



US00D487766S

(12) **United States Design Patent**
Tanaka

(10) **Patent No.:** **US D487,766 S**

(45) **Date of Patent:** **** Mar. 23, 2004**

(54) **CAMERA**

D471,575 S 3/2003 Katayama D16/209
D475,074 S * 5/2003 Shiotani D16/209

(75) Inventor: **Kunihiko Tanaka**, Tokyo (JP)

* cited by examiner

(73) Assignee: **Fuji Photo Film Co., Ltd.**, Kanagawa (JP)

Primary Examiner—Adir Aronovich
(74) *Attorney, Agent, or Firm*—Young & Thompson

(**) Term: **14 Years**

(57) **CLAIM**

(21) Appl. No.: **29/180,820**

The ornamental design for a camera, as shown and described.

(22) Filed: **May 1, 2003**

(30) **Foreign Application Priority Data**

DESCRIPTION

Nov. 8, 2002 (JP) 2002-030800

FIG. 1 is a top, front, and side perspective view of a camera showing my new design;

(51) **LOC (7) Cl.** **16-05**

FIG. 2 is a front elevational view thereof;

(52) **U.S. Cl.** **D16/219; D16/209**

FIG. 3 is a top plan view thereof;

(58) **Field of Search** D16/200–205,
D16/208, 209, 218, 219; 396/60, 535, 536–541

FIG. 4 is a bottom plan view thereof;

FIG. 5 is a side elevational view thereof from the left of FIG. 2;

(56) **References Cited**

FIG. 6 is a side elevational view thereof from the right of FIG. 2; and,

U.S. PATENT DOCUMENTS

FIG. 7 is a view similar to FIG. 1 but with the parts in a different position.

- 4,924,248 A * 5/1990 Taniguchi et al. 396/60
- D352,518 S * 11/1994 Fukushima et al. D16/209
- D438,230 S * 2/2001 Hamamura D16/219
- D440,590 S * 4/2001 Yoshida D16/209
- D449,631 S * 10/2001 Hayashi D16/209
- D463,471 S 9/2002 Tanaka D16/209
- D471,221 S 3/2003 Katayama D16/209

The portions of the camera in broken lines are shown for illustrative purposes only and form no part of the claimed design.

1 Claim, 4 Drawing Sheets

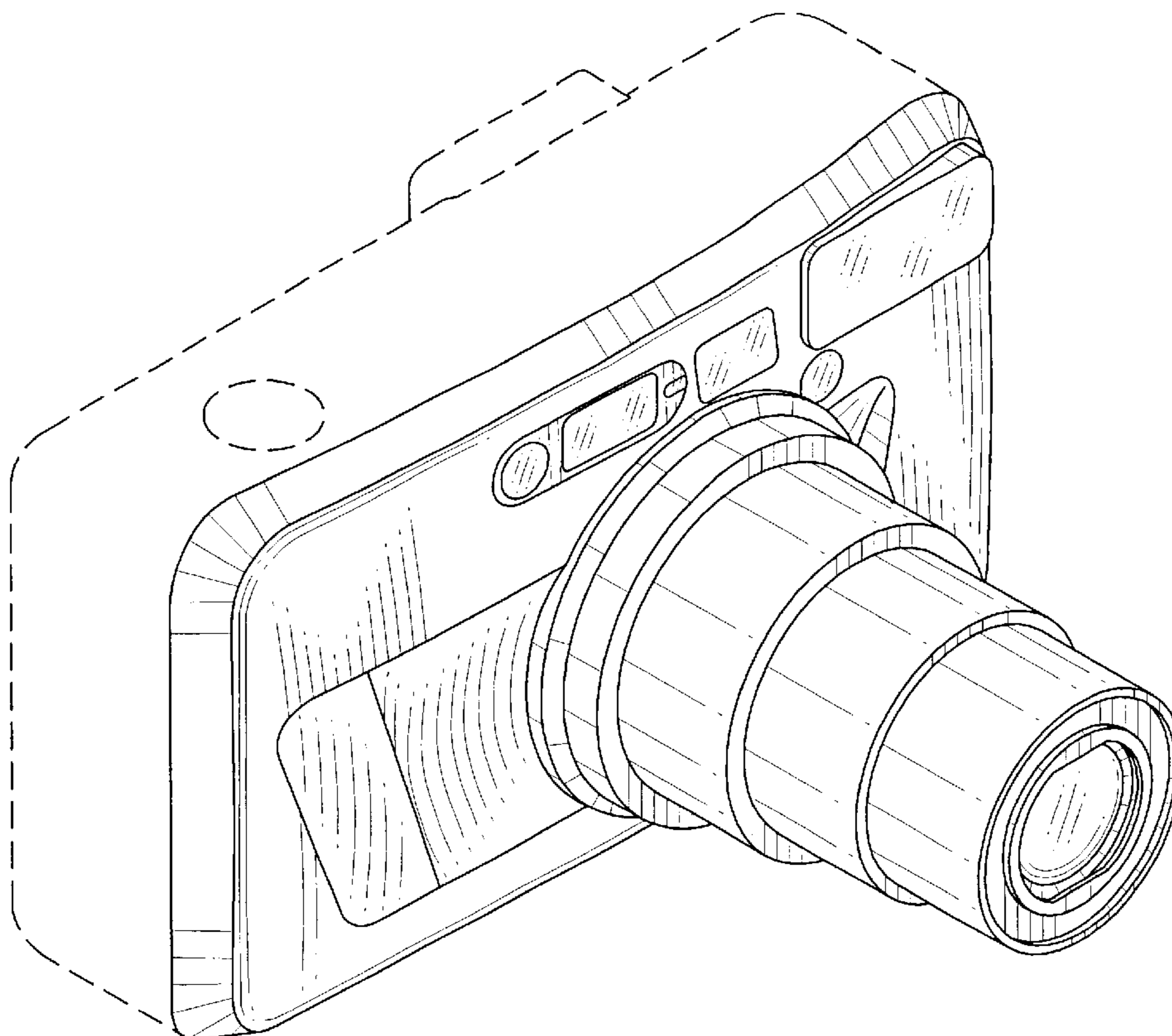


FIG. 1

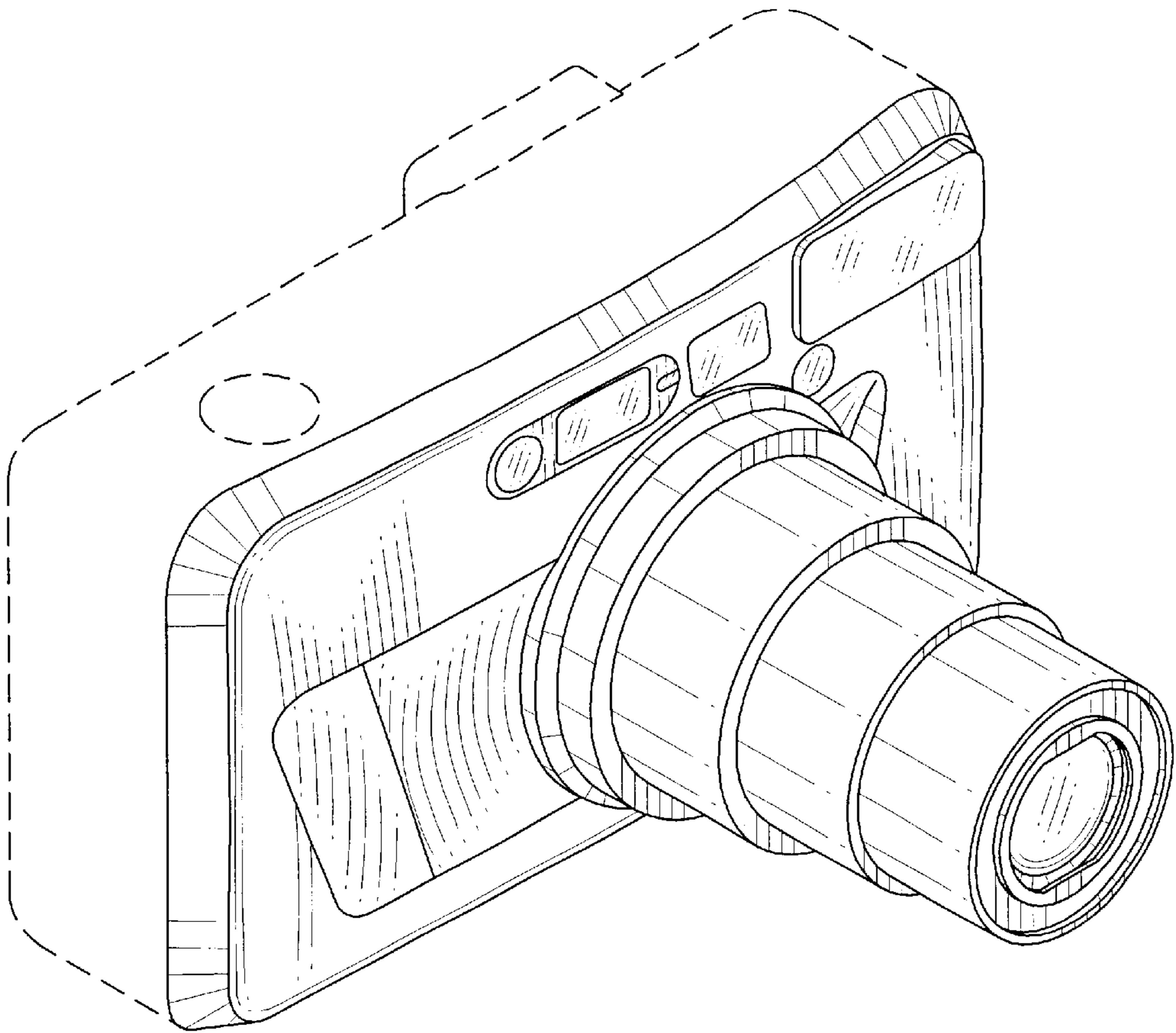


FIG. 2

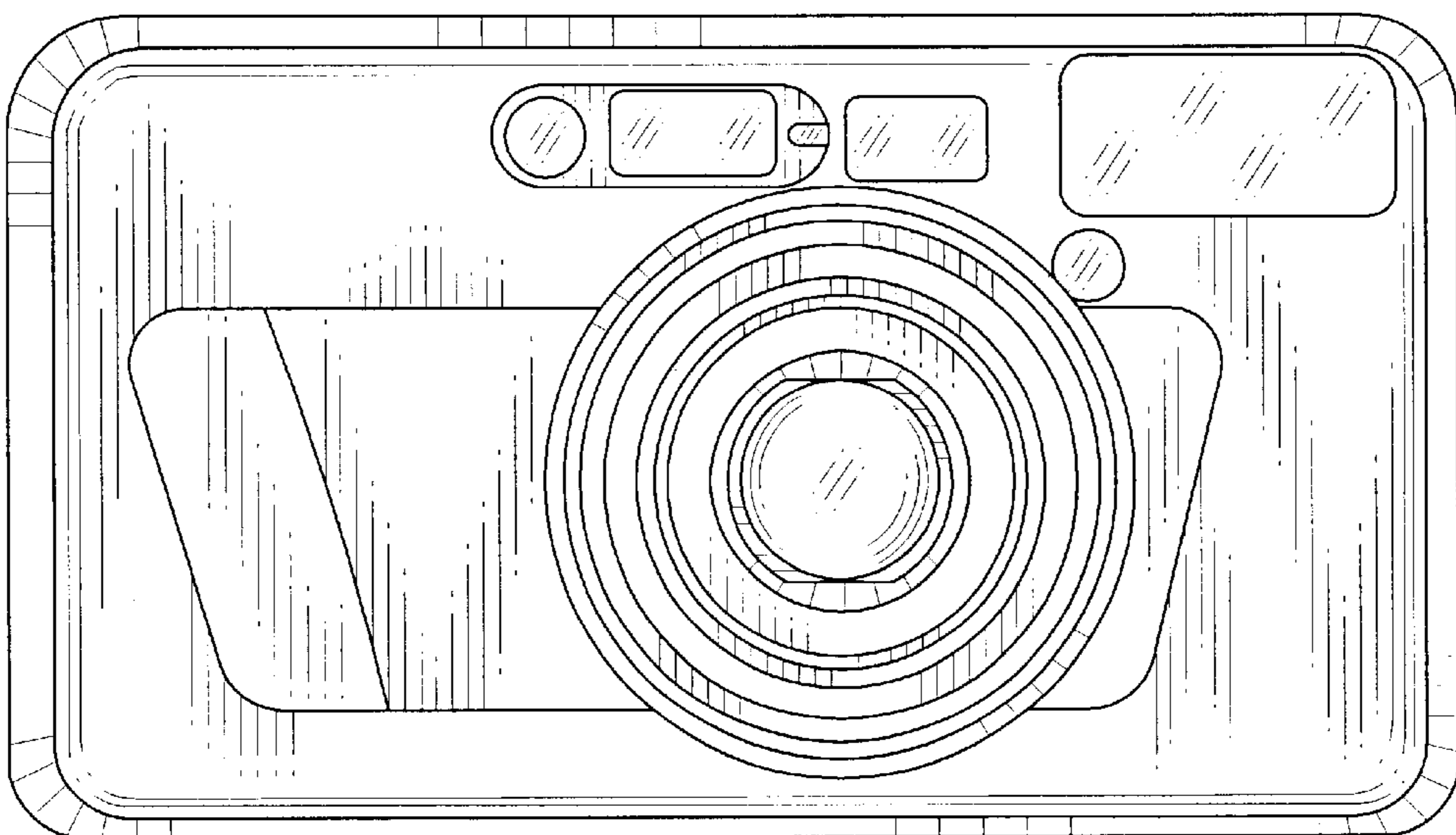


FIG. 3

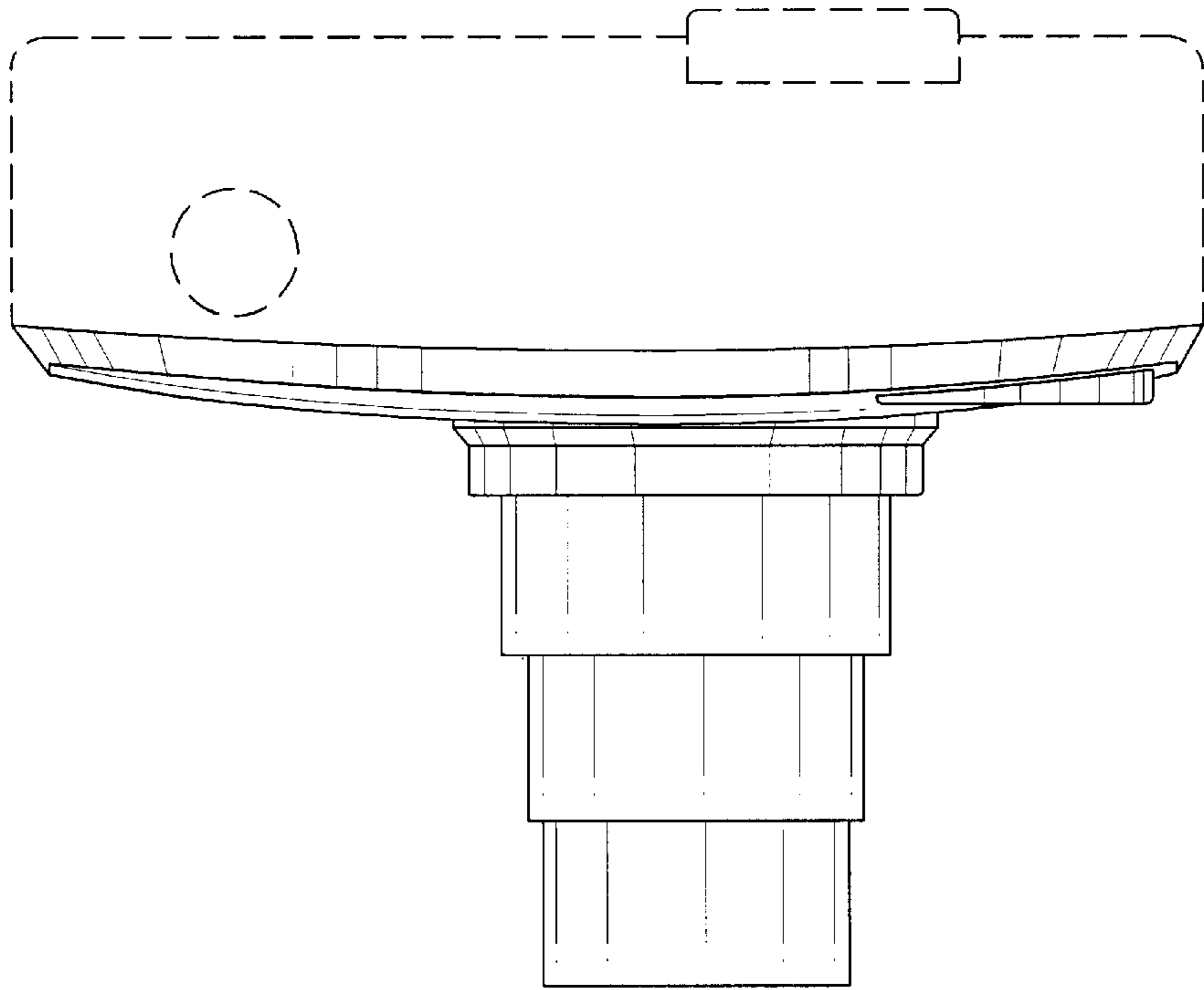


FIG. 4

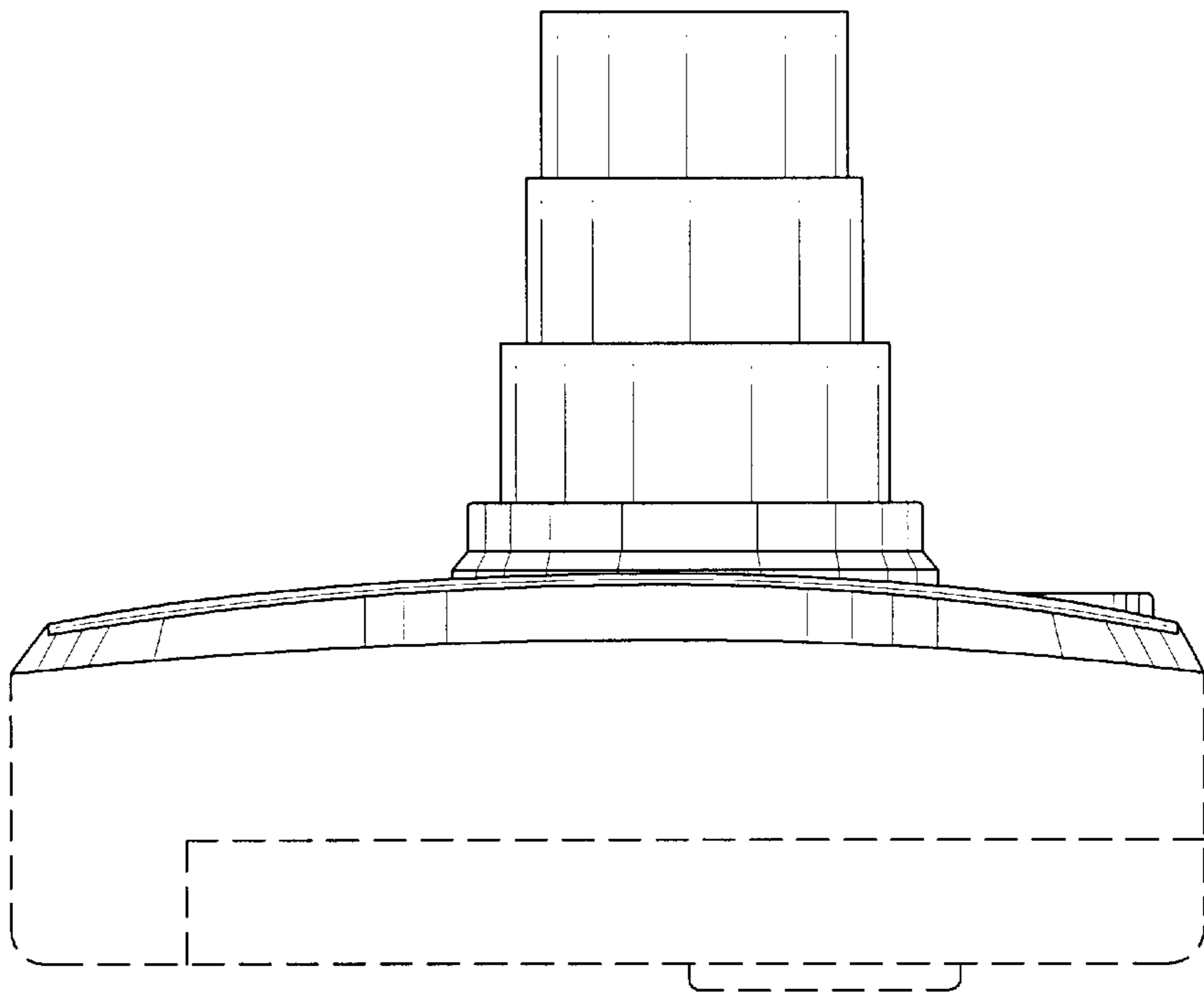


FIG. 5

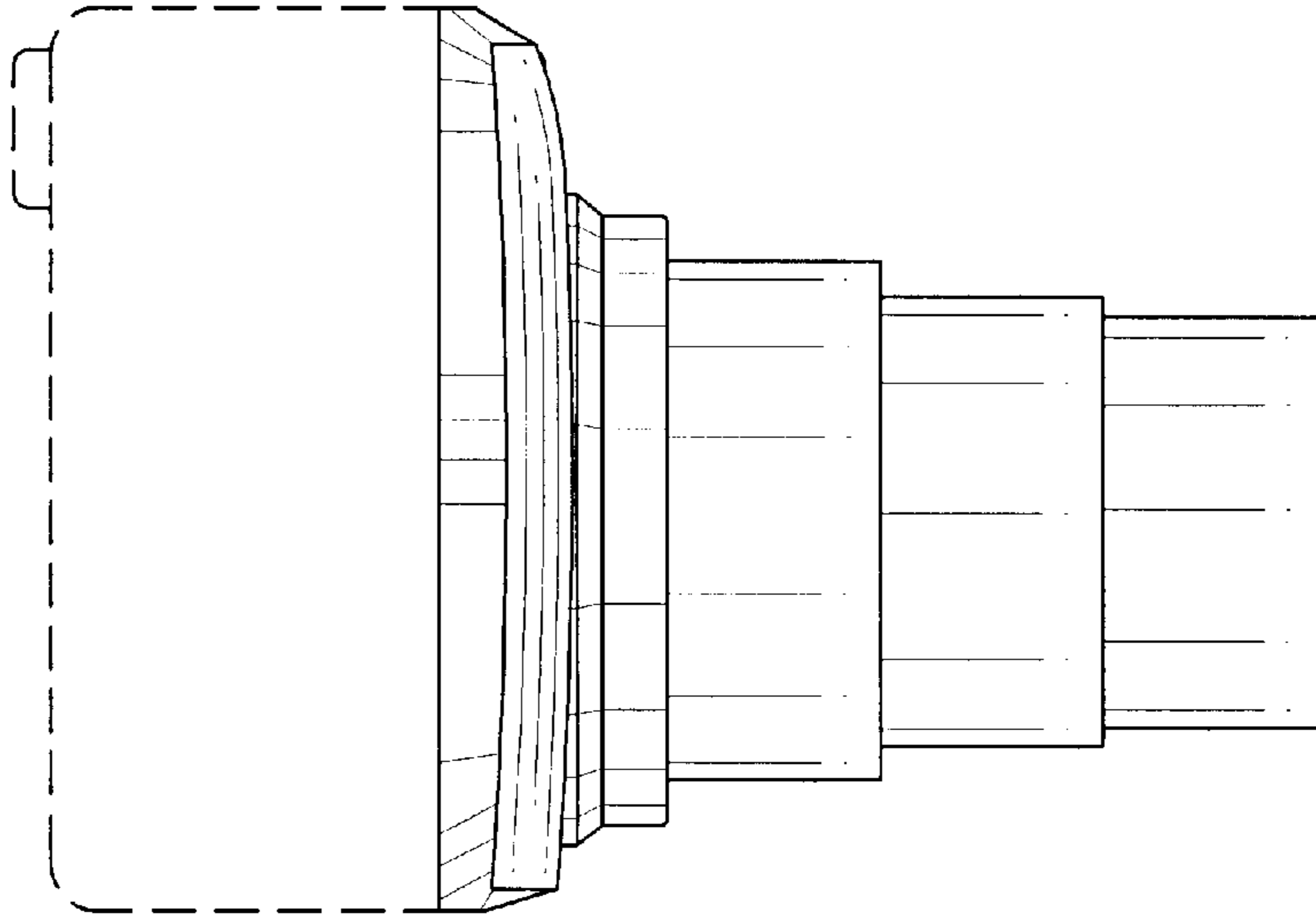


FIG. 6

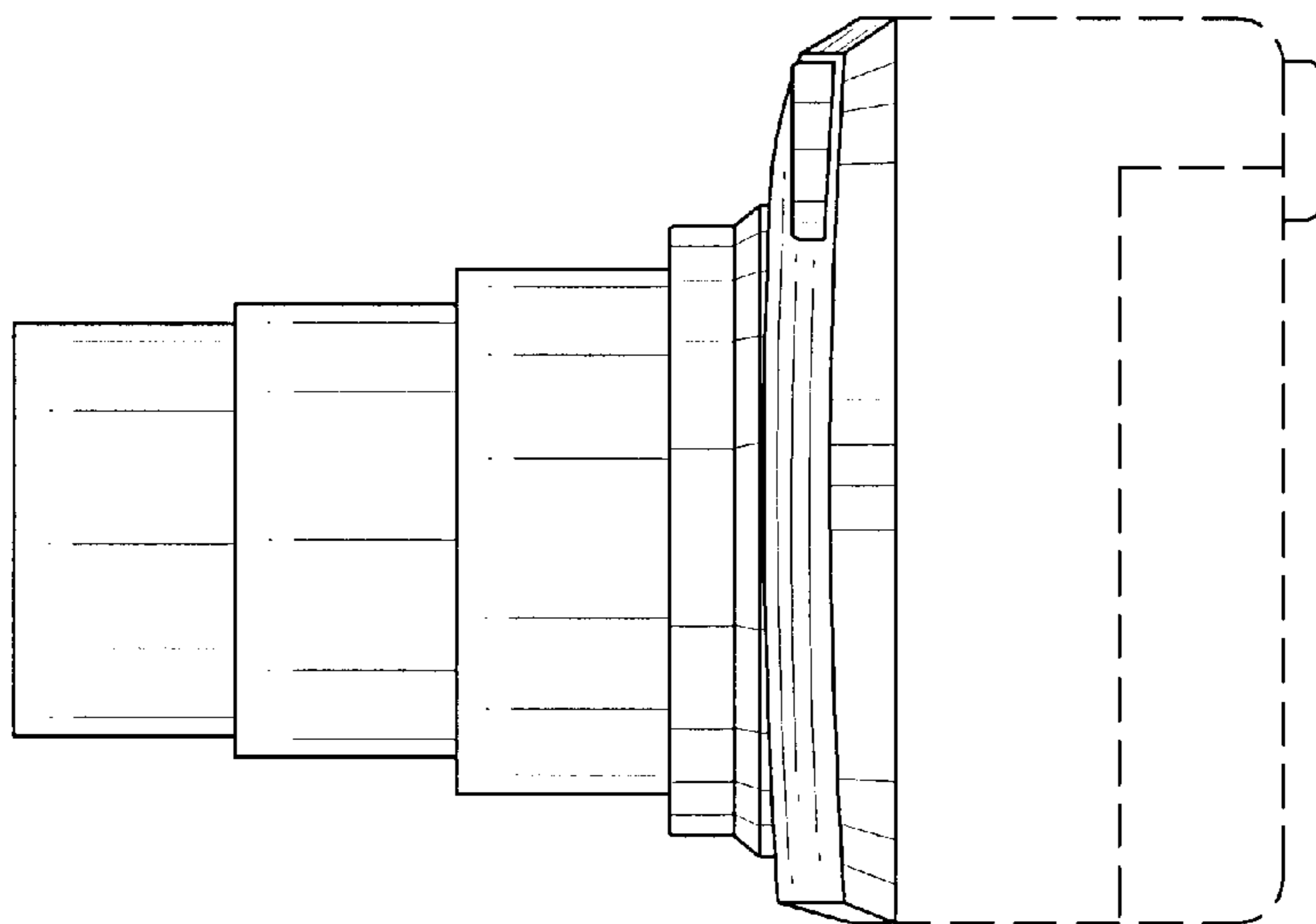


FIG. 7

