



US00D487765S

(12) **United States Design Patent**  
**Dow et al.**

(10) **Patent No.:** **US D487,765 S**

(45) **Date of Patent:** **\*\* Mar. 23, 2004**

(54) **CAMERA**

D457,907 S \* 5/2002 Kondo ..... D16/209

(75) Inventors: **James Dow**, Ft. Collins, CO (US);  
**Kevin Allen**, Ft. Collins, CO (US);  
**Paolo Fontani**, Ft. Collins, CO (US)

\* cited by examiner

*Primary Examiner*—Adir Aronovich

(73) Assignee: **Hewlett-Packard Development Company, L.P.**, Houston, TX (US)

(57) **CLAIM**

The ornamental design for a camera, as shown and described.

(\*\*) Term: **14 Years**

**DESCRIPTION**

(21) Appl. No.: **29/171,041**

FIG. 1 is a front and right side perspective view of a camera showing our new design;

(22) Filed: **Nov. 15, 2002**

FIG. 2 is a front elevation view thereof;

(51) **LOC (7) Cl.** ..... **16-01**

FIG. 3 is a right side elevation view thereof;

(52) **U.S. Cl.** ..... **D16/218; D16/202**

FIG. 4 is a rear elevation view thereof;

(58) **Field of Search** ..... D16/200–204,  
D16/205, 208, 209, 218; 348/373–376;  
358/906, 909.1; 396/6, 419, 535–541

FIG. 5 is a left side elevation view thereof;

FIG. 6 is a top plan view thereof; and,

FIG. 7 is a bottom plan view thereof.

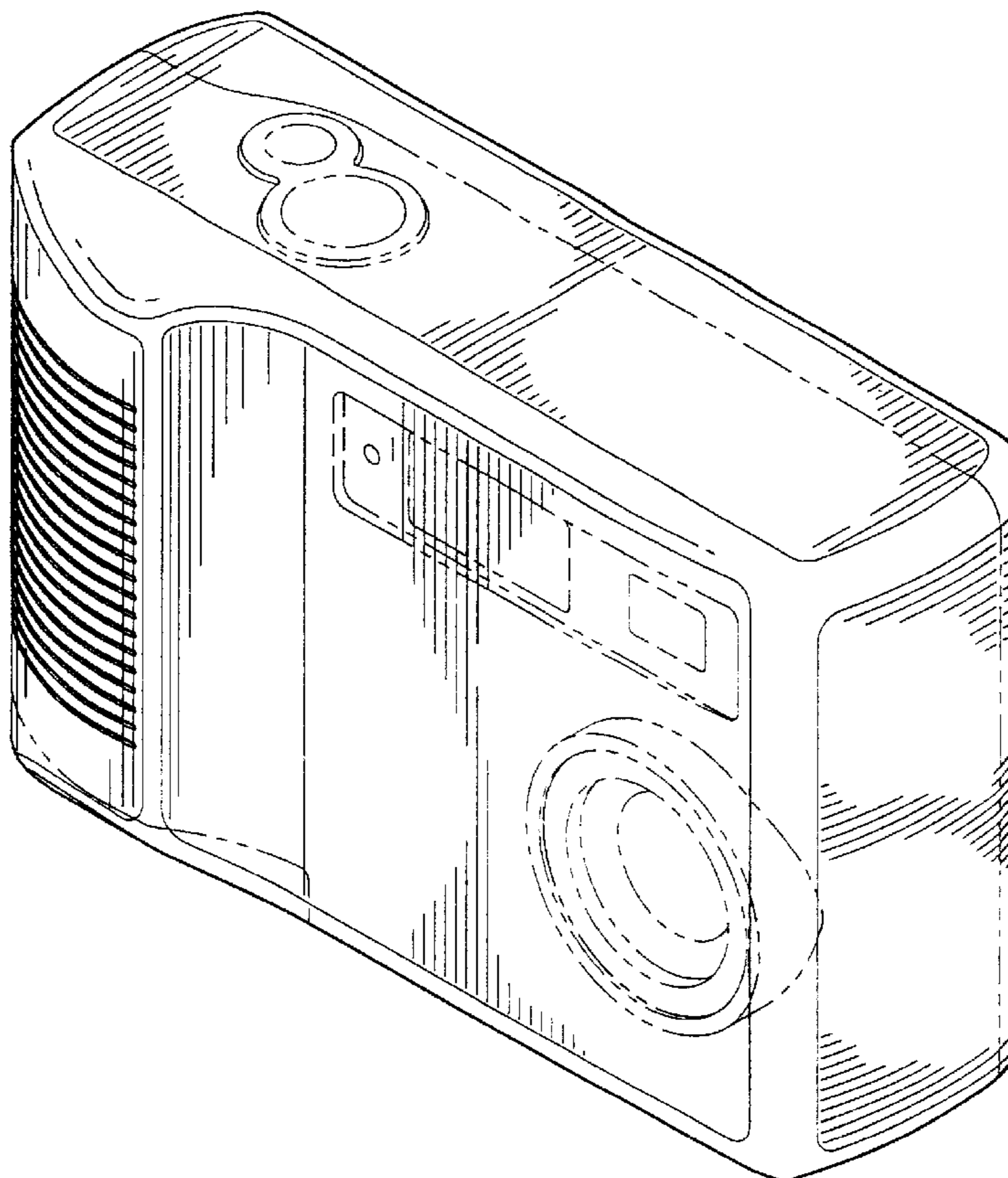
(56) **References Cited**

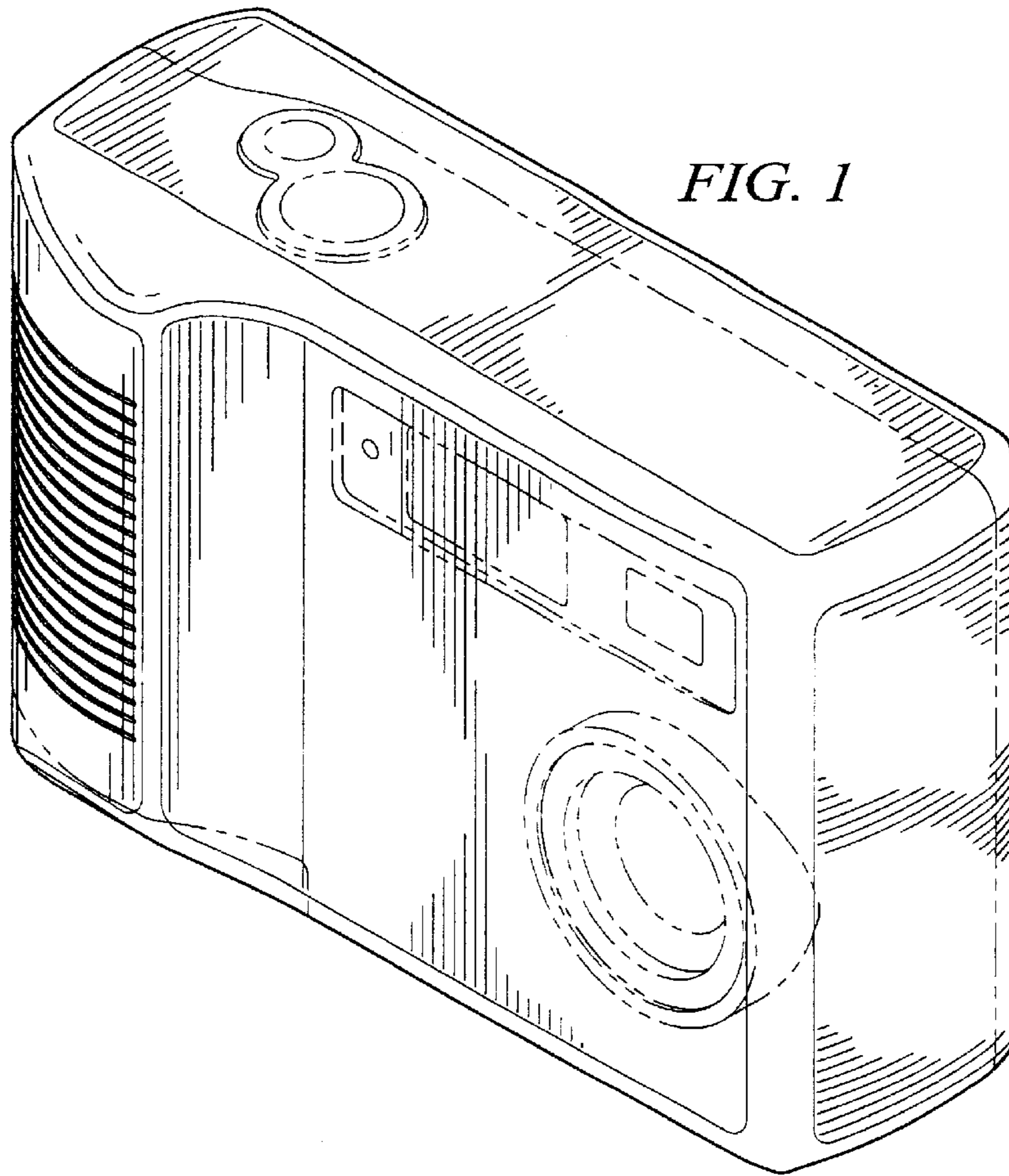
It should be understood that the labels used herein for describing orientation (e.g., front, back, top, bottom, right, and left) are merely for reference, and the design may be disposed in any manner and still be within the scope of the present invention. The portions of the article in broken lines are shown for illustrative purposes only and form no part of the claimed design.

**U.S. PATENT DOCUMENTS**

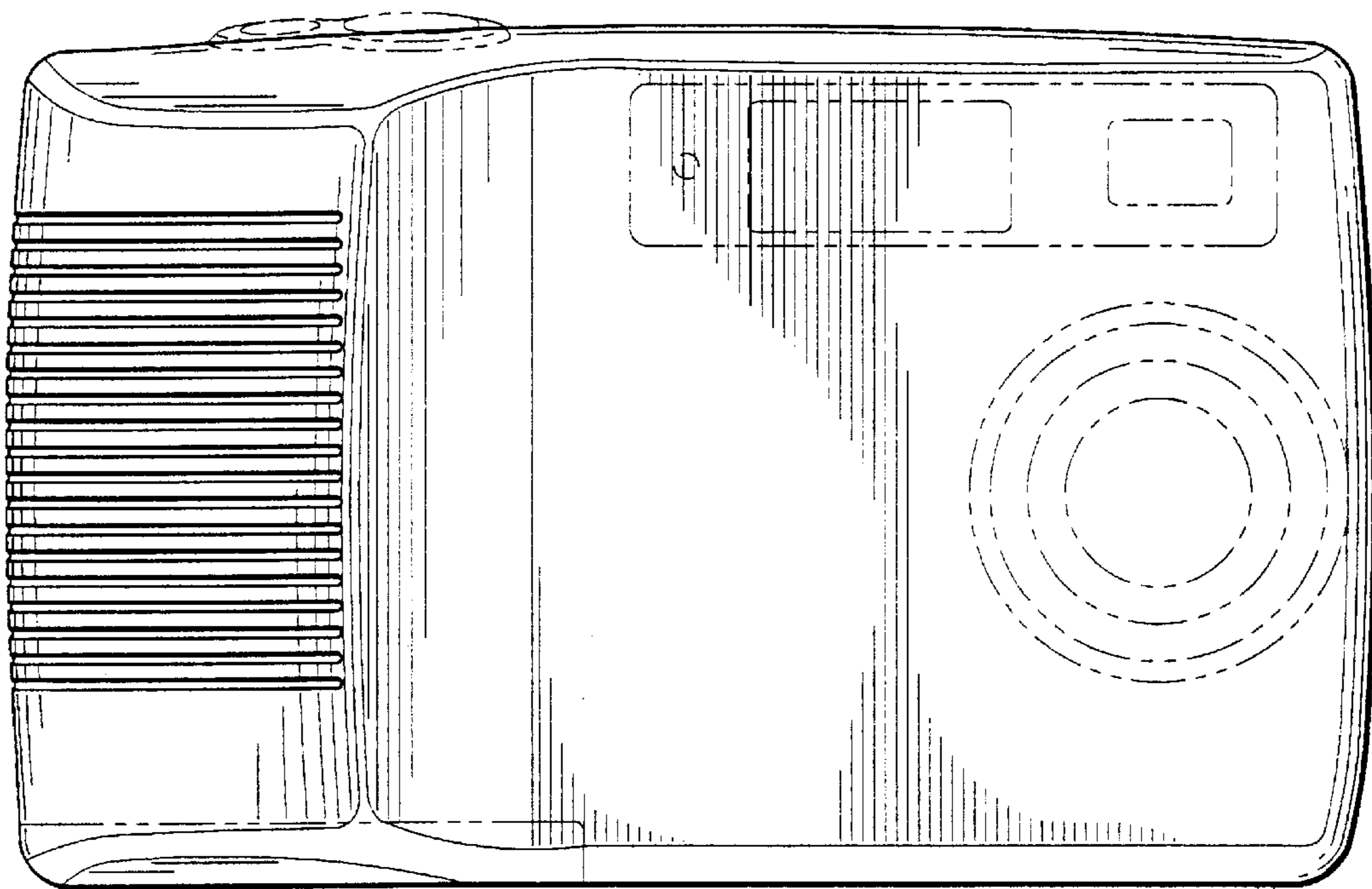
4,456,931	A	*	6/1984	Toyoda et al.	.....	358/906
5,223,878	A	*	6/1993	Shintani et al.	.....	396/419
D412,517	S	*	8/1999	Hayamizu	.....	D16/209
D430,185	S	*	8/2000	Eto et al.	.....	D16/218
D431,583	S	*	10/2000	Matsuda	.....	D16/202

**1 Claim, 3 Drawing Sheets**





*FIG. 1*



*FIG. 2*

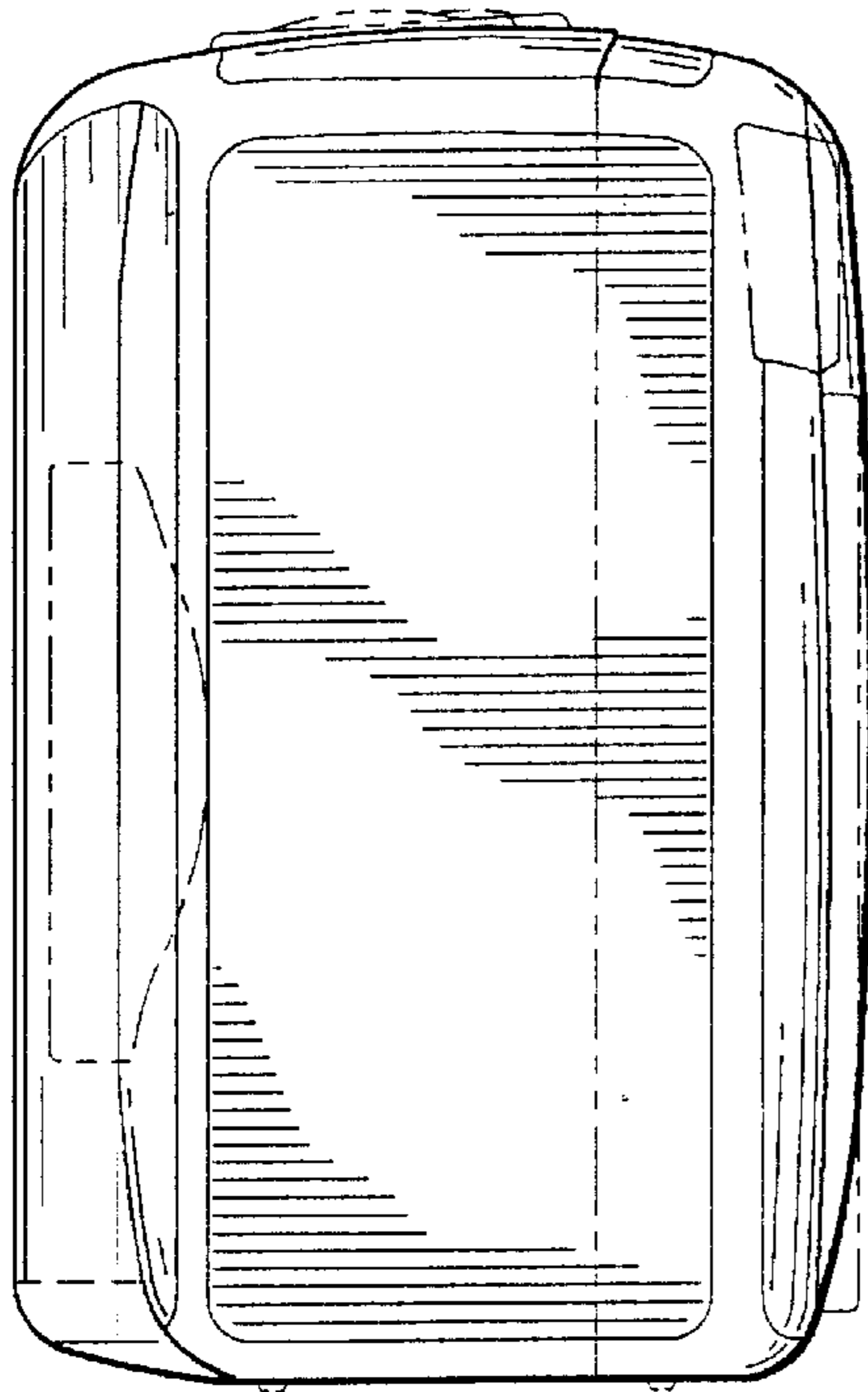


FIG. 3

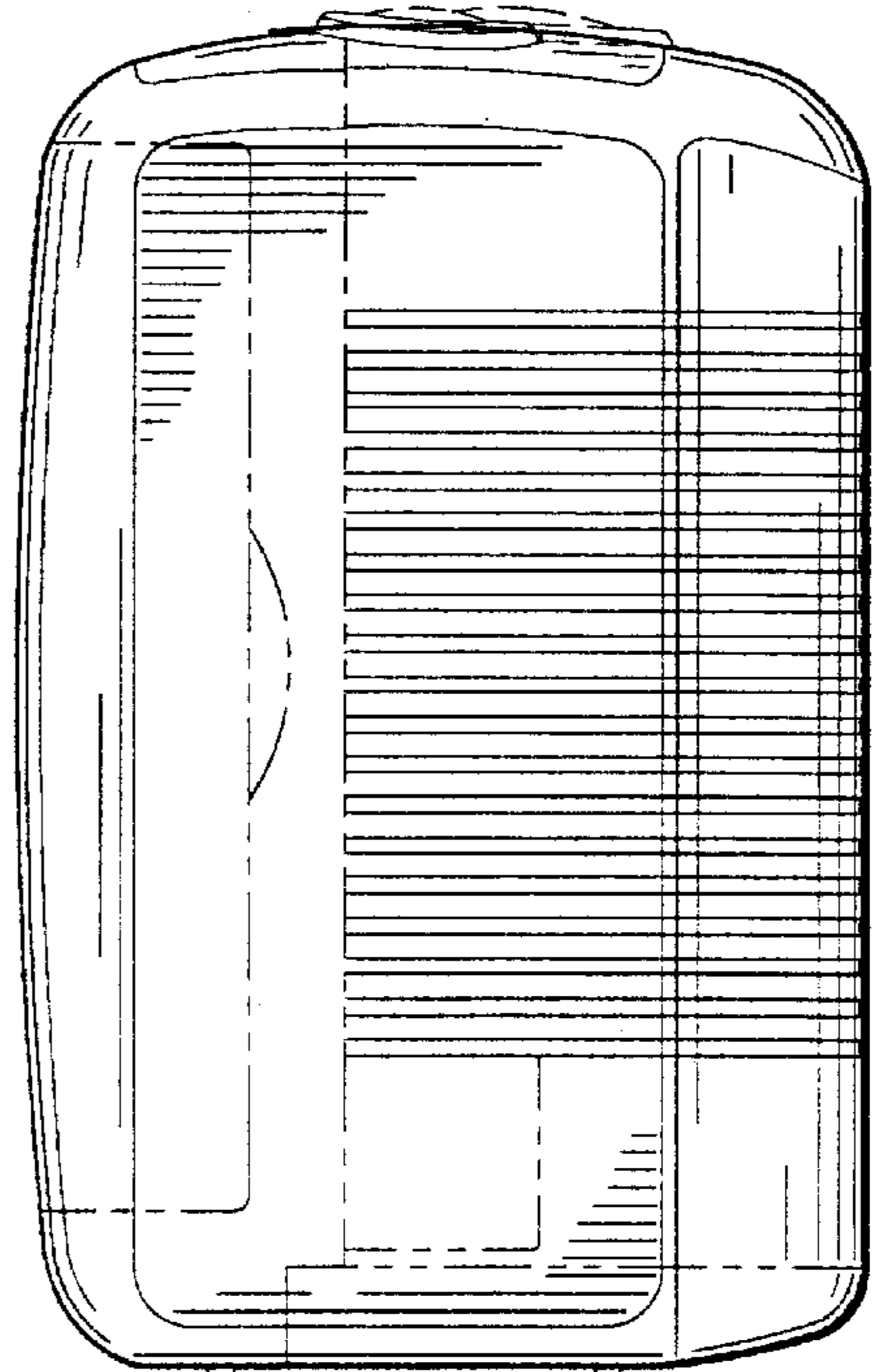


FIG. 5

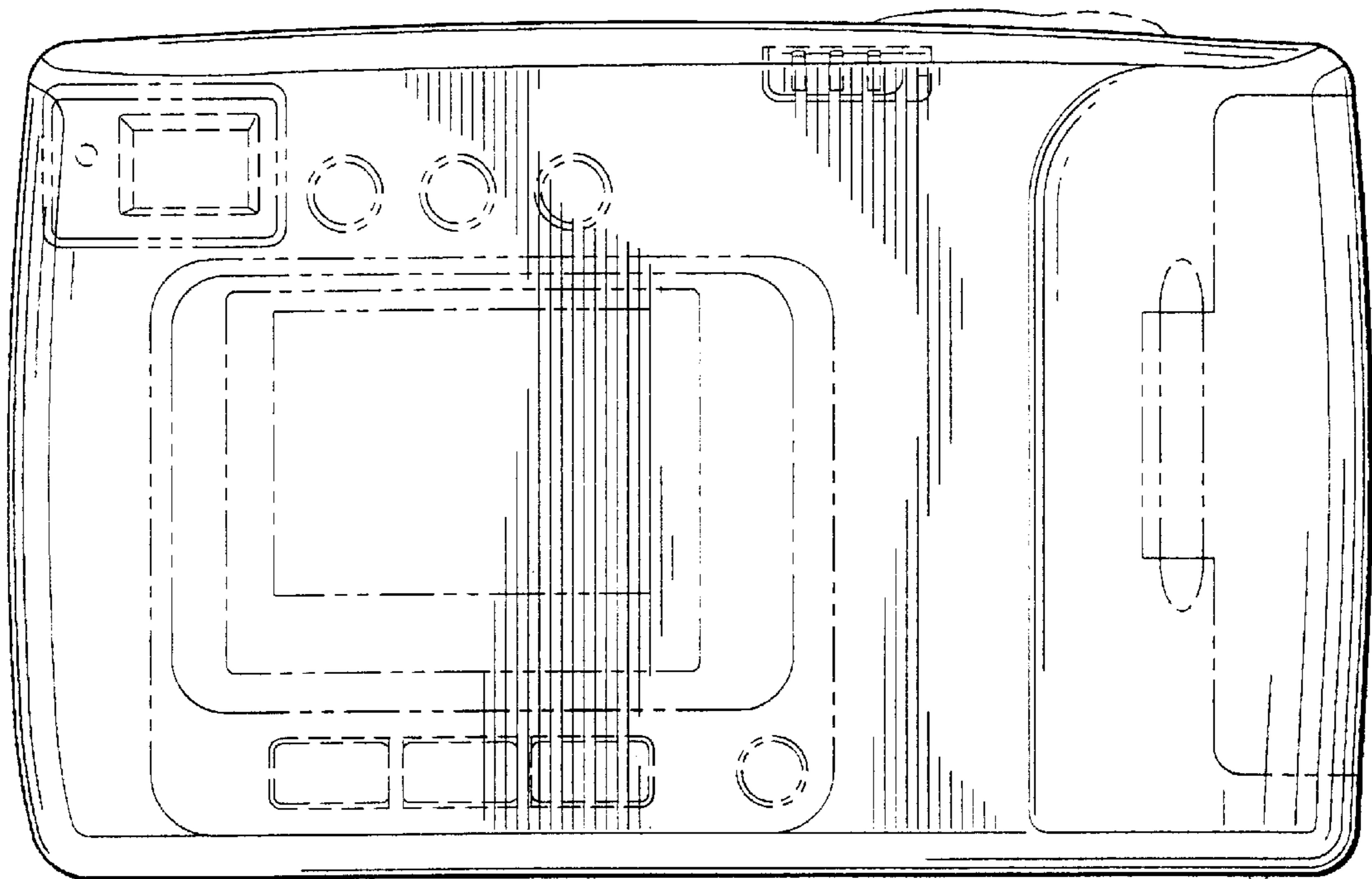


FIG. 4

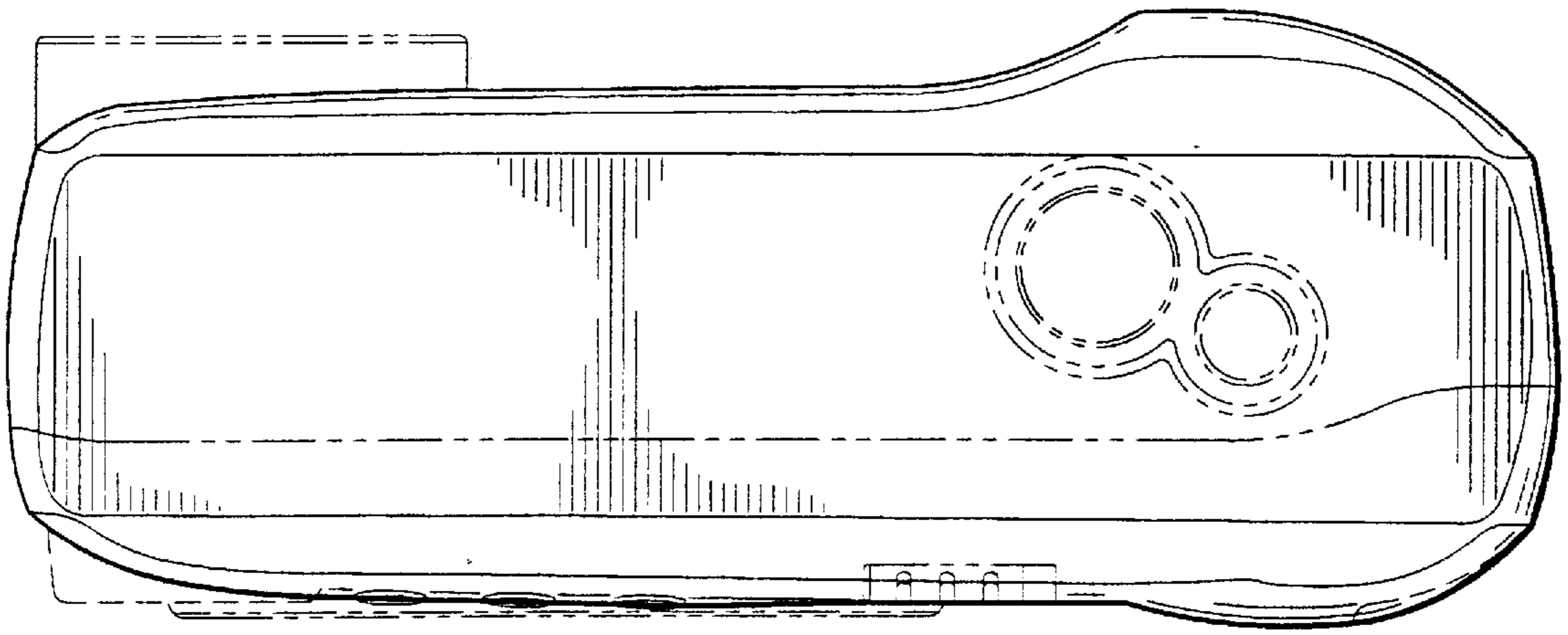


FIG. 6

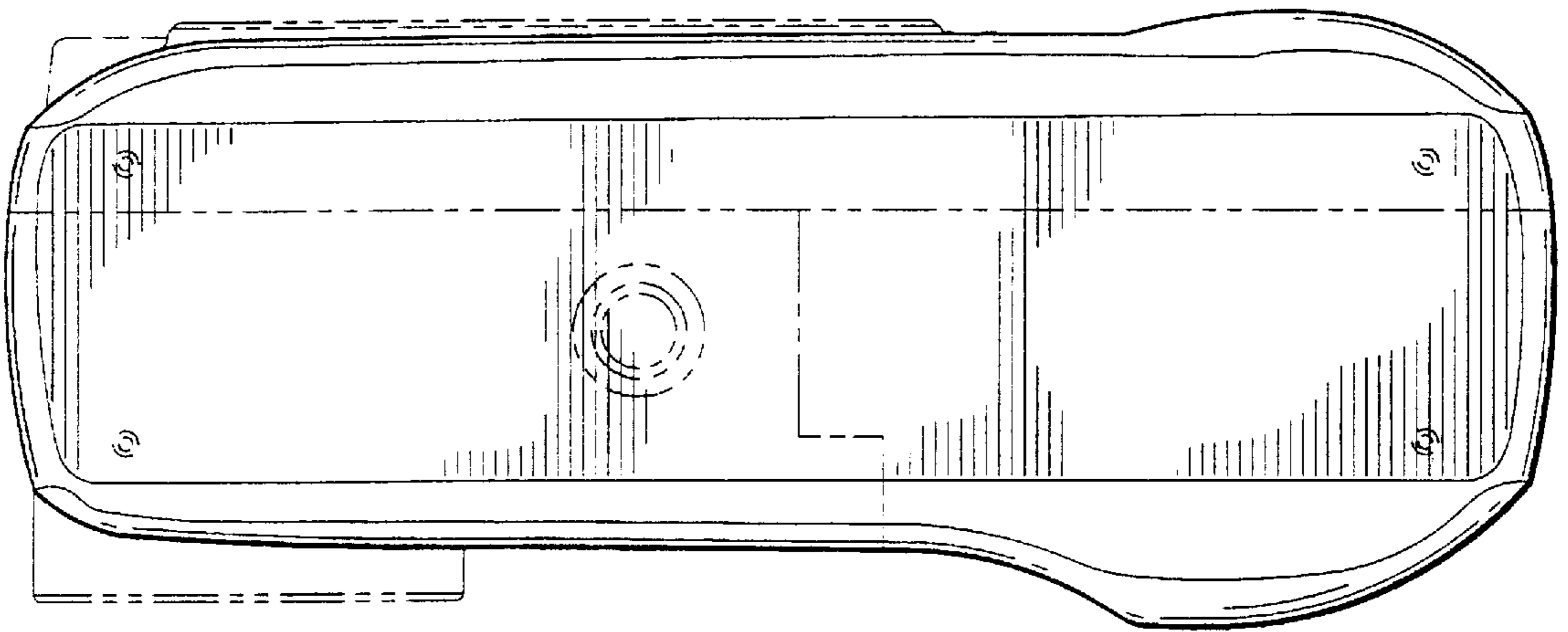


FIG. 7