



US00D487763S

(12) **United States Design Patent**
Miyashita

(10) **Patent No.:** **US D487,763 S**

(45) **Date of Patent:** **** Mar. 23, 2004**

(54) **VIDEO CAMERA**

OTHER PUBLICATIONS

(75) Inventor: **Shin Miyashita**, Tokyo (JP)

(73) Assignee: **Sony Corporation**, Tokyo (JP)

(**) Term: **14 Years**

(21) Appl. No.: **29/180,080**

(22) Filed: **Apr. 21, 2003**

(51) **LOC (7) Cl.** **16-01**

(52) **U.S. Cl.** **D16/202**

(58) **Field of Search** D16/200–206,
D16/208, 218; 348/373–376; 358/906; 396/535–541

(56) **References Cited**

U.S. PATENT DOCUMENTS

| | | | | |
|-------------|---|---------|-----------------------|---------|
| 5,499,052 A | * | 3/1996 | Nakanishi et al. | 348/373 |
| D385,568 S | | 10/1997 | Harata | |
| D409,639 S | | 5/1999 | Sumita | |
| D414,792 S | | 10/1999 | Harata | |
| D415,778 S | | 10/1999 | Harata | |
| D416,928 S | | 11/1999 | Sumita | |
| D435,056 S | * | 12/2000 | Harata | D16/202 |
| D435,261 S | * | 12/2000 | Nakamura | D16/202 |
| D456,434 S | * | 4/2002 | Yamazaki | D16/202 |
| D467,601 S | * | 12/2002 | Kojima et al. | D16/202 |
| D476,022 S | * | 6/2003 | Sumita | D16/202 |

FOREIGN PATENT DOCUMENTS

JP D1148210 A1 7/2002

Web page “NV – GS5K,” <http://proddb.matsushita.co.jp/products/panasonic/NV/NV-GS5K.html>, 2 sheets, Matsushita Electronic Corporation (Dec. 2002).

Web page NV – GX7K, <http://proddb.matsushita.co.jp/products/panasonic/NV/NV-GX7K.html>, 2 sheets, Matsushita Electronic Corporation (Dec. 2002).

* cited by examiner

Primary Examiner—Adir Aronovich

(74) *Attorney, Agent, or Firm*—Rader, Fishman & Grauer PLLC

(57) **CLAIM**

The ornamental design for a video camera, as shown.

DESCRIPTION

FIG. 1 is a perspective view of a video camera showing my new design;

FIG. 2 is a front elevational view thereof;

FIG. 3 is a rear elevational view thereof;

FIG. 4 is a left side elevational view thereof;

FIG. 5 is a right side elevational view thereof;

FIG. 6 is a top plan view thereof; and,

FIG. 7 is a bottom plan view thereof.

1 Claim, 4 Drawing Sheets

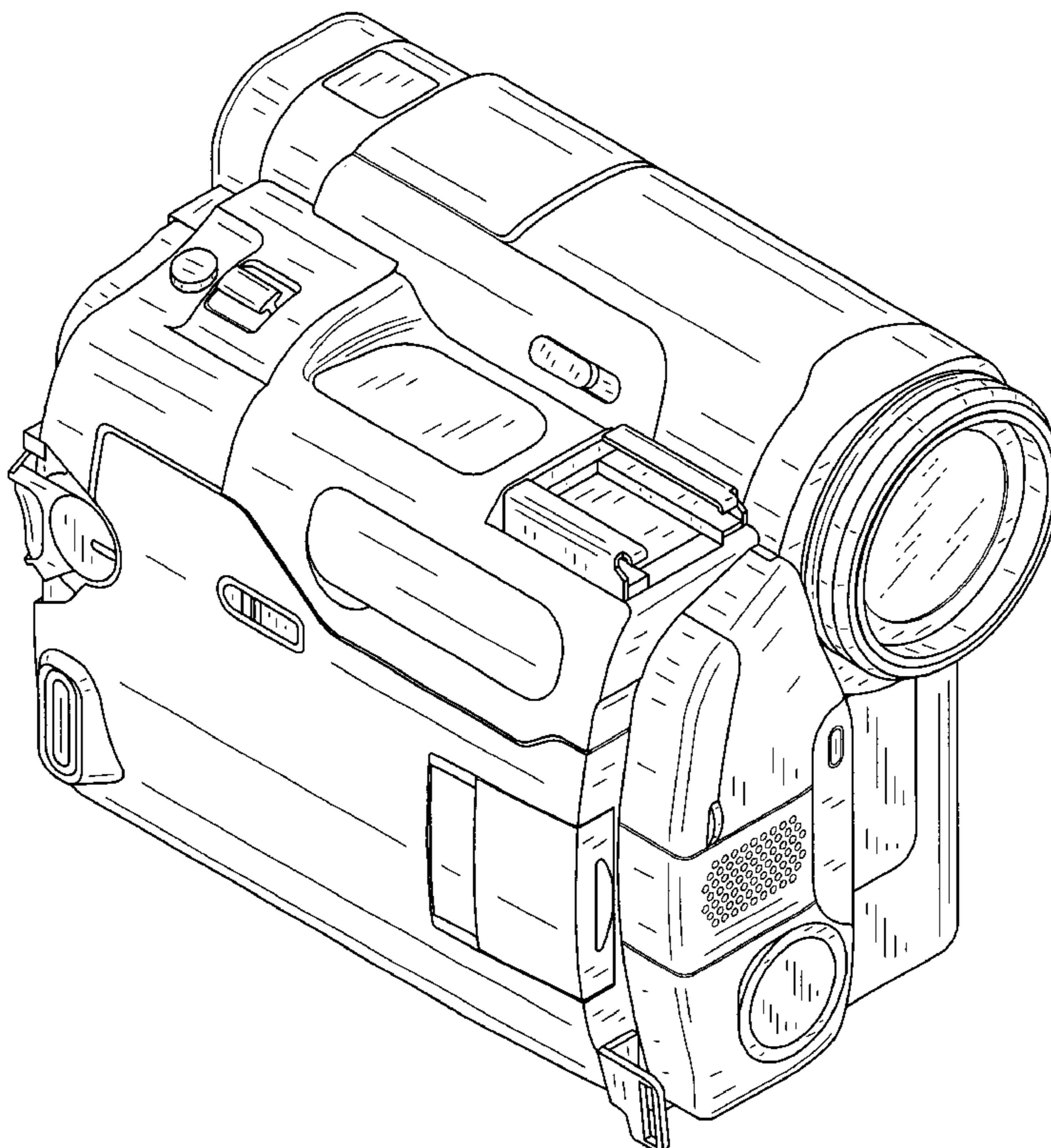


FIG. 1

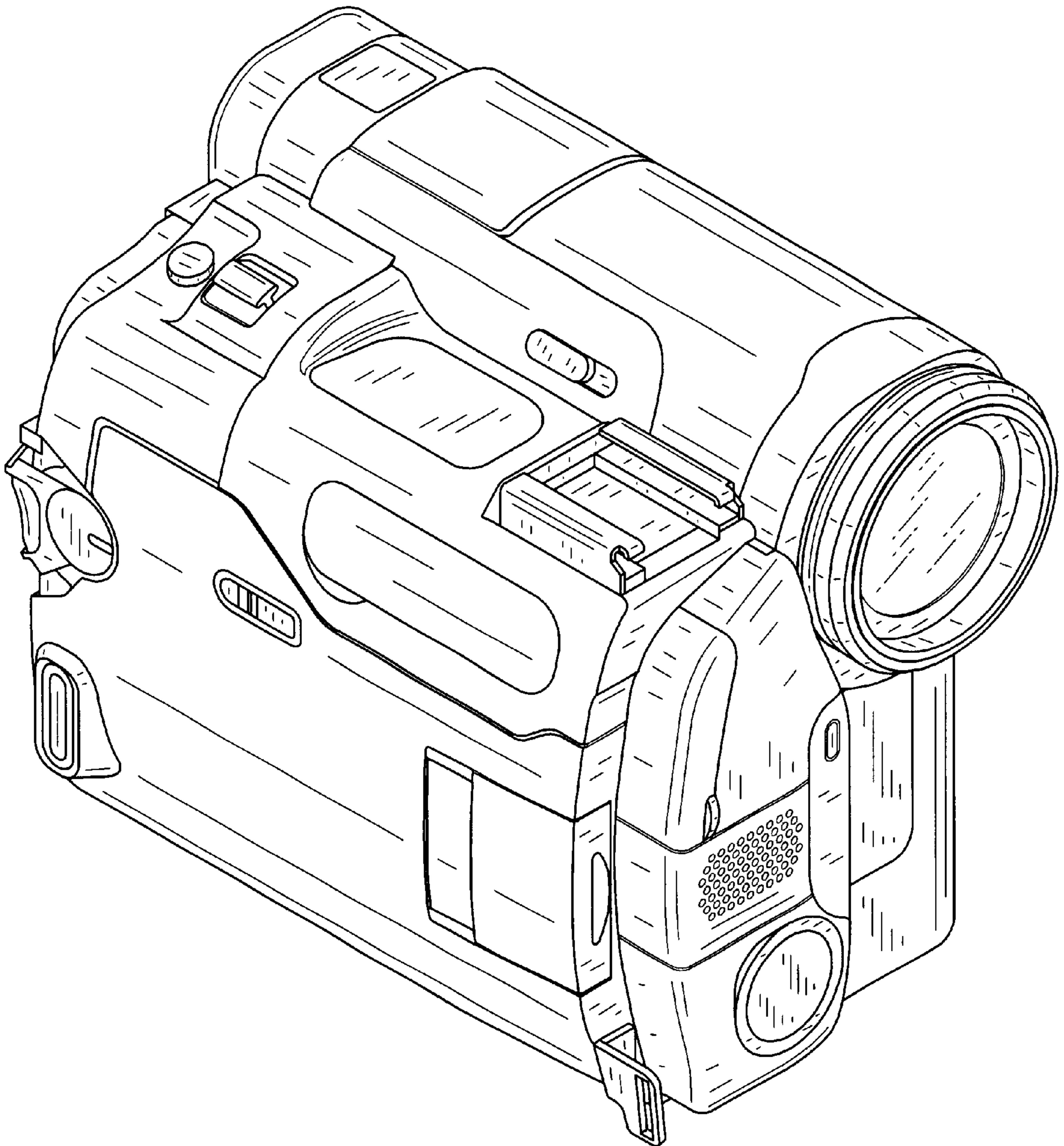


FIG. 2

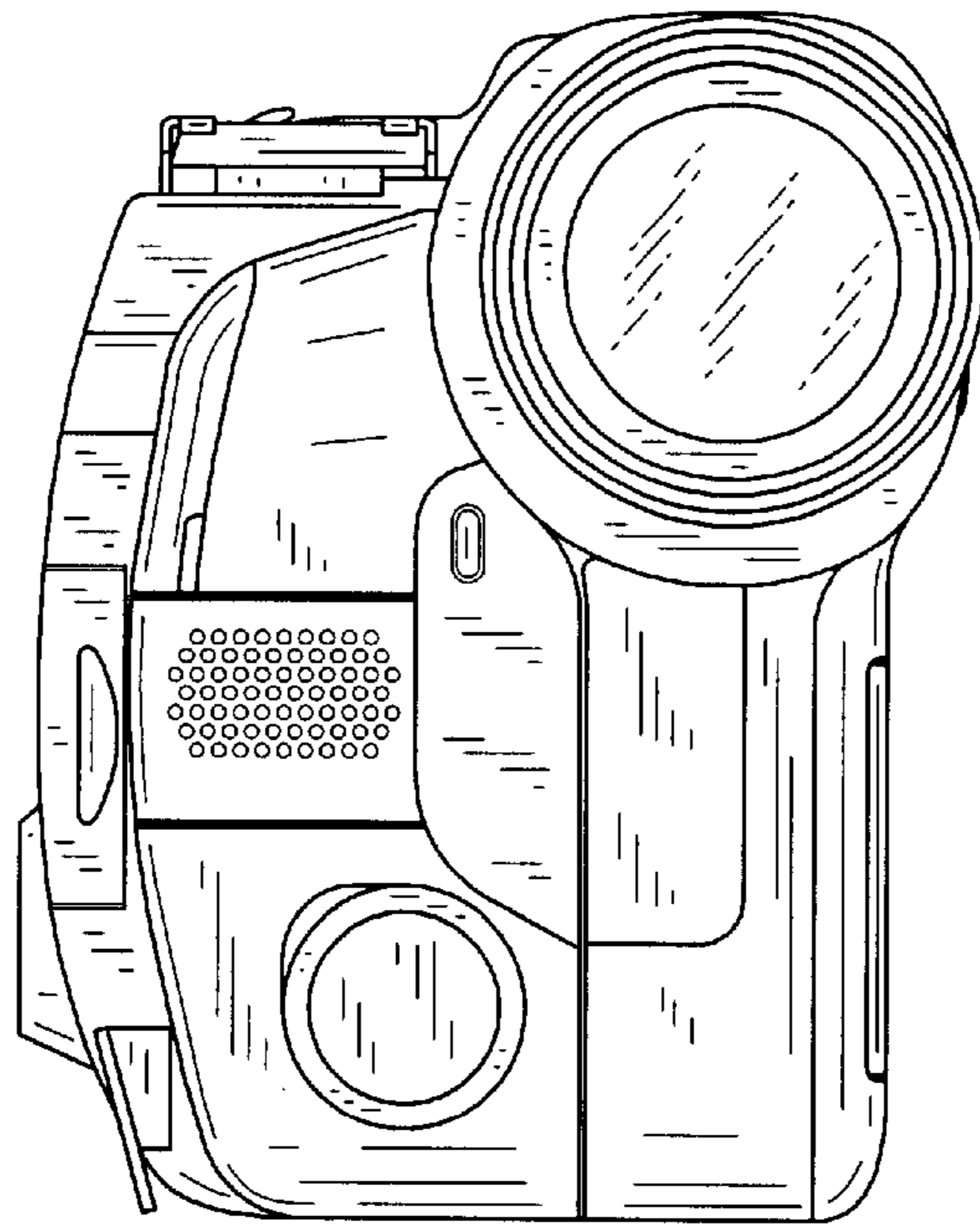


FIG. 3

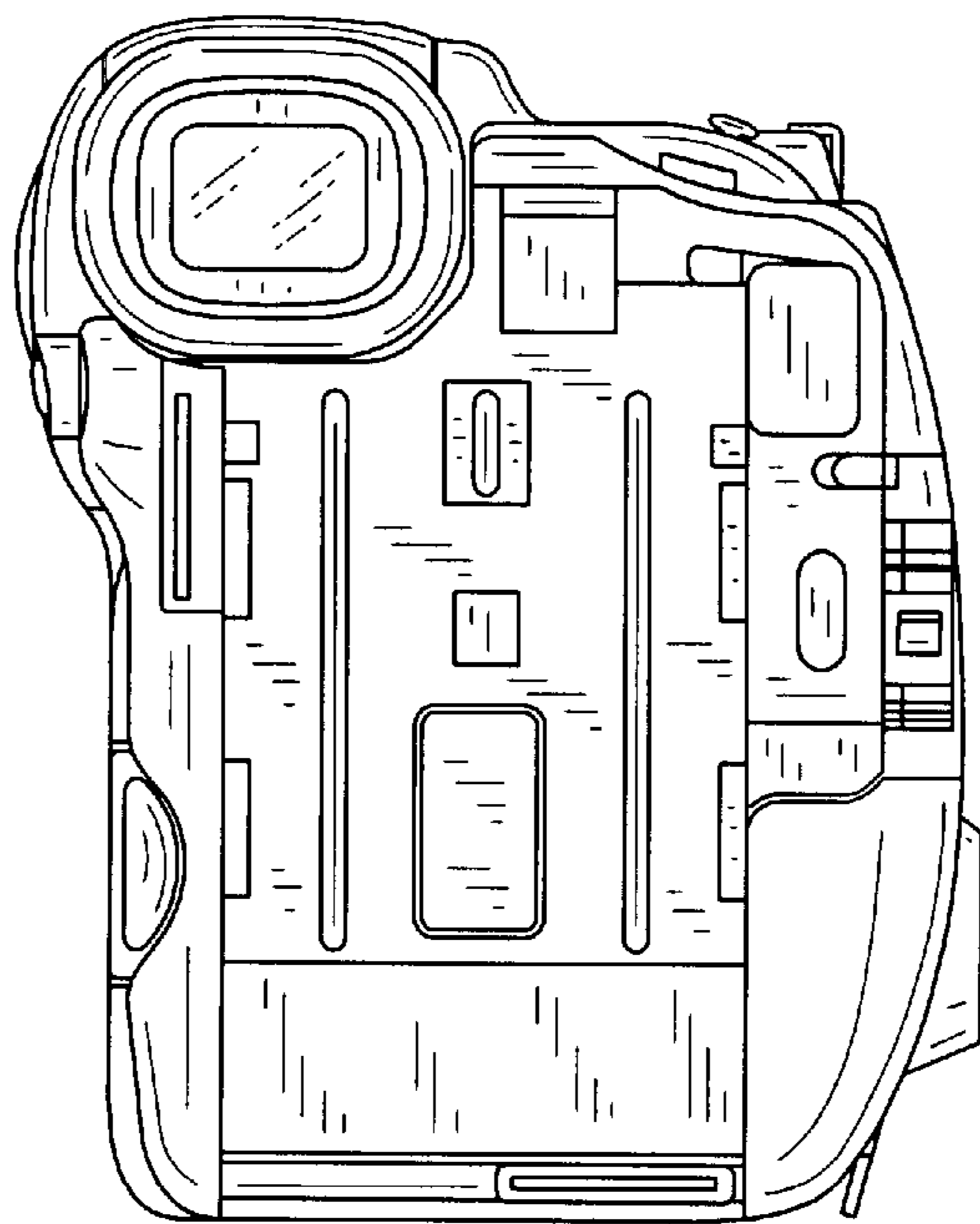


FIG. 4

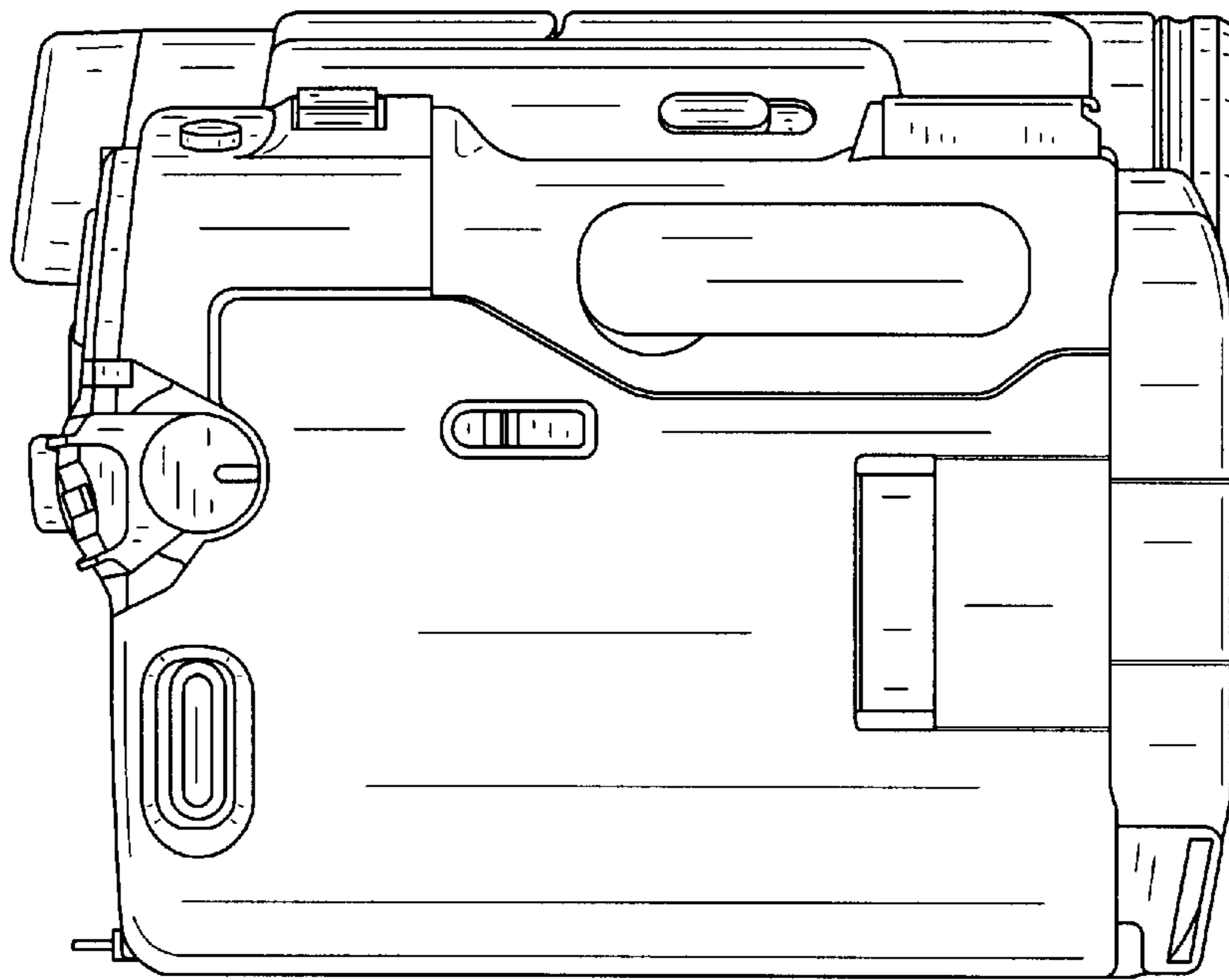


FIG. 5

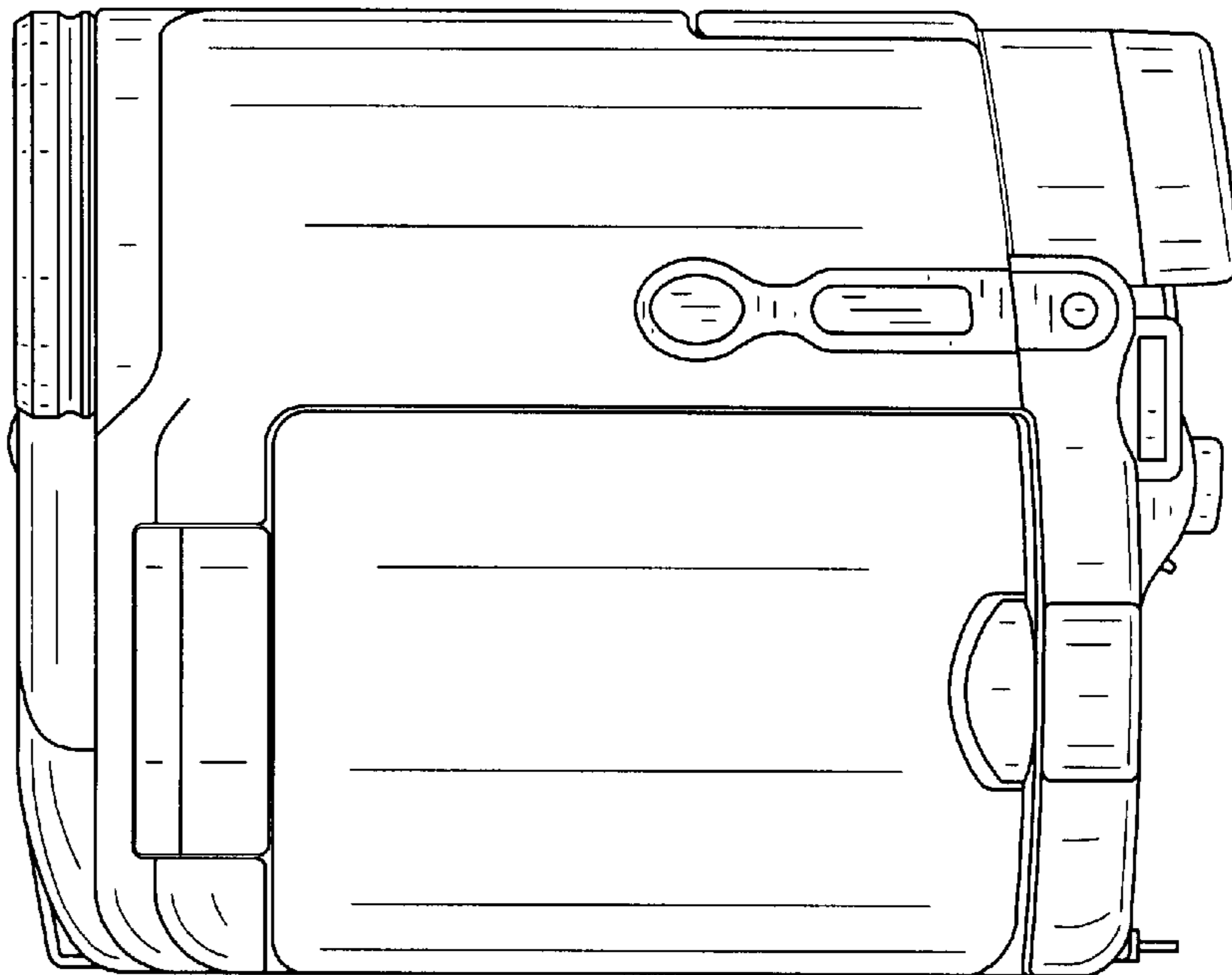


FIG. 6

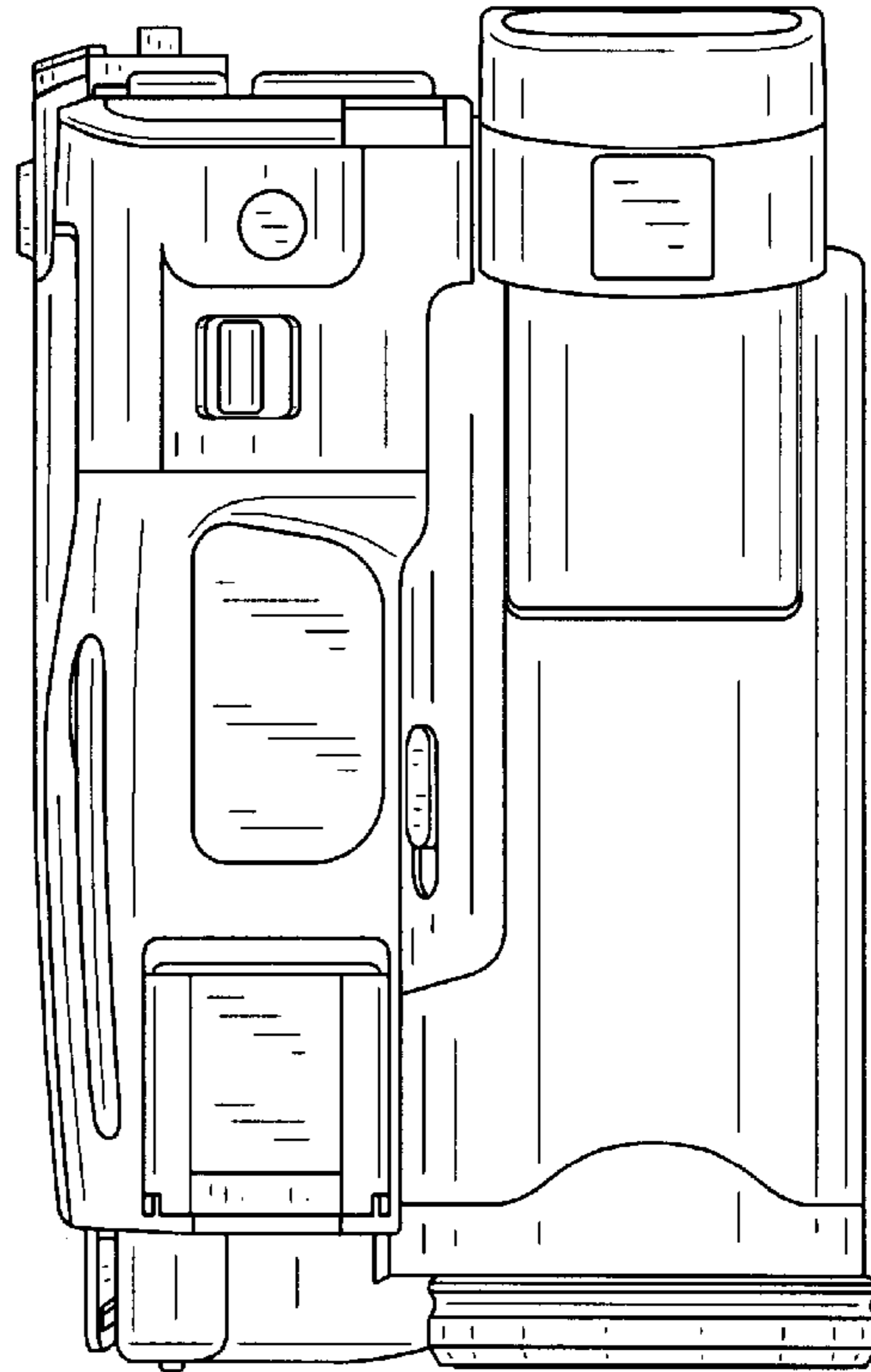


FIG. 7

