



US00D487761S

(12) **United States Design Patent**
Hamamura

(10) **Patent No.:** **US D487,761 S**

(45) **Date of Patent:** **** Mar. 23, 2004**

(54) **BINOCULARS**

D430,586 S * 9/2000 Inaba D16/133
D473,247 S * 4/2003 Koinuma D16/133

(75) Inventor: **Toshihiro Hamamura**, Tokyo (JP)

* cited by examiner

(73) Assignee: **Pentax Corporation**, Tokyo (JP)

Primary Examiner—Paula A. Mortimer

(**) Term: **14 Years**

(74) *Attorney, Agent, or Firm*—Sughrue Mion, PLLC

(21) Appl. No.: **29/182,048**

(57) **CLAIM**

(22) Filed: **May 20, 2003**

The ornamental design for a binoculars, as shown and described.

(30) **Foreign Application Priority Data**

DESCRIPTION

Nov. 20, 2002 (JP) 2002-031977

(51) **LOC (7) Cl.** **16-06**

(52) **U.S. Cl.** **D16/133**

(58) **Field of Search** D16/130, 132,
D16/133; 359/407, 408, 409, 410, 411,
412, 413, 414, 415, 416, 417, 418

FIG. 1 is a perspective view of the top, front and right side of binoculars showing my new design;
FIG. 2 is a front elevational view thereof;
FIG. 3 is a top plan view thereof;
FIG. 4 is a right side elevational view thereof;
FIG. 5 is a left side elevational view thereof;
FIG. 6 is a rear elevational view thereof; and,
FIG. 7 is a bottom plan view.

(56) **References Cited**

The elements shown in broken lines are for illustrative purposes only and do not form any part of the claimed design.

U.S. PATENT DOCUMENTS

D375,106 S * 10/1996 Matsuda et al. D16/133
D395,905 S * 7/1998 Hamamura D16/133
D413,131 S * 8/1999 Koinuma D16/133

1 Claim, 4 Drawing Sheets

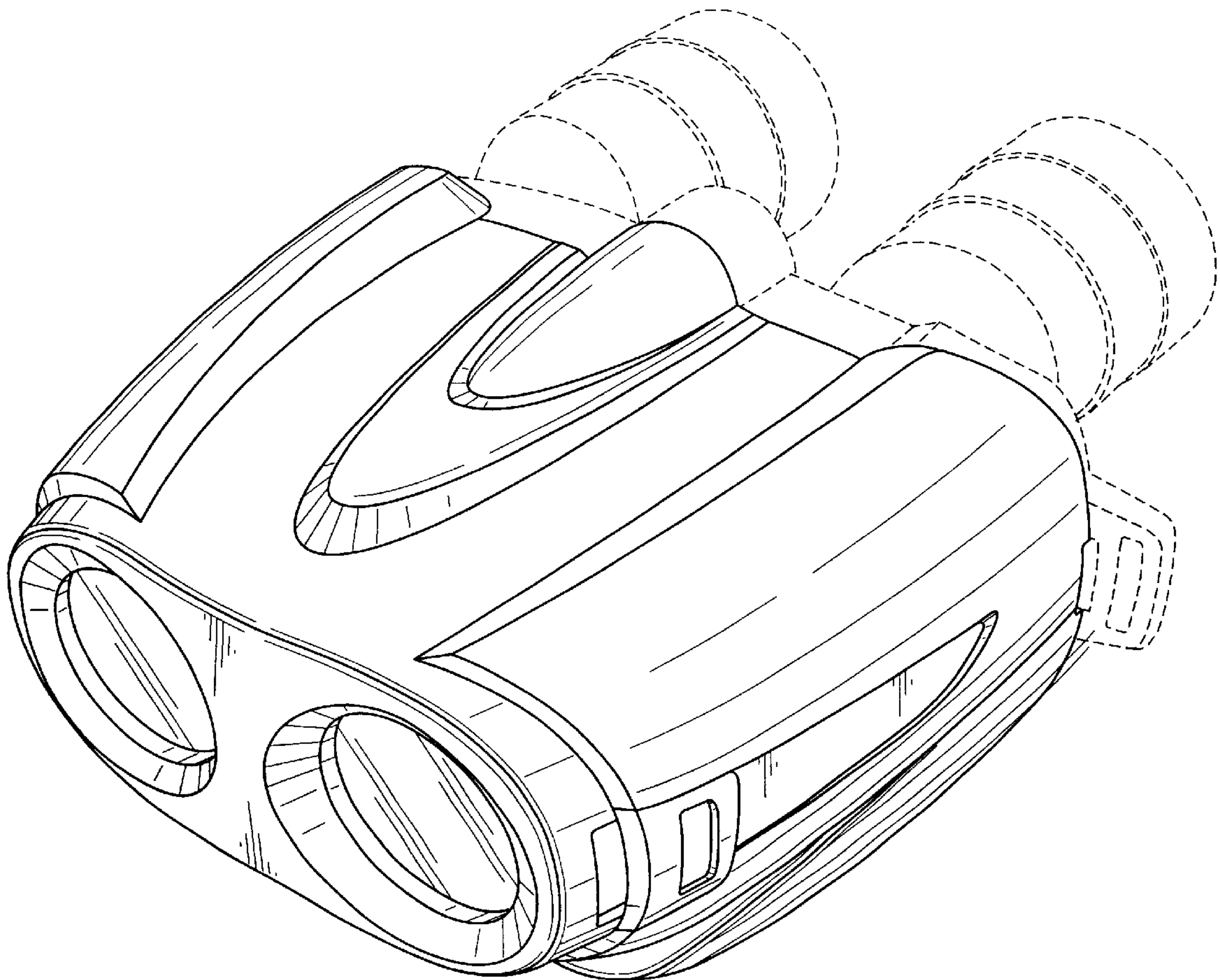


FIG. 1

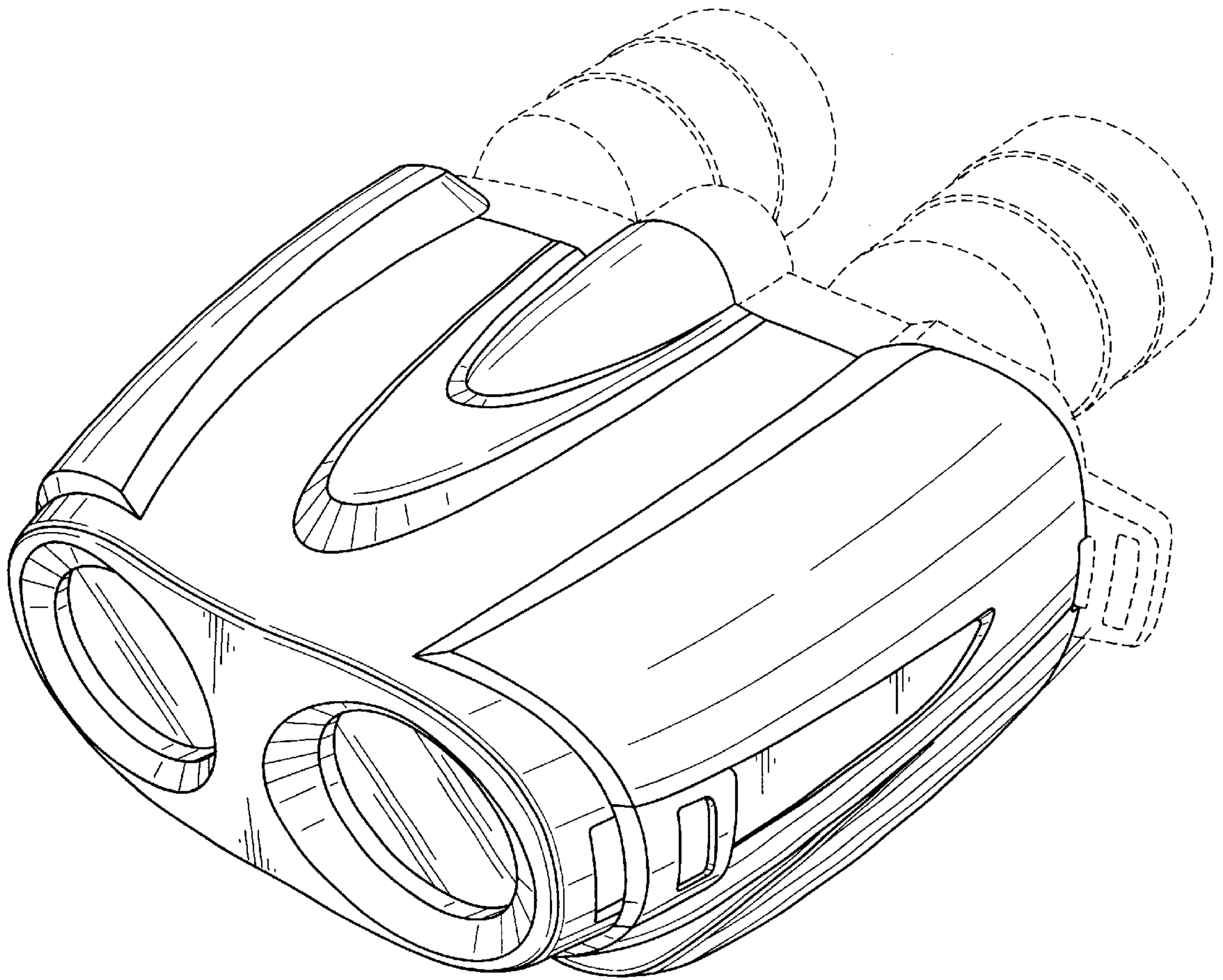


FIG. 2

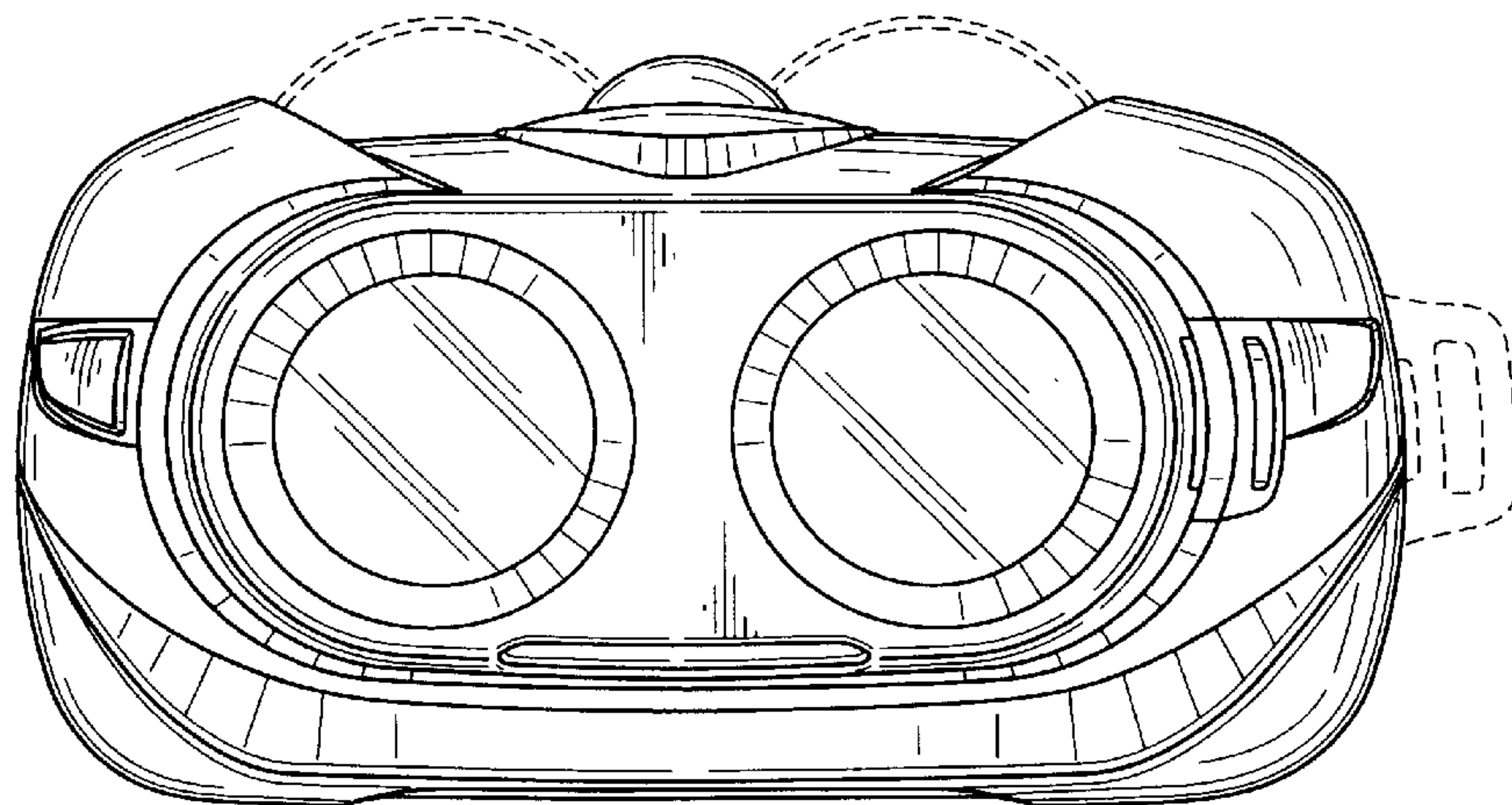


FIG. 3

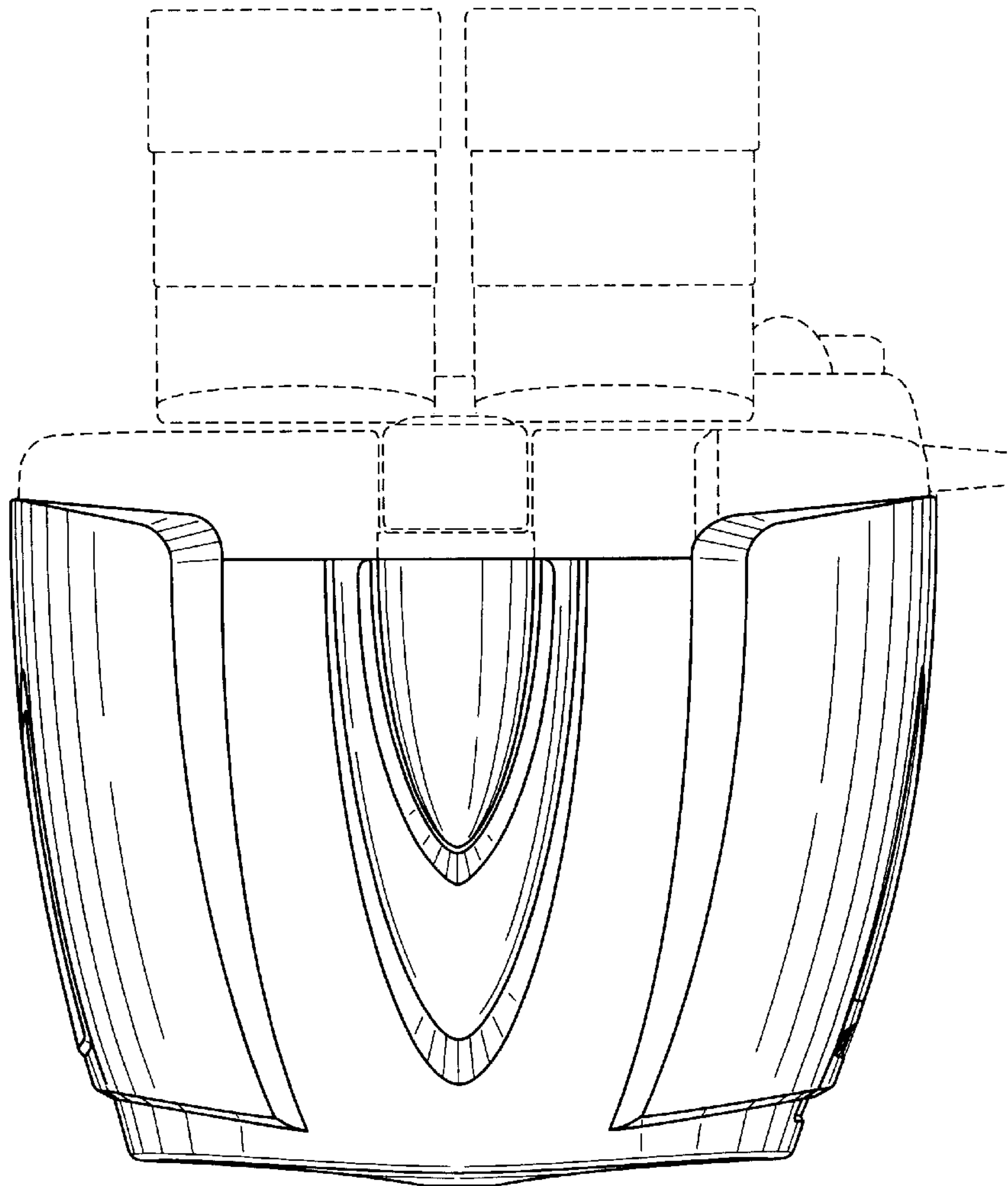


FIG. 4

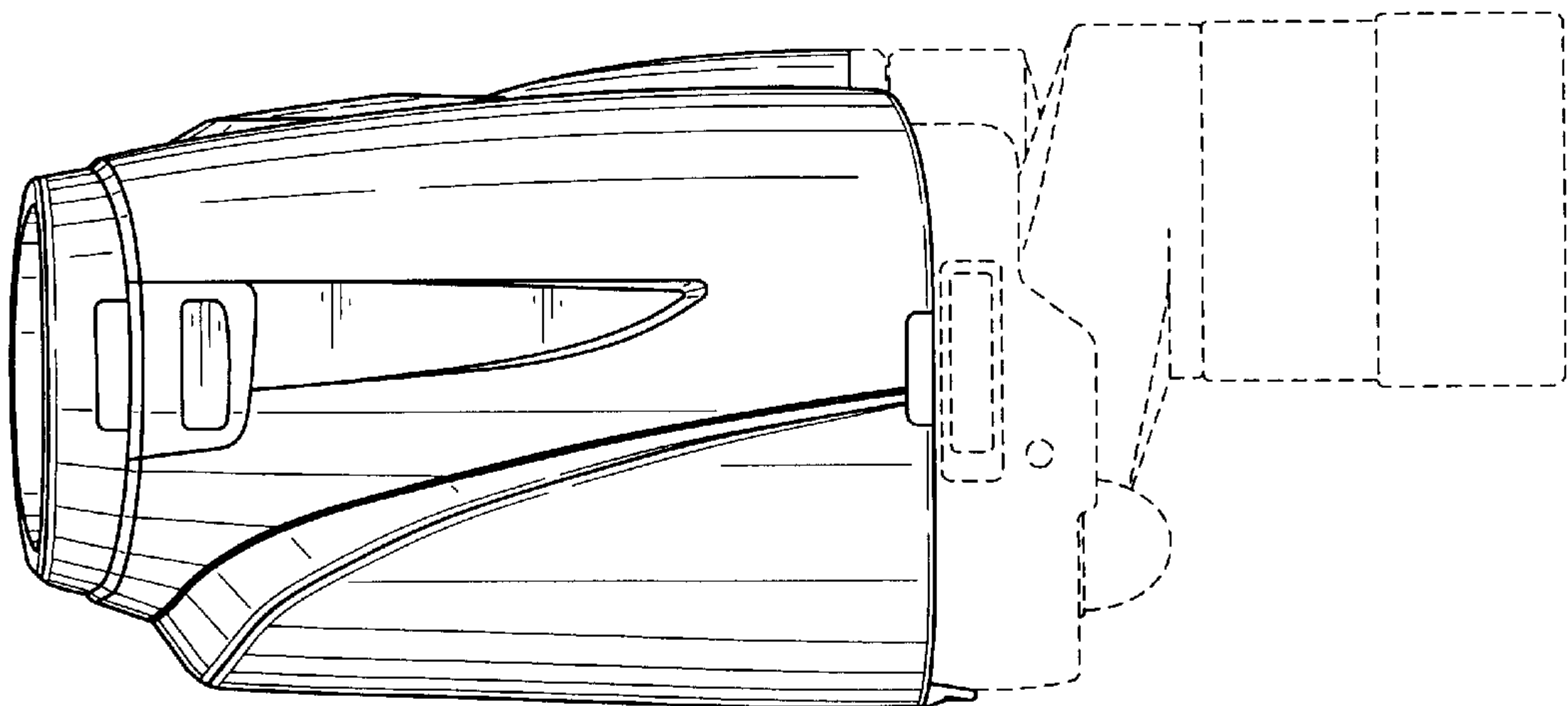


FIG. 5

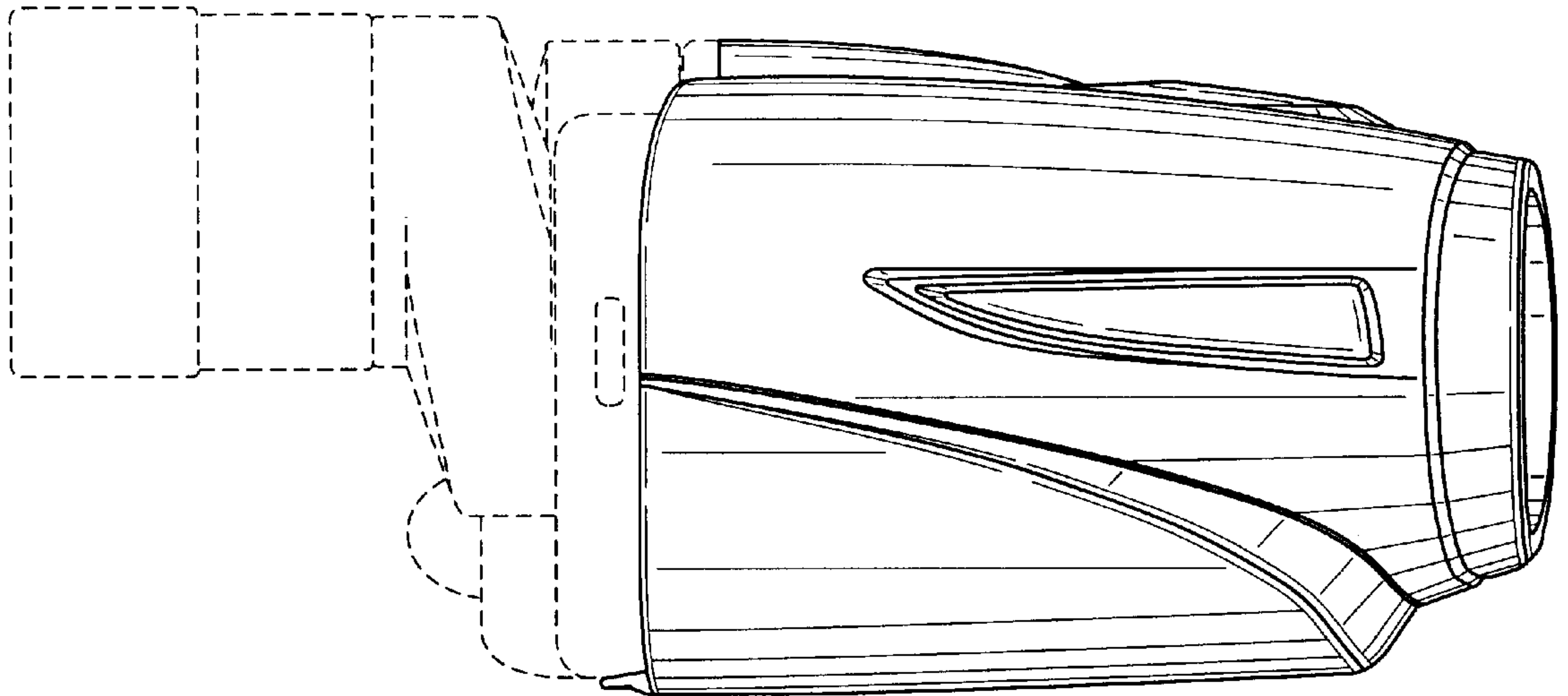


FIG. 6

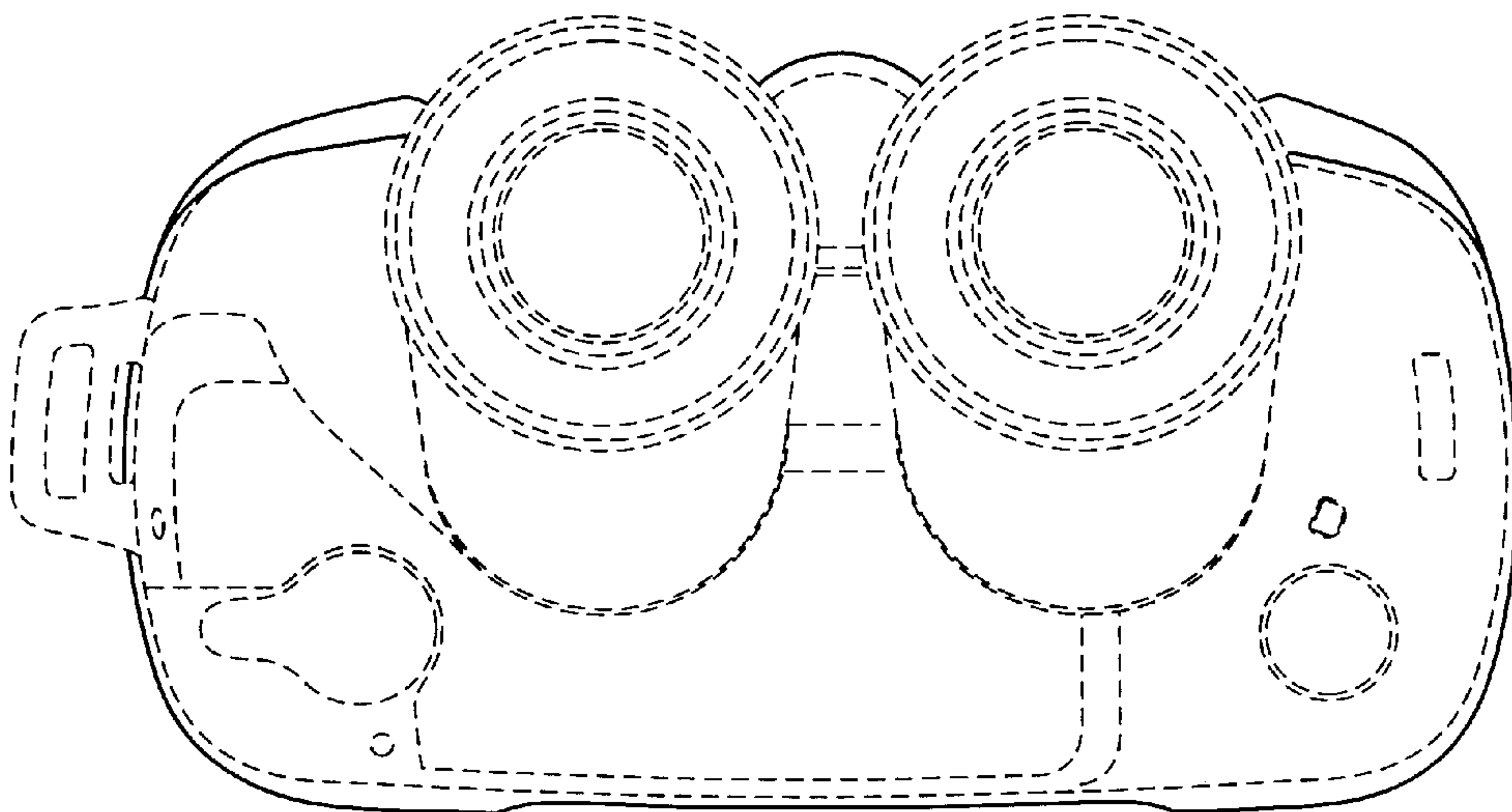


FIG. 7

