



US00D487760S

(12) **United States Design Patent**  
**Martin**

(10) **Patent No.:** **US D487,760 S**

(45) **Date of Patent:** **\*\* Mar. 23, 2004**

(54) **FIVE LEVER, FIVE SPRING CENTRIFUGAL CLUTCH**

(75) **Inventor:** **William A. Martin**, Sun City, CA (US)

(73) **Assignee:** **Horstman Manufacturing Co., Inc.**, Vista, CA (US)

(\*\*) **Term:** **14 Years**

(21) **Appl. No.:** **29/179,939**

(22) **Filed:** **Apr. 16, 2003**

(51) **LOC (7) Cl.** ..... **15-09**

(52) **U.S. Cl.** ..... **D15/148**

(58) **Field of Search** ..... D15/148; 192/70.17, 192/70.2, 212, 214, 214.1, 38, 45, 44; 384/526, 534, 576

(56) **References Cited**

**U.S. PATENT DOCUMENTS**

- 6,626,278 B2 \* 9/2003 Sugita et al. .... 192/70.27
- 6,629,590 B2 \* 10/2003 Ochab et al. .... 192/38

**OTHER PUBLICATIONS**

Product Catalog 2001, Horstman Clutches, cover page and p. 4.

\* cited by examiner

*Primary Examiner*—Lisa Lichtenstein

(74) *Attorney, Agent, or Firm*—Fulwider Patton Lee & Utecht, LLP

(57) **CLAIM**

The ornamental design for a five lever, five spring centrifugal clutch, as shown.

**DESCRIPTION**

FIG. 1 is a front perspective view of a five lever, five spring centrifugal clutch showing my new design; FIG. 2 is a top plan view thereof; FIG. 3 is a front view thereof; and, FIG. 4 is a rear view thereof.

I further disclam and do not include as part of my invention the bottom portion, which is shown with broken lines.

**1 Claim, 2 Drawing Sheets**

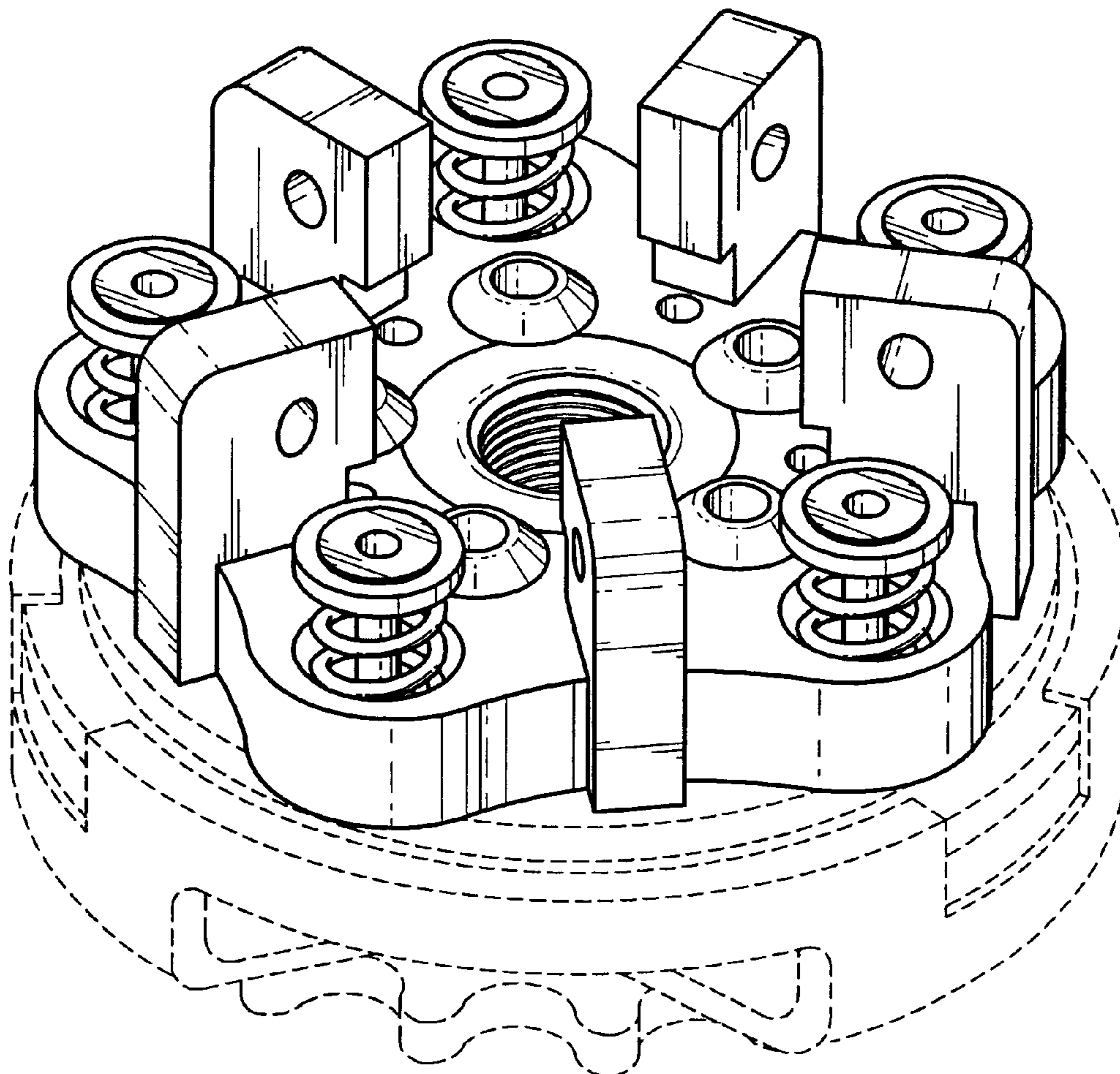


FIG. 1

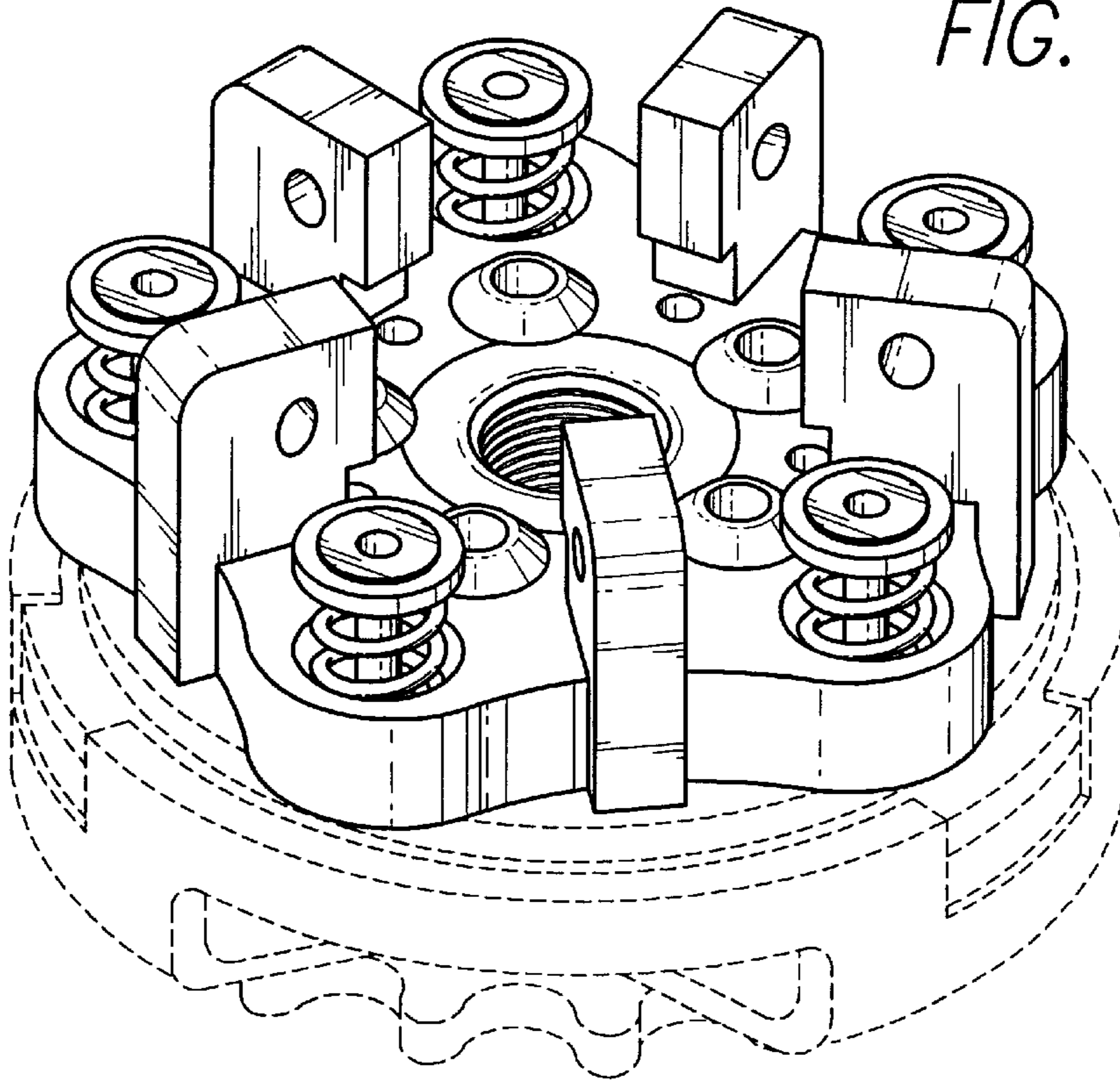


FIG. 2

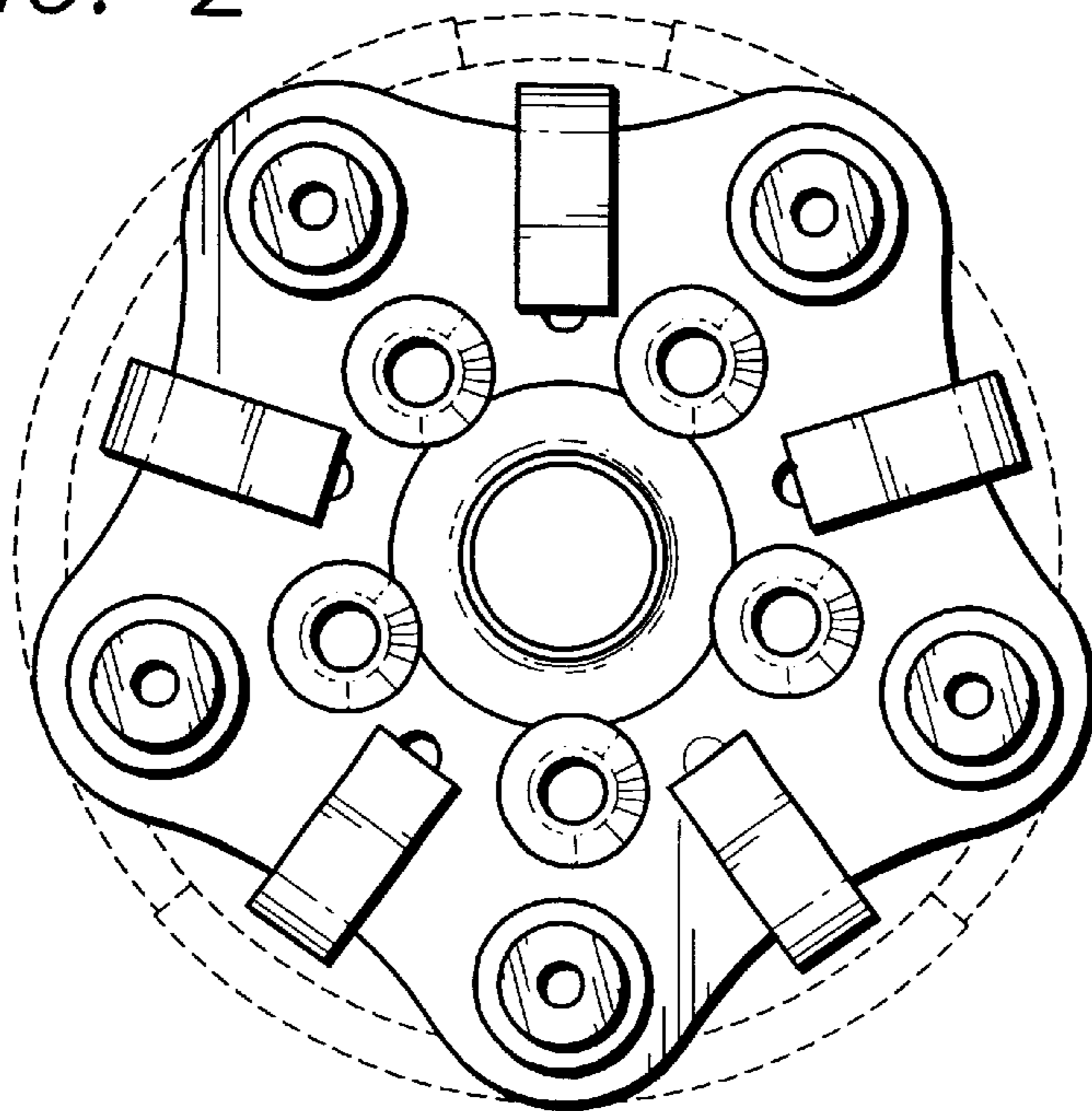


FIG. 3

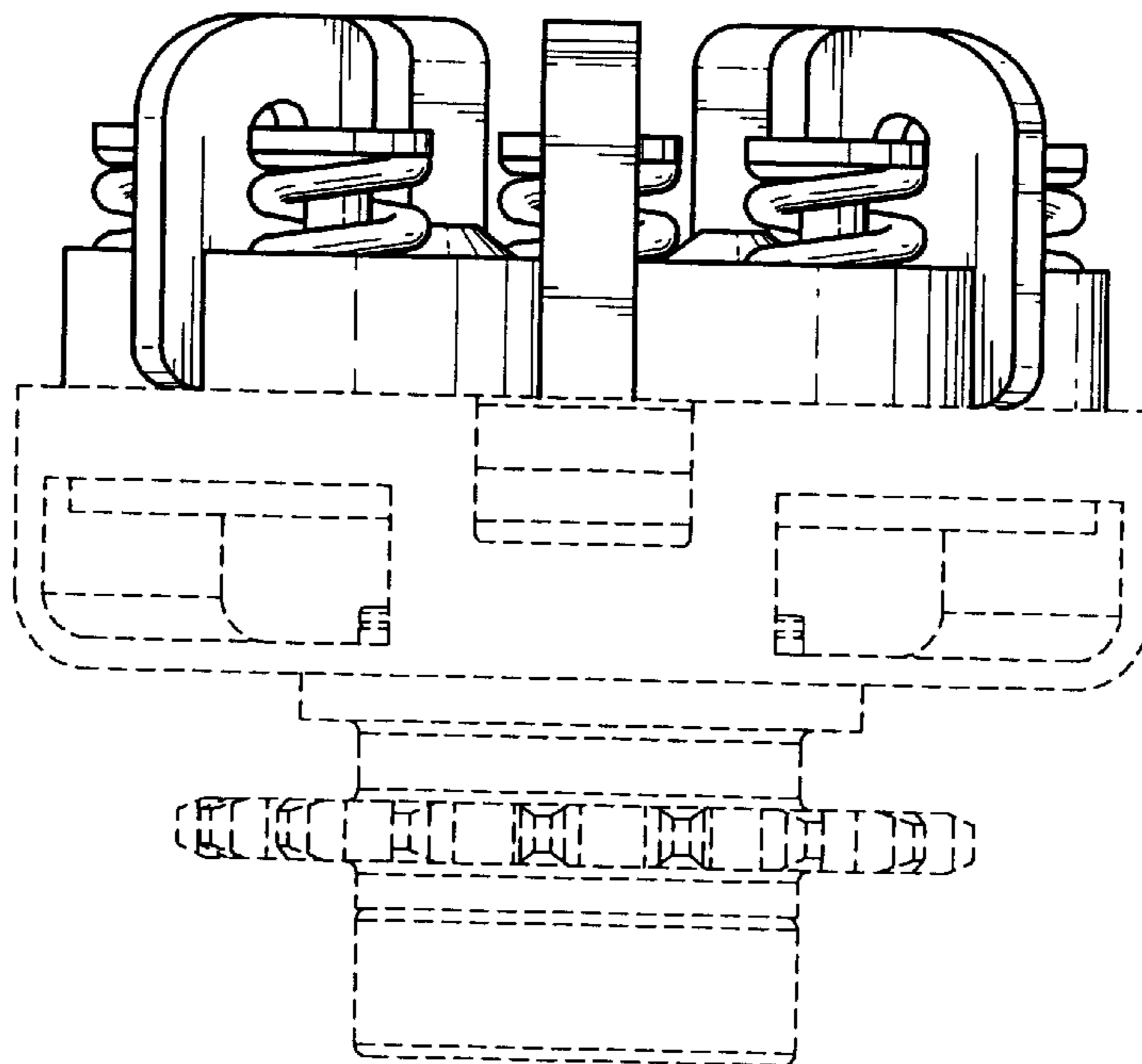
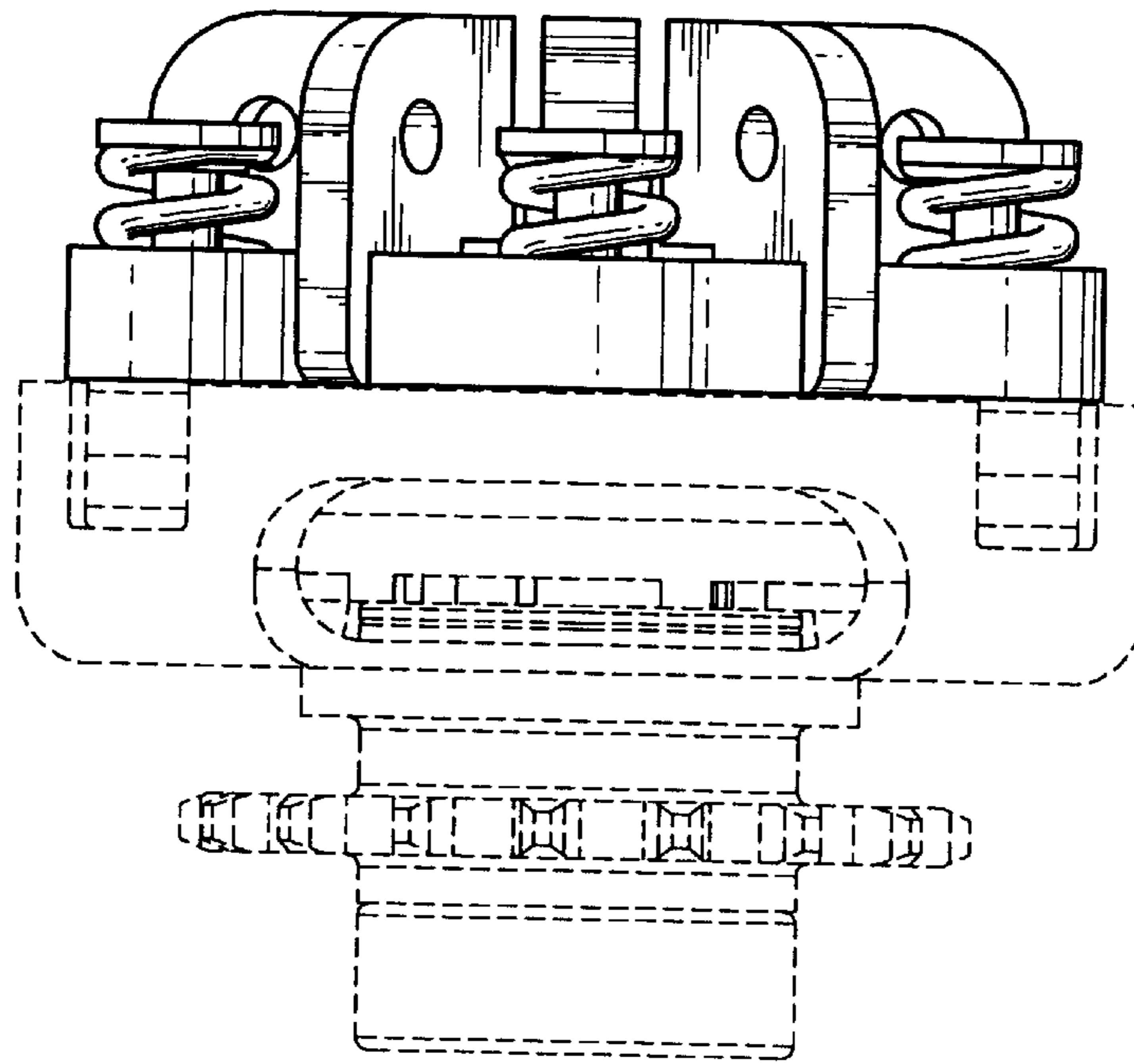


FIG. 4