



US00D487754S

(12) **United States Design Patent**
Kao

(10) **Patent No.:** **US D487,754 S**

(45) **Date of Patent:** **** Mar. 23, 2004**

(54) **SLIDING COMPOUND MITER SAW**

(75) **Inventor:** **Mei-Lan Kao, Taichung Hsien (TW)**

(73) **Assignee:** **P & F Brother Industrial Corporation, Taichung (TW)**

(**) **Term:** **14 Years**

(21) **Appl. No.:** **29/178,347**

(22) **Filed:** **Mar. 24, 2003**

(30) **Foreign Application Priority Data**

Sep. 26, 2002 (TW) 91305410

(51) **LOC (7) Cl.** **15-09**

(52) **U.S. Cl.** **D15/133**

(58) **Field of Search** D15/133, 127;
83/471.1, 471.3, 477, 881

(56) **References Cited**

U.S. PATENT DOCUMENTS

5,207,141	A	*	5/1993	Dehari	83/471.3
5,819,624	A	*	10/1998	Brault et al.	83/471.3
5,865,079	A	*	2/1999	Itzov	83/471.3
D420,370	S	*	2/2000	Shibata et al.	D15/133
D428,426	S	*	7/2000	Brazell	D15/133

D435,569	S	*	12/2000	Hollinger et al.	D15/133
D454,577	S	*	3/2002	Meredith et al.	D15/133
D459,373	S	*	6/2002	Hollinger et al.	D15/133
D471,216	S	*	3/2003	Hollinger et al.	D15/133
D478,103	S	*	8/2003	Kani et al.	D15/133
D479,251	S	*	9/2003	Wright	D15/133

* cited by examiner

Primary Examiner—Brian N. Vinson

(74) *Attorney, Agent, or Firm*—Alan Kamrath; Rider Bennett, LLP

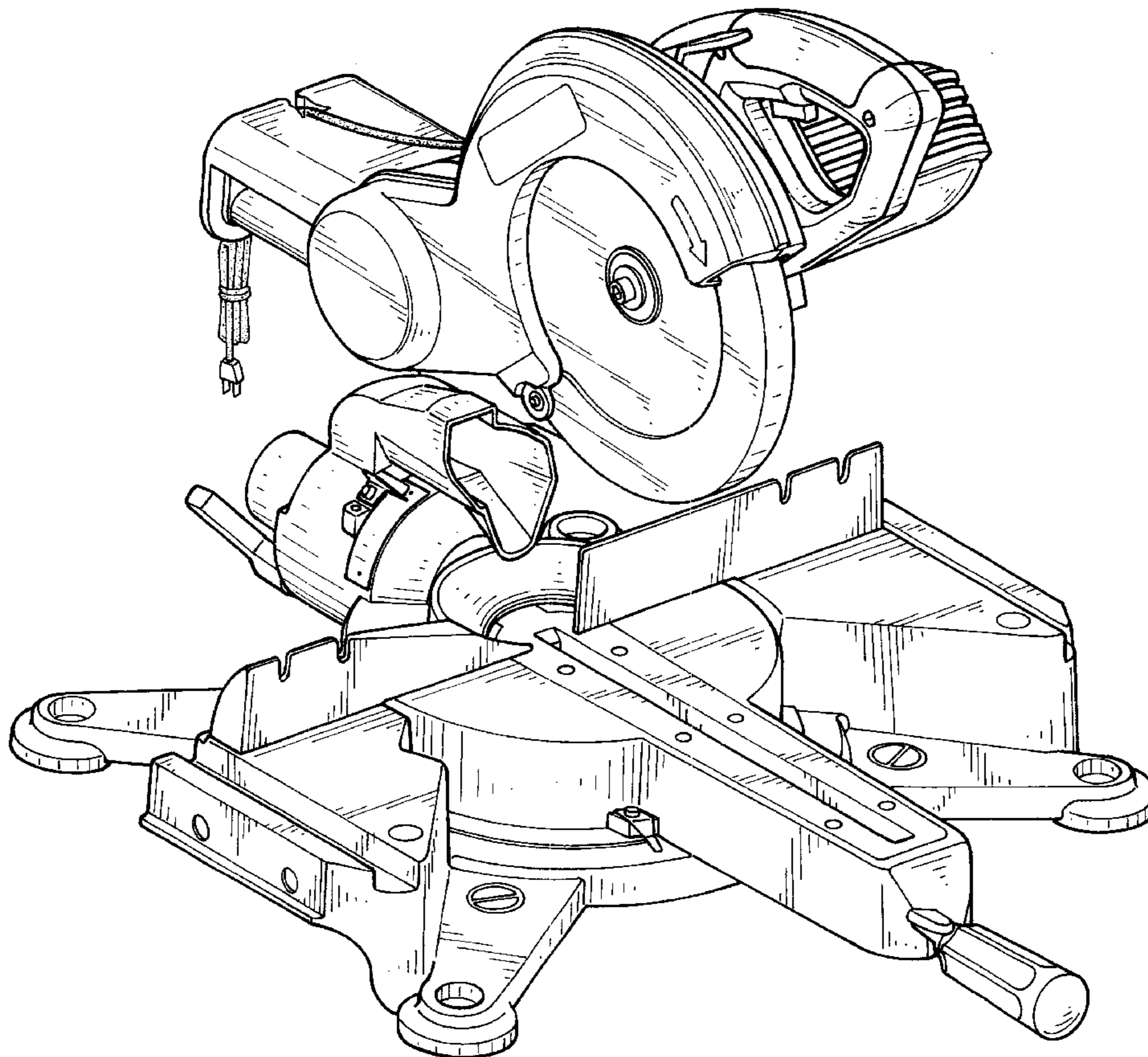
(57) **CLAIM**

The ornamental design for a sliding compound miter saw, as shown.

DESCRIPTION

FIG. 1 is a perspective view of a sliding compound miter saw, showing my new design;
FIG. 2 is a front elevational view thereof;
FIG. 3 is a rear elevational view thereof;
FIG. 4 is a left side elevational view thereof;
FIG. 5 is a right side elevational view thereof;
FIG. 6 is a top plan view thereof; and,
FIG. 7 is a bottom plan view thereof.

1 Claim, 7 Drawing Sheets



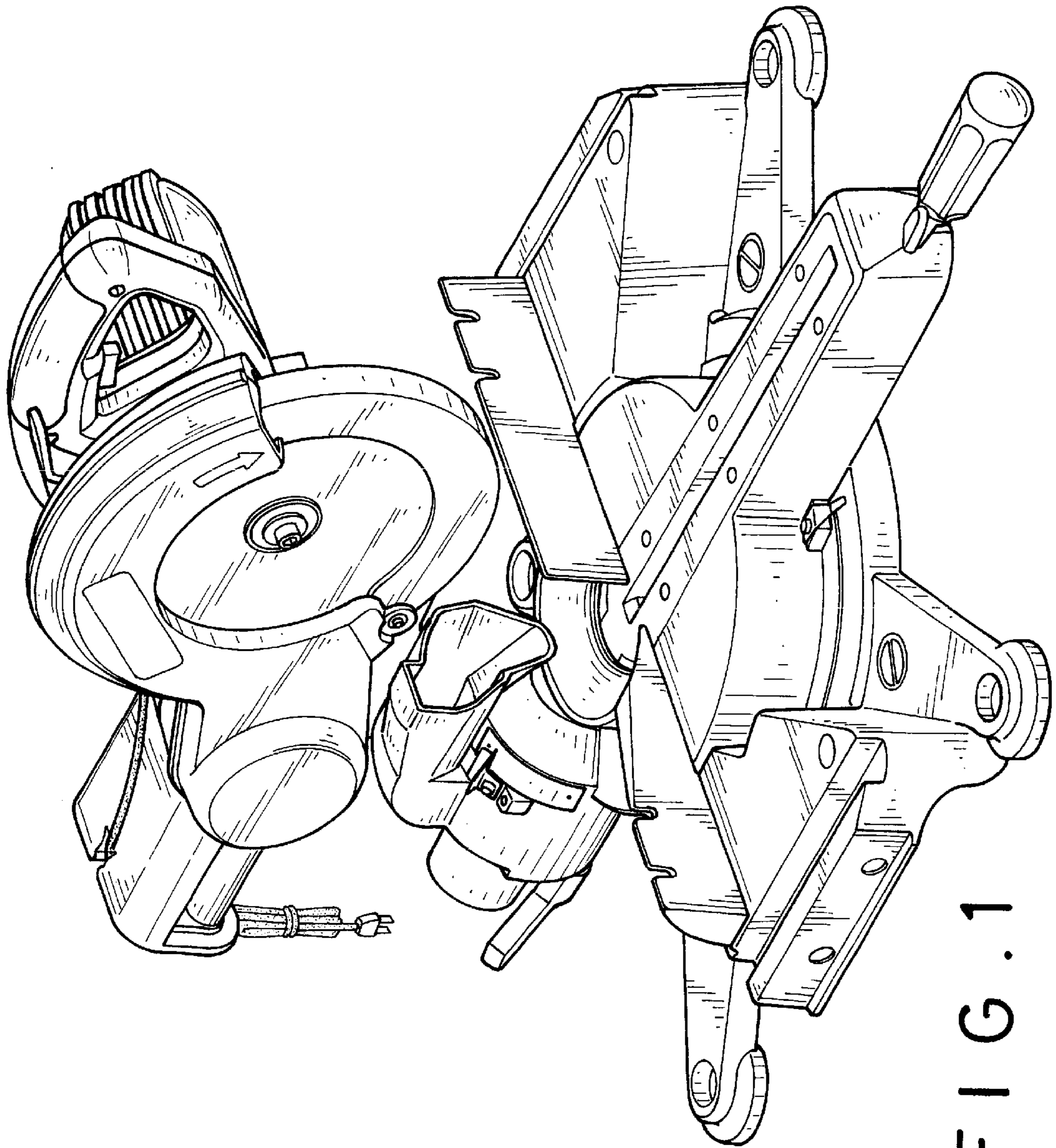


FIG. 1

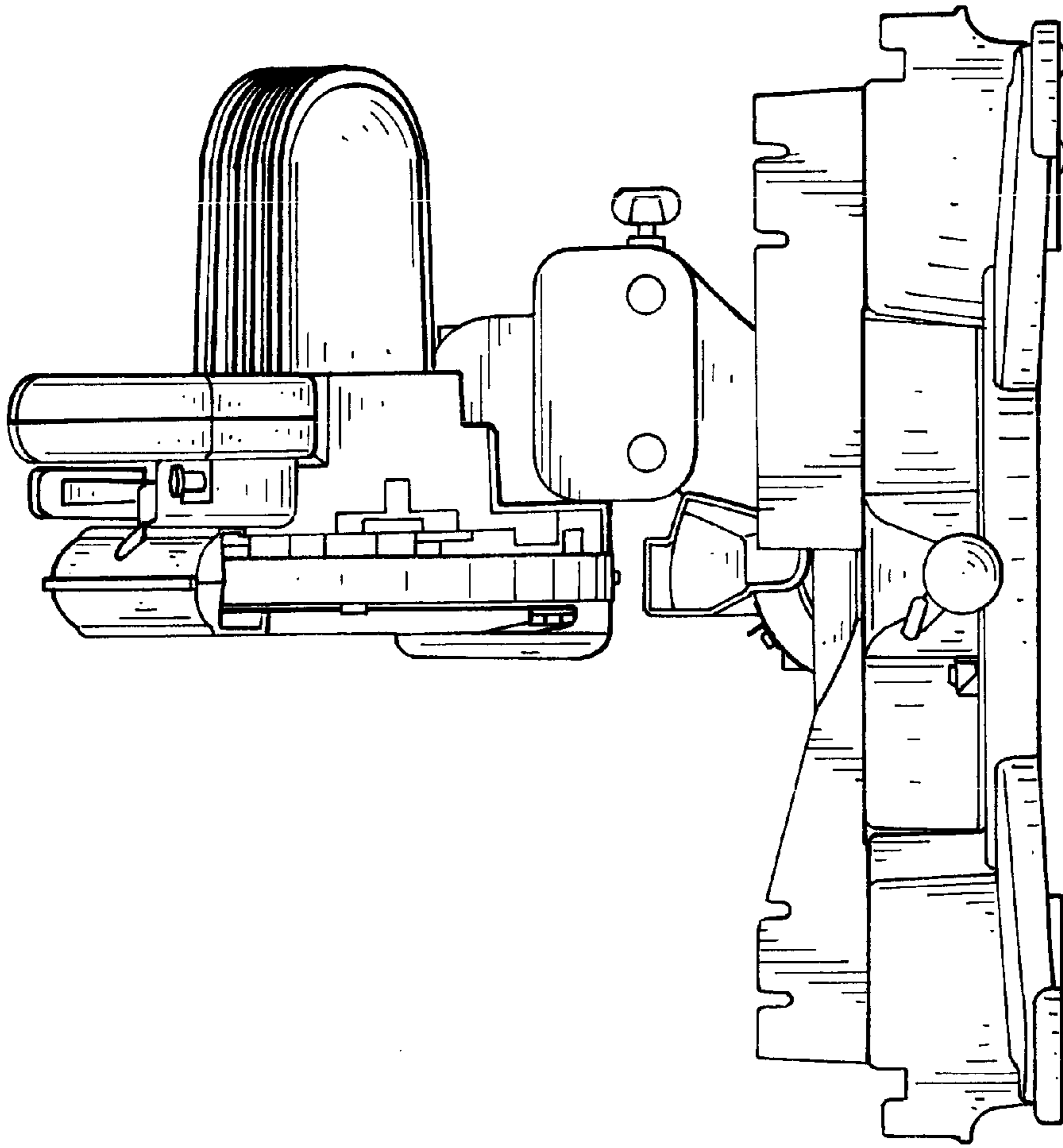


FIG. 2

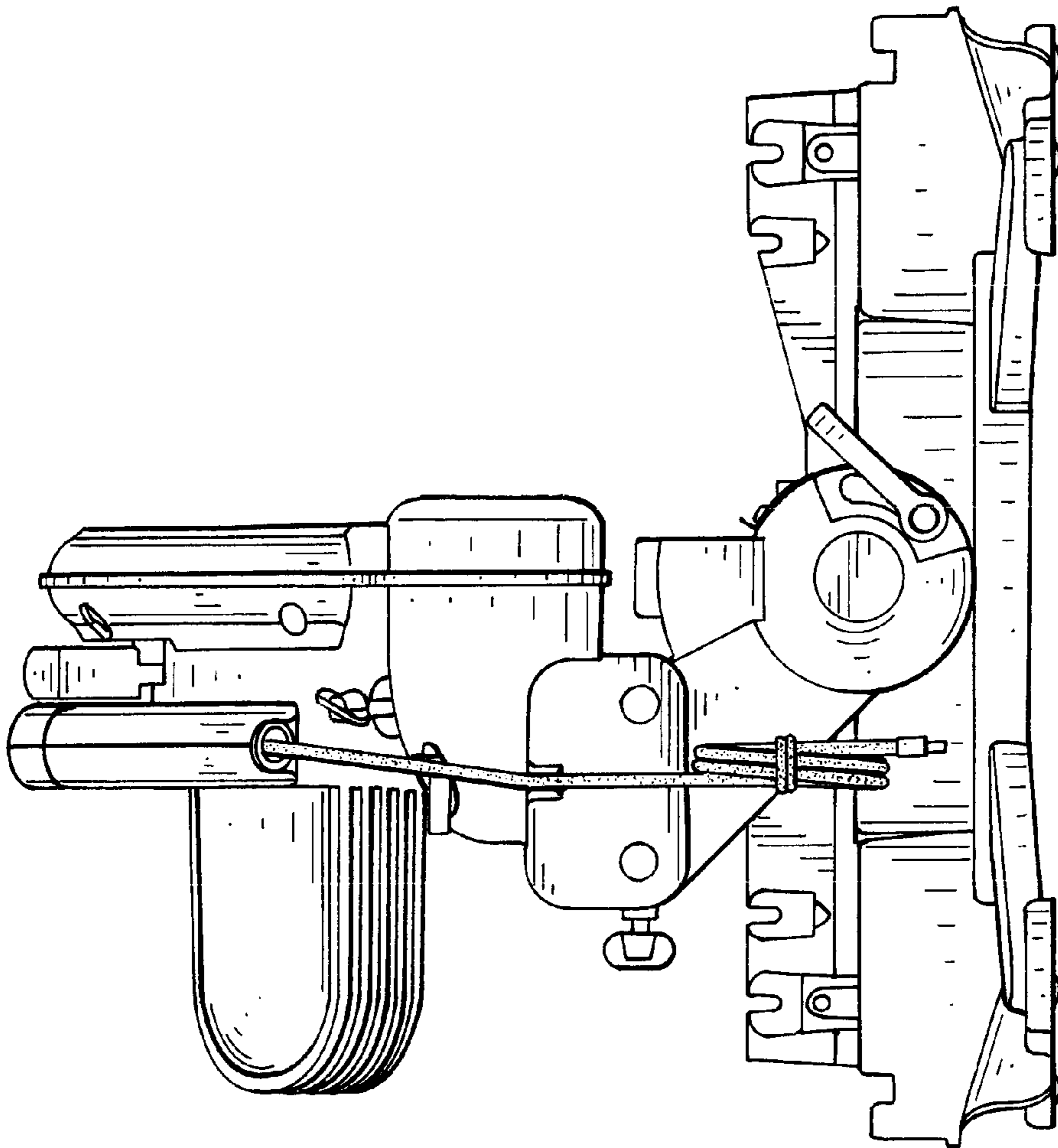


FIG. 3

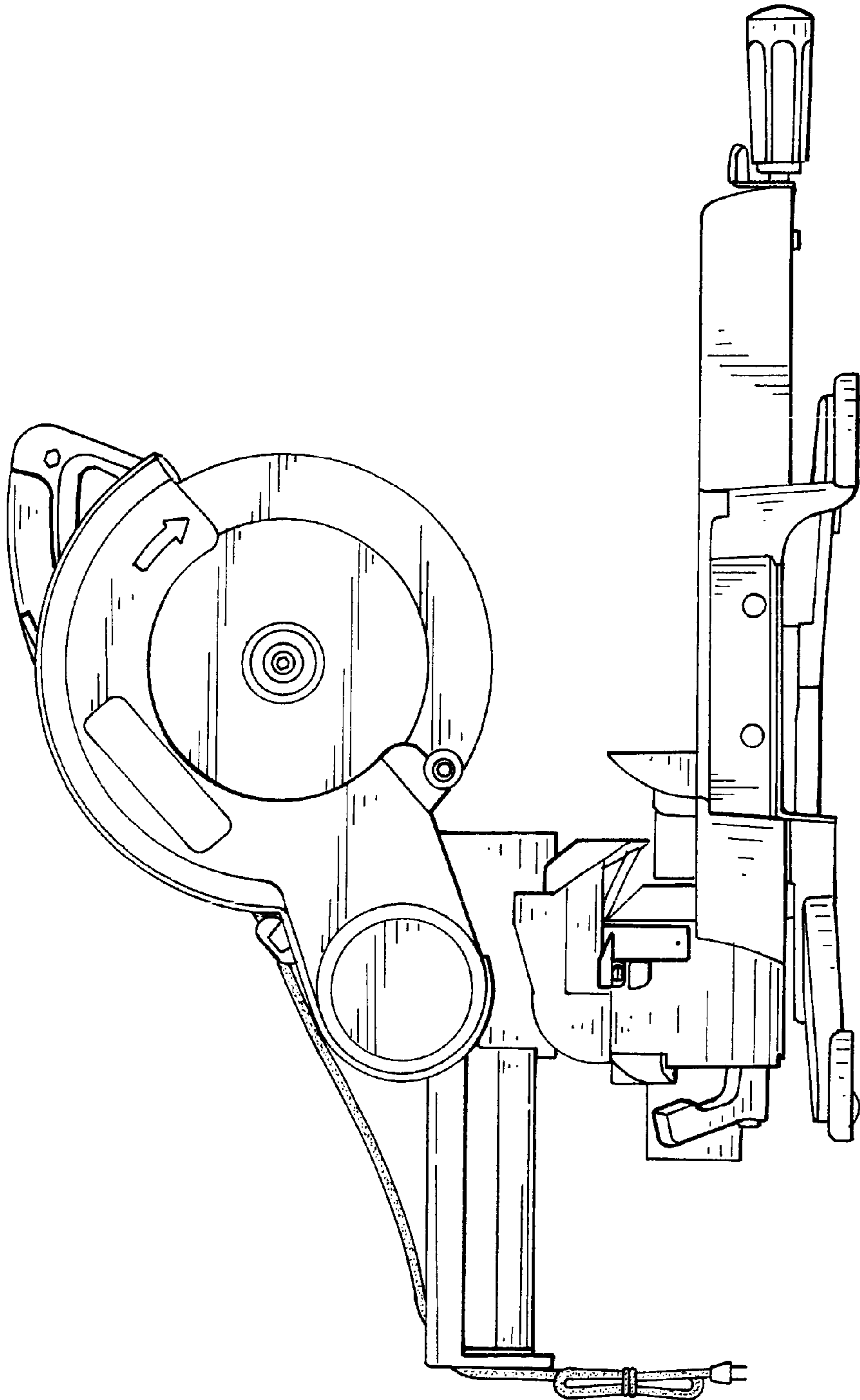


FIG. 4

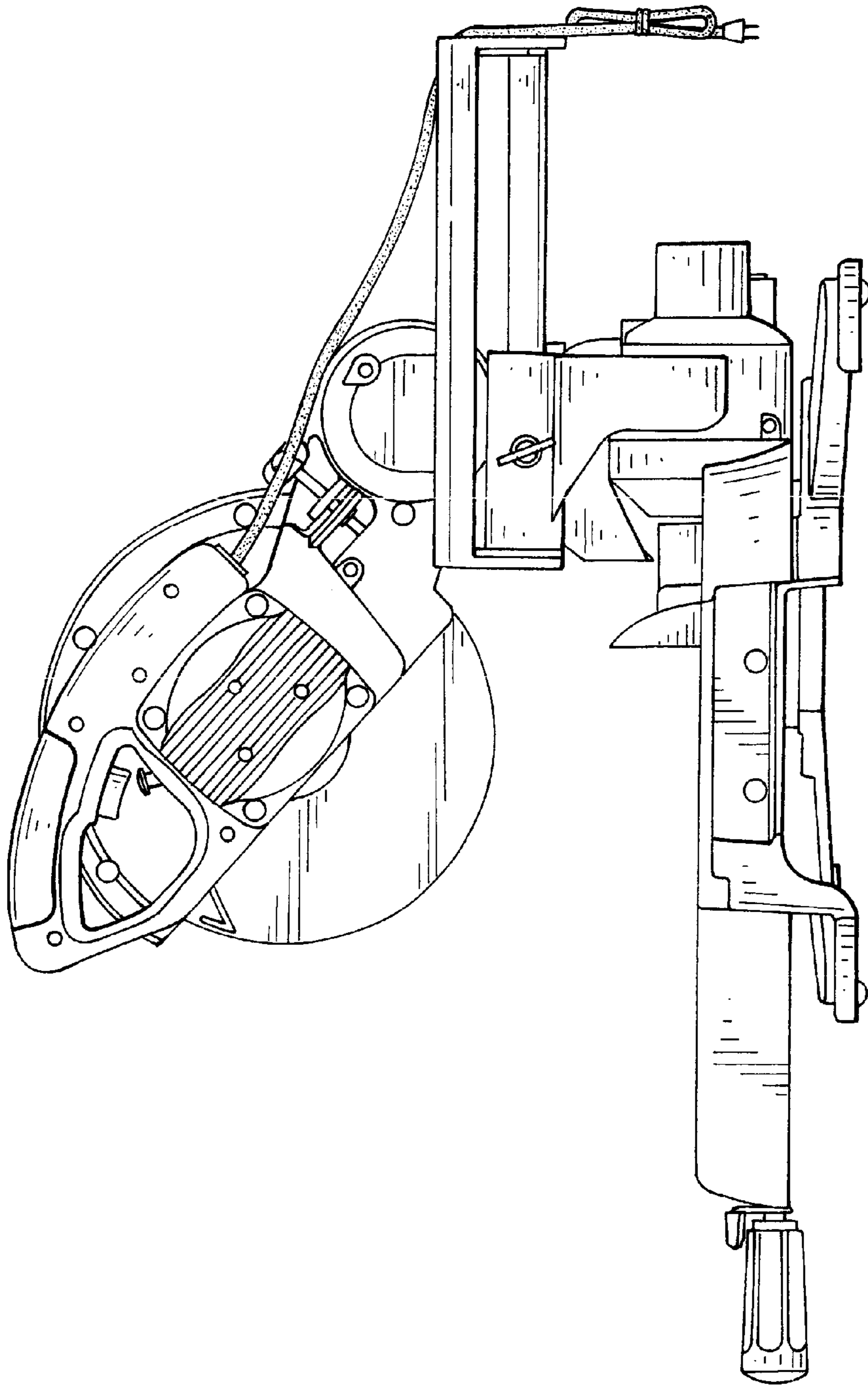


FIG. 5

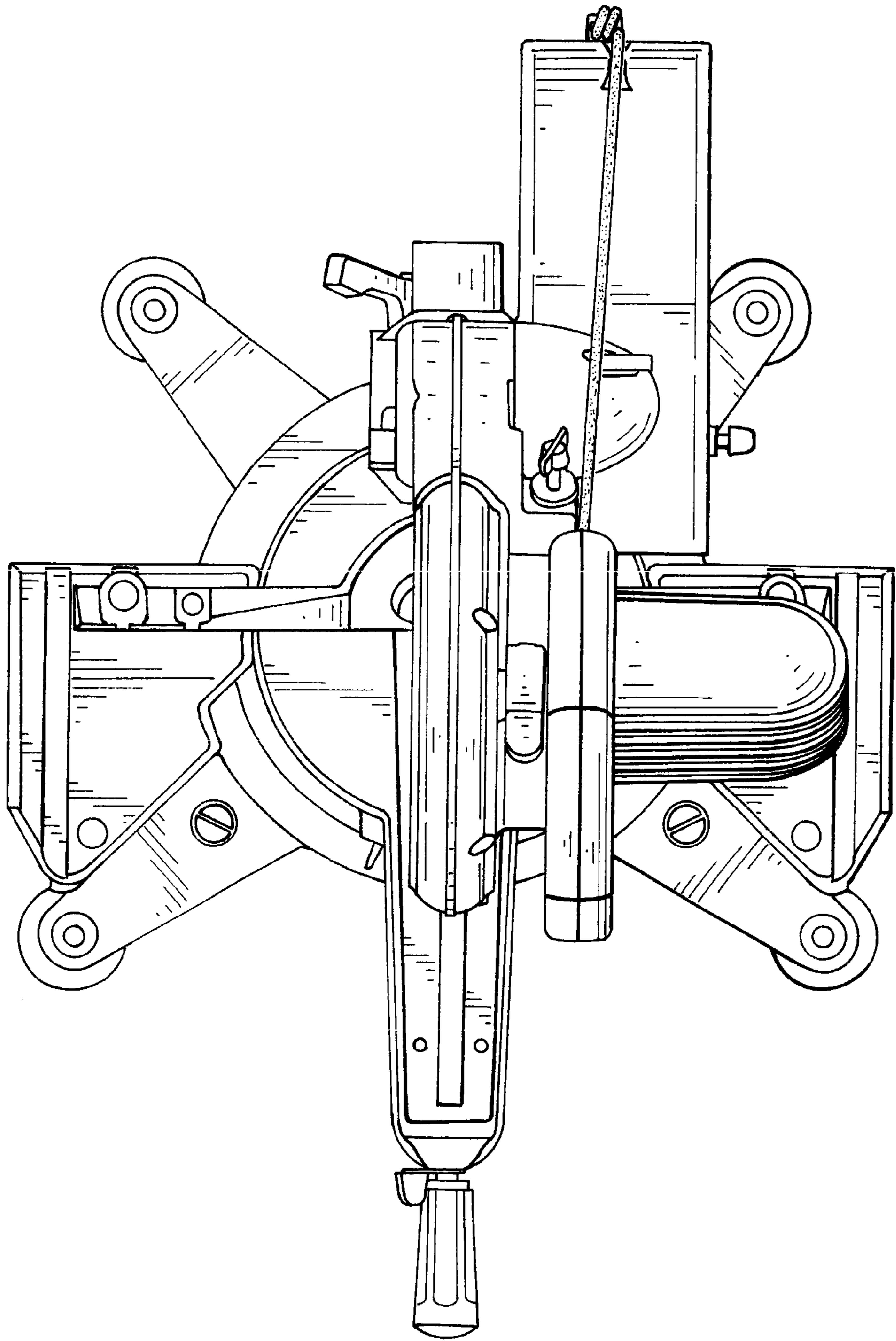


FIG. 6

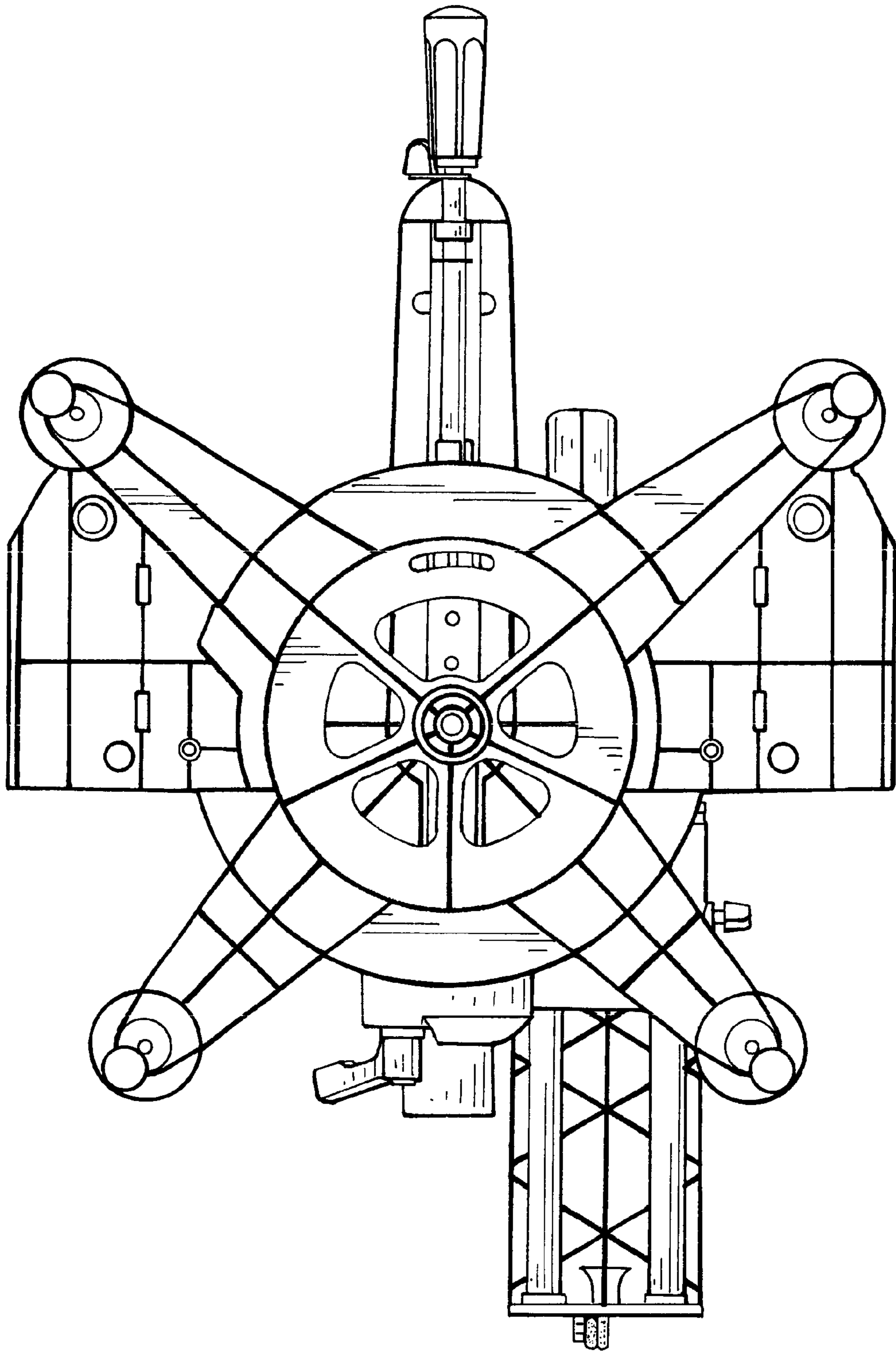


FIG. 7