



US00D487747S

(12) **United States Design Patent**
Yu et al.

(10) **Patent No.:** **US D487,747 S**

(45) **Date of Patent:** **** Mar. 23, 2004**

(54) **REMOVABLE ELECTRONIC CARD**

2002/0170972 A1 * 11/2002 Kim 235/487

(75) Inventors: **Gordon Yu**, Taipei (TW); **Forli Wen**,
Hsinchu (TW); **Ping-Chang Liu**,
Hsinchu (TW)

* cited by examiner

Primary Examiner—Kay H. Chin
(74) *Attorney, Agent, or Firm*—Bacon & Thomas, PLLC

(73) Assignees: **C-One Technology Corporation**,
Hsin-Chu (TW); **Pretec Electronics**
Corporation, Fremont, CA (US)

(57) **CLAIM**

The ornamental design for the removable electronic card, as shown and described.

(**) Term: **14 Years**

DESCRIPTION

(21) Appl. No.: **29/173,835**

FIG. 1 is a perspective view of a removable electronic card showing our new design;

(22) Filed: **Jan. 8, 2003**

FIG. 2 is a front view thereof;

(51) **LOC (7) Cl.** **14-02**

FIG. 3 is a rear view thereof;

(52) **U.S. Cl.** **D14/436**

FIG. 4 is a left side view thereof;

(58) **Field of Search** D14/435-438,

FIG. 5 is a right side view thereof;

D14/478-480; 361/737, 686, 736, 752;

FIG. 6 is a top view thereof;

257/678, 679; 40/124.1; 282/75, 76, 901;

FIG. 7 is a bottom view thereof;

235/487-495, 441-443, 325

FIG. 8 is a perspective view of a second embodiment of the removable electronic card;

(56) **References Cited**

FIG. 9 is a front view thereof;

U.S. PATENT DOCUMENTS

FIG. 10 is a rear view thereof;

D475,056 S * 5/2003 Taniguchi et al. D14/436

FIG. 11 is a left side view thereof;

D476,011 S * 6/2003 Taniguchi et al. D14/436

FIG. 12 is a right side view thereof;

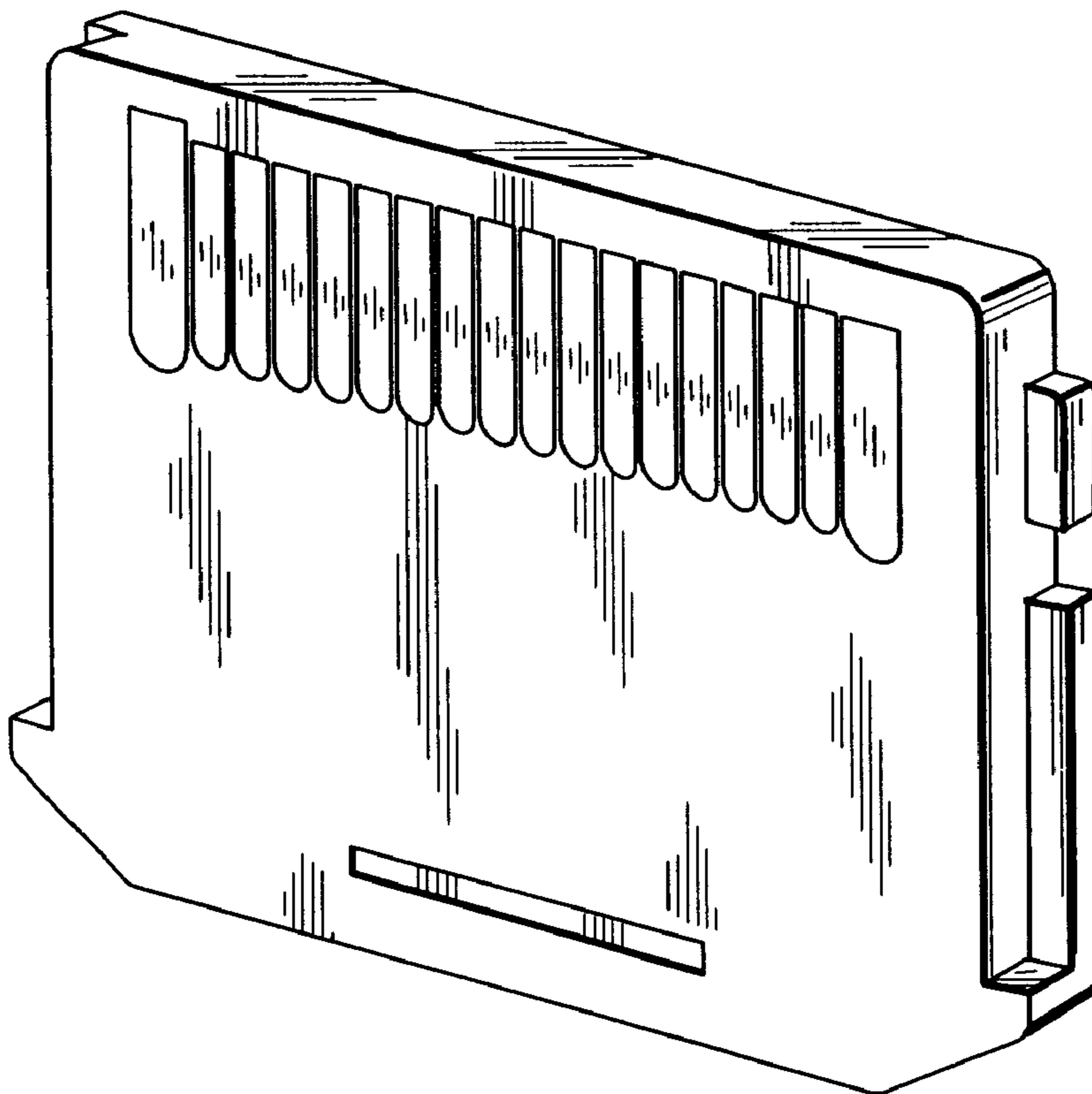
D476,012 S * 6/2003 Taniguchi et al. D14/436

FIG. 13 is a top view thereof; and,

D479,845 S * 9/2003 Taniguchi et al. D14/436

FIG. 14 is a bottom view thereof.

1 Claim, 4 Drawing Sheets



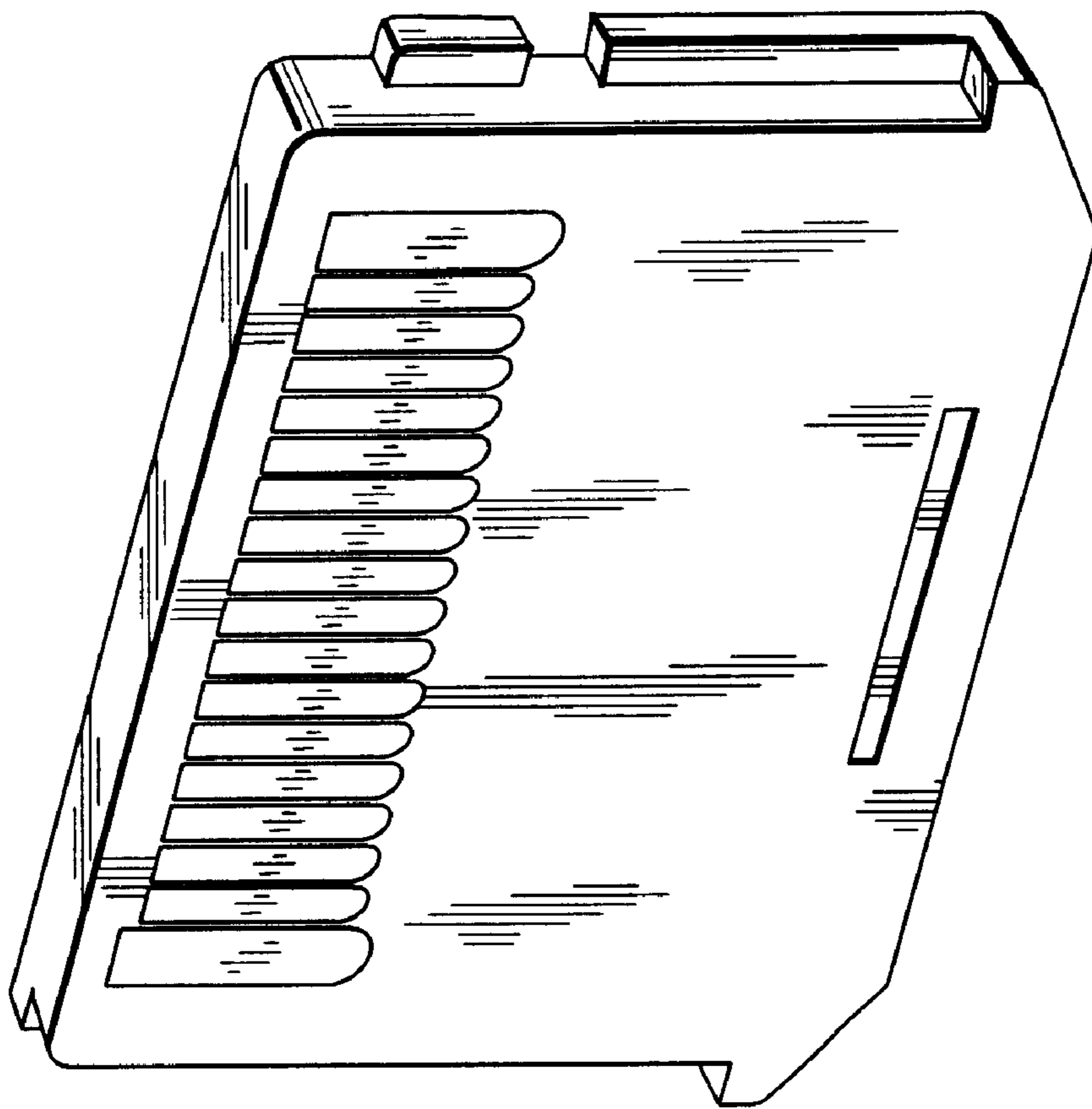


FIG. 1

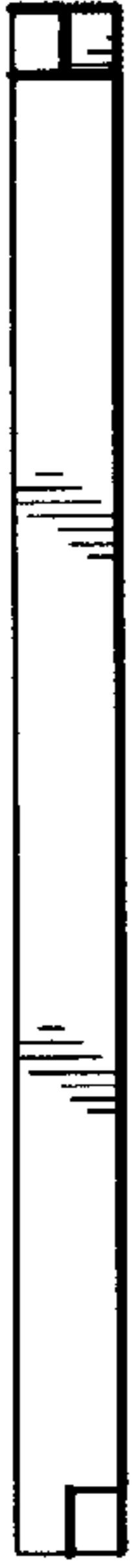


FIG. 6

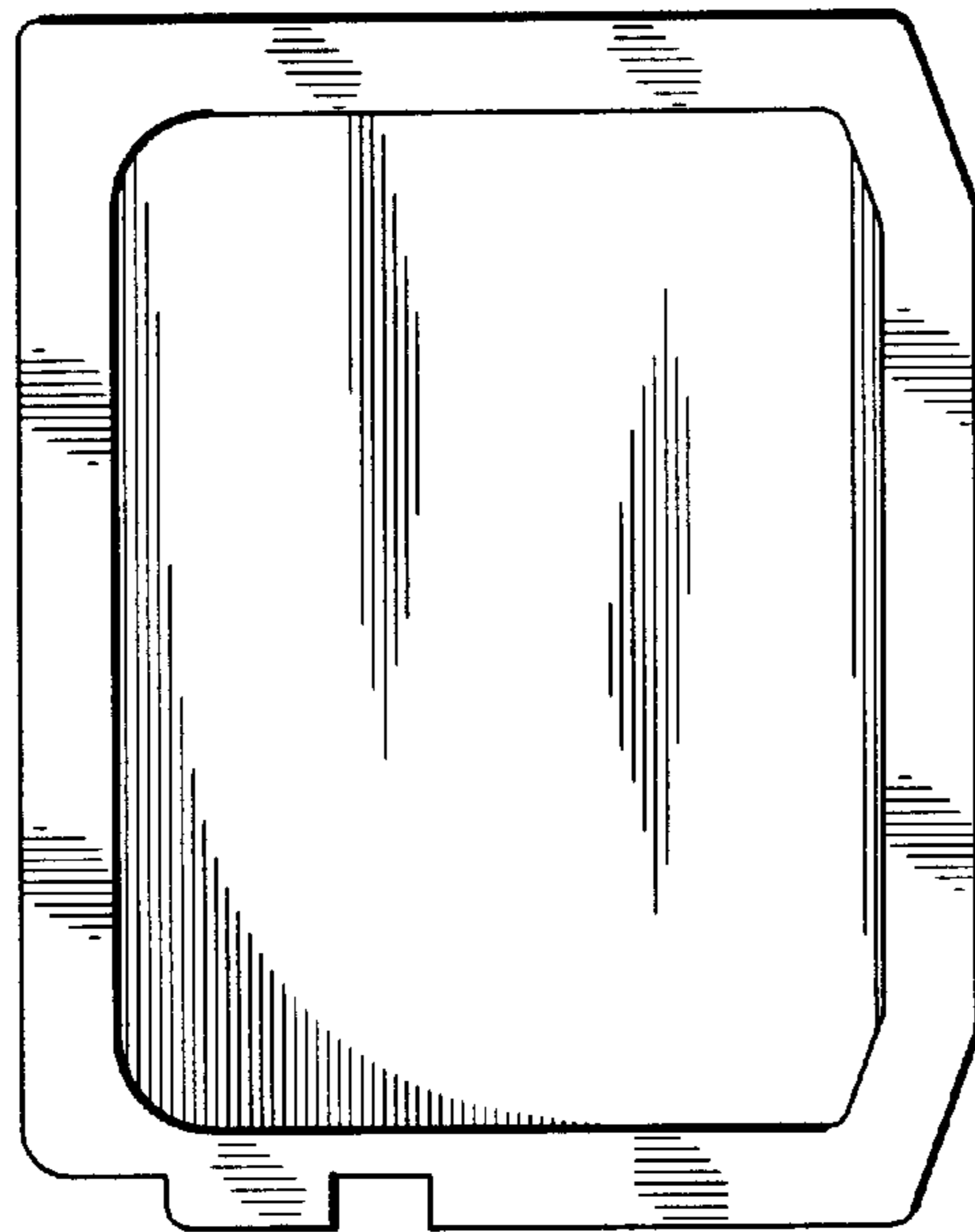


FIG. 3

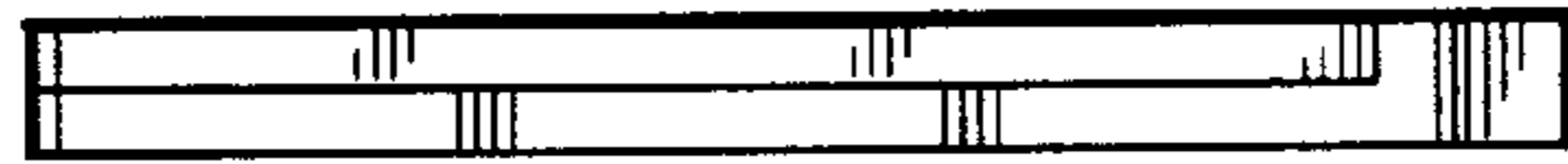


FIG. 4

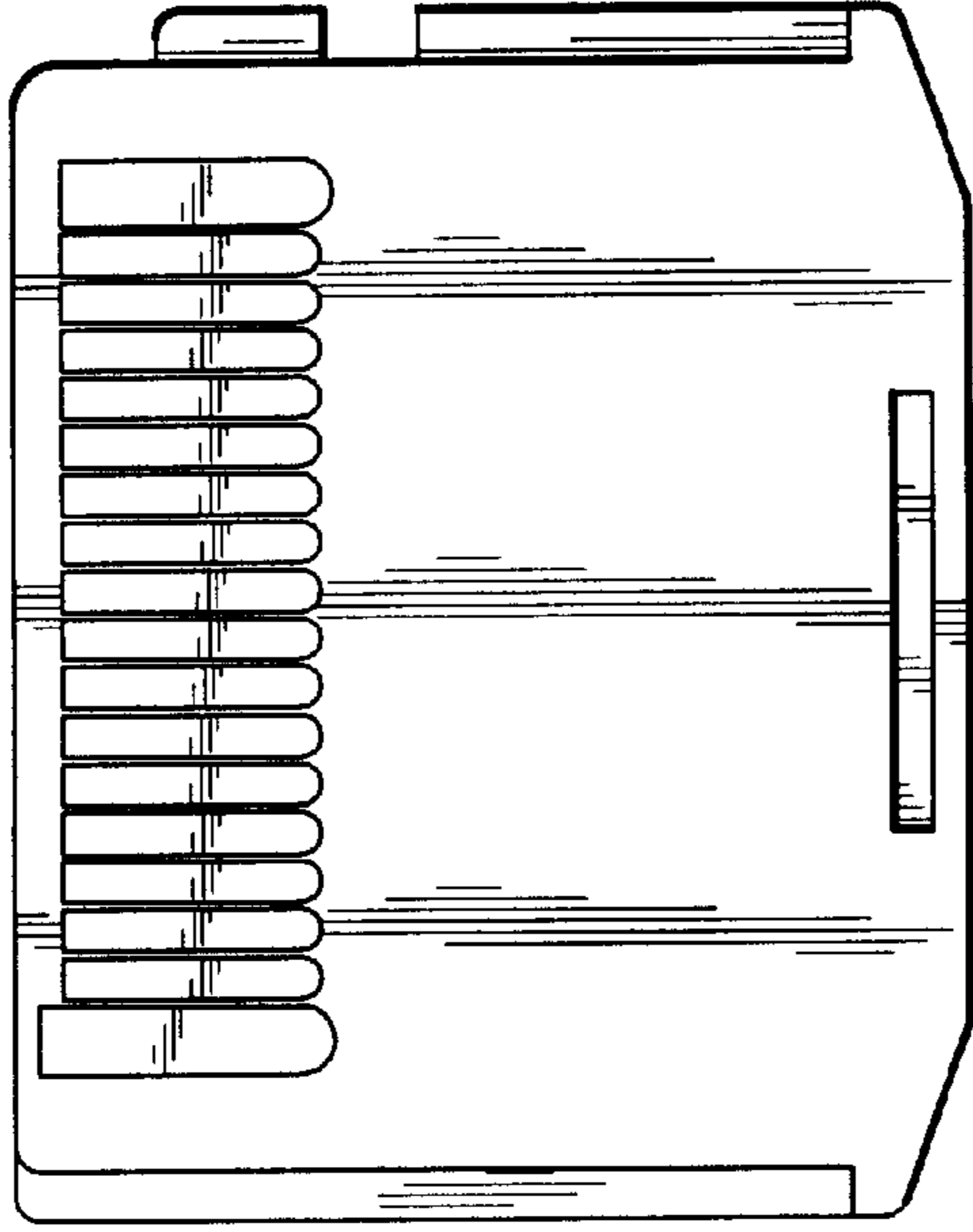


FIG. 2

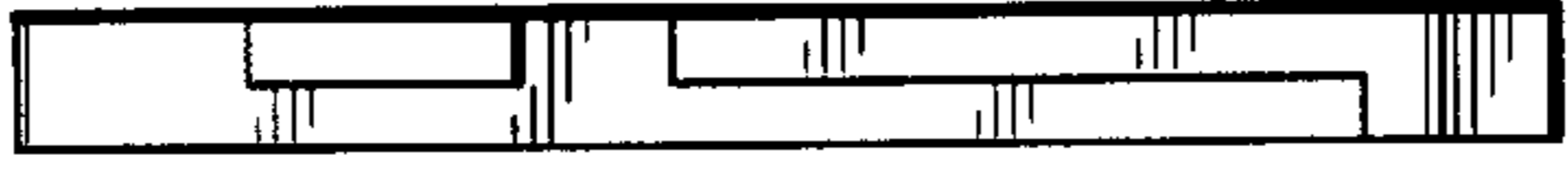


FIG. 5



FIG. 7

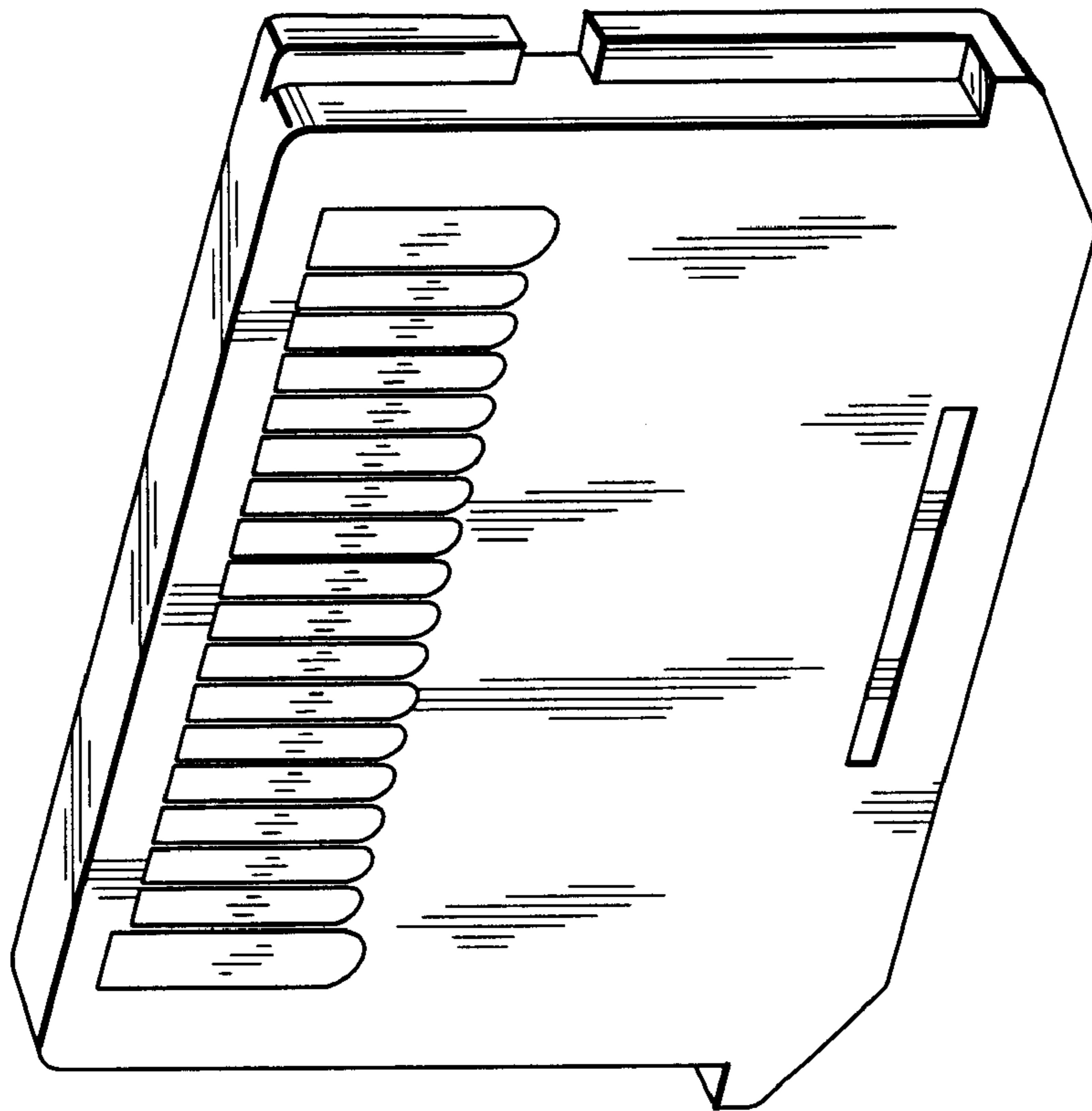


FIG. 8



FIG. 13



FIG. 12

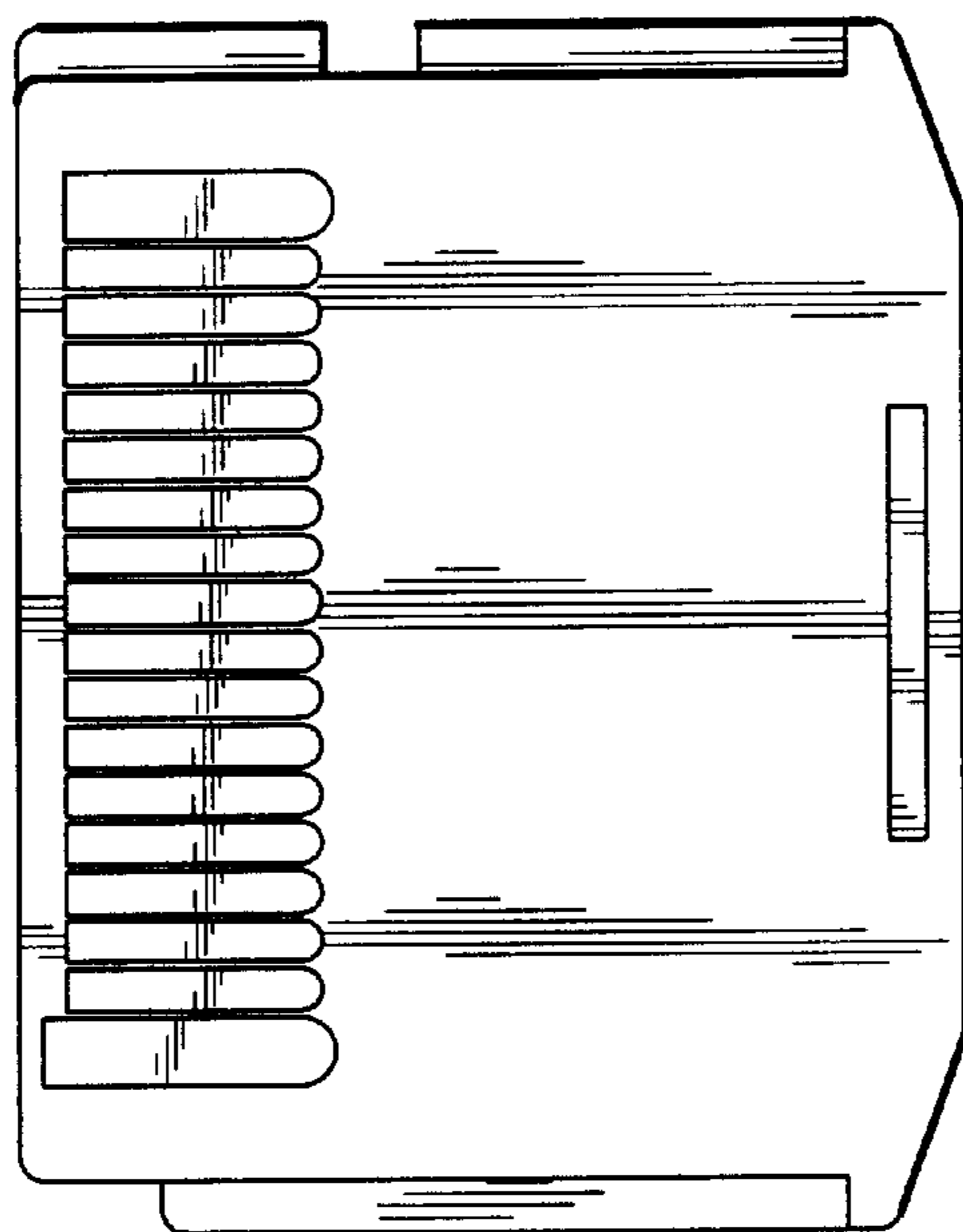


FIG. 9

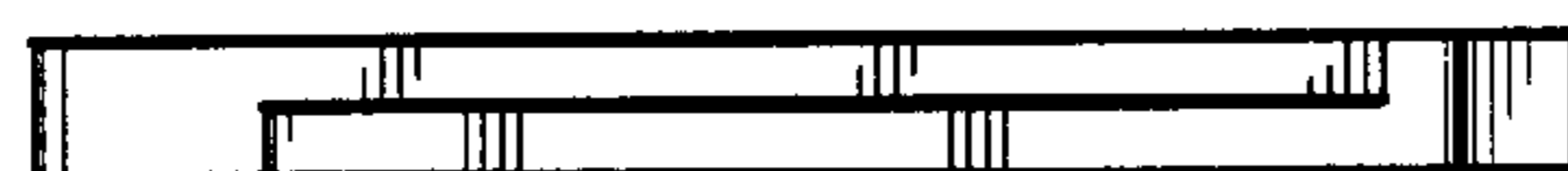


FIG. 11

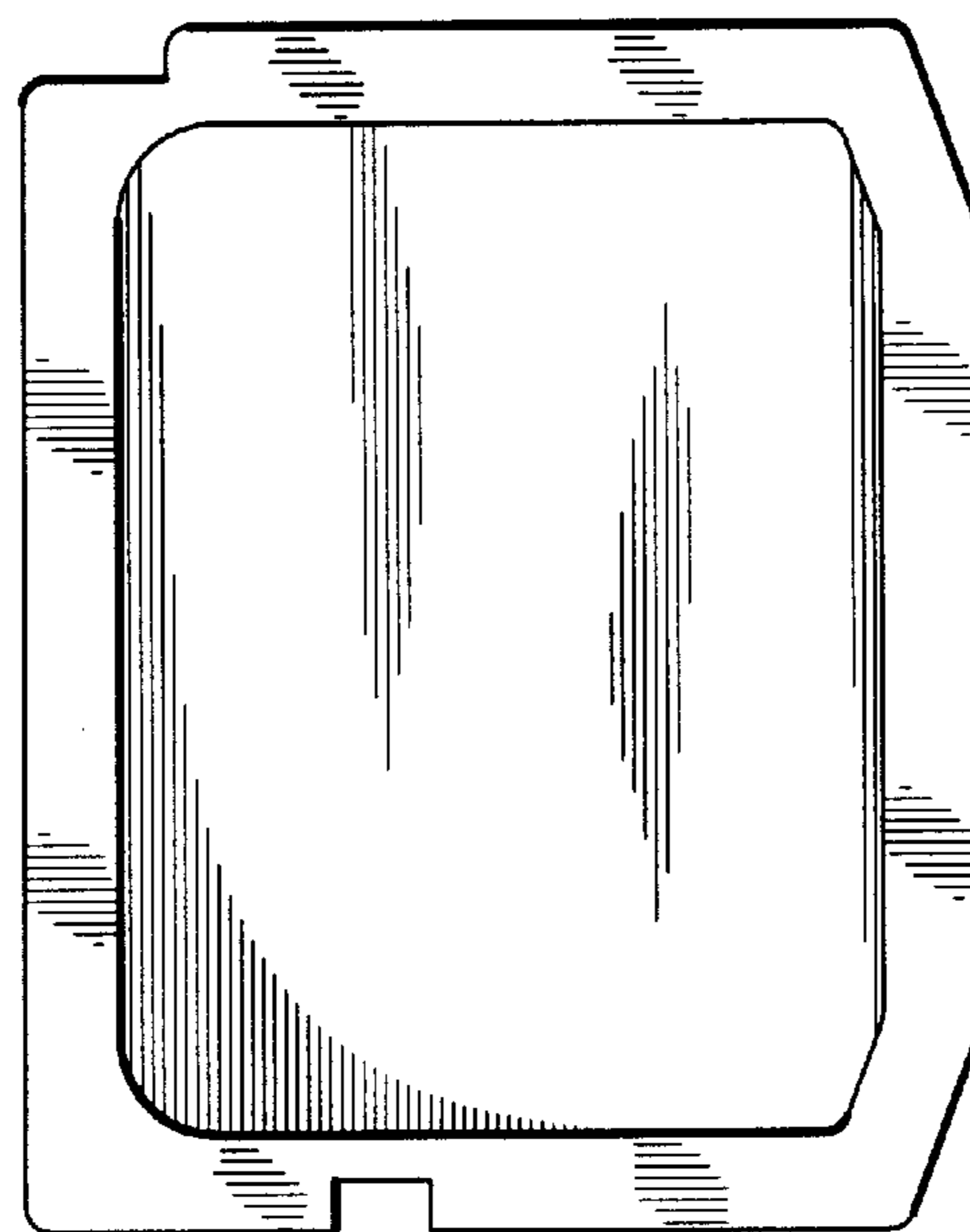


FIG. 10



FIG. 14