



US00D487744S

(12) **United States Design Patent**
Hervig et al.

(10) **Patent No.:** **US D487,744 S**

(45) **Date of Patent:** **** Mar. 23, 2004**

(54) **COMPUTER MOUSE**

D332,093 S * 12/1992 Yang D14/417
D362,242 S * 9/1995 Siano, Jr. D14/403

(76) Inventors: **Dana P. Hervig**, 1450 102nd St. E.,
Inver Grove Heights, MN (US) 55077;
Dennis D. Heard, 4509 2nd Ave. S.,
Mpls., MN (US) 55409

* cited by examiner

Primary Examiner—Kay H. Chin

(**) Term: **14 Years**

(57) **CLAIM**

(21) Appl. No.: **29/125,434**

The ornamental design for a computer mouse, as shown and described.

(22) Filed: **Jun. 23, 2000**

DESCRIPTION

(51) **LOC (7) Cl.** **14-02**

(52) **U.S. Cl.** **D14/403; D14/402**

(58) **Field of Search** D14/402-410,
D14/417, 432; 200/5 R, 5 A, 6 R, 6 A;
273/148 B; 345/156-167; 74/471 XY; 463/36,
37, 38

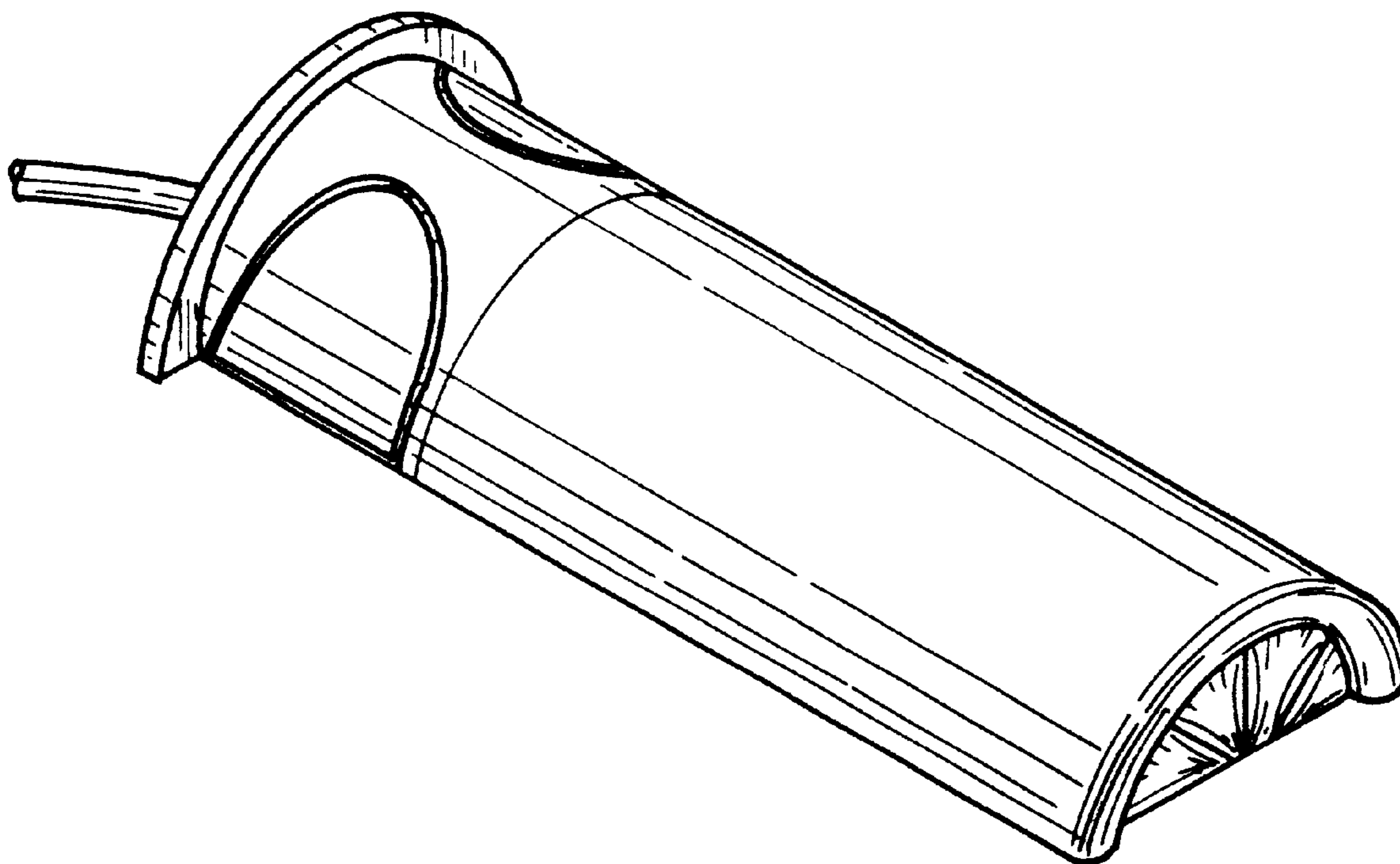
FIG. 1 is a top perspective view of a computer mouse showing our new design;
FIG. 2 is a front elevational view thereof;
FIG. 3 is a rear elevational view thereof;
FIG. 4 is a side elevational view thereof;
FIG. 5 is a top plan view thereof; and,
FIG. 6 is a bottom plan view thereof.

(56) **References Cited**

U.S. PATENT DOCUMENTS

D249,144 S * 8/1978 Flanigan et al. D14/420

1 Claim, 4 Drawing Sheets



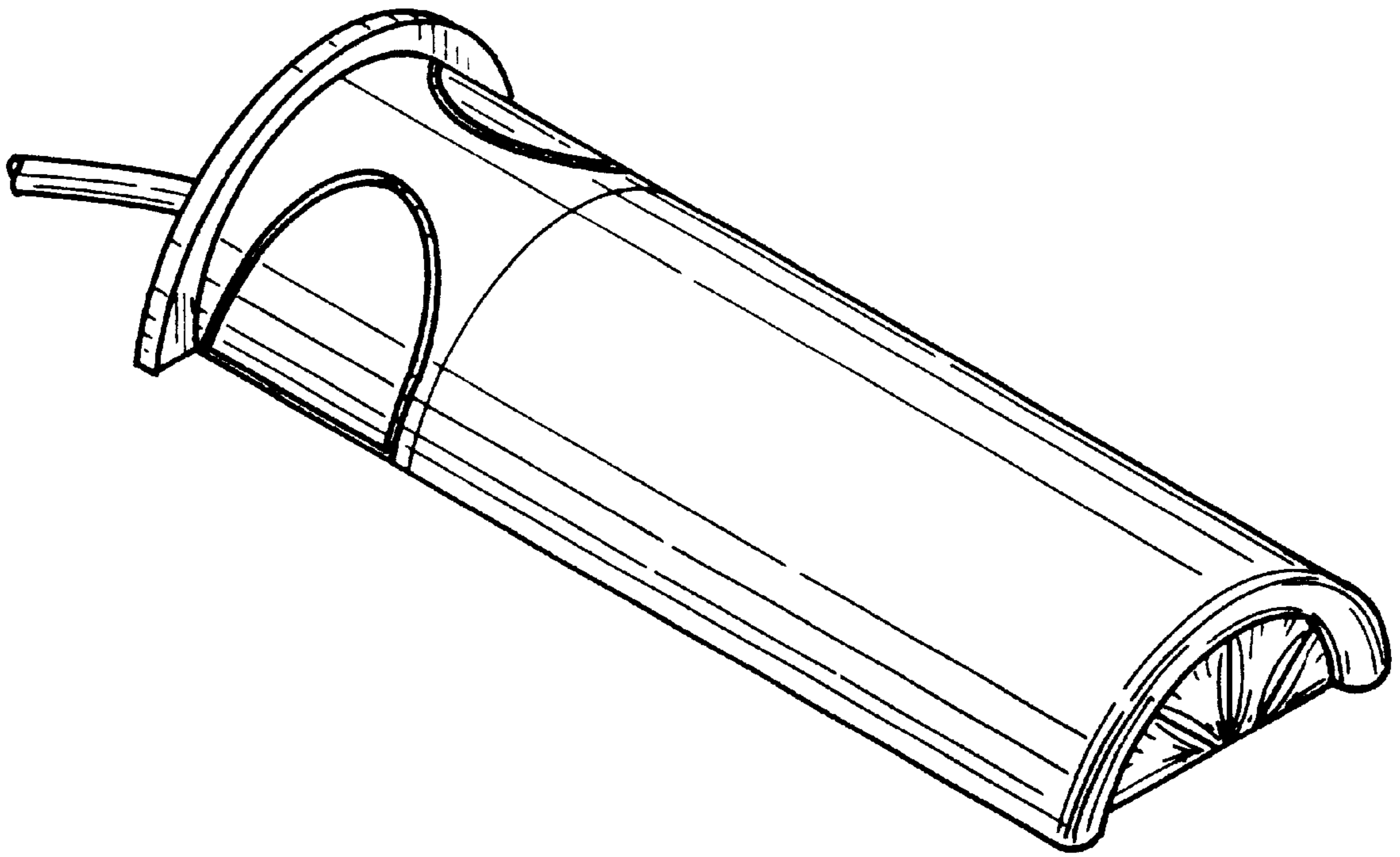


FIG. 1

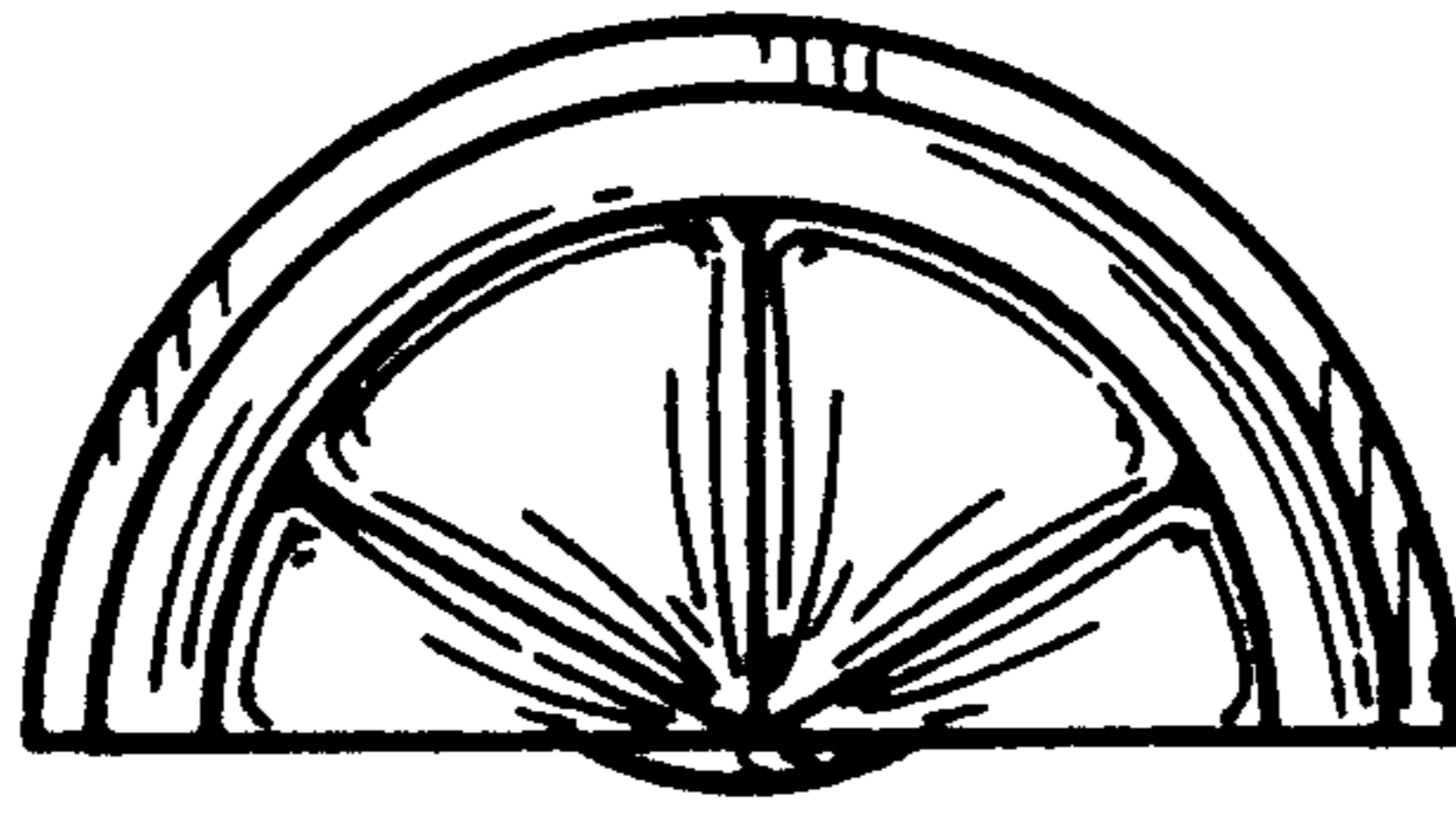


FIG. 2

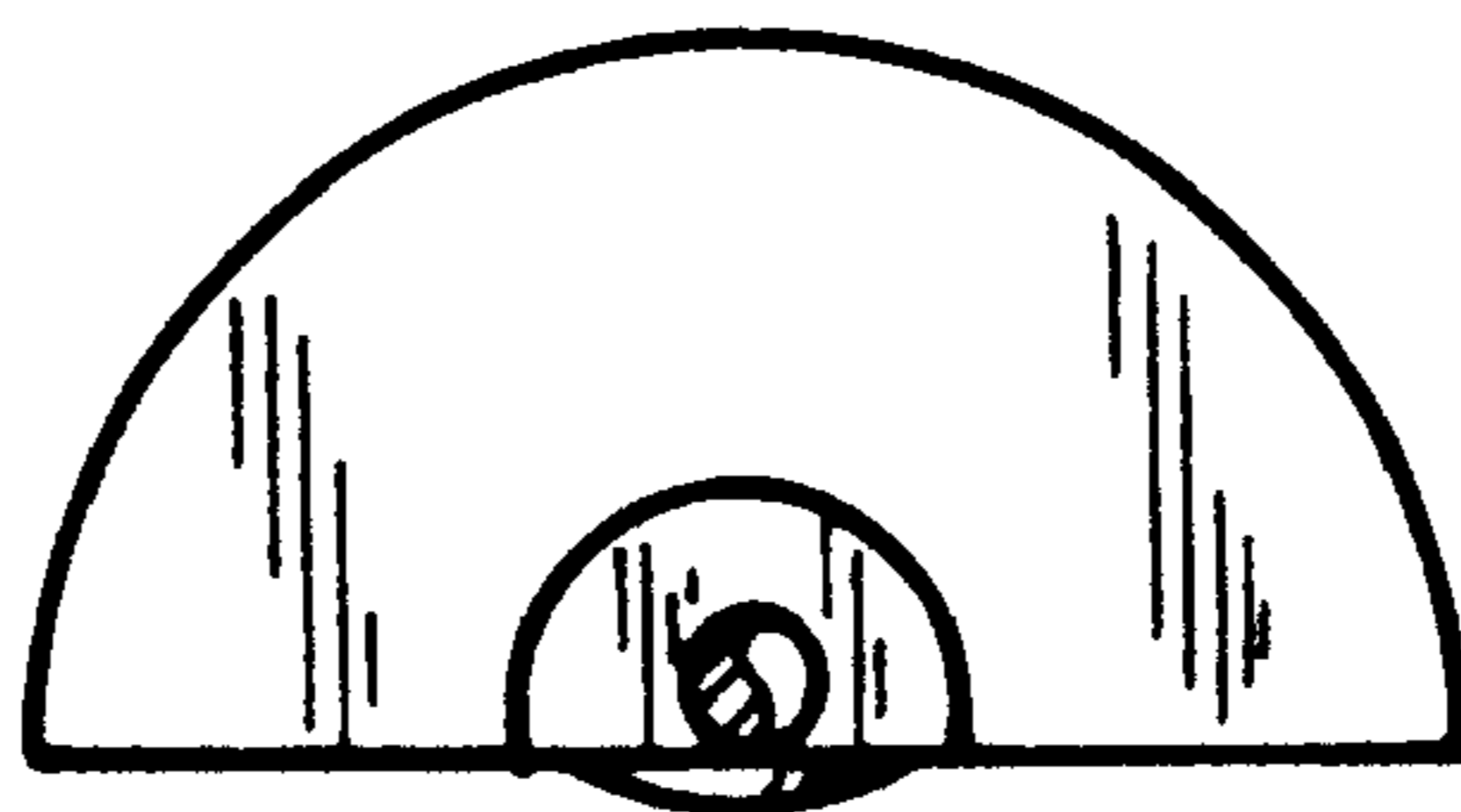


FIG. 3

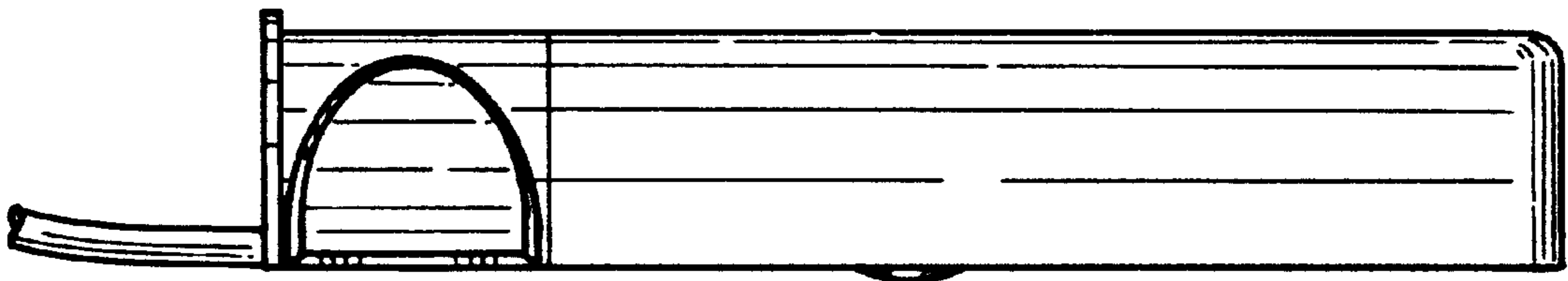


FIG. 4

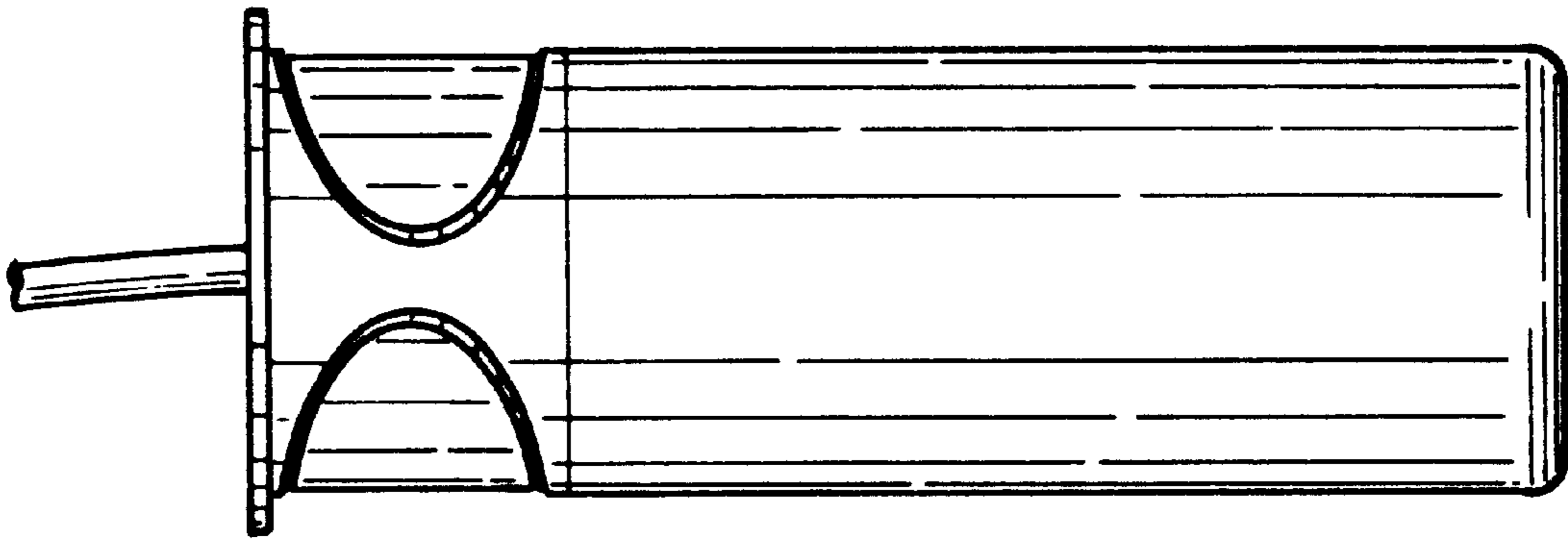


FIG. 5

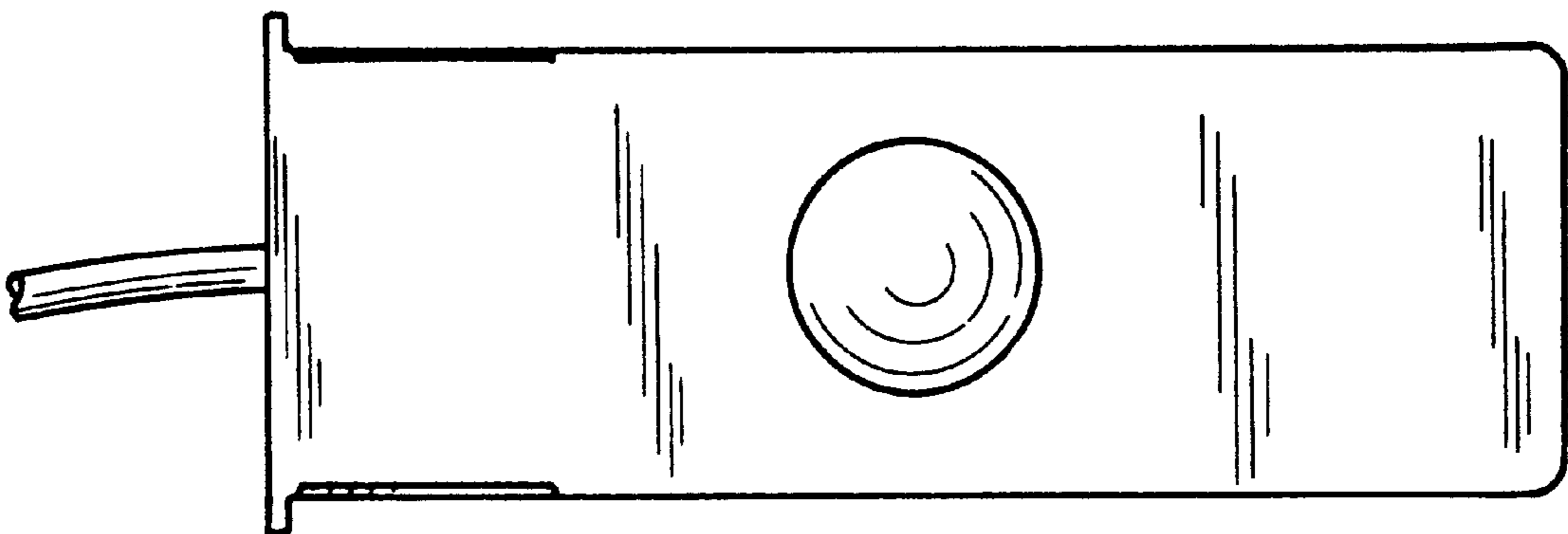


FIG. 6