



US00D487743S

(12) **United States Design Patent**
Kim

(10) **Patent No.:** **US D487,743 S**

(45) **Date of Patent:** **** Mar. 23, 2004**

(54) **COMPUTER**

(75) Inventor: **Kyung Min Kim**, Seoul (KR)

(73) Assignee: **LG Electronics, Inc.**, Seoul (KR)

(**) Term: **14 Years**

(21) Appl. No.: **29/181,230**

(22) Filed: **May 8, 2003**

(30) **Foreign Application Priority Data**

Nov. 13, 2002 (KR) 30-2002-0032306

(51) **LOC (7) Cl.** **14-02**

(52) **U.S. Cl.** **D14/349**

(58) **Field of Search** D4/300, 308, 310,
D4/312, 313, 348-355; 361/683, 724; 312/223.2

(56) **References Cited**

U.S. PATENT DOCUMENTS

- D284,860 S * 7/1986 Carroll, III et al. D14/349
- D370,467 S * 6/1996 Barthelemy et al. D14/332
- D405,063 S * 2/1999 Lee et al. D14/349
- 6,054,662 A * 4/2000 Hrehor, Jr. et al. 200/332
- D442,175 S * 5/2001 Lee et al. D14/349

- 6,288,333 B1 * 9/2001 Liu et al. 361/683 X
- 6,430,041 B1 * 8/2002 Johnson et al. 361/687
- 6,437,976 B1 * 8/2002 Wolff et al. 361/683
- 6,480,398 B1 * 11/2002 Fiora et al. 361/683 X
- D478,586 S * 8/2003 Lee et al. D14/349
- 2002/0109966 A1 * 8/2002 Crowley 361/683

* cited by examiner

Primary Examiner—Joel Sincavage

(74) *Attorney, Agent, or Firm*—Birch, Stewart, Kolasch & Birch, LLP

(57) **CLAIM**

The ornamental design for a <computer>, as shown and described.

DESCRIPTION

FIG. 1 is a perspective view of <computer> showing the new design:

FIG. 2 is a front view thereof;

FIG. 3 is a rear view thereof;

FIG. 4 is a left-side view thereof;

FIG. 5 is a right-side view thereof;

FIG. 6 is a top plan view thereof; and,

FIG. 7 is a bottom plan view thereof.

1 Claim, 4 Drawing Sheets

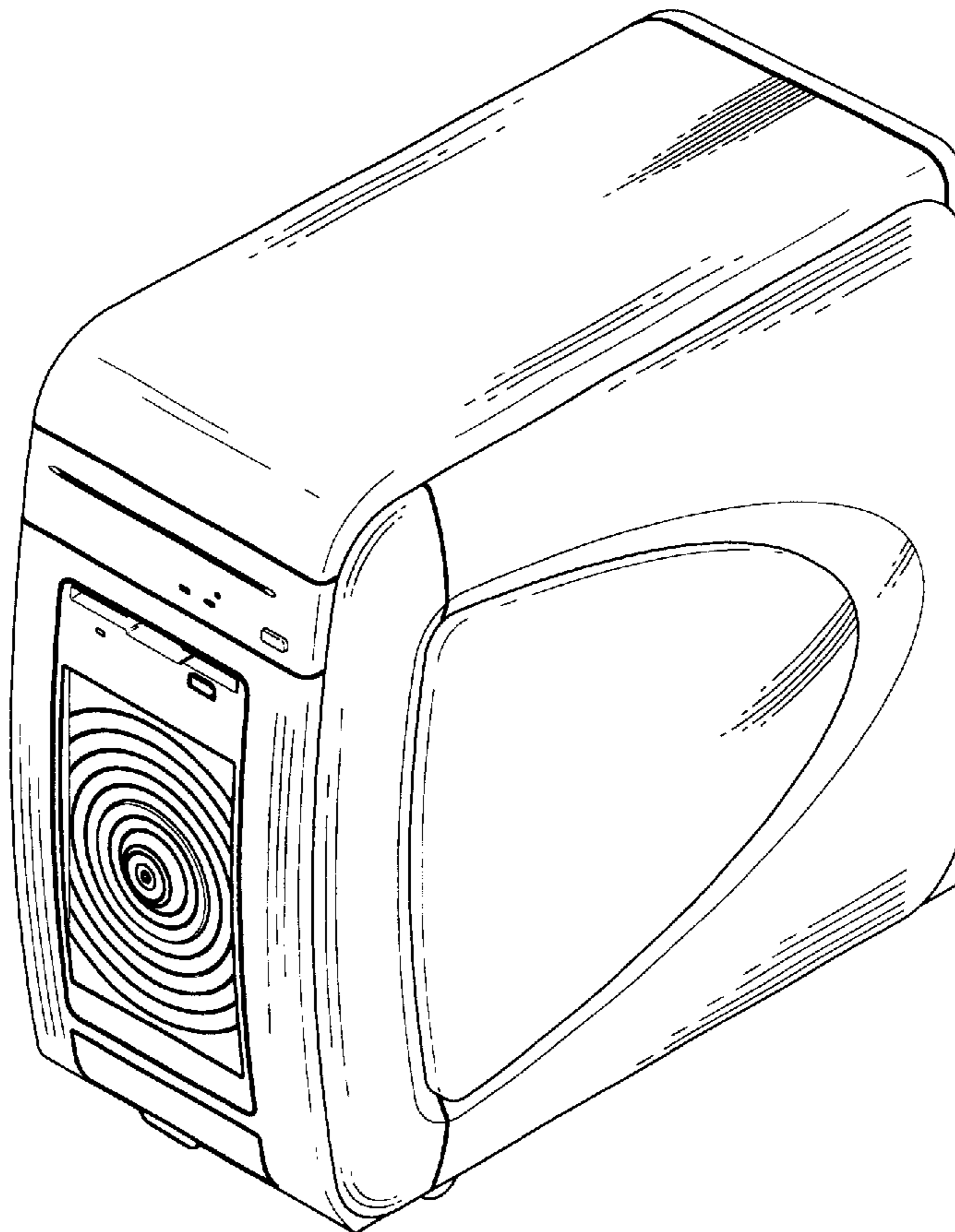


FIG. 1

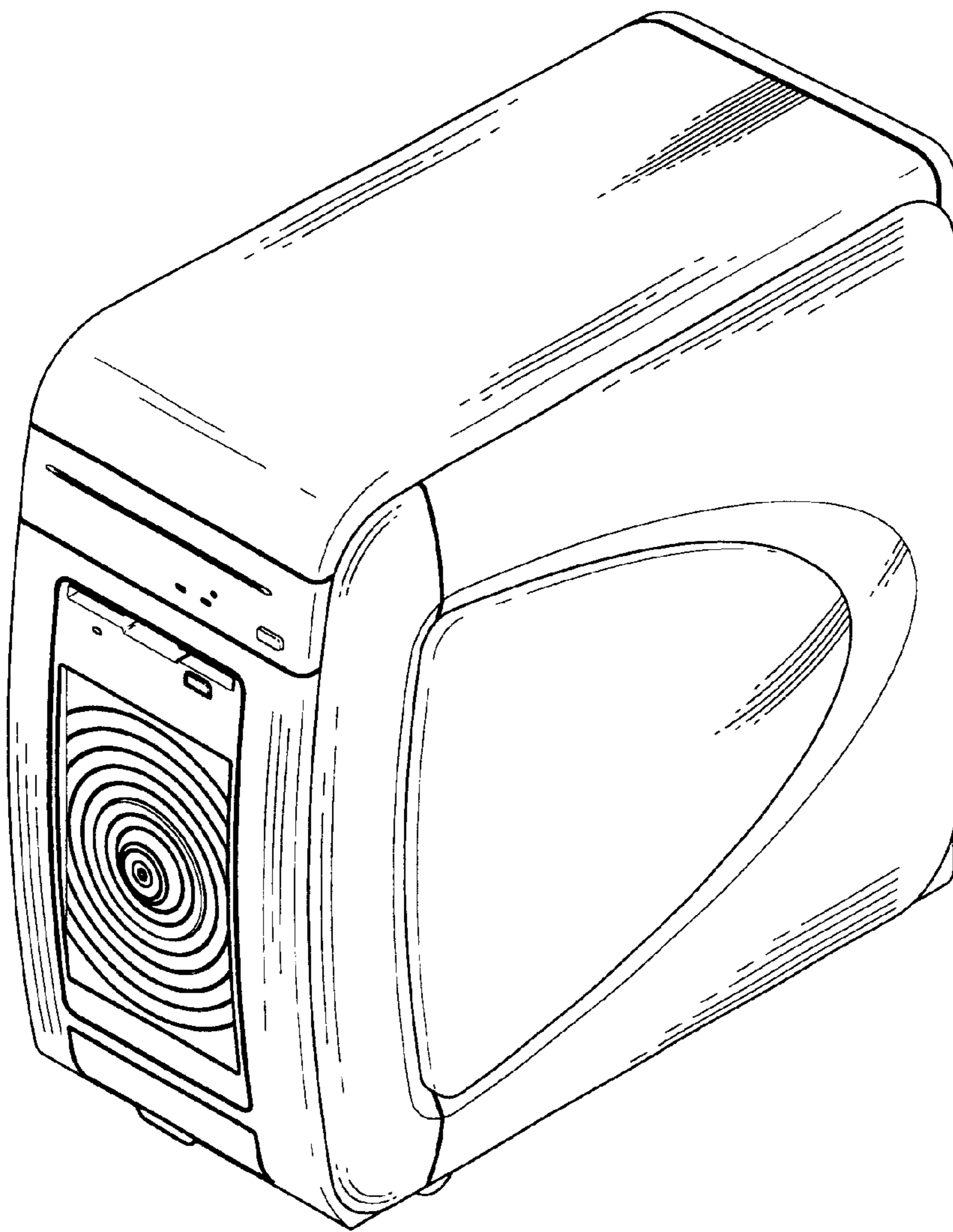


FIG. 2

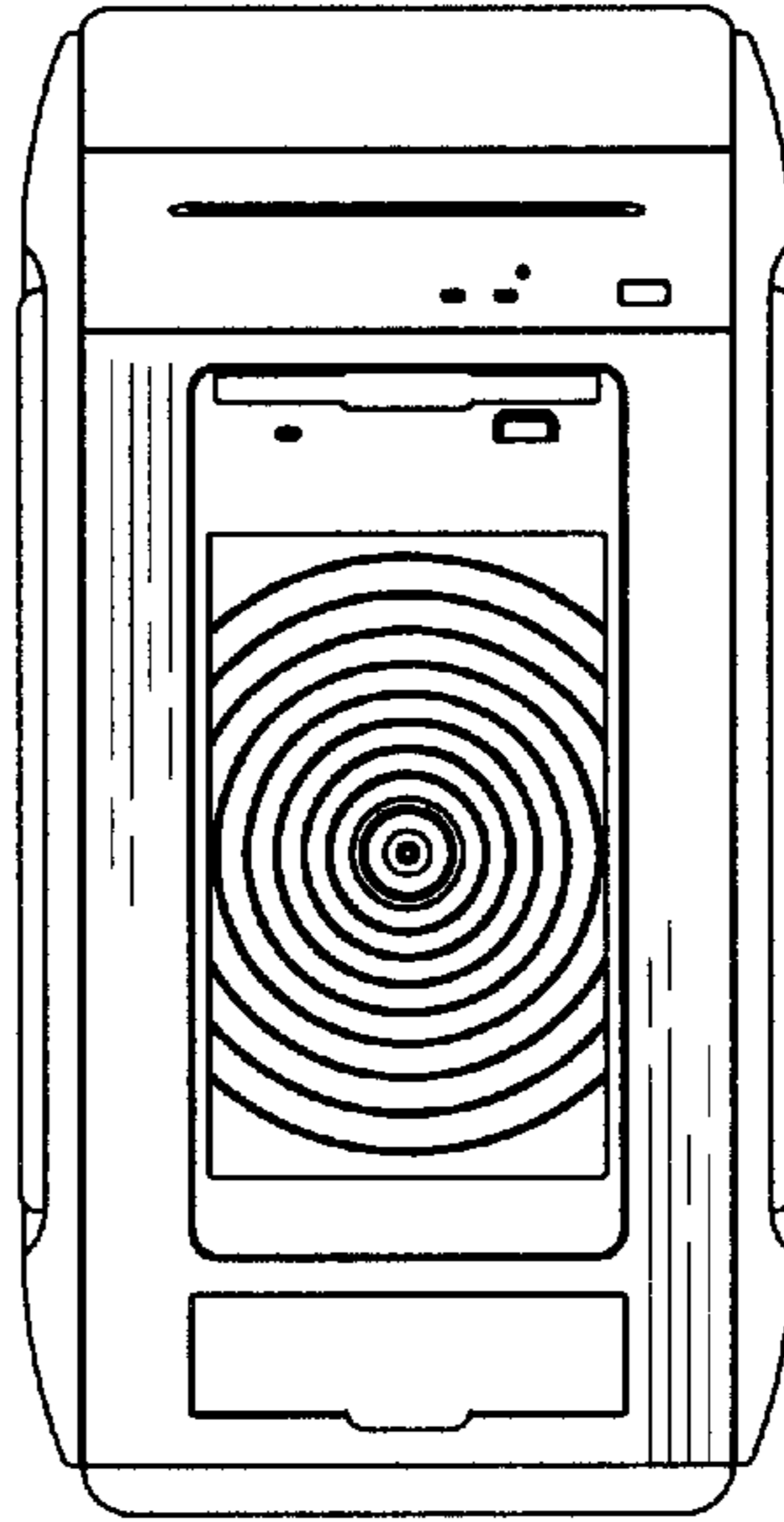


FIG. 3

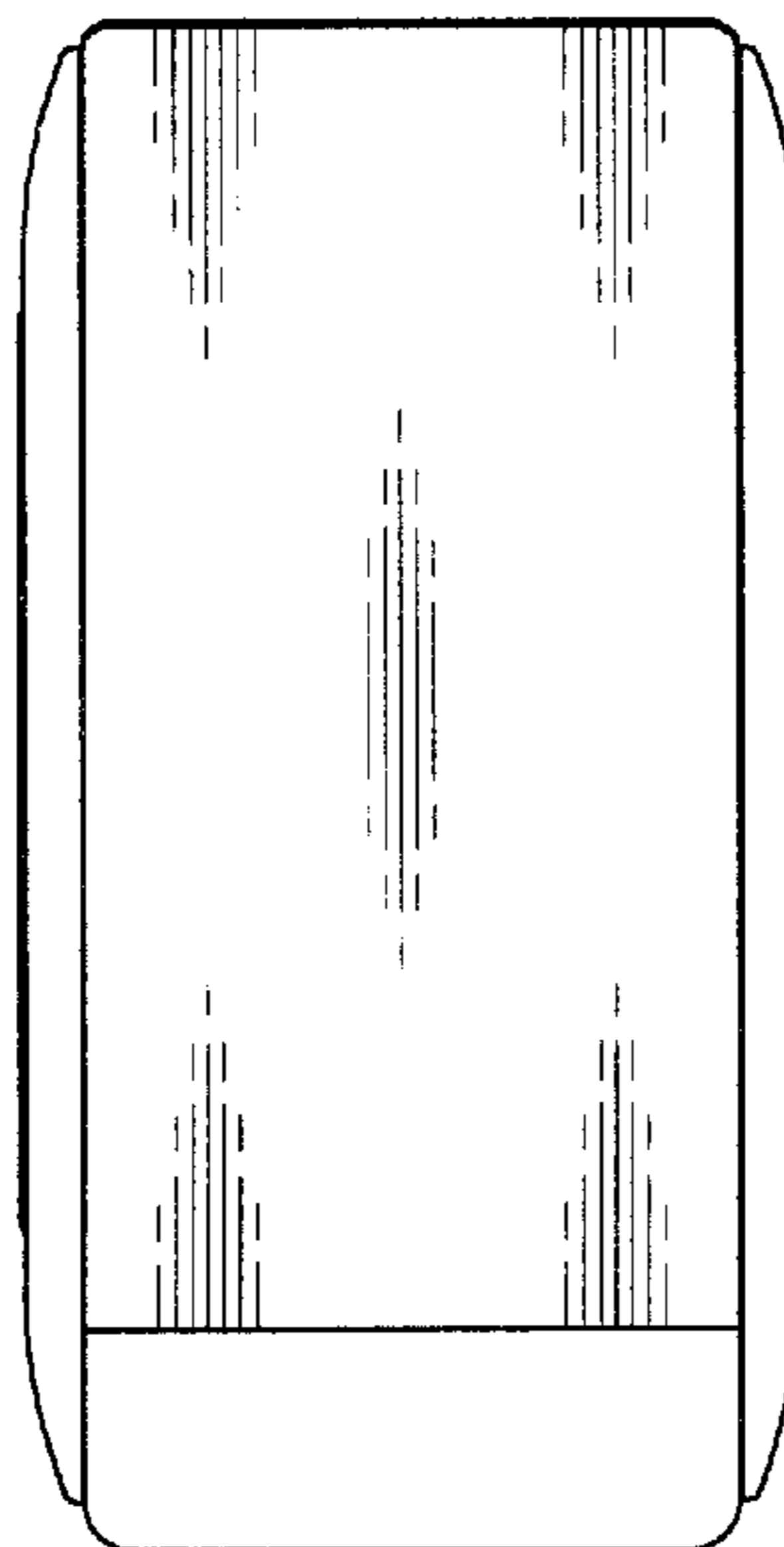


FIG. 4

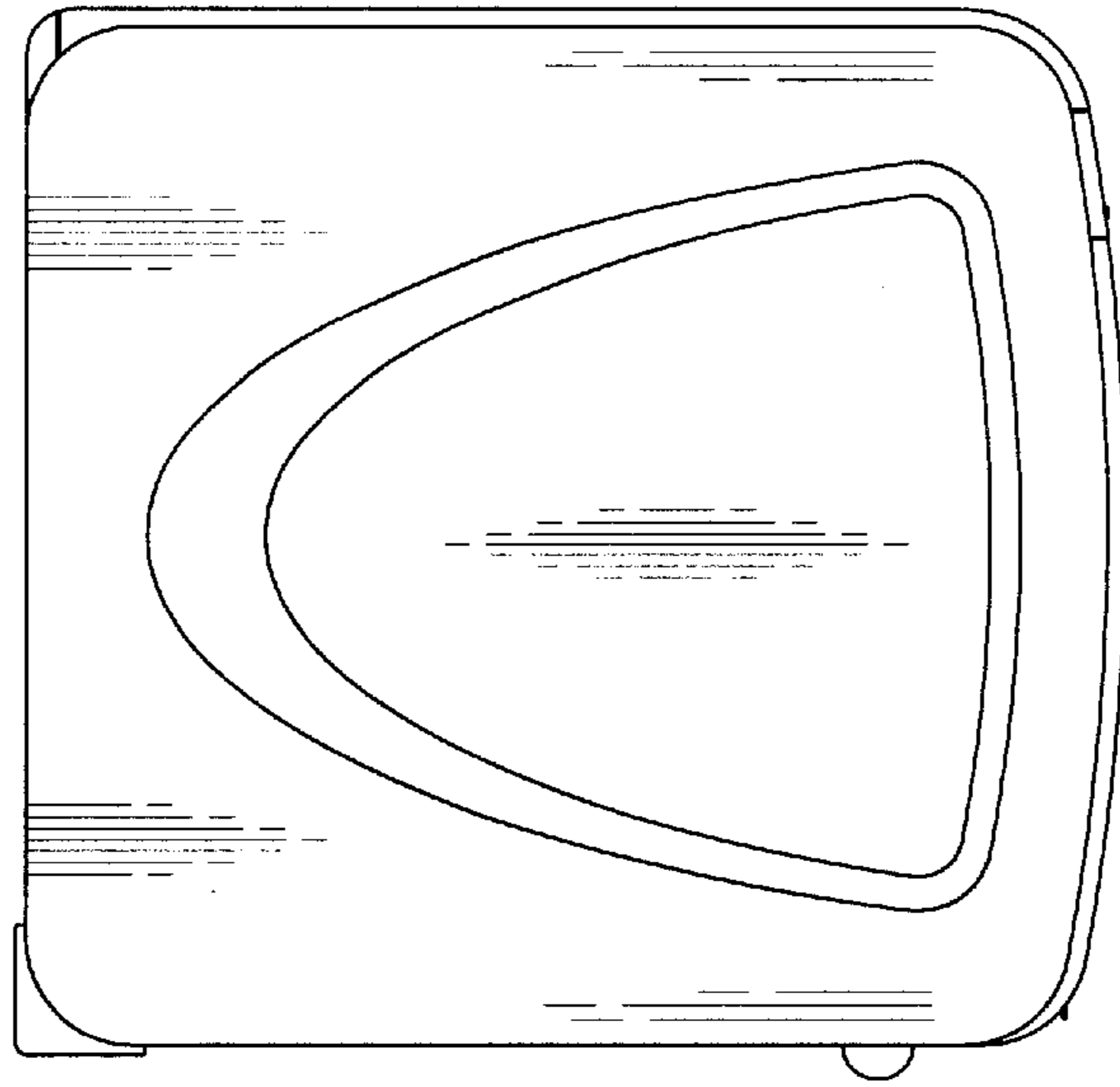


FIG. 5

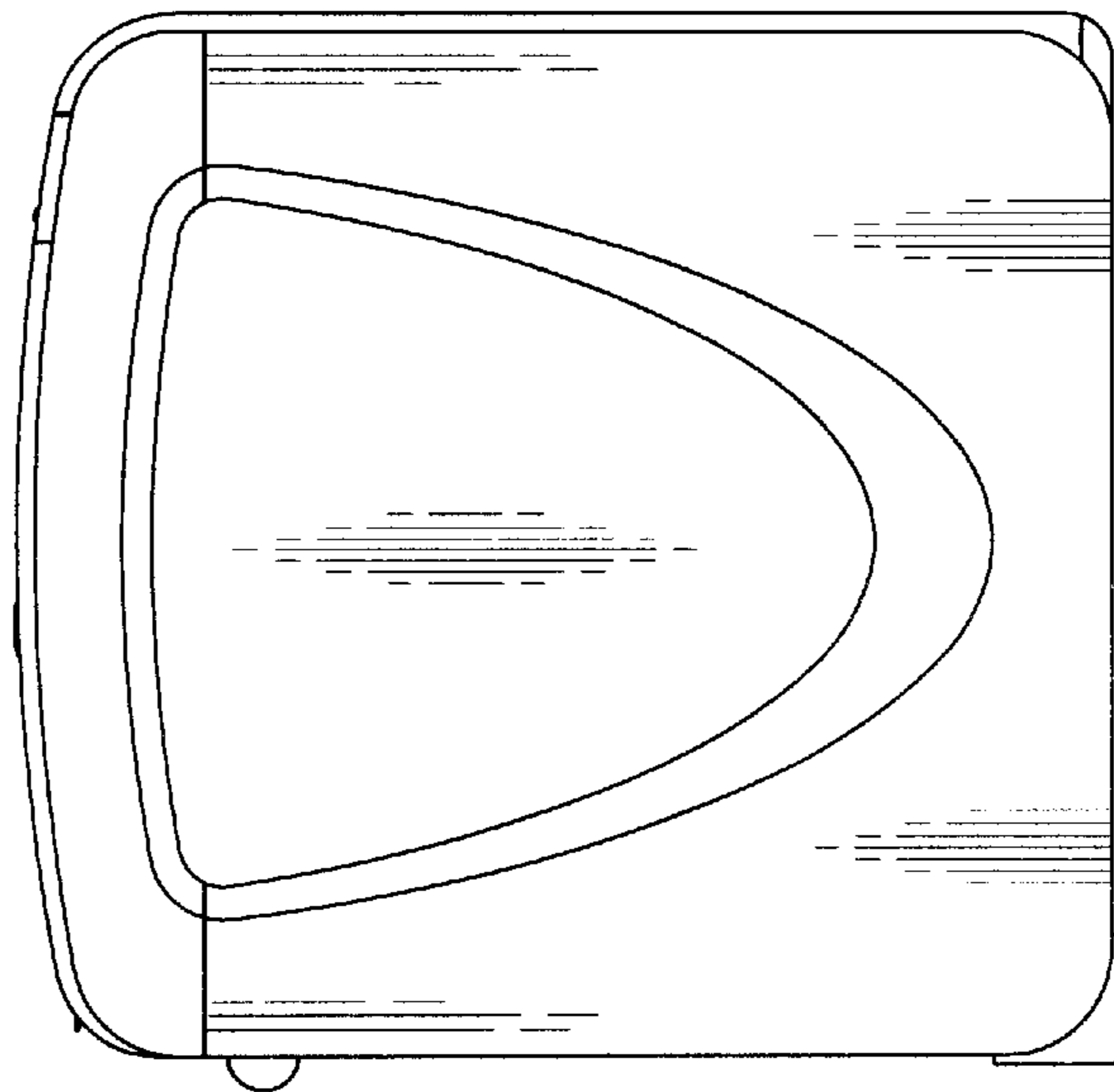


FIG. 6

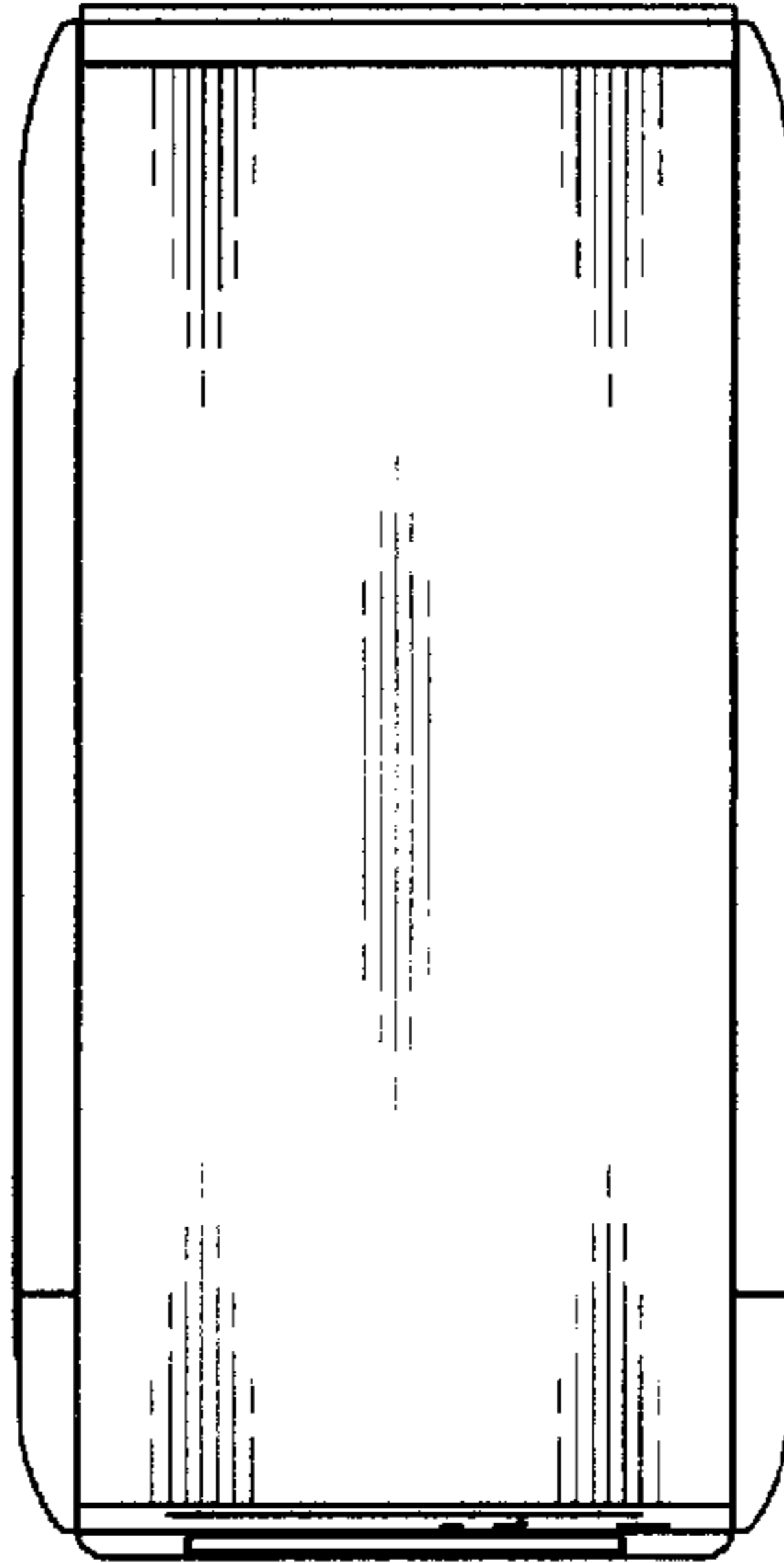


FIG. 7

