



US00D487739S

(12) **United States Design Patent**
Wise

(10) **Patent No.:** **US D487,739 S**

(45) **Date of Patent:** **** Mar. 23, 2004**

(54) **MICROPHONE**

(75) **Inventor:** **Bernard L. Wise, Agoura, CA (US)**

(73) **Assignee:** **Baltic Universal Electronics, LLC,**
Westlake Village, CA (US)

(**) **Term:** **14 Years**

(21) **Appl. No.:** **29/181,588**

(22) **Filed:** **May 8, 2003**

(51) **LOC (7) Cl. 14-01**

(52) **U.S. Cl. D14/225**

(58) **Field of Search D14/224, 225,**
D14/226, 227, 228, 229; 181/158, 157,
181, 242, 355, 356, 357, 358, 359, 360,
361, 369; 381/357, 358

(56) **References Cited**

U.S. PATENT DOCUMENTS

D197,466 S * 2/1964 Spilman D14/225
D230,990 S * 3/1974 Kollesberger D14/228

D310,368 S * 9/1990 Derhaag et al. D14/228
D397,119 S * 8/1998 Okon et al. D14/228
D449,041 S * 10/2001 Koike D14/228
D462,343 S * 9/2002 Wang et al. D14/228
D479,836 S * 9/2003 Thornton et al. D14/228

* cited by examiner

Primary Examiner—Paula A. Mortimer

(74) *Attorney, Agent, or Firm*—Jack C. Munro

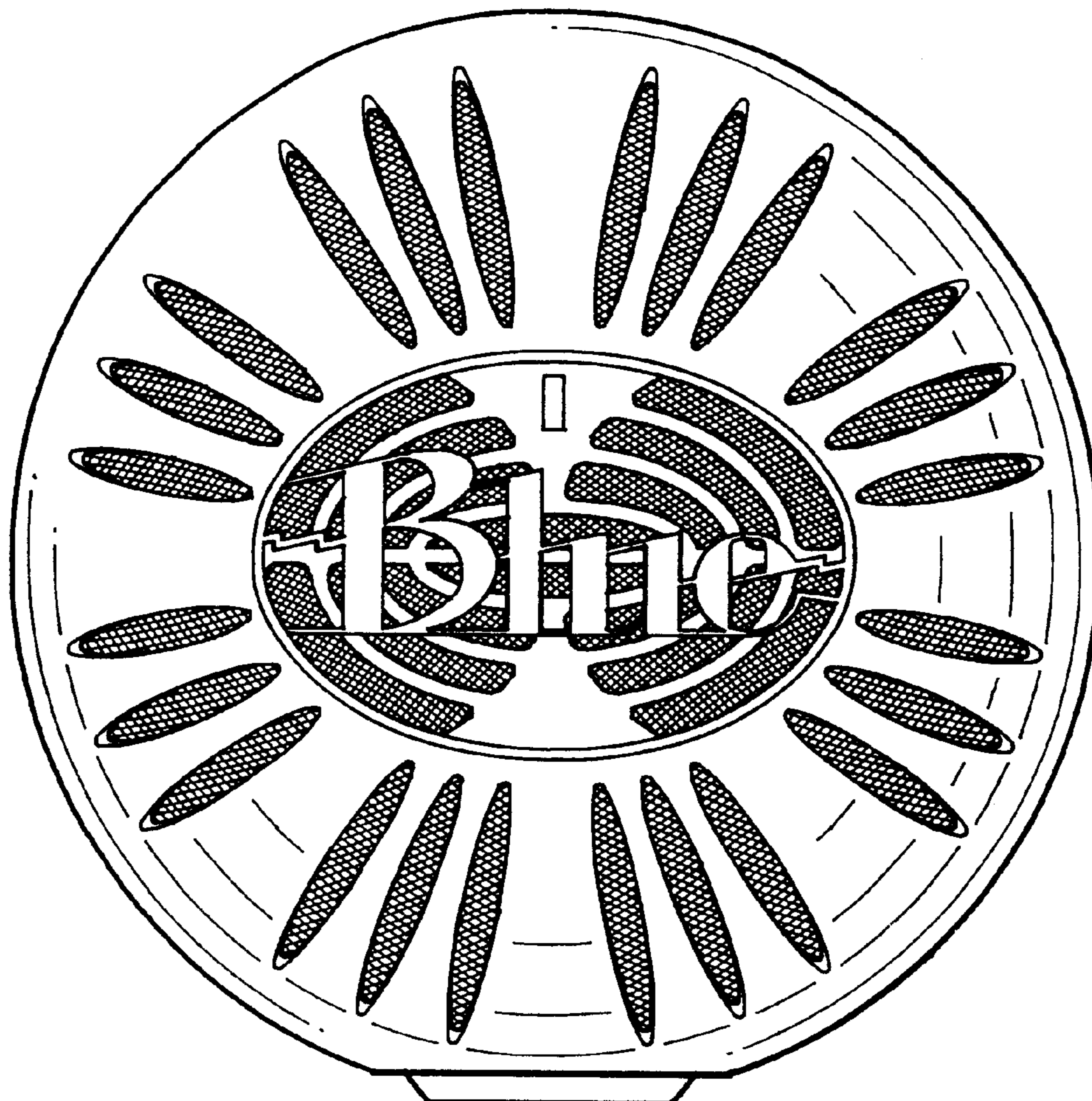
(57) **CLAIM**

The ornamental design for microphone, as shown and described.

DESCRIPTION

FIG. 1 is a front elevational view of the microphone showing my new design;
FIG. 2 is a top plan view thereof;
FIG. 3 is a left side elevational view thereof;
FIG. 4 is a right side elevational view thereof;
FIG. 5 is a rear elevational view thereof; and,
FIG. 6 is a bottom elevational view thereof.

1 Claim, 3 Drawing Sheets



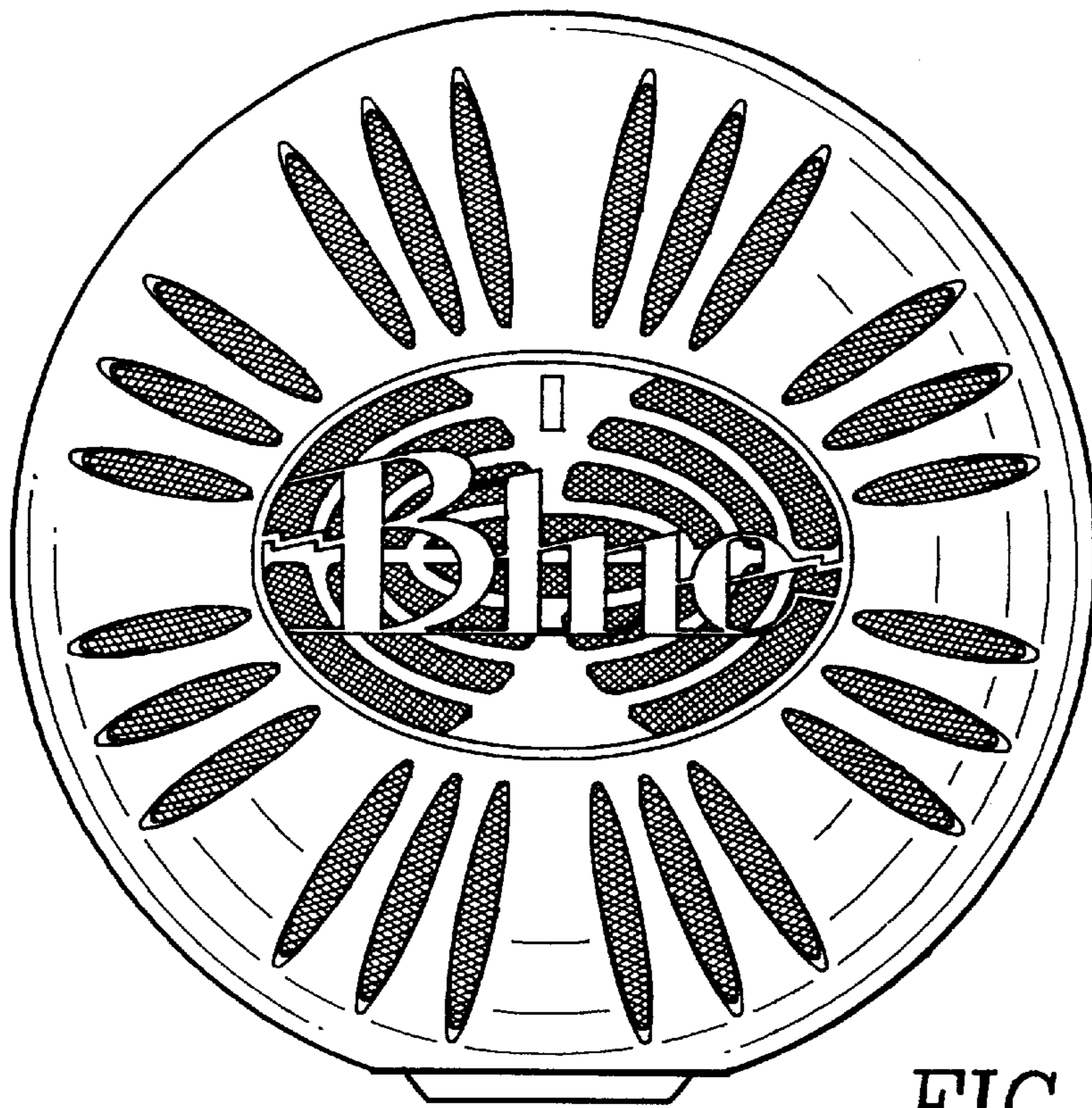


FIG. 1

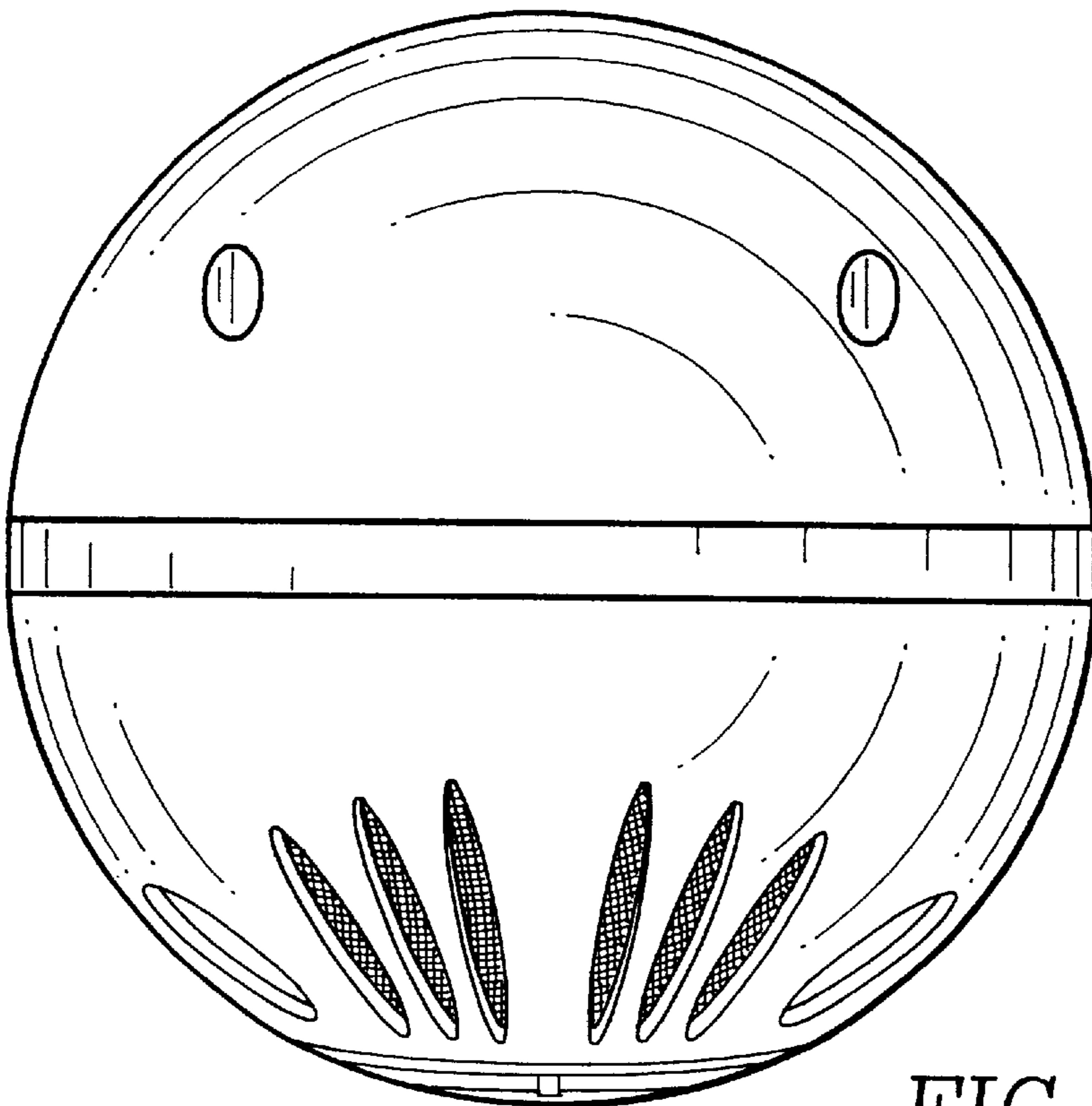


FIG. 2

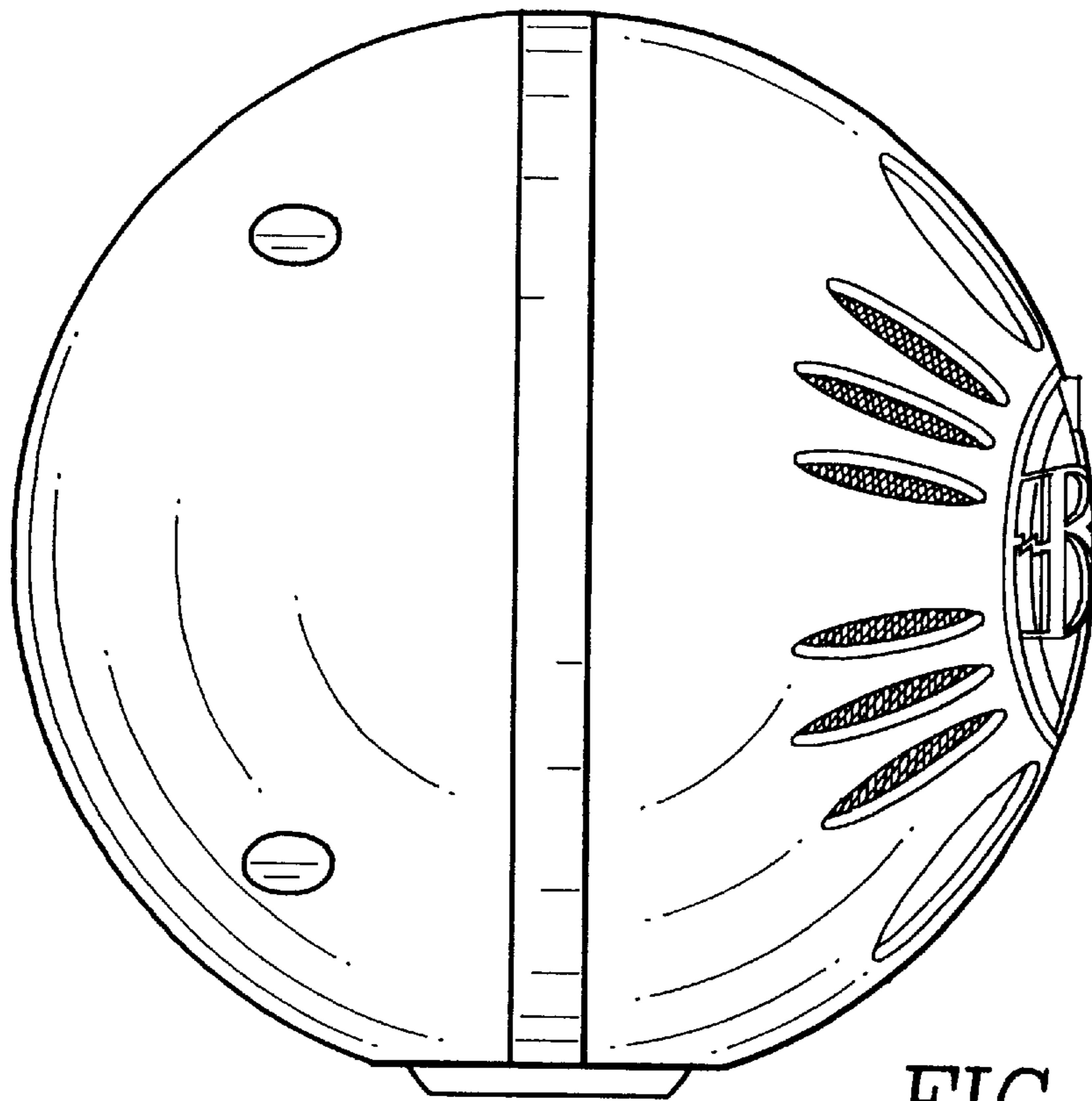


FIG. 3

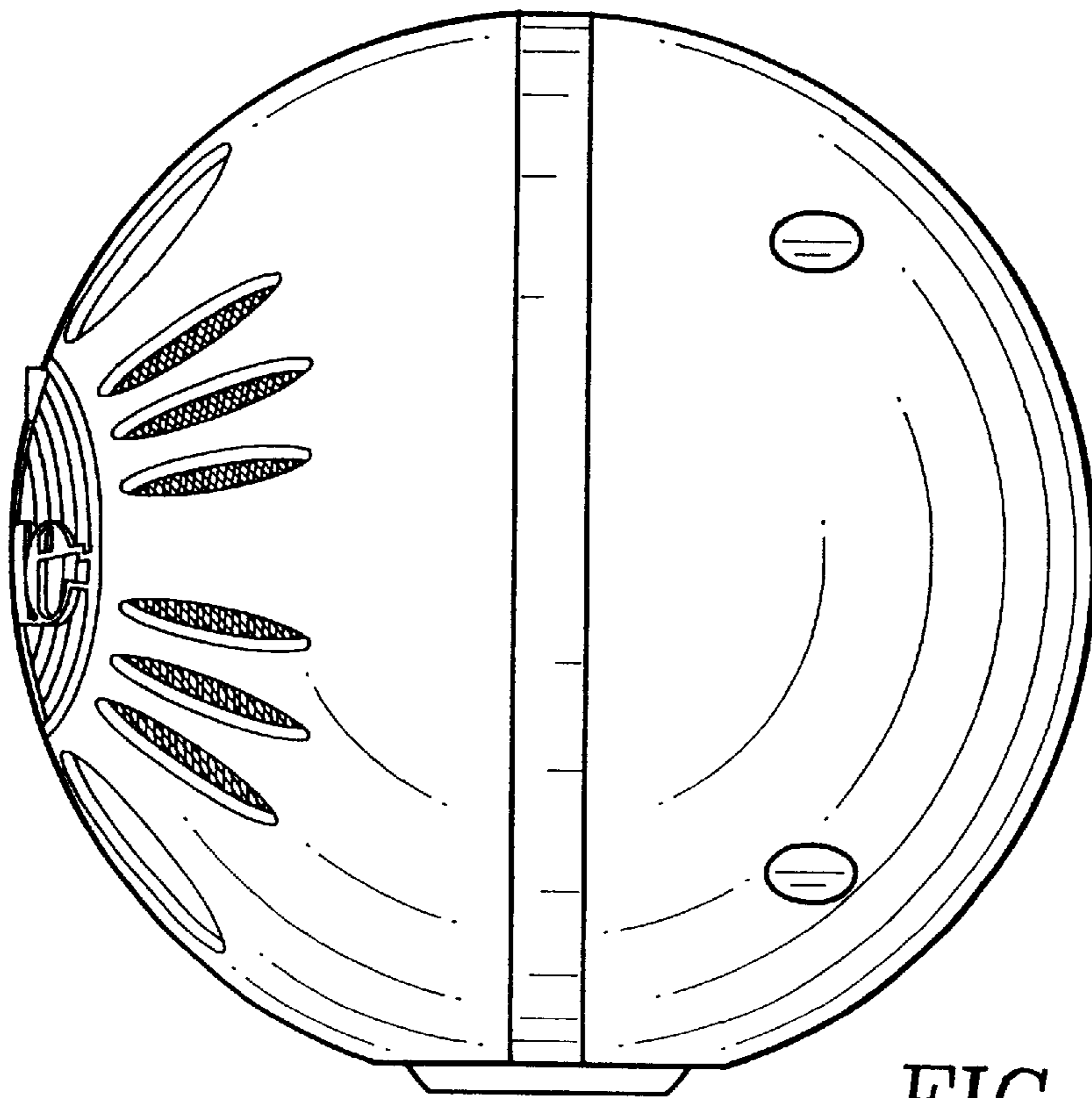


FIG. 4

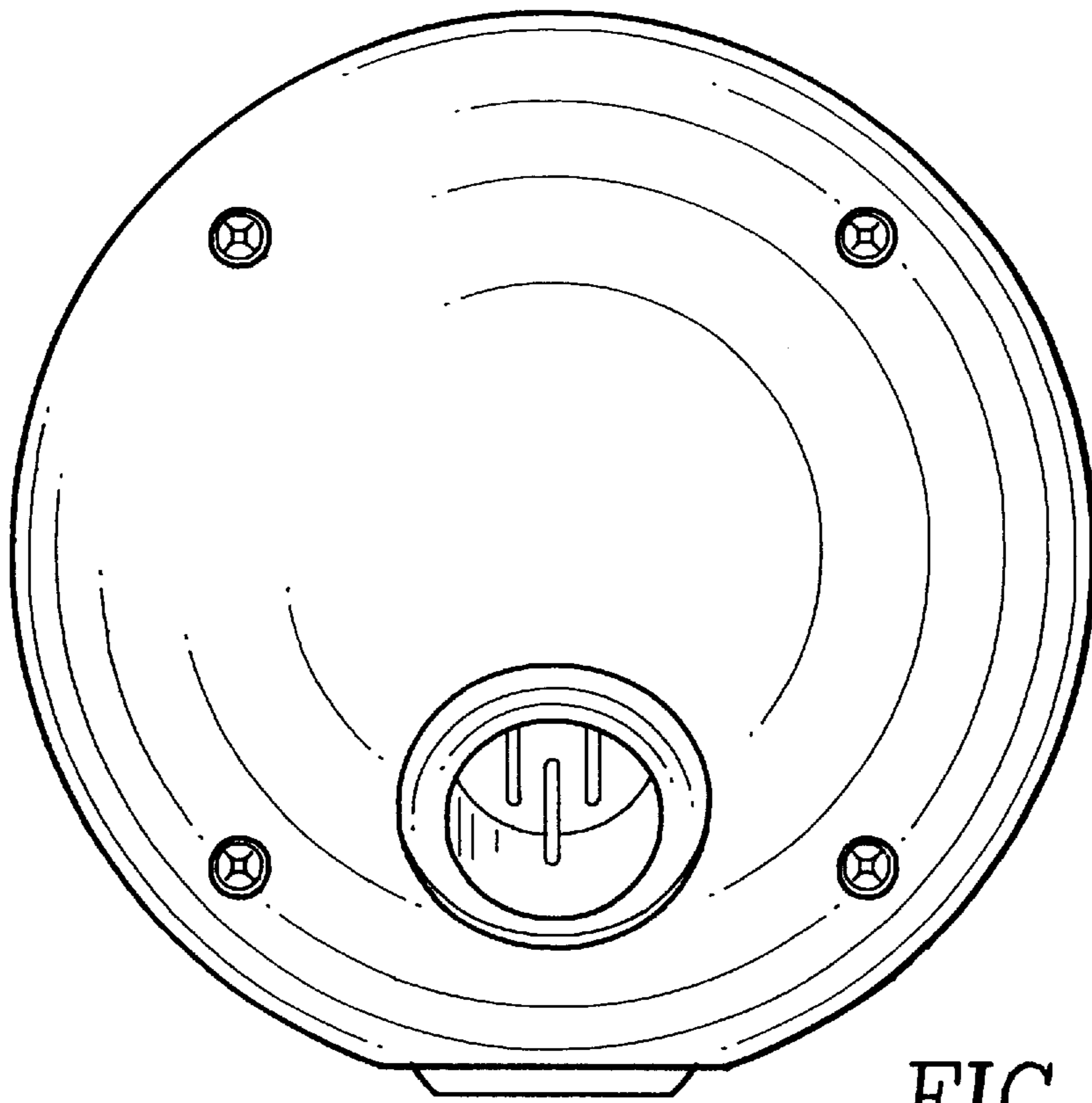


FIG. 5

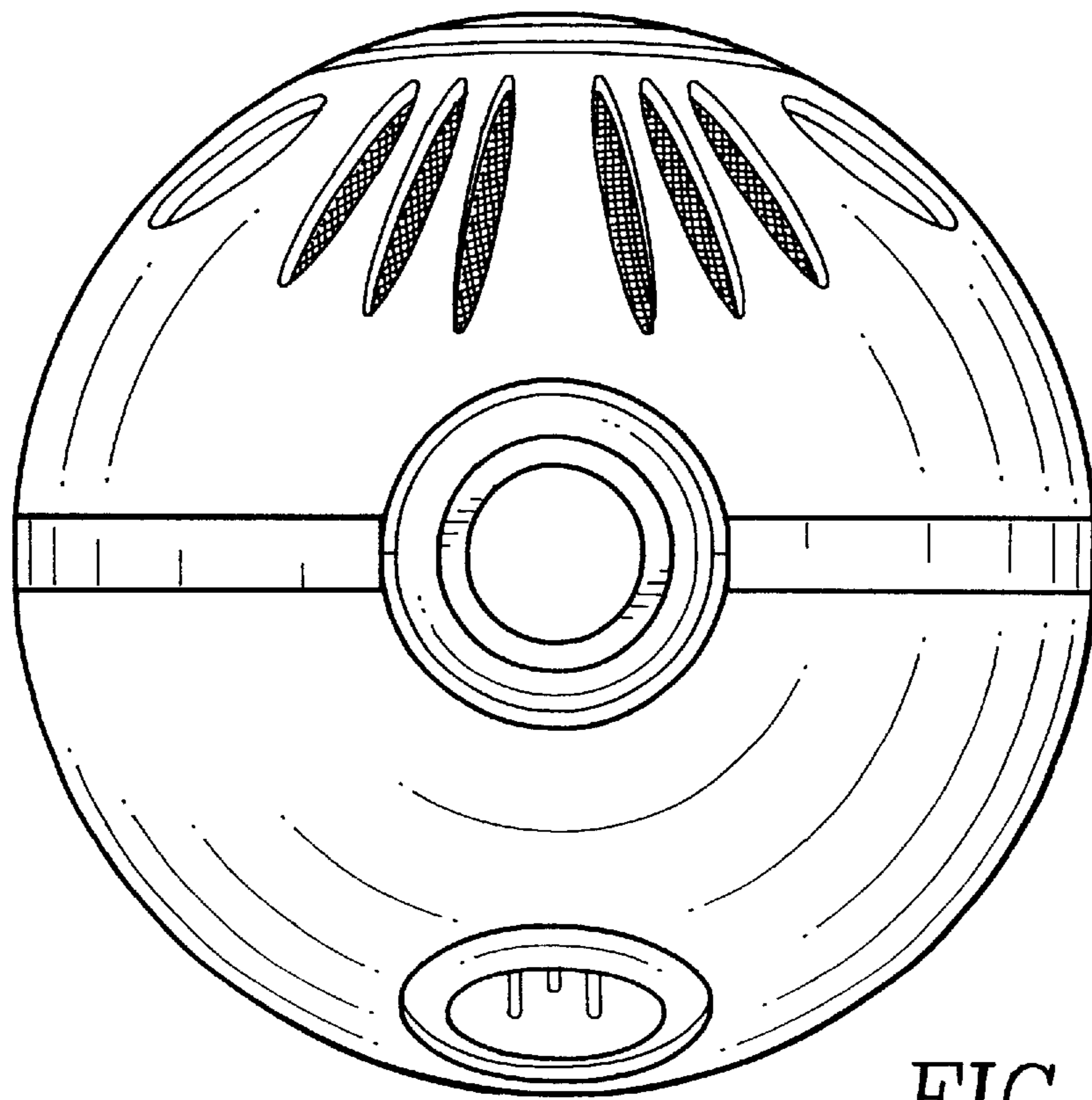


FIG. 6