



US00D487738S

(12) **United States Design Patent**
Iijima et al.

(10) **Patent No.:** **US D487,738 S**

(45) **Date of Patent:** **** Mar. 23, 2004**

(54) **SPEAKER**

D448,017 S * 9/2001 Hasbrook D14/216

(75) Inventors: **Takekazu Iijima**, Tokyo (JP); **Yumi Takigami**, Tokyo (JP)

(73) Assignee: **Pioneer Corporation**, Tokyo (JP)

(**) Term: **14 Years**

(21) Appl. No.: **29/183,206**

(22) Filed: **Jun. 10, 2003**

(30) **Foreign Application Priority Data**

Dec. 11, 2002 (JP) 2002-034374

(51) **LOC (7) Cl.** **14-01**

(52) **U.S. Cl.** **D14/216**

(58) **Field of Search** D14/204, 207,
D14/209-216, 356; 181/143-145, 147-148,
150, 153, 157, 198-199; 381/300-302,
306, 333, 345, 361-364, 386-388

(56) **References Cited**

U.S. PATENT DOCUMENTS

- D188,542 S * 8/1960 Levy et al. D14/216
- 4,327,257 A * 4/1982 Schwartz 381/405
- D360,886 S * 8/1995 Hall D14/216
- D393,641 S * 4/1998 Hai-Fu D14/216
- D432,118 S * 10/2000 Honnert D14/216

OTHER PUBLICATIONS

Page 36 of "Carrozzeria" Car AV & Audio Catalog issued Jul. 1999.

Page 2 of "Carrozzeria" Subwoofer & RV speaker issued Jun. 1996.

Page 24, 30 and 32 of "2001 Car Entertainment Systems" issued 2001.

* cited by examiner

Primary Examiner—Nanda Bondade

(74) *Attorney, Agent, or Firm*—Sughrue Mion, PLLC

(57) **CLAIM**

The ornamental design for a speaker, as shown.

DESCRIPTION

FIG. 1 is a perspective view of the top, front and right side of a speaker showing our new design;

FIG. 2 is a front elevational view thereof;

FIG. 3 is a rear elevational view thereof;

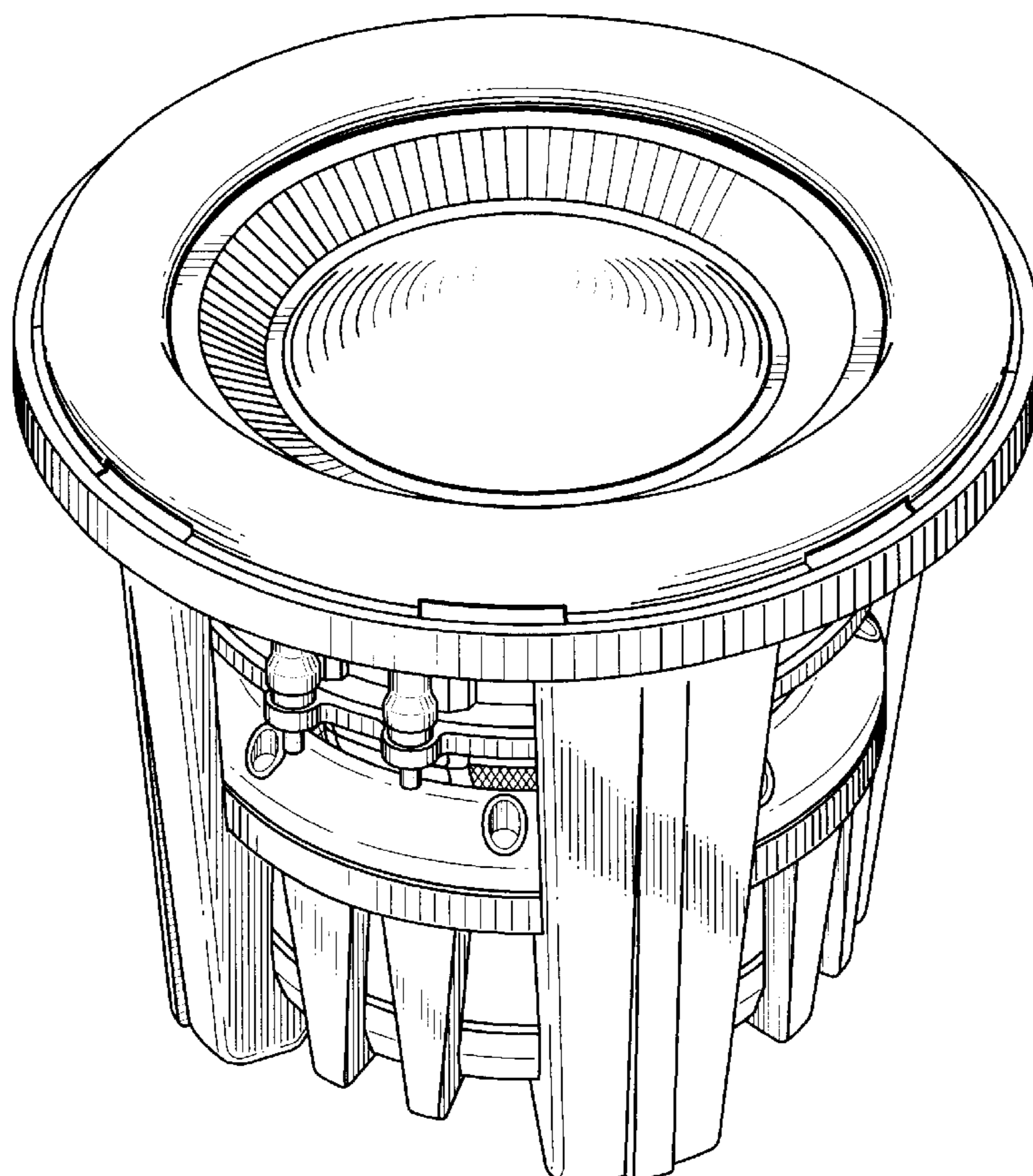
FIG. 4 is a right side elevational view thereof;

FIG. 5 is a left side elevational view thereof;

FIG. 6 is a top plan view thereof; and,

FIG. 7 is a bottom plan view thereof.

1 Claim, 7 Drawing Sheets



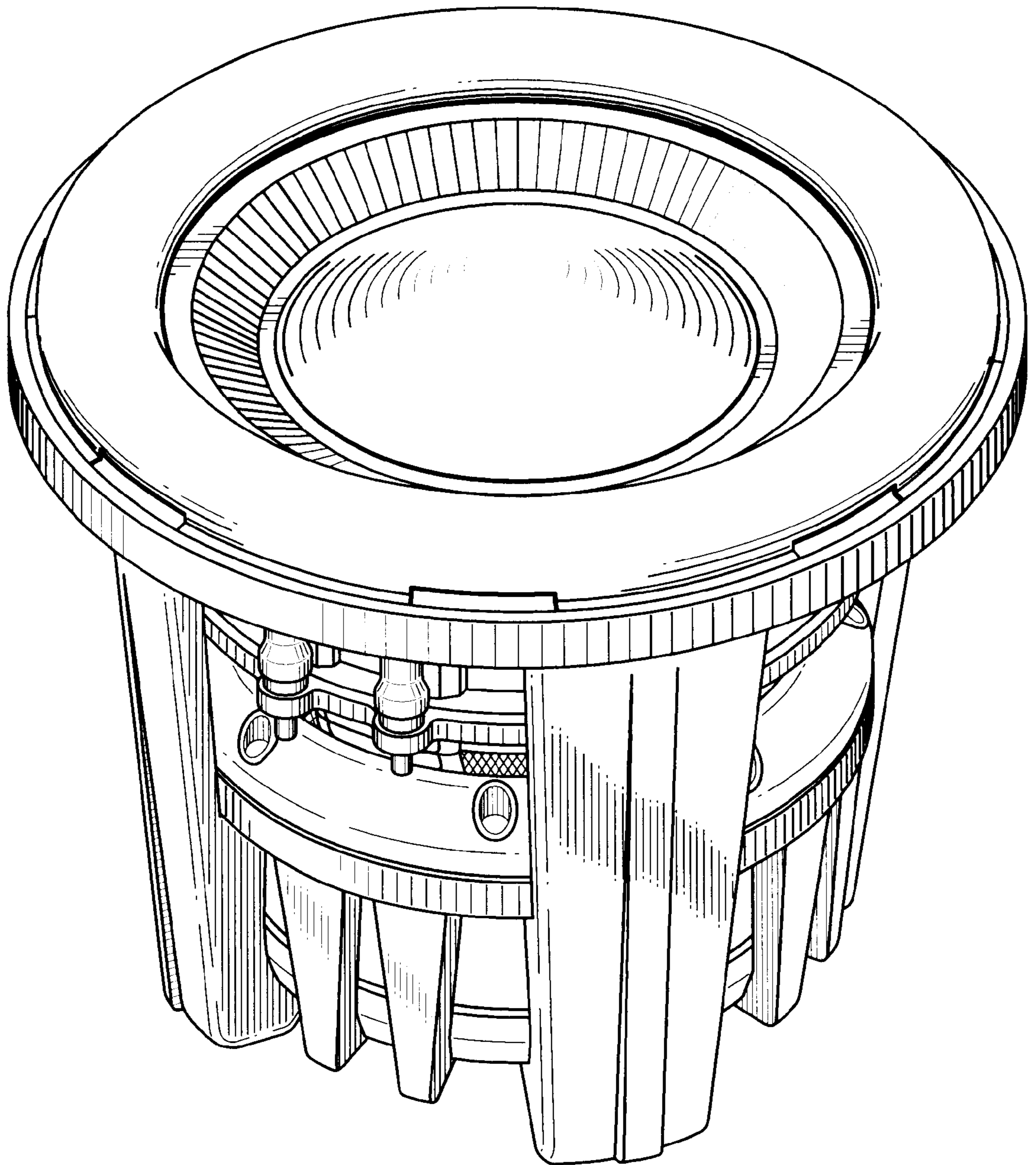


FIG. 1

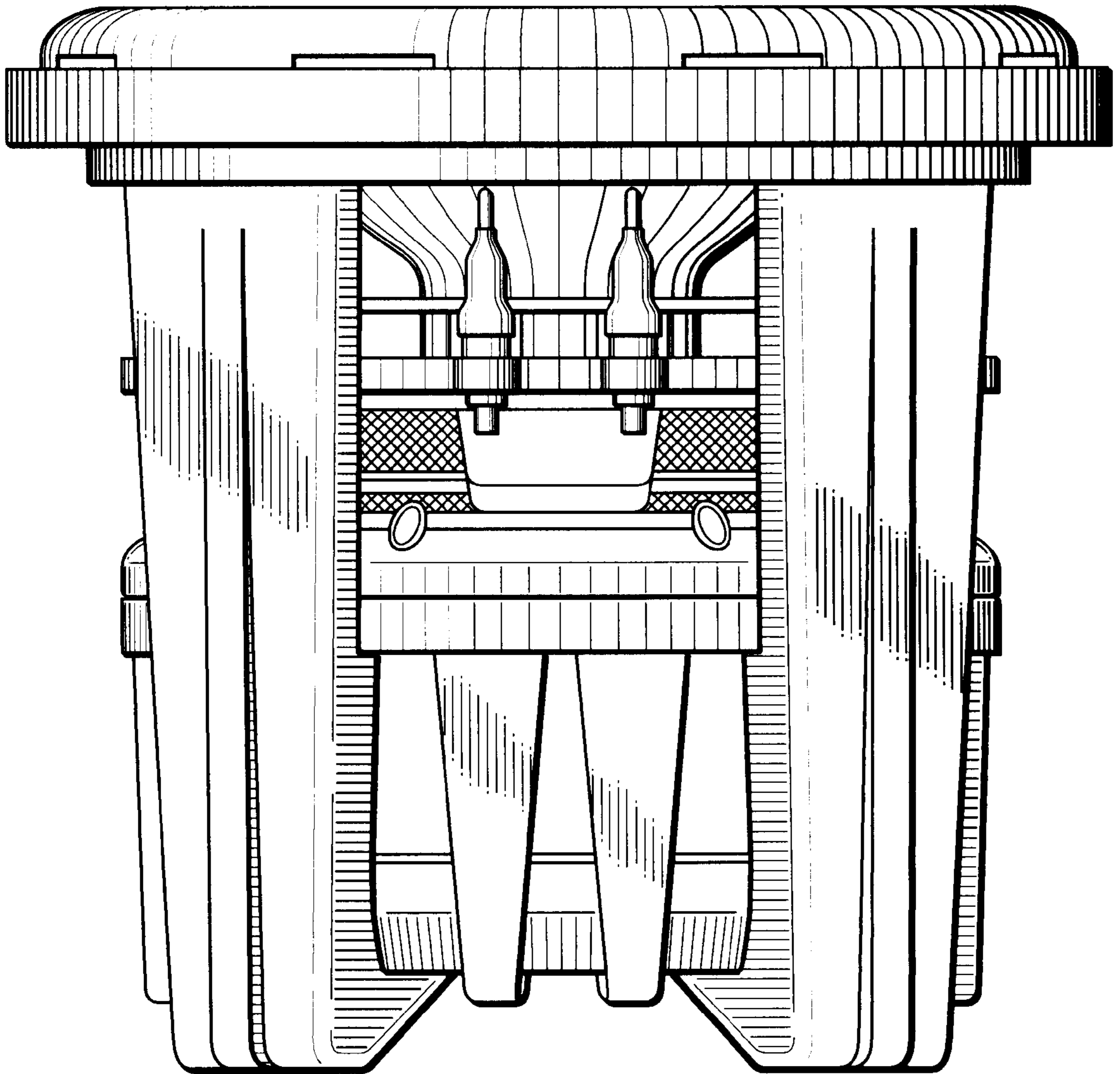


FIG. 2

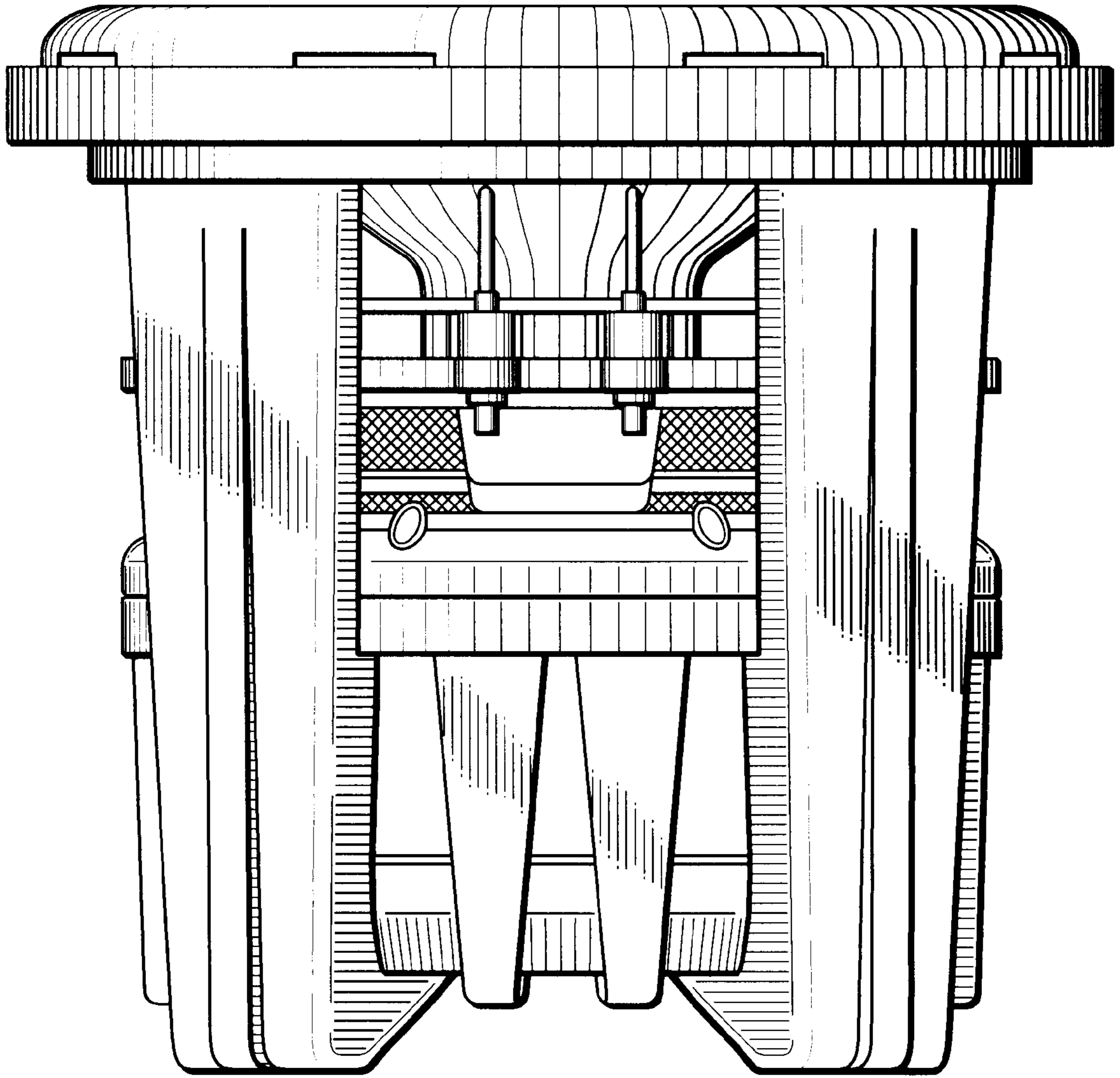


FIG. 3

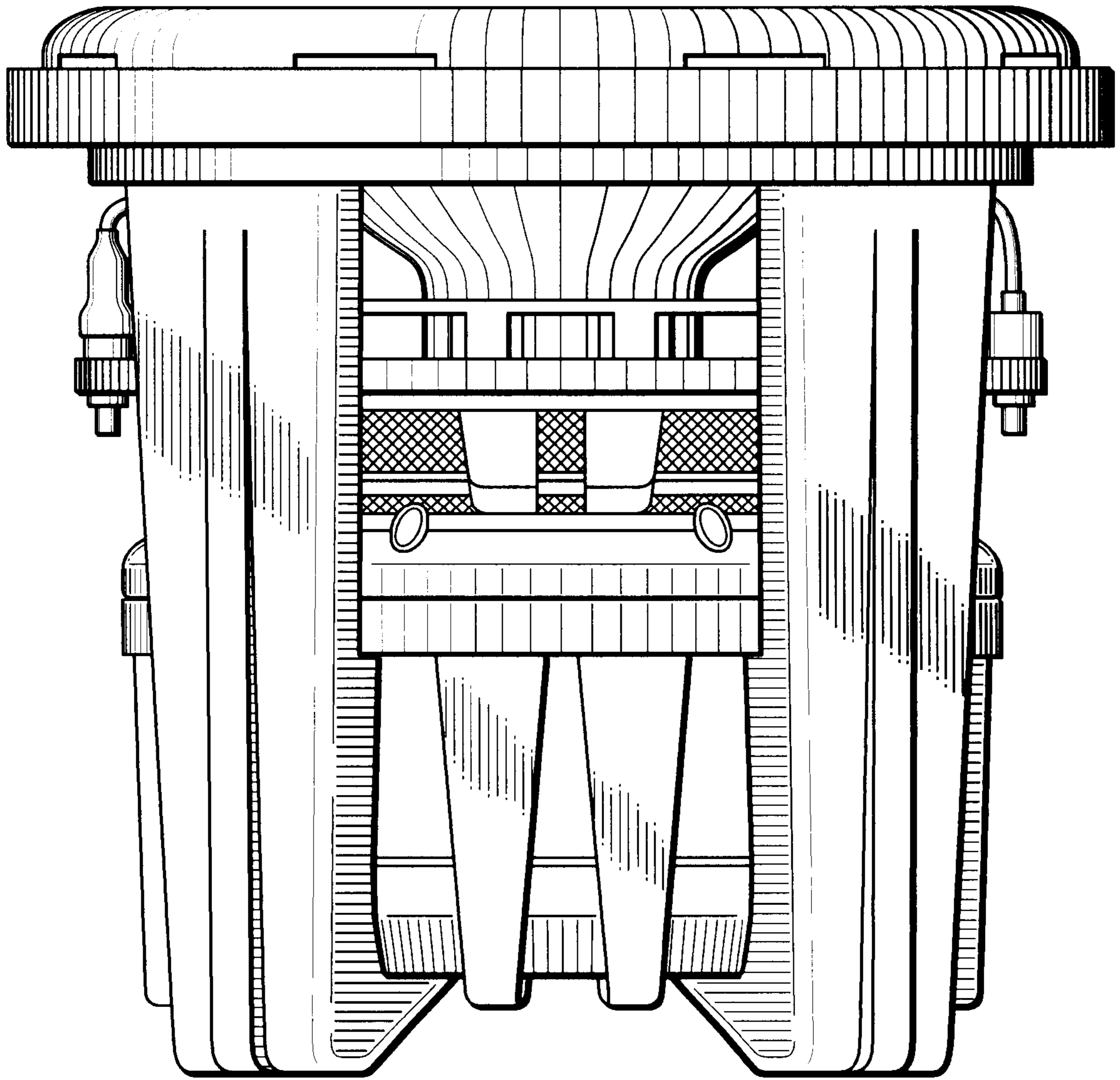


FIG. 4

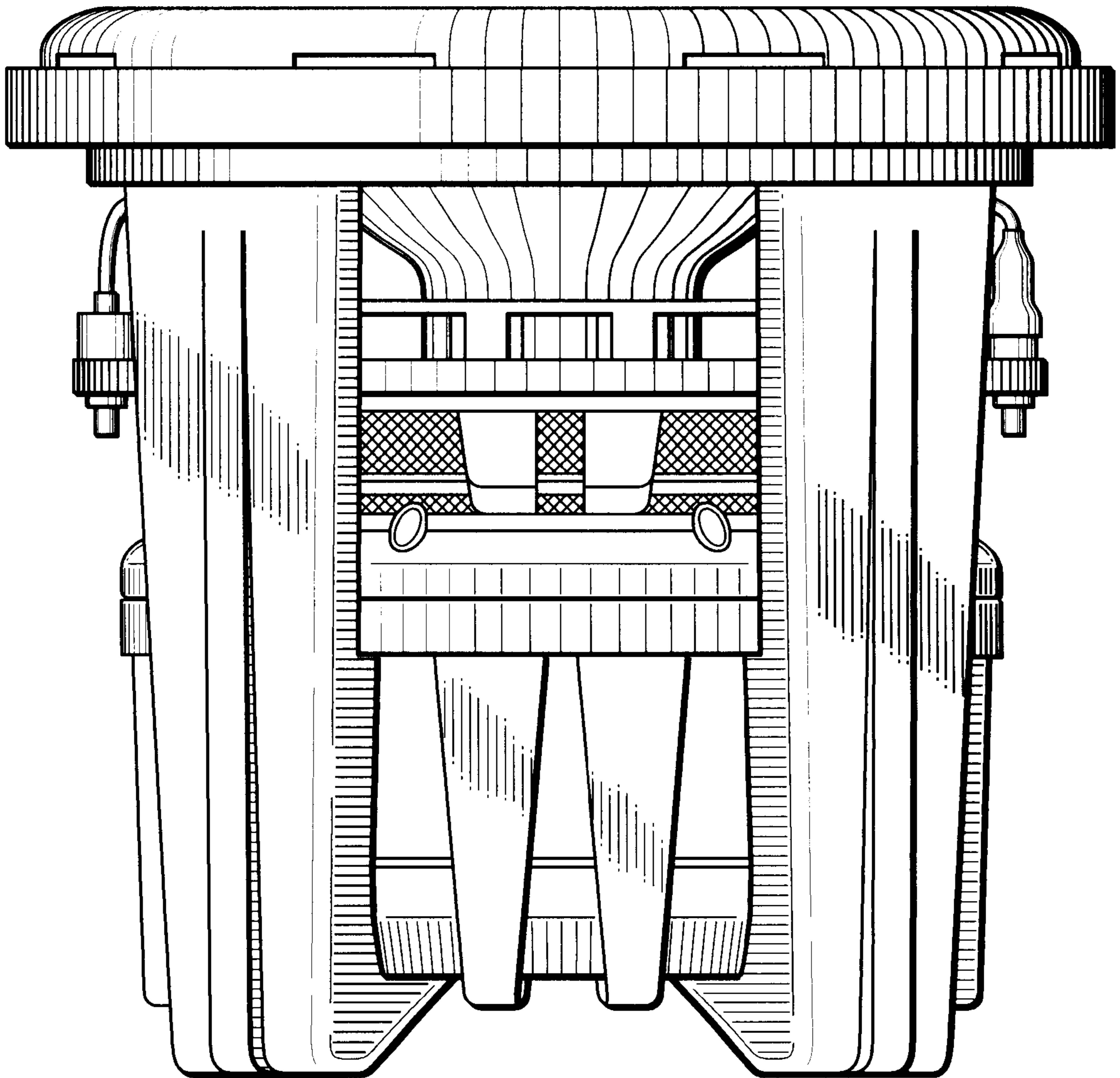


FIG. 5

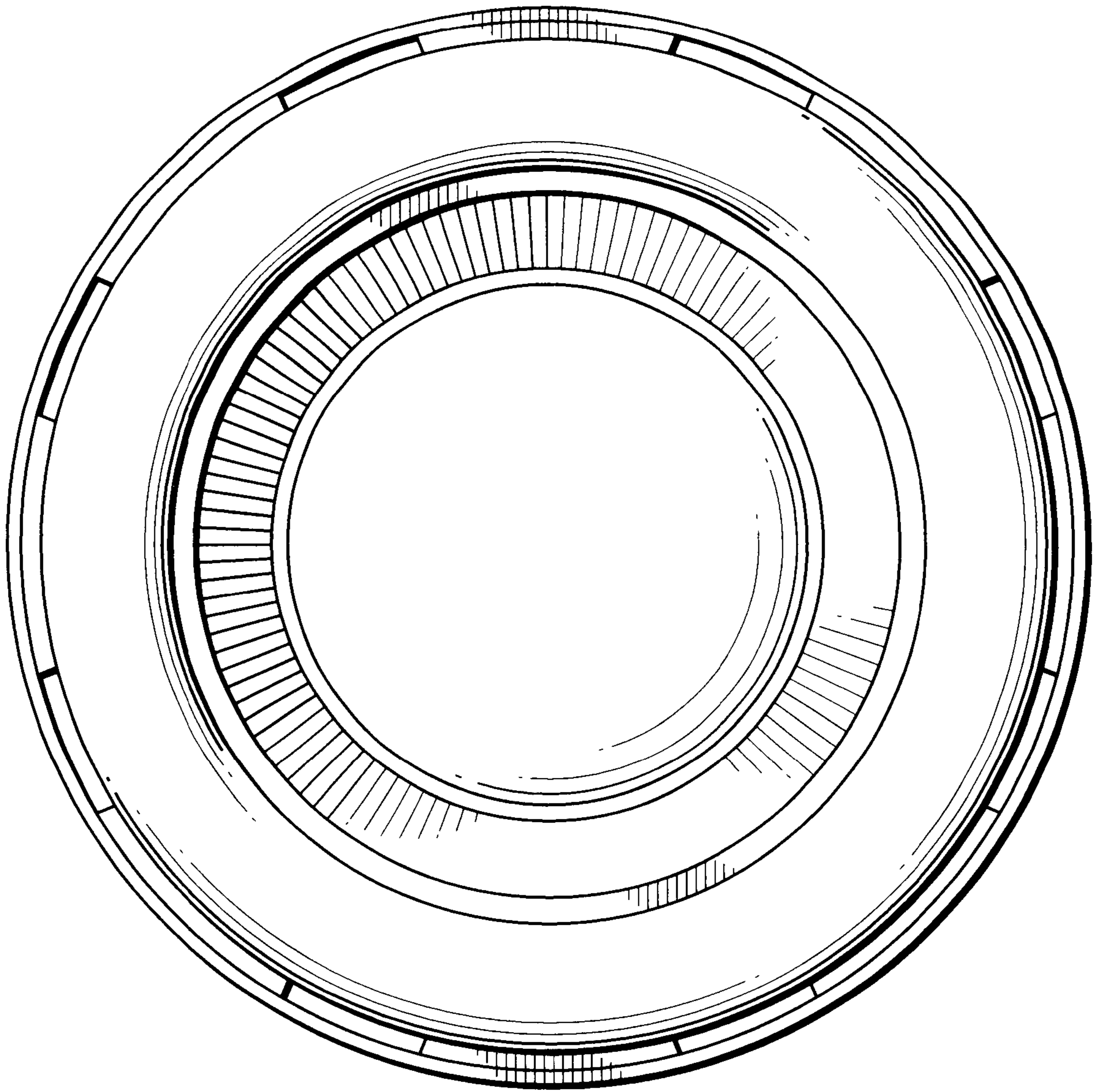


FIG. 6

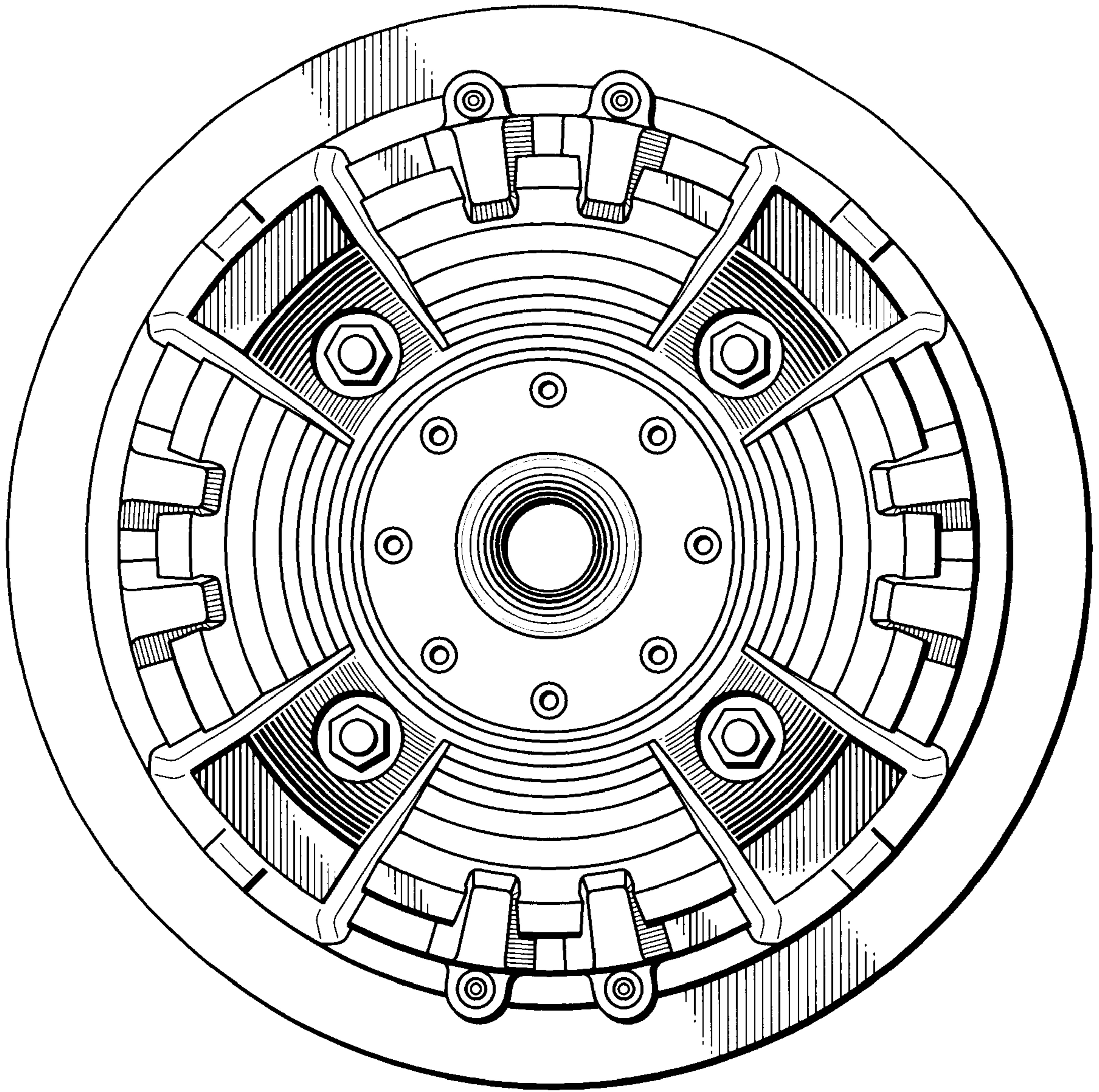


FIG. 7