



US00D487737S

(12) **United States Design Patent**
Lewis

(10) **Patent No.:** **US D487,737 S**

(45) **Date of Patent:** **** Mar. 23, 2004**

(54) **LOUDSPEAKER**

(75) **Inventor:** **David Lewis, Copenhagen (DK)**

(73) **Assignee:** **Bang & Olufsen A/S, Struer (DK)**

(**) **Term:** **14 Years**

(21) **Appl. No.:** **29/181,261**

(22) **Filed:** **May 7, 2003**

(30) **Foreign Application Priority Data**

Jan. 22, 2003 (DK) 2003 00042

(51) **LOC (7) Cl.** **14-01**

(52) **U.S. Cl.** **D14/215; D14/216**

(58) **Field of Search** D14/204, 207,
D14/209-216, 356; 181/143-145, 147-148,
150, 153, 157, 198-199; 381/300-302,
306, 333, 345, 361-364, 386-388

(56) **References Cited**

U.S. PATENT DOCUMENTS

D210,538 S * 3/1968 Lathi D14/213
D217,154 S * 4/1970 Boldt et al. D14/212

D297,233 S * 8/1988 Livigni D14/215
5,812,685 A * 9/1998 Fujita et al. 181/153
D426,230 S * 6/2000 De Iuliis et al. D14/216
D462,068 S * 8/2002 Solland D14/216
D466,887 S * 12/2002 Lewis D14/216

* cited by examiner

Primary Examiner—Nanda Bondade

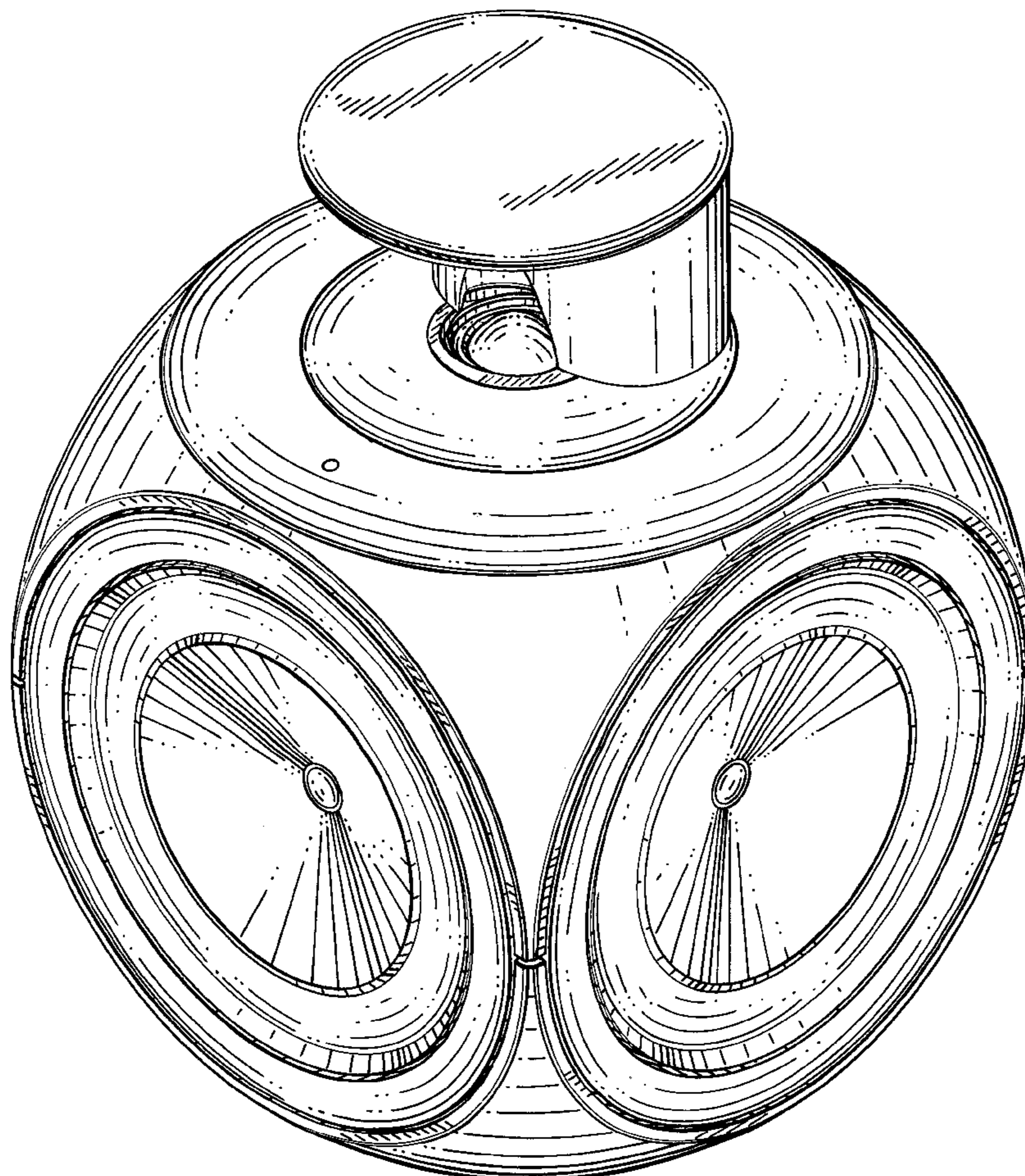
(57) **CLAIM**

The ornamental design for a loudspeaker, as shown and described.

DESCRIPTION

FIG. 1 is a front perspective view of the new loudspeaker of the present invention;
FIG. 2 is a rear perspective view thereof;
FIG. 3 is a top view thereof;
FIG. 4 is a right side view thereof;
FIG. 5 is a left side view thereof;
FIG. 6 is a front view thereof;
FIG. 7 is a rear view thereof; and,
FIG. 8 is a bottom view thereof.

1 Claim, 8 Drawing Sheets



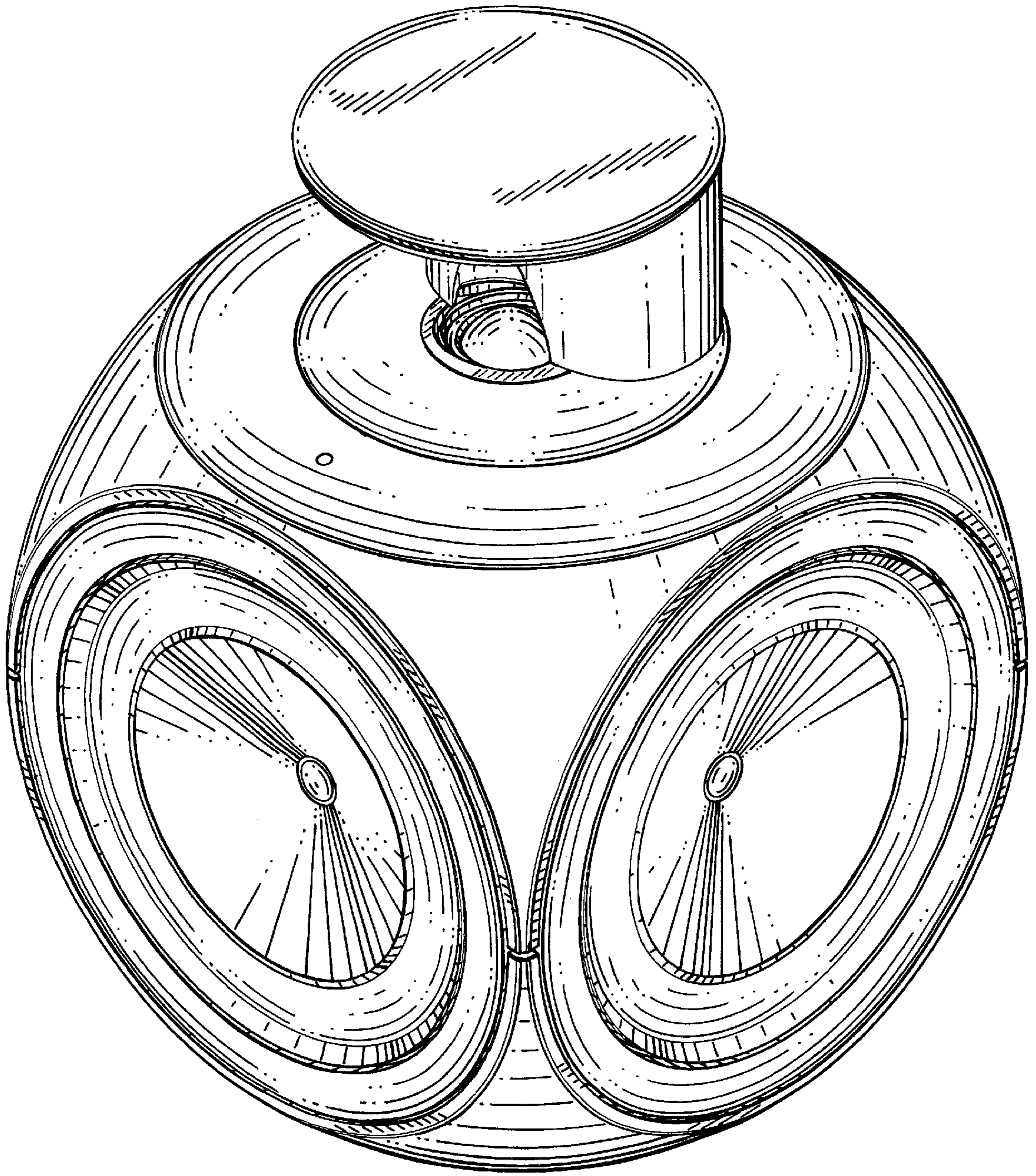


FIG. 1

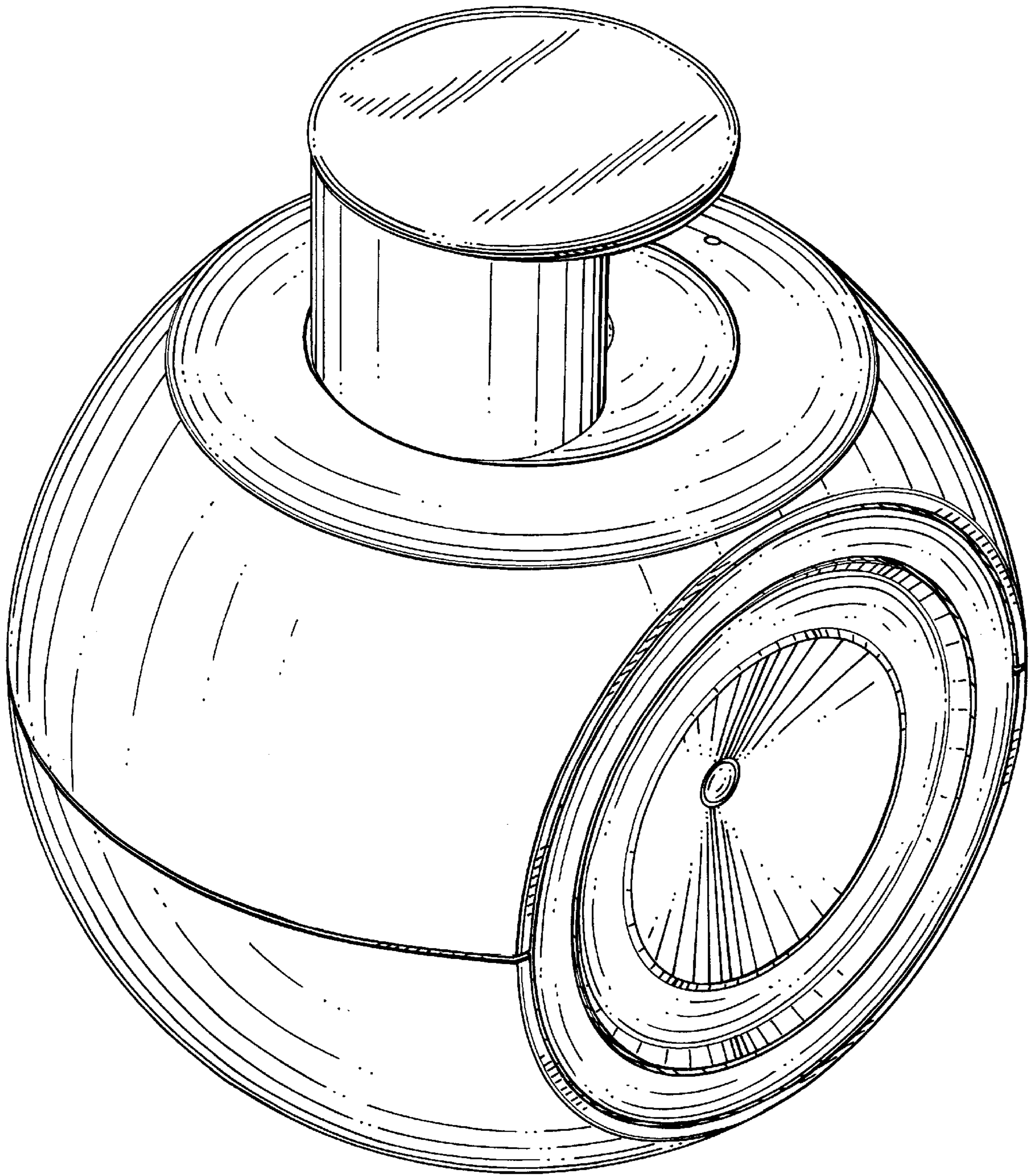


FIG. 2

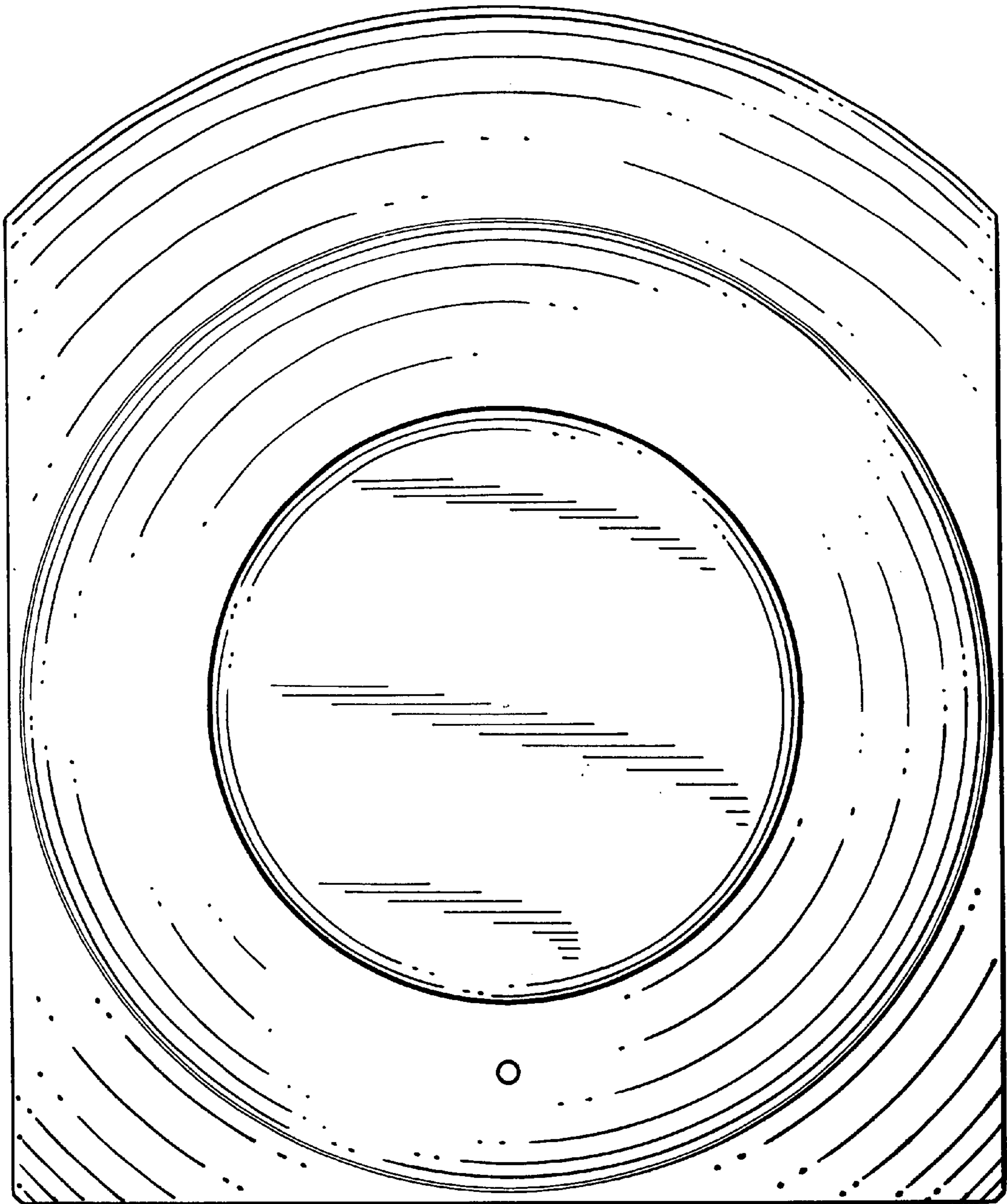


FIG. 3

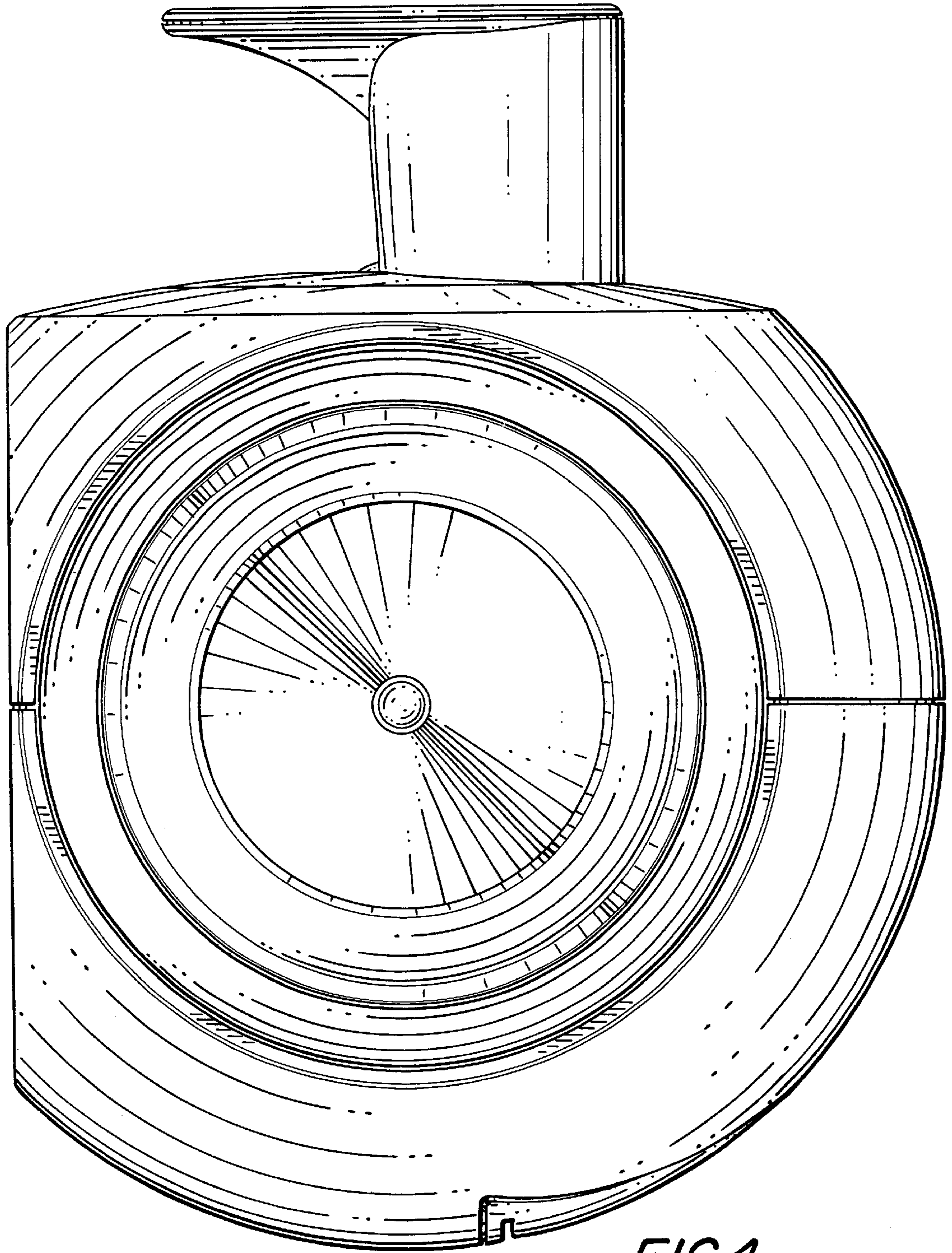


FIG. 4

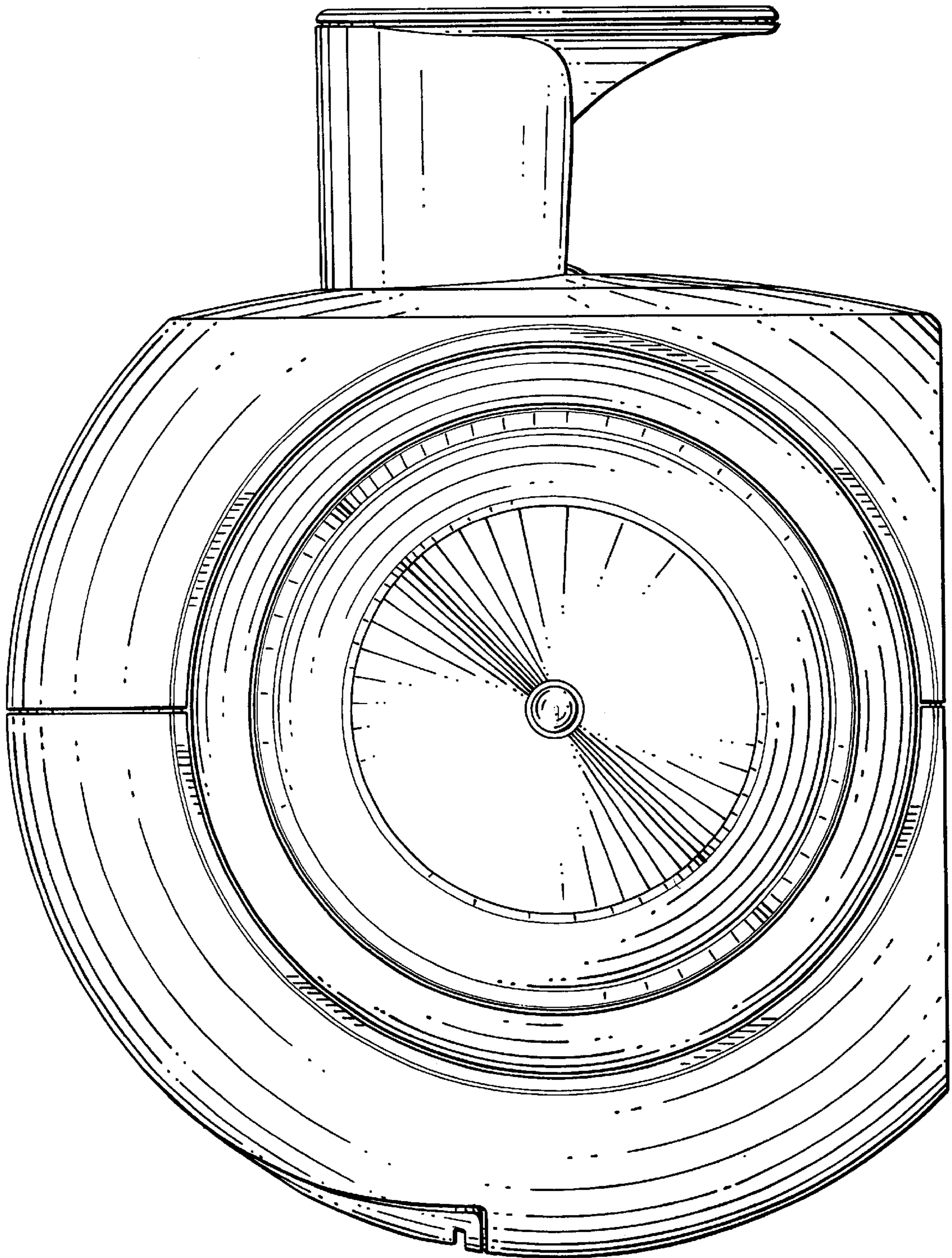


FIG. 5

FIG.6

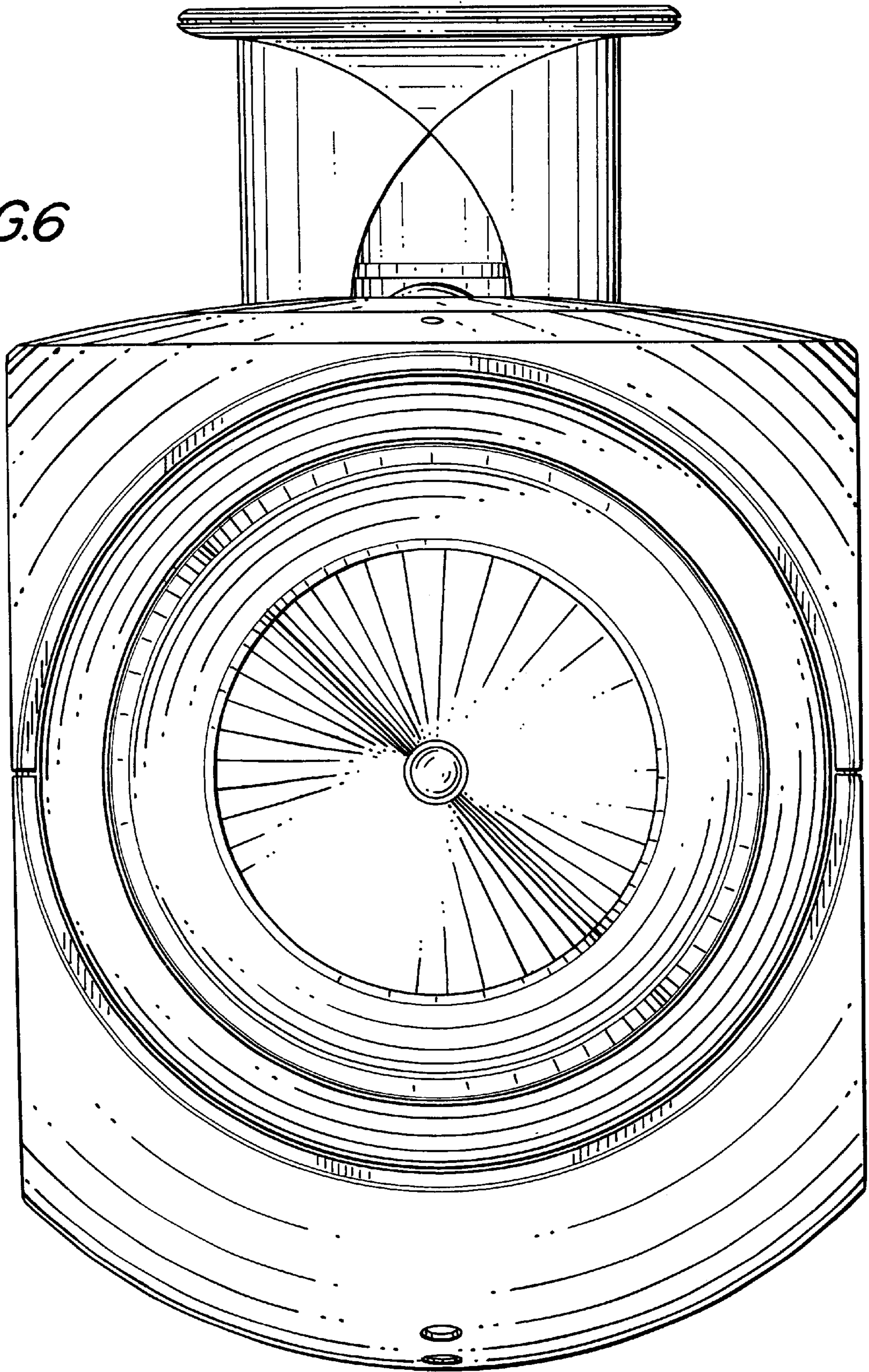


FIG. 7

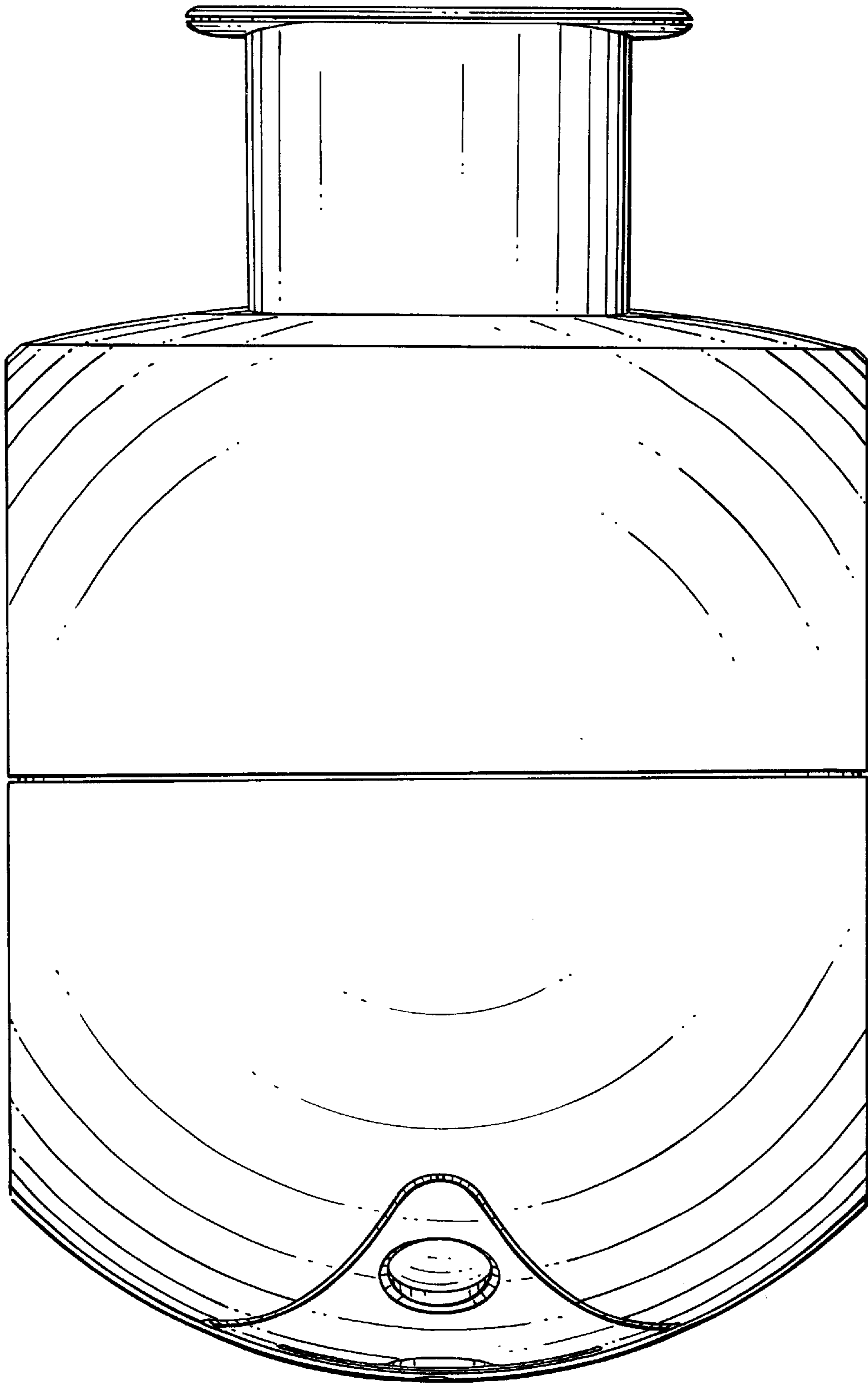


FIG. 8

