



US00D487733S

(12) **United States Design Patent**
Lucaci et al.

(10) **Patent No.:** **US D487,733 S**

(45) **Date of Patent:** **** Mar. 23, 2004**

- (54) **HOUSING FOR COMMUNICATIONS DEVICES OR SIMILAR ARTICLES**
- (75) Inventors: **Iulius Lucaci, Milan (IT); Vitor Medeiros de Santa Maria, Milan (IT); Tonya Torri, Mundelein, IL (US)**
- (73) Assignee: **Motorola, Inc., Schaumburg, IL (US)**
- (**) Term: **14 Years**
- (21) Appl. No.: **29/153,873**
- (22) Filed: **Nov. 7, 2001**
- (51) **LOC (7) Cl.** **14-03**
- (52) **U.S. Cl.** **D14/138; D14/137**
- (58) **Field of Search** **D14/137, 138, D14/218, 147-148, 247-248, 144, 341-347; 379/433.01-433.13, 419, 434, 428.01-428.04, 420.01-420.04, 440; 455/550-575, 90; D21/517**

- D368,475 S * 4/1996 Scott D14/218
- D375,748 S * 11/1996 Hartman D14/218
- D407,395 S * 3/1999 Pattberg D14/138
- D407,715 S * 4/1999 Grant D14/138
- D408,439 S * 4/1999 Sirois et al. D18/7
- D415,441 S * 10/1999 Pinchuk D10/104
- D418,517 S * 1/2000 IP D14/248
- 6,067,358 A * 5/2000 Grant 379/433.07
- D427,170 S * 6/2000 Edwards et al. D14/138
- D430,126 S * 8/2000 Lee D14/137
- D433,001 S * 10/2000 Haase et al. D14/137
- D434,762 S * 12/2000 Ikenaga D14/371
- D446,554 S * 8/2001 Gautieri et al. D21/405
- D459,340 S * 6/2002 Leyde et al. D14/198
- D467,566 S * 12/2002 Mirabelli et al. D14/137
- D467,888 S * 12/2002 Mirabelli et al. D14/137
- D467,911 S * 12/2002 Lee D14/243
- D470,627 S * 2/2003 Kuo D28/77
- D471,180 S * 3/2003 Satoh D14/218

* cited by examiner

Primary Examiner—Jeffrey Asch
(74) *Attorney, Agent, or Firm*—Randall S. Vaas

(56) **References Cited**
U.S. PATENT DOCUMENTS

- 1,889,471 A * 11/1932 Glaenzer 132/295
- D216,374 S * 12/1969 Yran D14/168
- D258,966 S * 4/1981 McCrae D18/7
- D262,222 S * 12/1981 Vernon, Jr. D21/324
- D284,761 S * 7/1986 Ryan D14/147
- D300,743 S * 4/1989 Zaugg et al. D14/147
- D306,588 S * 3/1990 Kashiwagi D14/163
- D319,468 S * 8/1991 Larizza D19/42
- D326,451 S * 5/1992 Roegner D14/138
- 5,175,869 A * 12/1992 Murata 455/66
- D350,962 S * 9/1994 Reardon et al. D14/218
- 5,398,706 A * 3/1995 Epstein 132/314
- D361,555 S * 8/1995 Erickson et al. D14/155
- 5,485,517 A * 1/1996 Gray 379/433.13
- D366,876 S * 2/1996 Labohm D14/218
- D367,648 S * 3/1996 Smith et al. D14/343

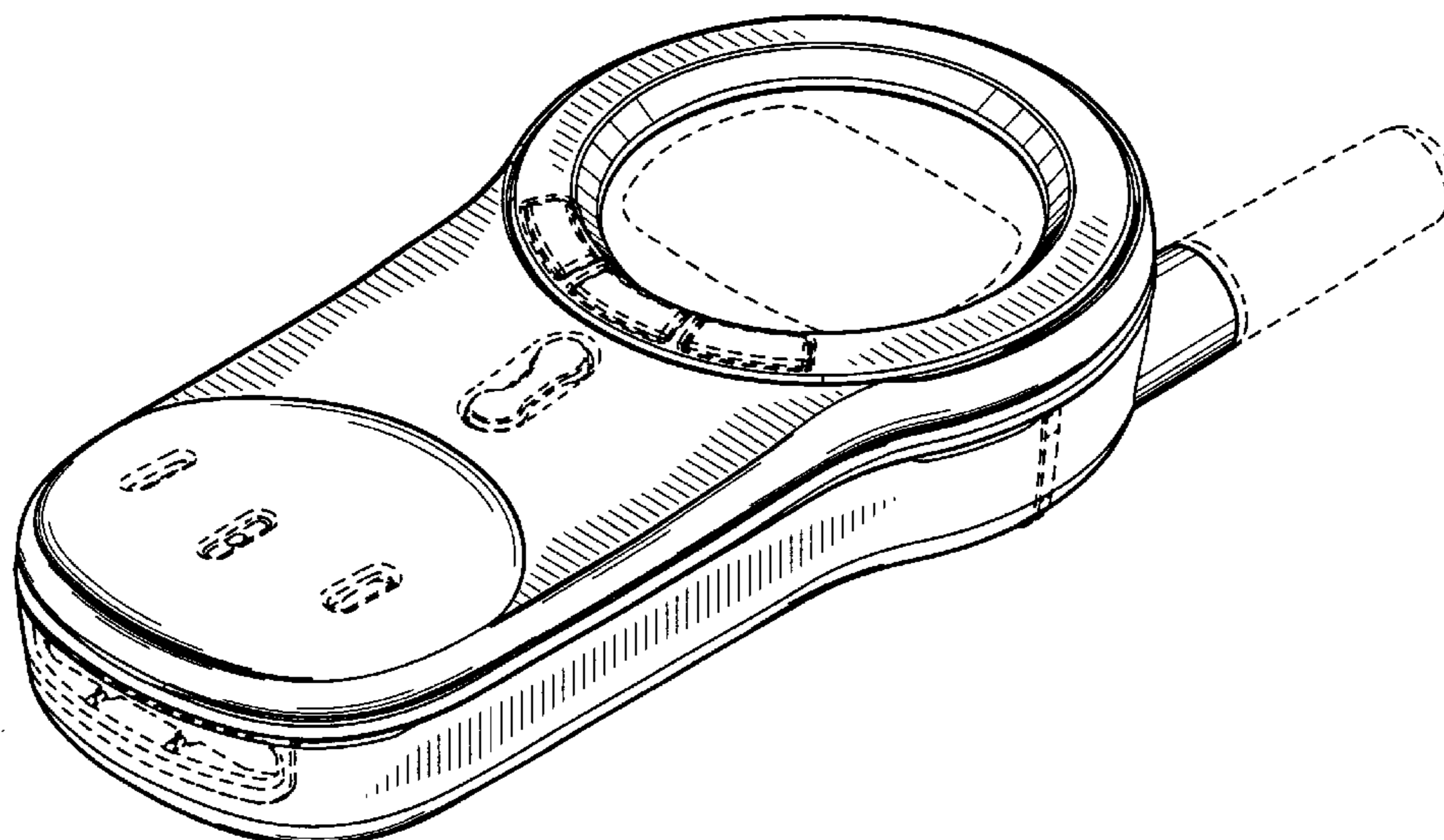
(57) **CLAIM**

The ornamental design for a housing for communications devices or similar articles, as shown.

DESCRIPTION

FIG. 1 is a perspective view of an ornamental design for a housing for a communication device or similar articles.
FIG. 2 is a first side elevation view of FIG. 1.
FIG. 3 is a front elevation view of FIG. 1.
FIG. 4 is a bottom plan view of FIG. 1.
FIG. 5 is a top plan view of FIG. 1.
FIG. 6 is a second side elevation view of FIG. 1; and,
FIG. 7 is a rear elevation view of FIG. 1.
The broken line portions of the drawings are not part of the claimed design.

1 Claim, 3 Drawing Sheets



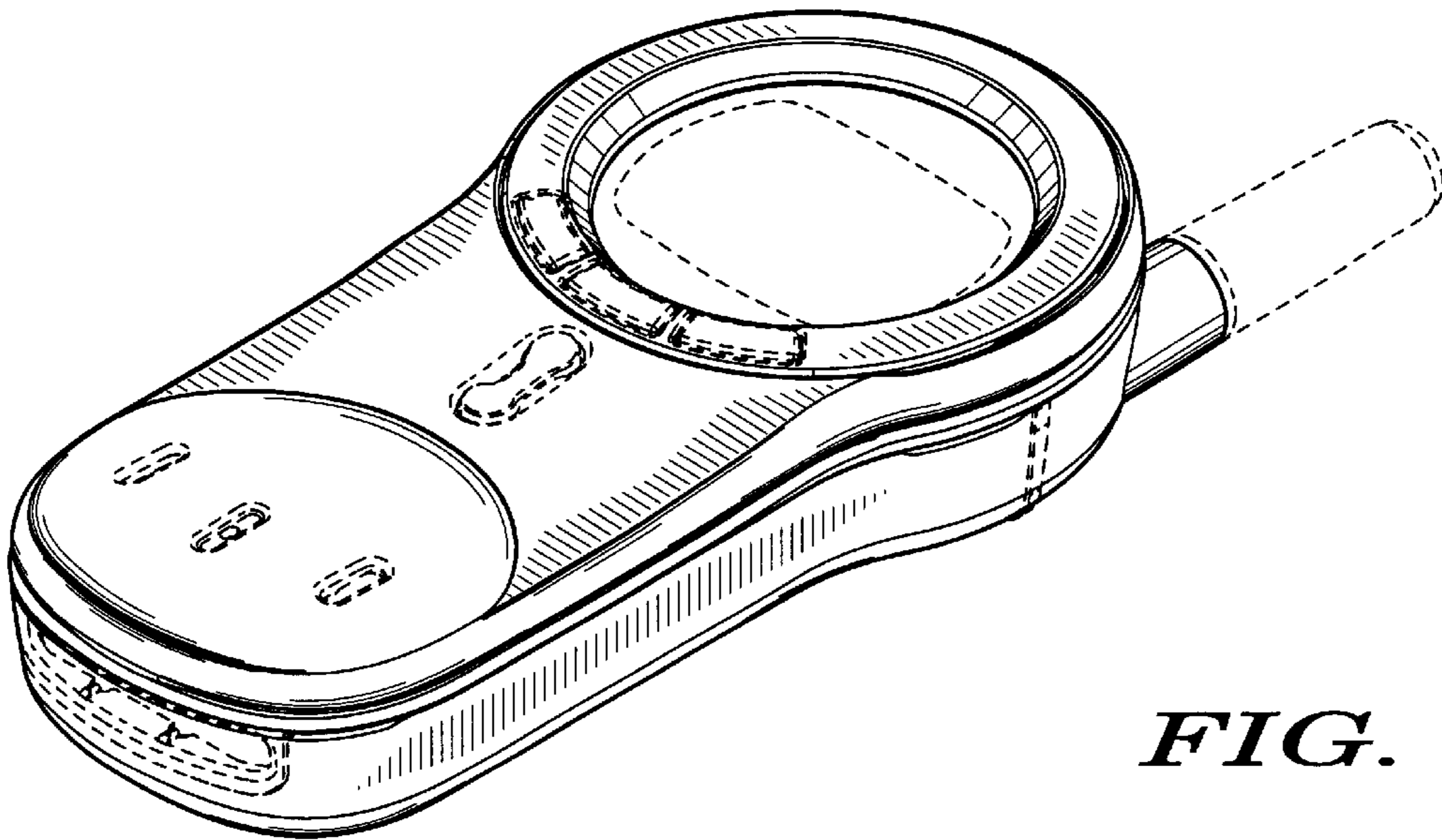


FIG. 1

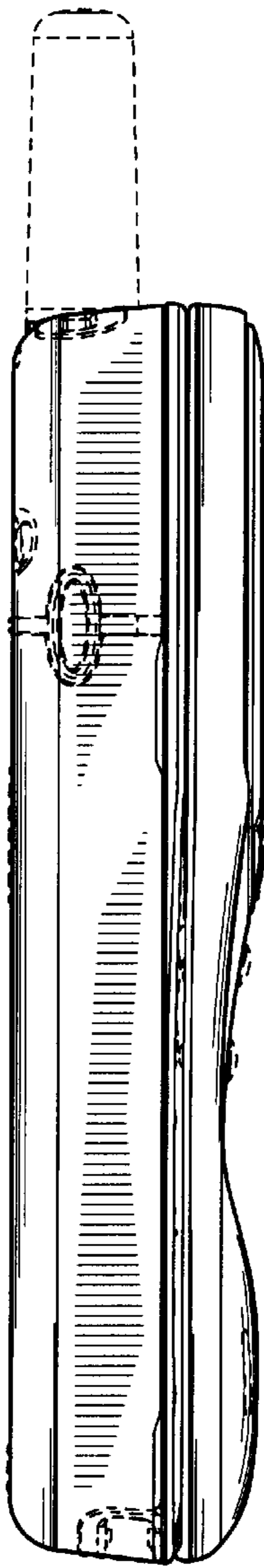


FIG. 2

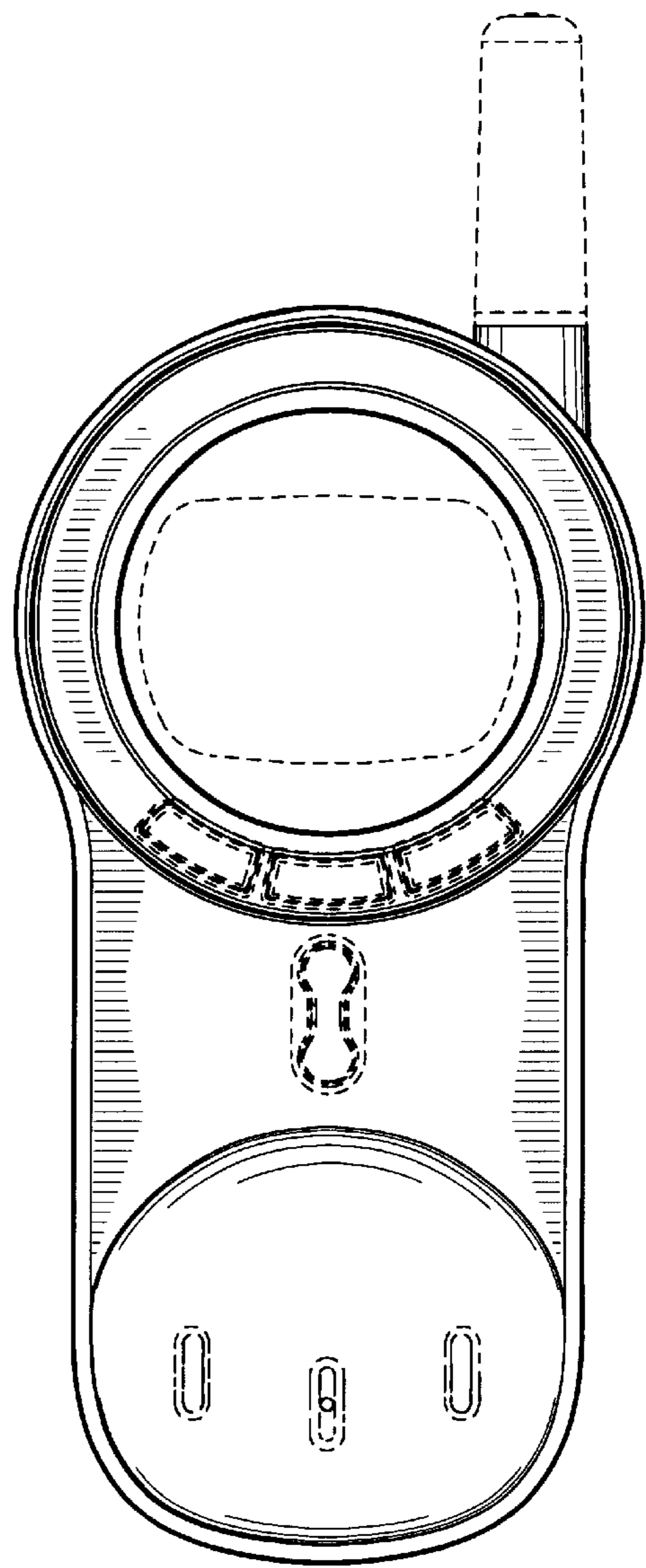


FIG. 3

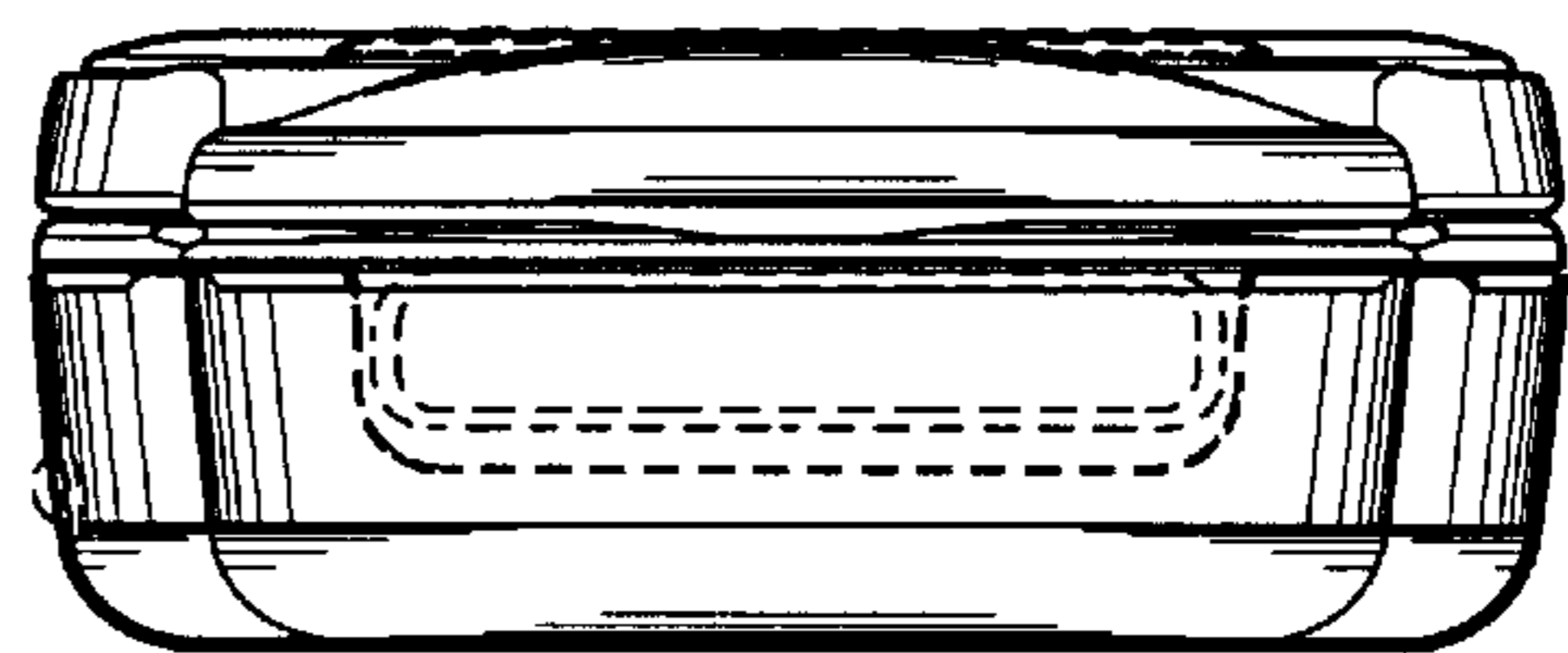


FIG. 4

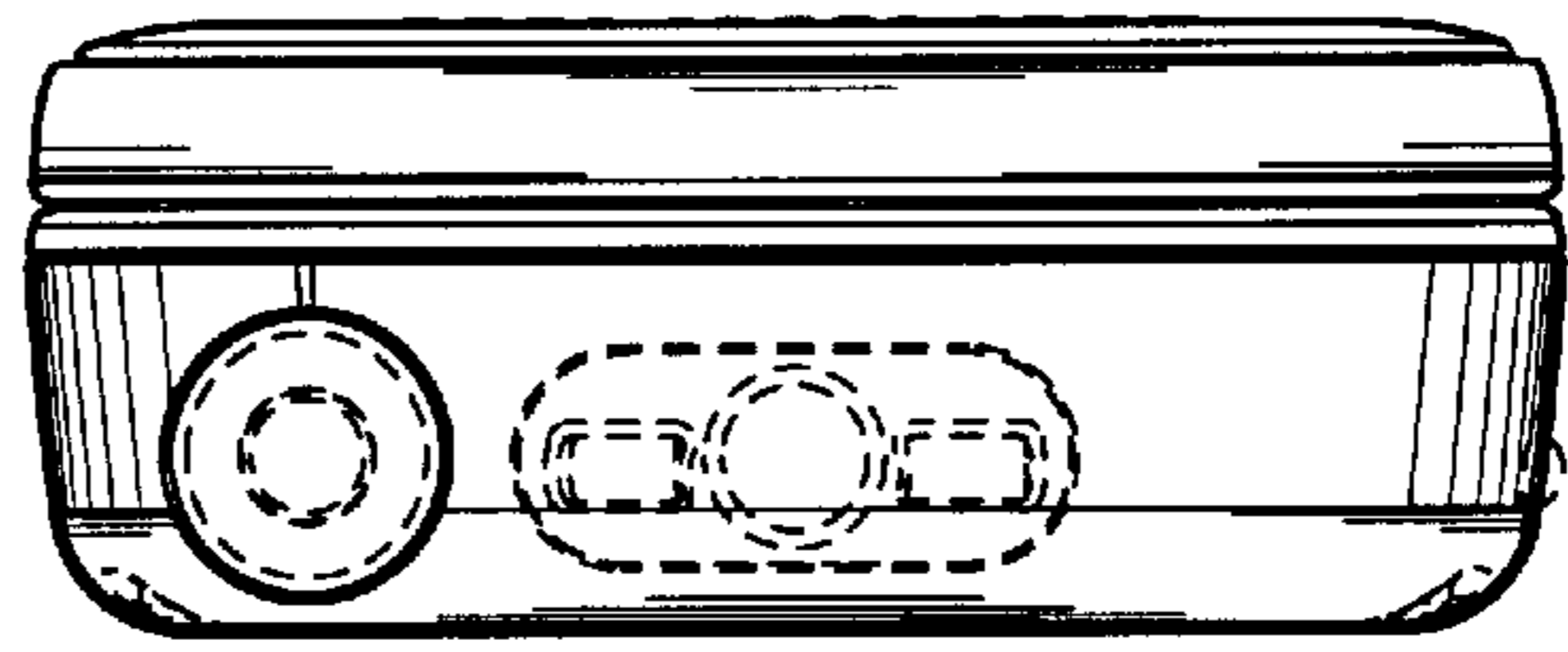


FIG. 5

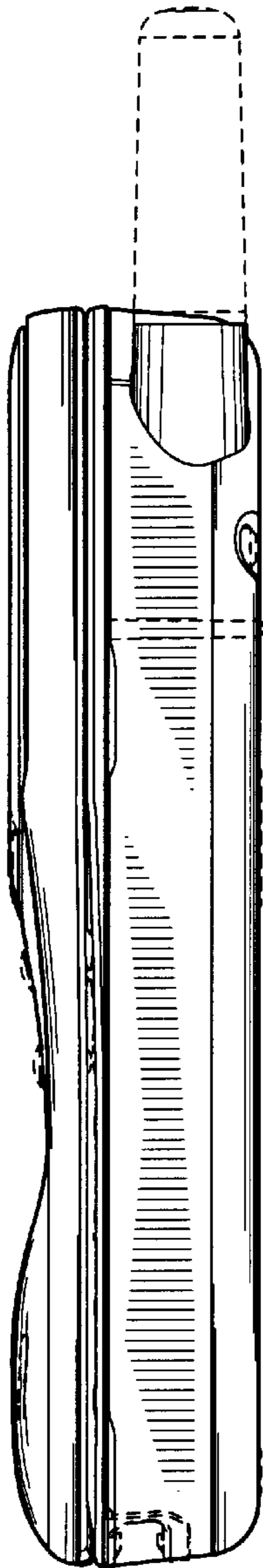


FIG. 6

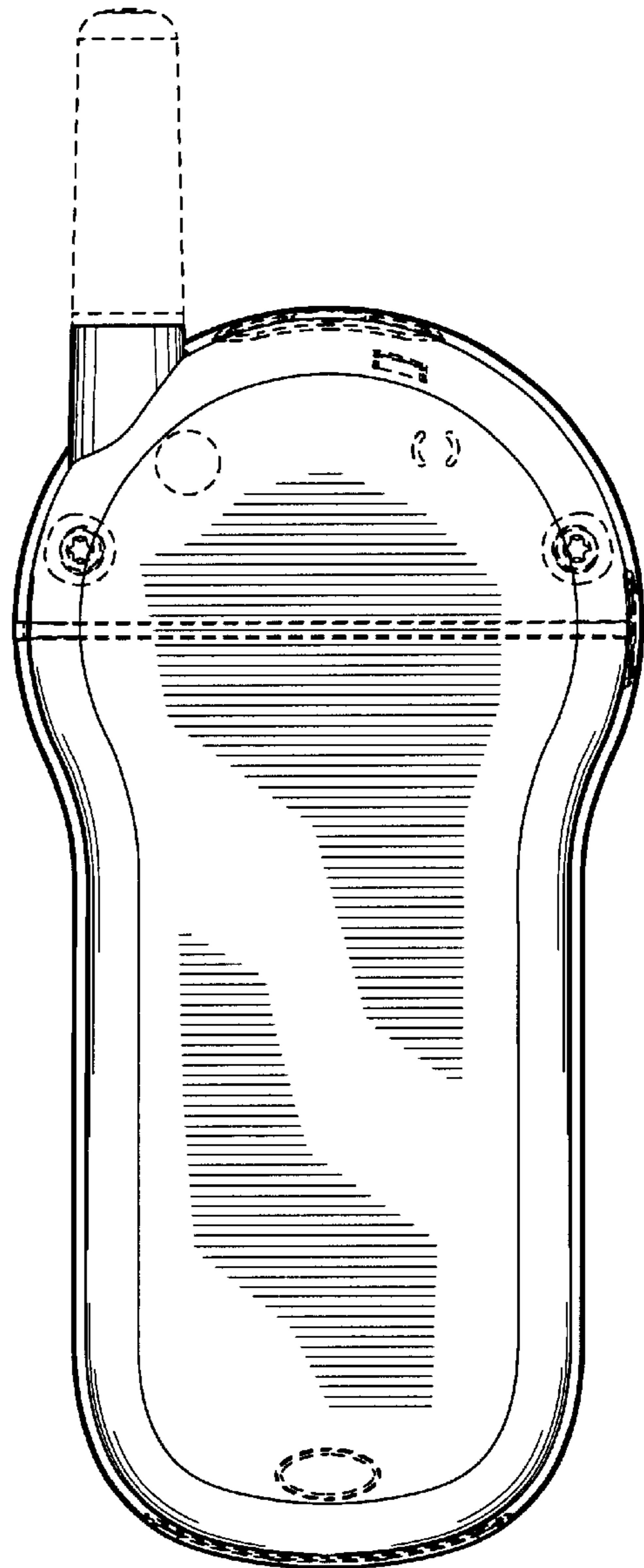


FIG. 7