



US00D487732S

(12) **United States Design Patent**
Isshiki

(10) **Patent No.:** **US D487,732 S**
(45) **Date of Patent:** **** Mar. 23, 2004**

(54) **DIGITAL VIDEO RECORDER FOR MONITORING**

(75) Inventor: **Masao Isshiki**, Yokohama (JP)
(73) Assignee: **Kabushiki Kaisha Toshiba** (JP)
(**) Term: **14 Years**

(21) Appl. No.: **29/181,167**
(22) Filed: **May 7, 2003**

(30) **Foreign Application Priority Data**

Mar. 12, 2003 (JP) 2003-006481

(51) **LOC (7) Cl.** **14-01**
(52) **U.S. Cl.** **D14/136**
(58) **Field of Search** D14/135-136,
D14/156-157, 167-168, 188, 193-198,
257-258; 369/75.1, 75.2, 77.1, 77.2; 455/344,
347, 350-351

(56) **References Cited**

U.S. PATENT DOCUMENTS

5,859,828 A * 1/1999 Ishibashi 369/75.1
D423,008 S * 4/2000 Shintani D14/168
D446,194 S * 8/2001 Yamazaki et al. D14/135
D459,708 S * 7/2002 Moriya et al. D14/135
D473,200 S 4/2003 Isshiki
D473,201 S * 4/2003 Ng et al. D14/136

FOREIGN PATENT DOCUMENTS

JP 1148553 7/2002

OTHER PUBLICATIONS

Telexper International, Inc., Digital Recording System, VS-168, dated Apr. 4, 2001.

* cited by examiner

Primary Examiner—Nanda Bondade

(74) *Attorney, Agent, or Firm*—Banner & Witcoff, Ltd.

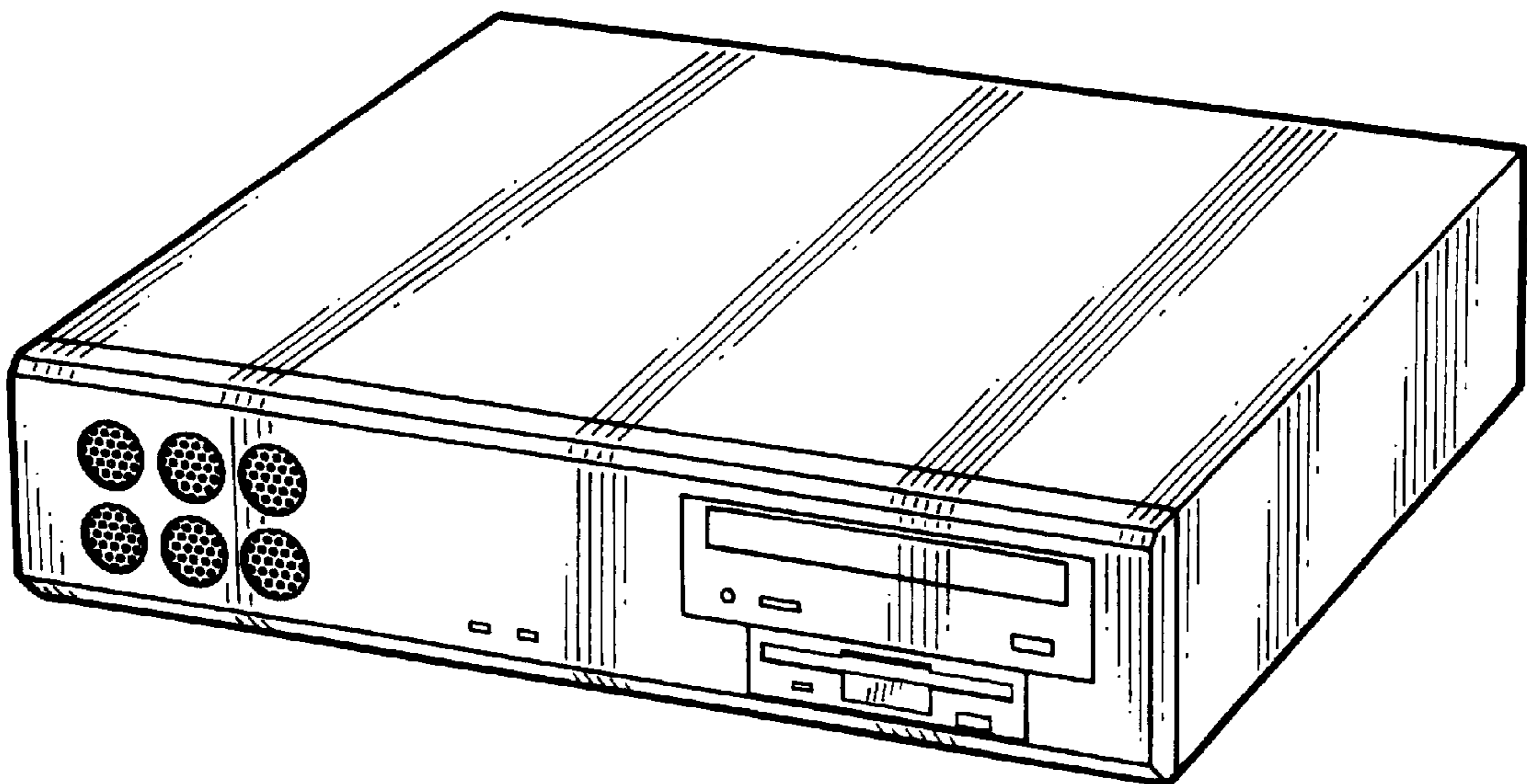
(57) **CLAIM**

The ornamental design for a digital video recorder for monitoring, as shown and described.

DESCRIPTION

FIG. 1 is a front, top and right side perspective view of a digital video recorder for monitoring, showing my new design;
FIG. 2 is a perspective view thereof with a tray in a drawn out state;
FIG. 3 is a top plan view thereof;
FIG. 4 is a front elevational view thereof;
FIG. 5 is a rear elevational view thereof;
FIG. 6 is a right side elevational view thereof; the opposite side being a mirror image thereof; and,
FIG. 7 is a bottom plan view thereof.

1 Claim, 3 Drawing Sheets



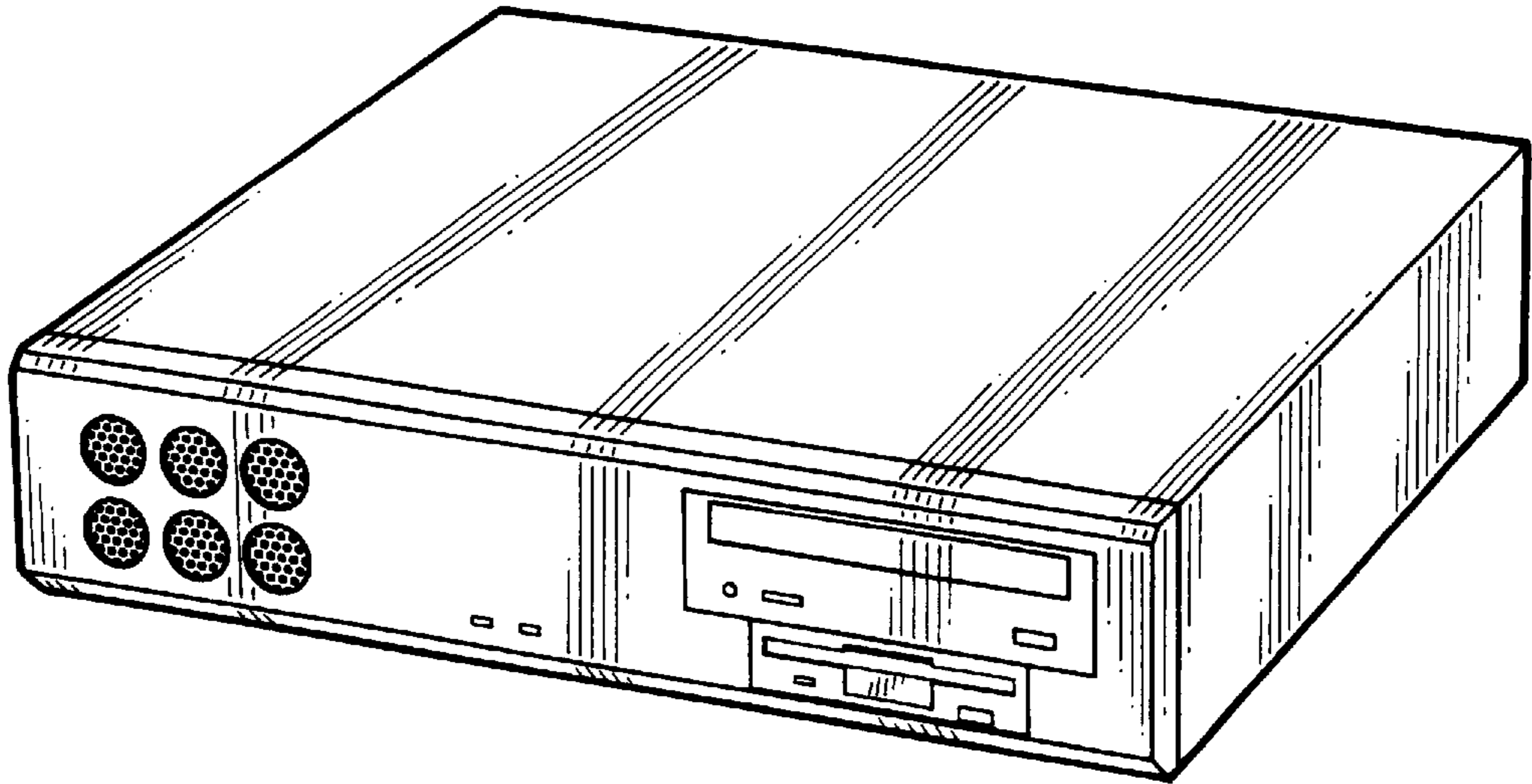


Fig.1

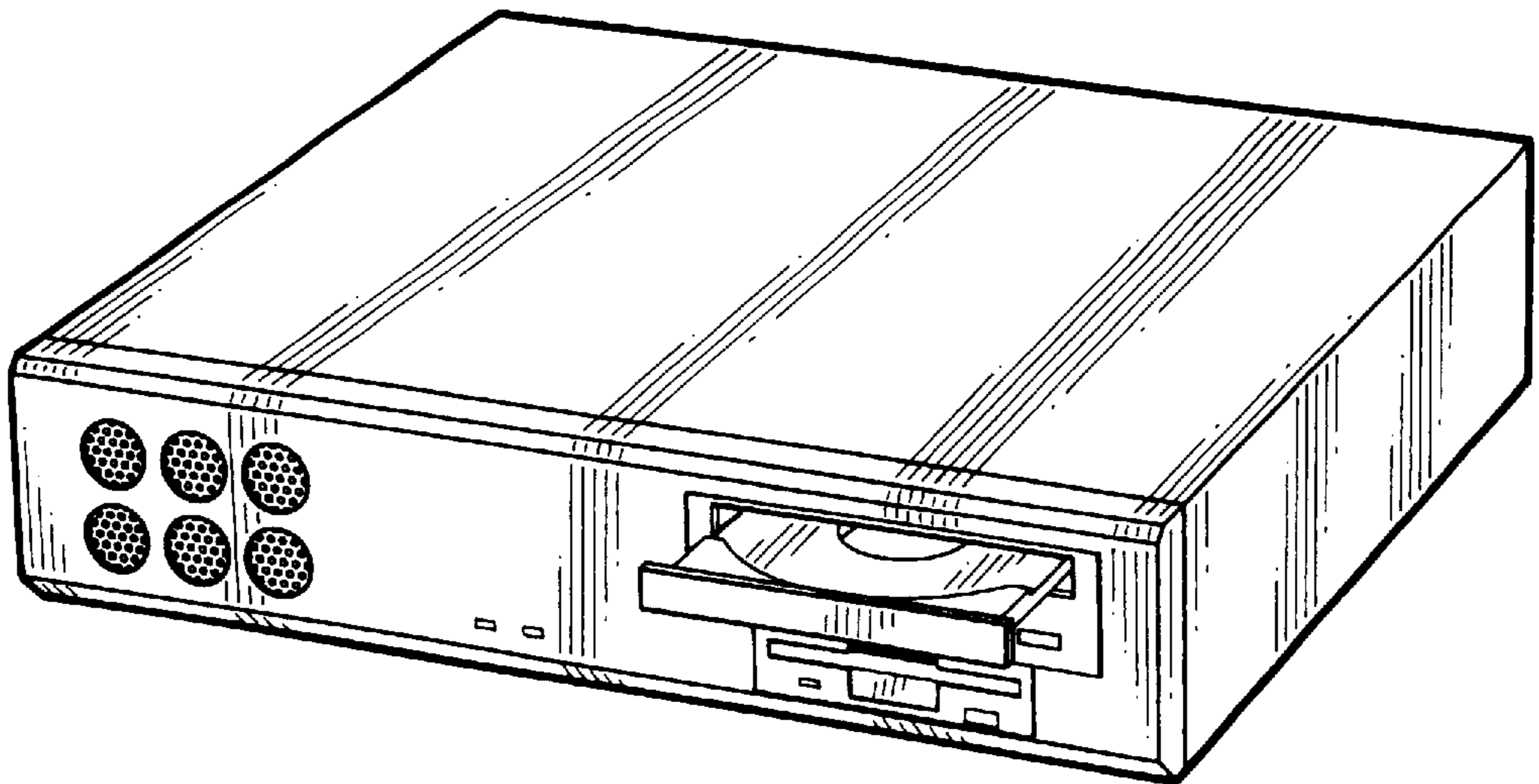


Fig.2

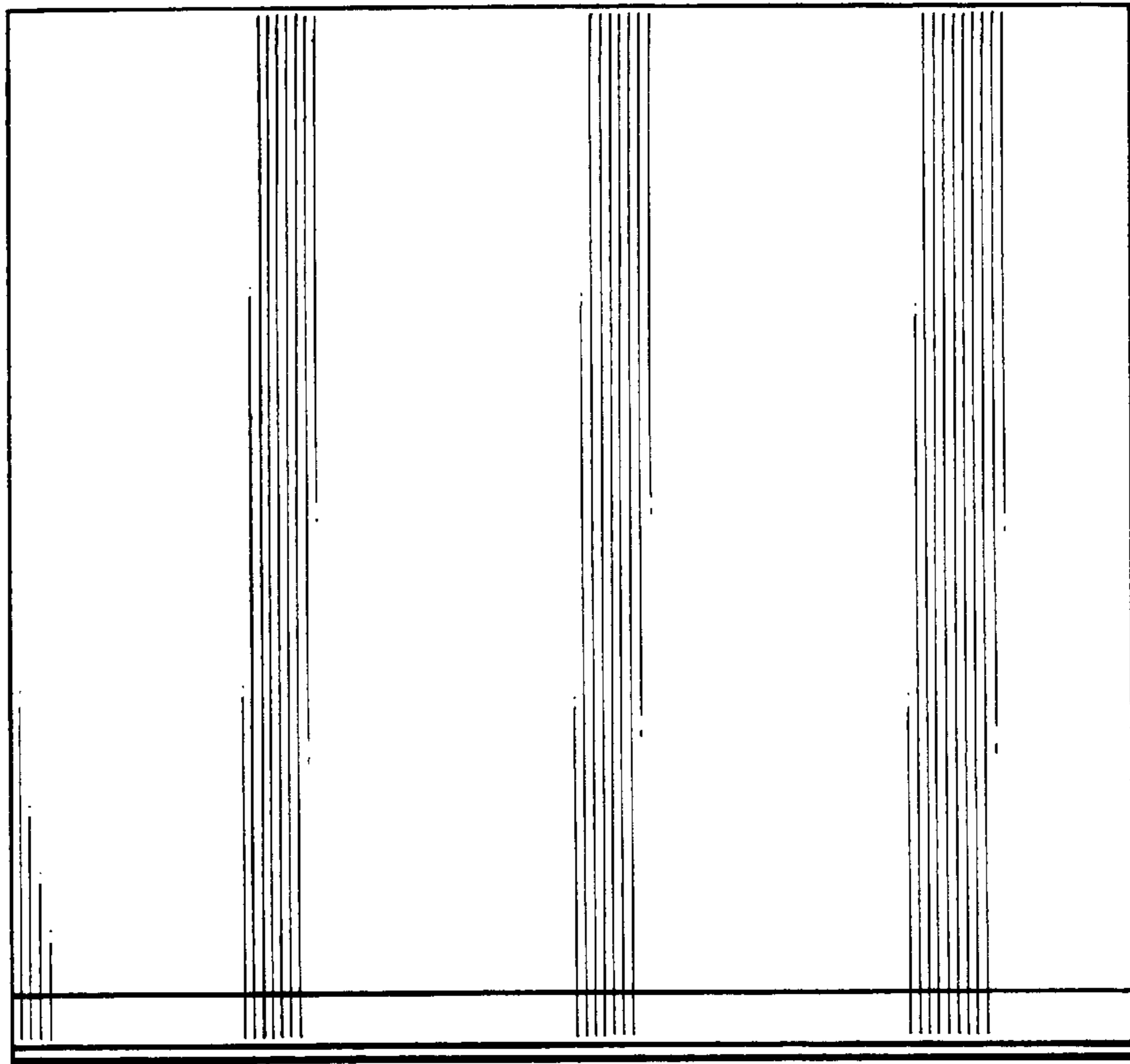


Fig.3

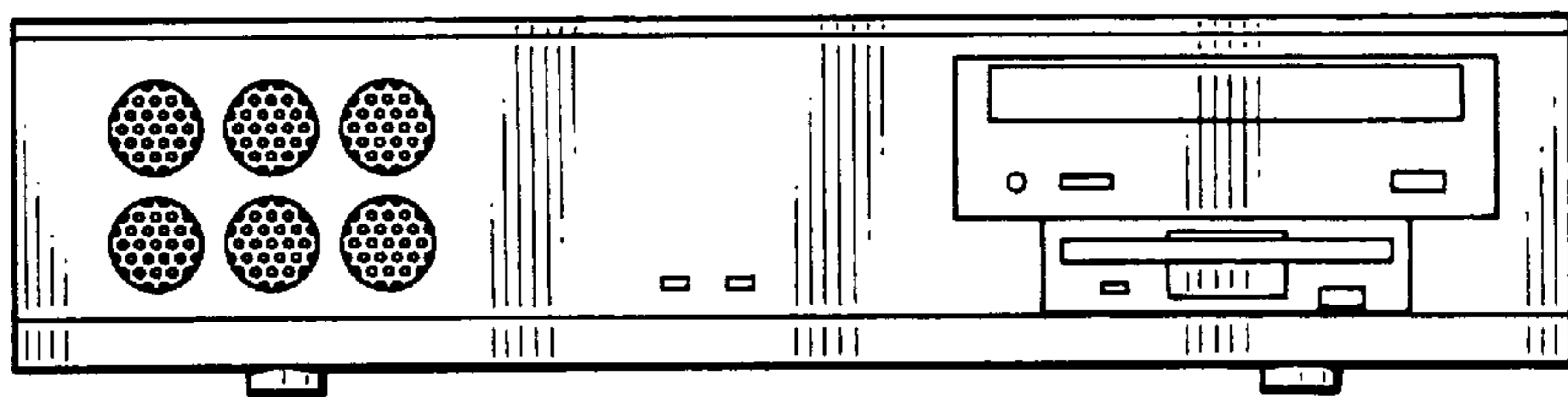


Fig.4

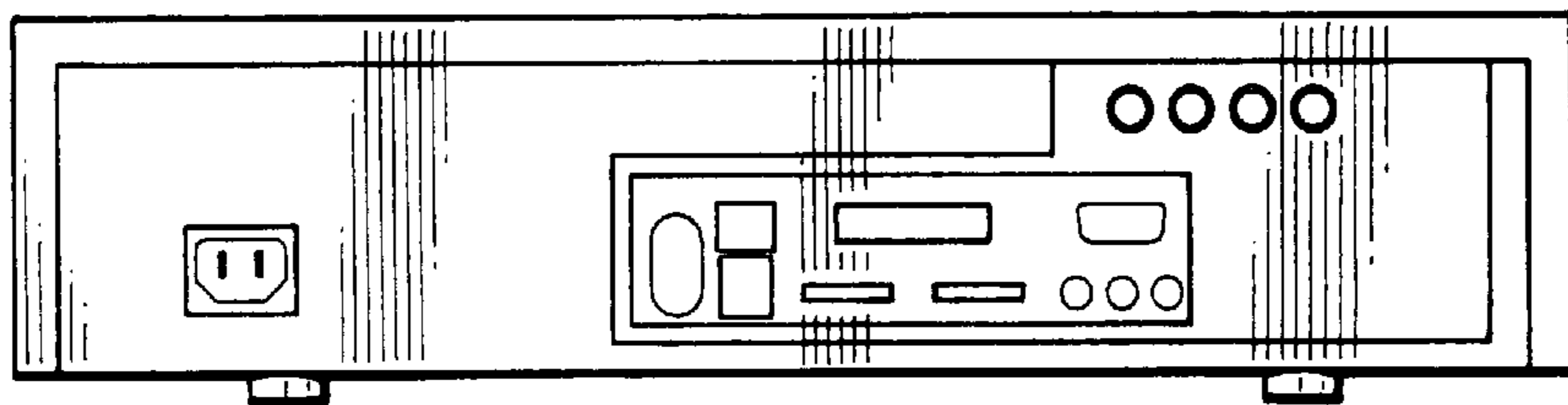


Fig.5

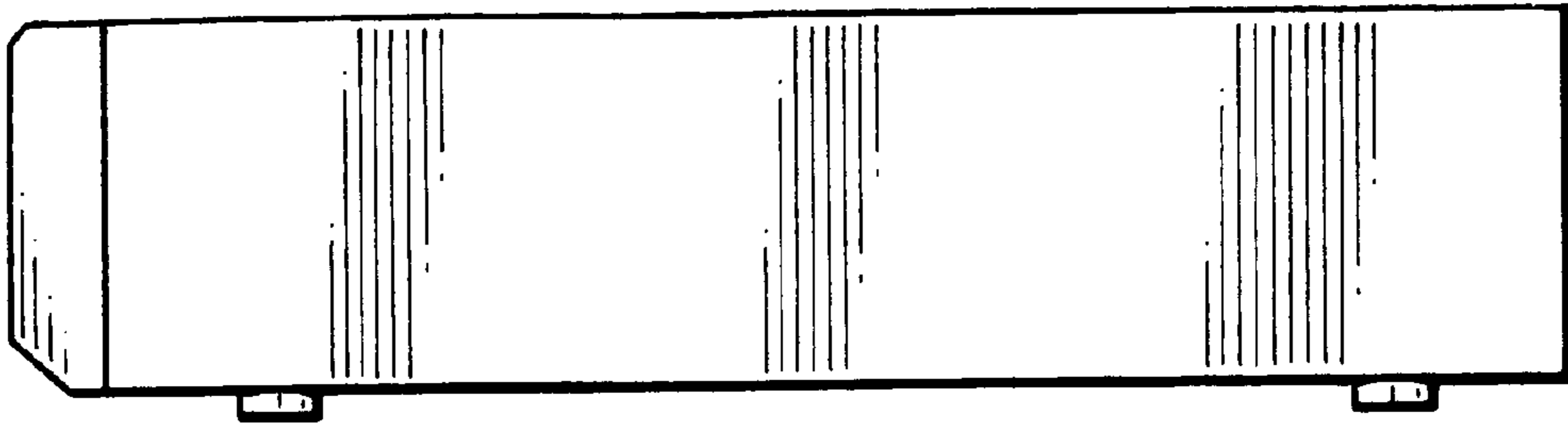


Fig.6

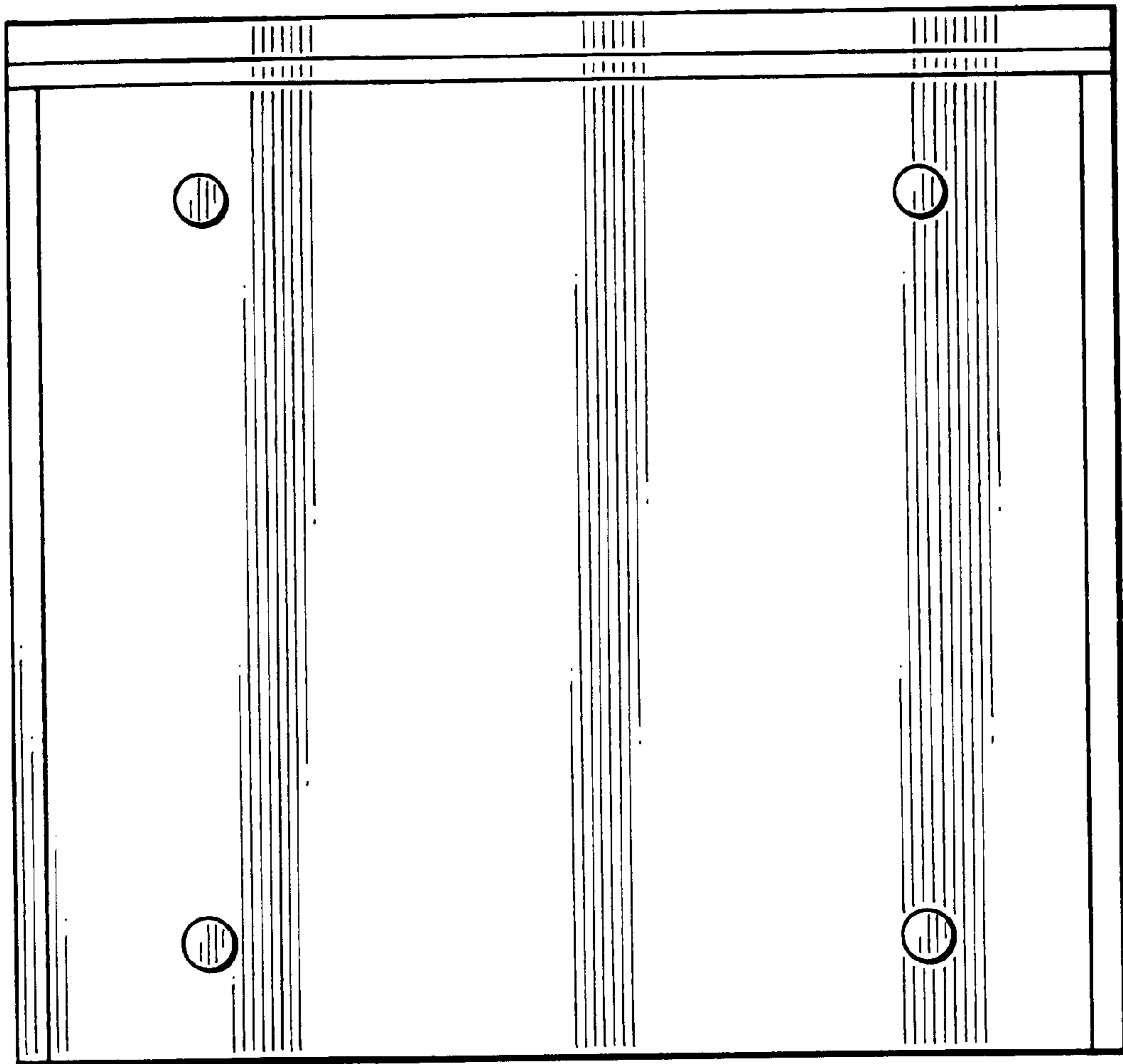


Fig.7