



US00D487730S

(12) **United States Design Patent**
Müller

(10) **Patent No.:** **US D487,730 S**

(45) **Date of Patent:** **** Mar. 23, 2004**

(54) **SWITCHGEAR CABINET**

(75) **Inventor:** **Norbert Müller, Dietzhöhlztal (DE)**

(73) **Assignee:** **Rittal GmbH & Co. KG, Herborn (DE)**

(**) **Term:** **14 Years**

(21) **Appl. No.:** **29/129,614**

(22) **Filed:** **Sep. 18, 2000**

(51) **LOC (7) Cl.** **13-03**

(52) **U.S. Cl.** **D13/184**

(58) **Field of Search** D13/158, 160,
D13/162, 163, 164, 184; D6/429, 436,
448; D14/102, 240, 241; 220/3.3, 4.02;
312/223.1, 223.2, 204, 216; 361/641, 679,
681, 682, 683, 724, 725

(56) **References Cited**

U.S. PATENT DOCUMENTS

D179,994 S * 4/1957 Wells et al. D13/163

4,862,324 A * 8/1989 Kalvaitis et al. 361/724
D351,590 S * 10/1994 Whaley et al. D13/163
D387,035 S * 12/1997 Hartel et al. D13/184
D423,465 S * 4/2000 Runnalls et al. D13/184
6,201,690 B1 * 3/2001 Moore et al. 361/683
D469,412 S * 1/2003 Witte D13/184

* cited by examiner

Primary Examiner—Philip S. Hyder

Assistant Examiner—Selina Sikder

(74) *Attorney, Agent, or Firm*—Pauley Petersen & Erickson

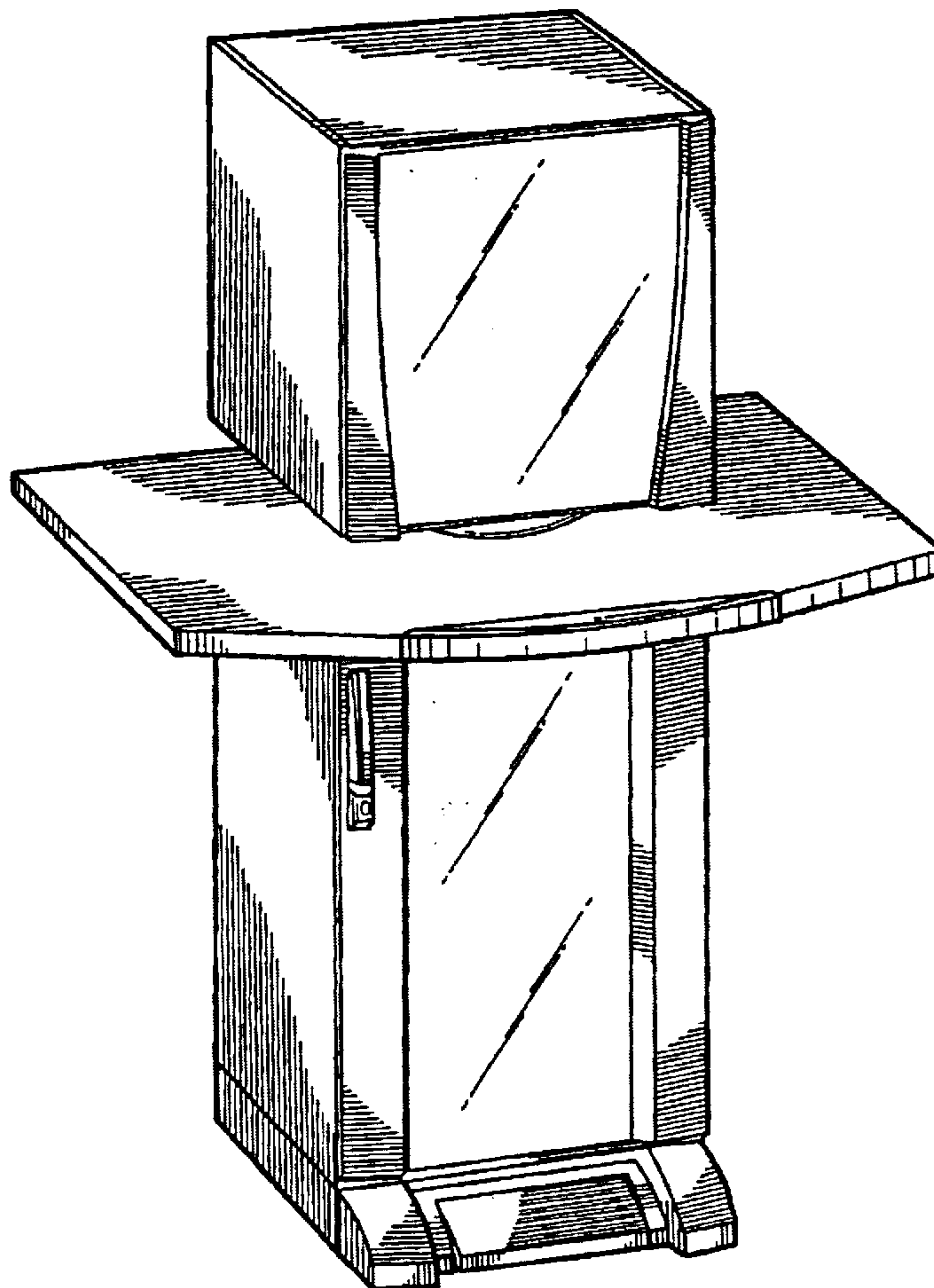
(57) **CLAIM**

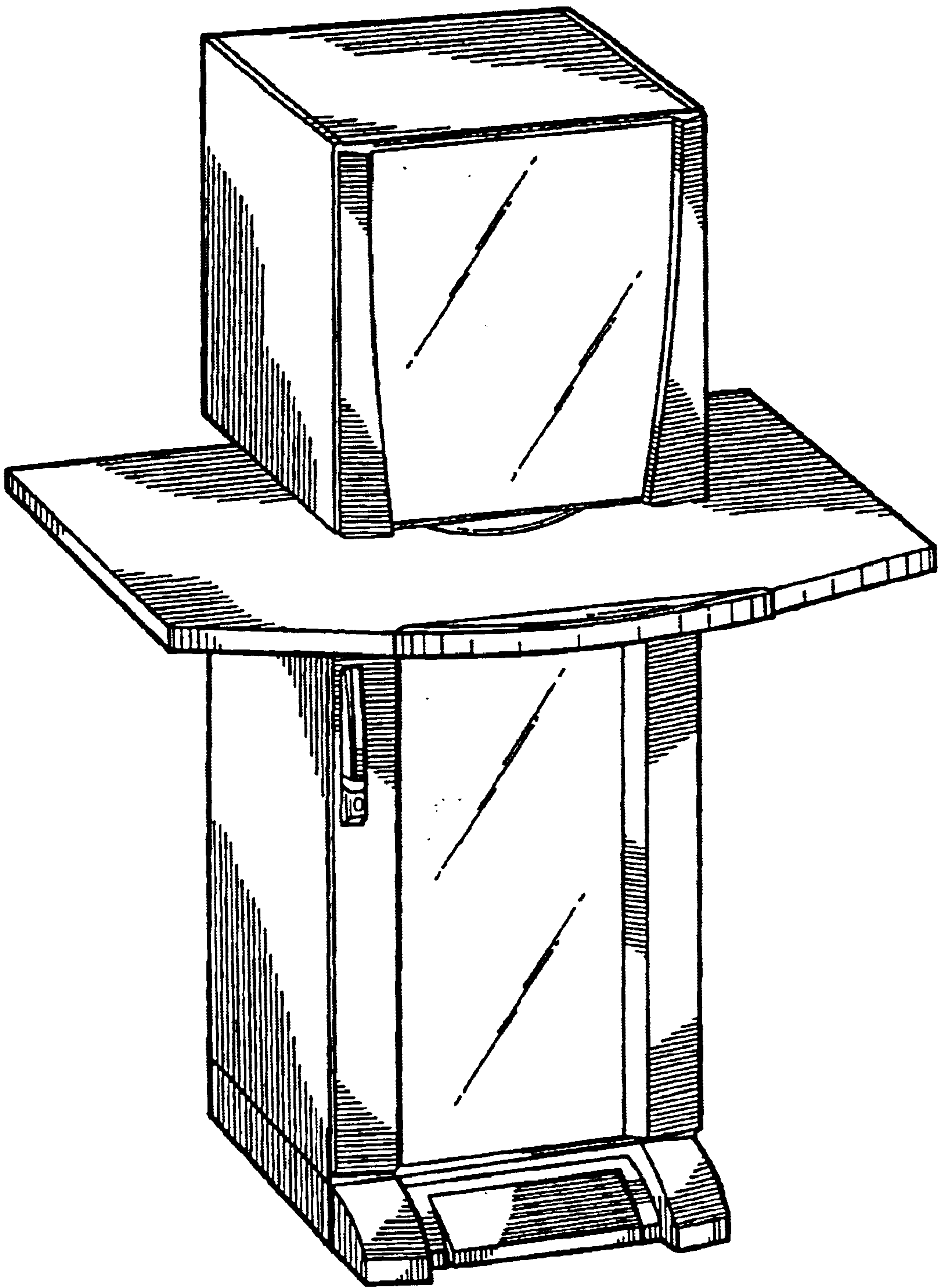
The ornamental design for a switchgear cabinet, as shown.

DESCRIPTION

The FIGURE is a perspective view of a switchgear cabinet, according to this invention.

1 Claim, 1 Drawing Sheet





THE FIGURE