



US00D487729S

(12) **United States Design Patent**
Okuyama et al.

(10) **Patent No.:** **US D487,729 S**

(45) **Date of Patent:** **** Mar. 23, 2004**

(54) **PRESSURE DETECTION SWITCH WITH A
TERMINAL BOX**

(75) Inventors: **Tomoyuki Okuyama**, Toride (JP);
Haruhiko Okuno, Koshigaya (JP);
Akio Sato, Soka (JP); **Mitsuhiro
Saitoh**, Koshigaya (JP)

(73) Assignee: **SMC Kabushiki Kaisha**, Tokyo (JP)

(**) Term: **14 Years**

(21) Appl. No.: **29/147,348**

(22) Filed: **Aug. 24, 2001**

(30) **Foreign Application Priority Data**

Feb. 28, 2001 (JP) 2001-004758

(51) **LOC (7) Cl.** **13-03**

(52) **U.S. Cl.** **D13/171**

(58) **Field of Search** D10/85, 96, 108,
D10/116; D13/171; 200/5 A, 8 R, 61.25,
81.4, 81.5, 82 C, 83 D, 83 P, 520, 251,
261, 276.1, 302, 314, 341; 417/32, 38,
44.1, 44.2; 303/10, 11, 122.09, 160, 166,
167

(56) **References Cited**

U.S. PATENT DOCUMENTS

3,636,288 A * 1/1972 Russell 200/83 SA
4,524,254 A * 6/1985 Yoshida et al. 200/83 R
4,540,860 A * 9/1985 Odashima et al. 200/83 C

5,108,265 A * 4/1992 Koike 417/32
5,565,666 A * 10/1996 Kautz 200/83 P
6,016,102 A * 1/2000 Fortune et al. 340/442
D445,047 S * 7/2001 Higashikata et al. D10/85
D455,362 S * 4/2002 Okuyama et al. D10/96

* cited by examiner

Primary Examiner—Ted Shooman

Assistant Examiner—Selina Sikder

(74) *Attorney, Agent, or Firm*—Frishauf, Holtz, Goodman
& Chick, P.C.

(57) **CLAIM**

The ornamental design for a pressure detection switch with
a terminal box, as shown and described.

DESCRIPTION

FIG. 1 is a top, front and right side perspective view of a
pressure detection switch with a terminal box, showing our
new design;

FIG. 2 is a front view thereof;

FIG. 3 is a rear view thereof;

FIG. 4 is a top plan view thereof;

FIG. 5 is a bottom plan view thereof;

FIG. 6 is a right side view thereof;

FIG. 7 is a left side view thereof; and,

FIG. 8 is a bottom, rear and left side perspective view of
FIG. 1.

The broken line showing of the environment is for illustra-
tive purpose only and forms no part of the claimed design.

1 Claim, 8 Drawing Sheets

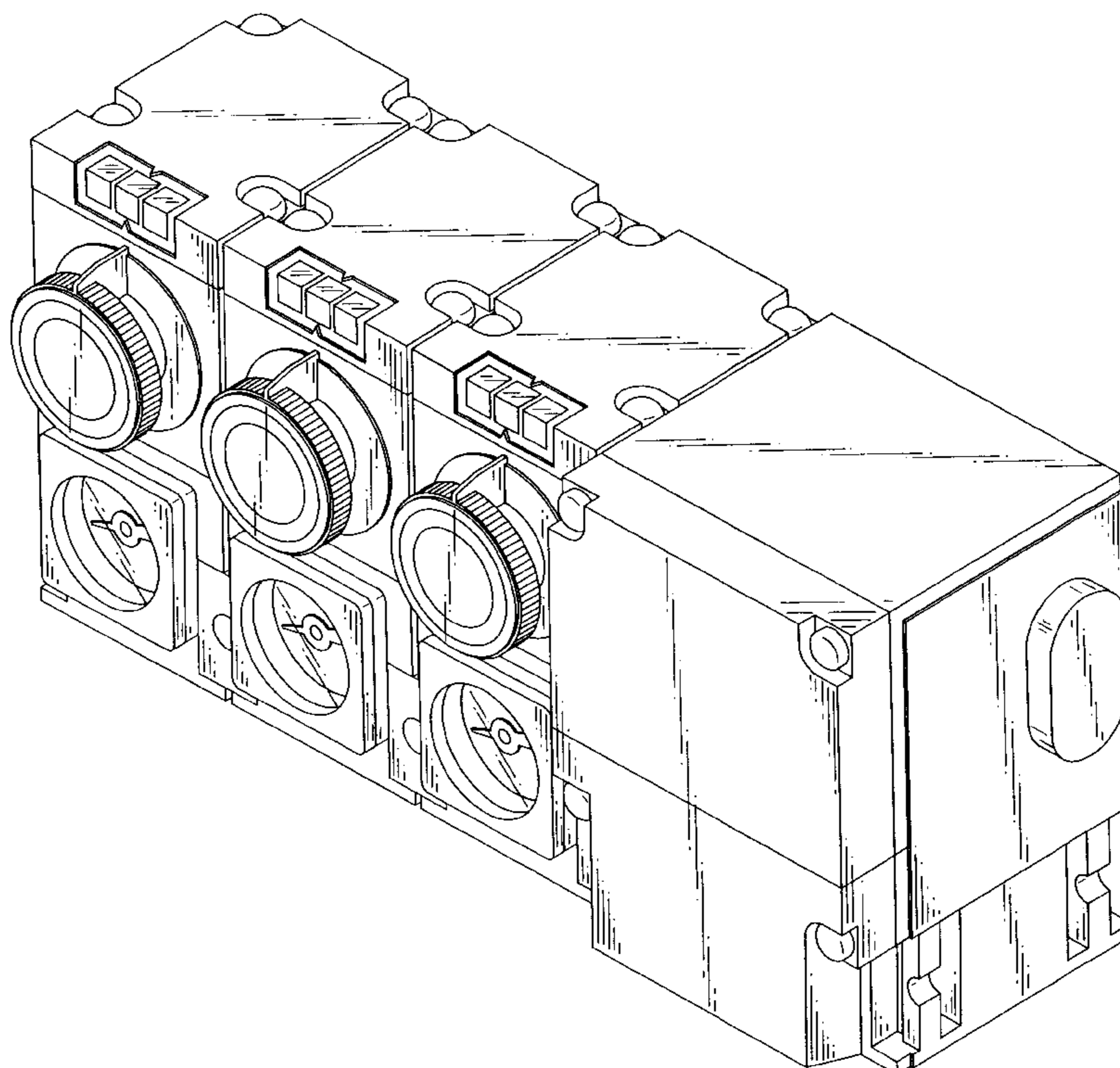


FIG. 1

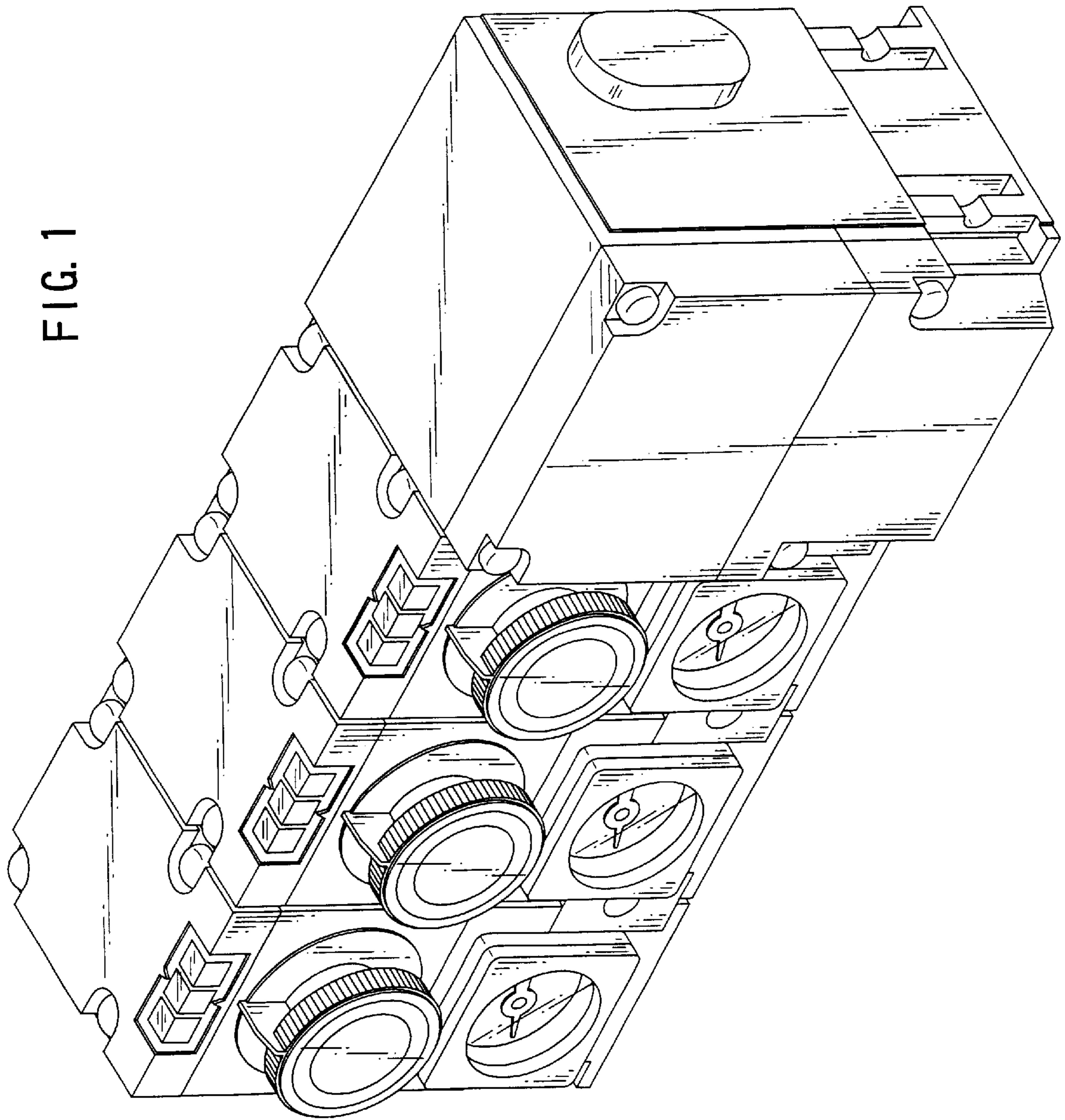


FIG. 2

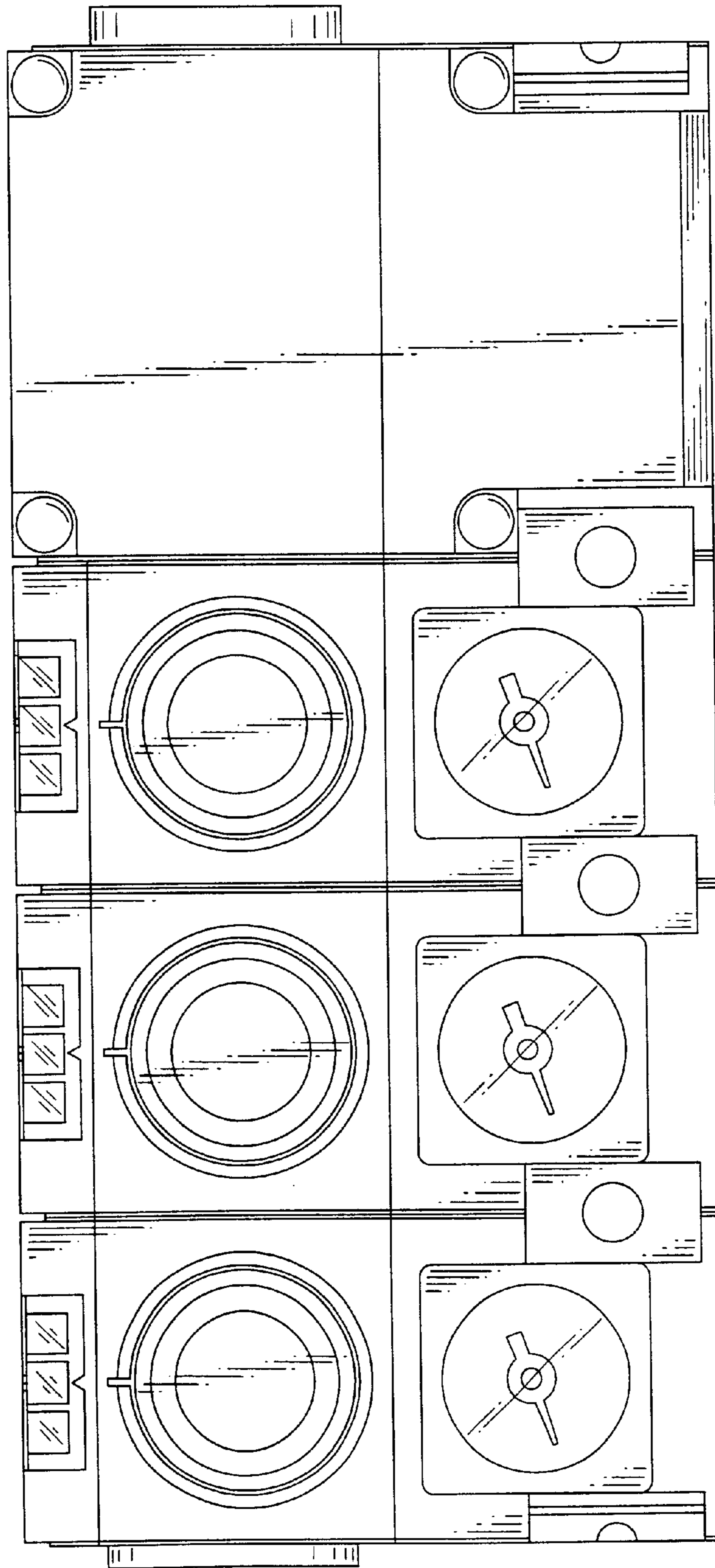


FIG. 3

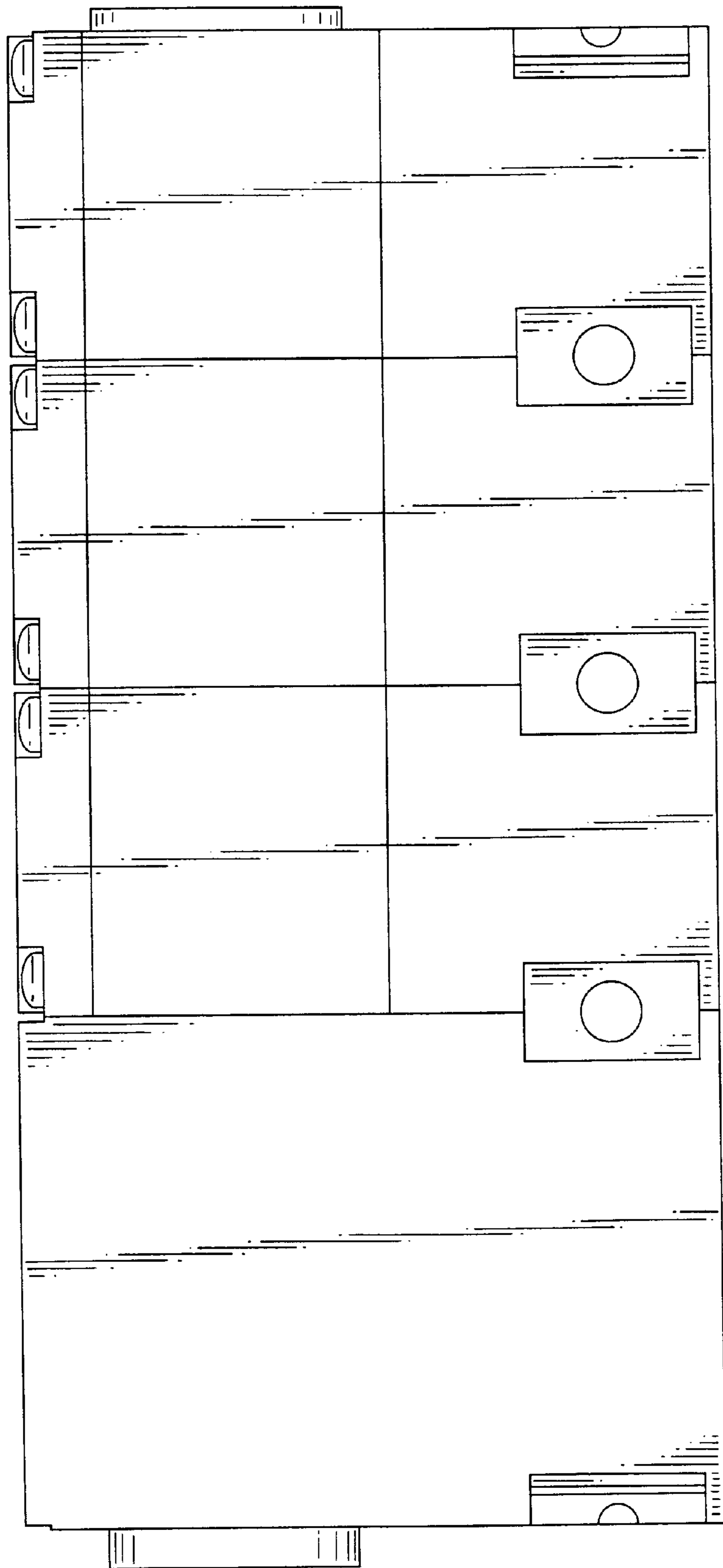


FIG. 4

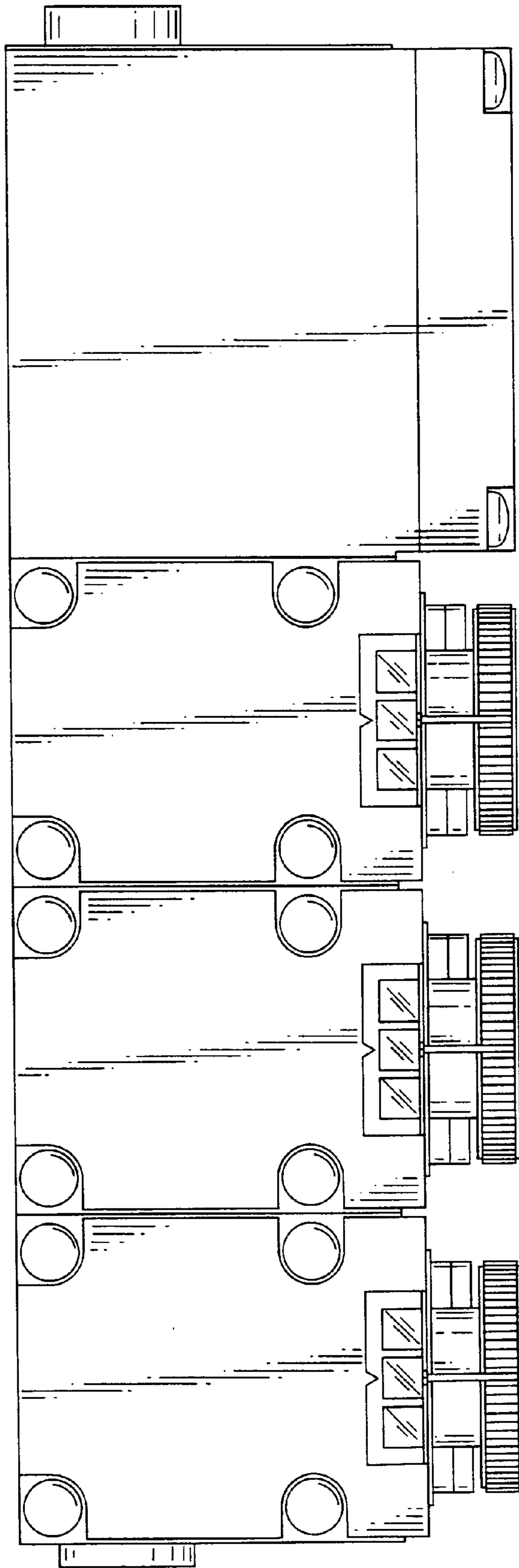


FIG. 5

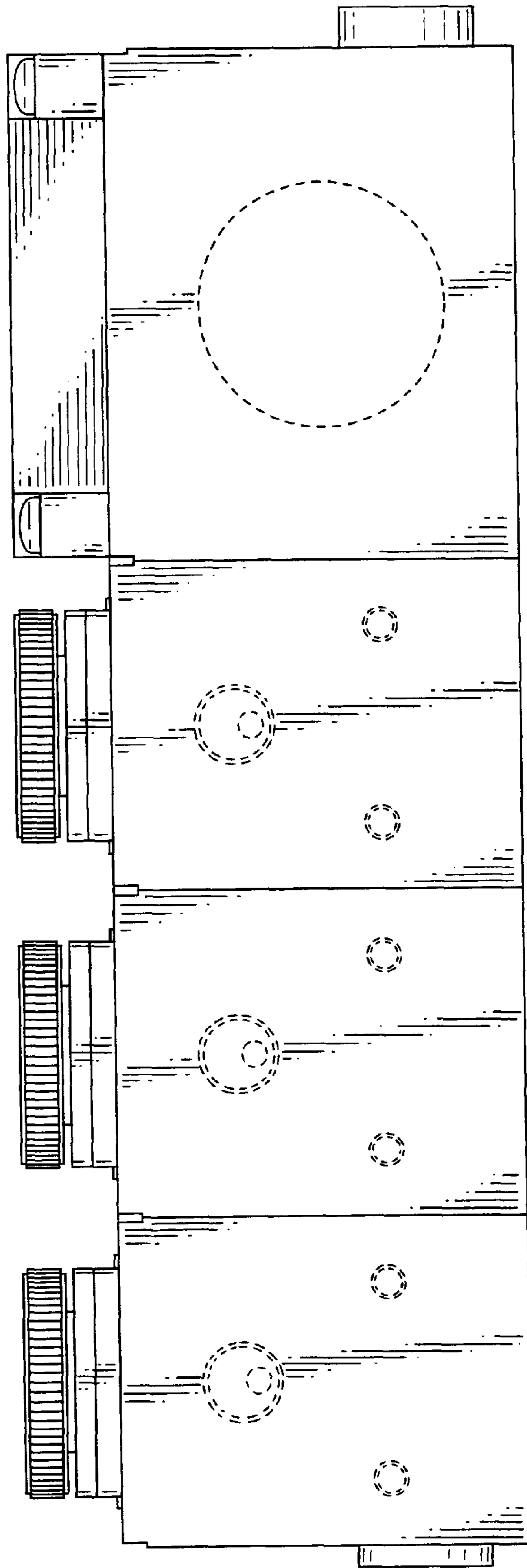


FIG. 6

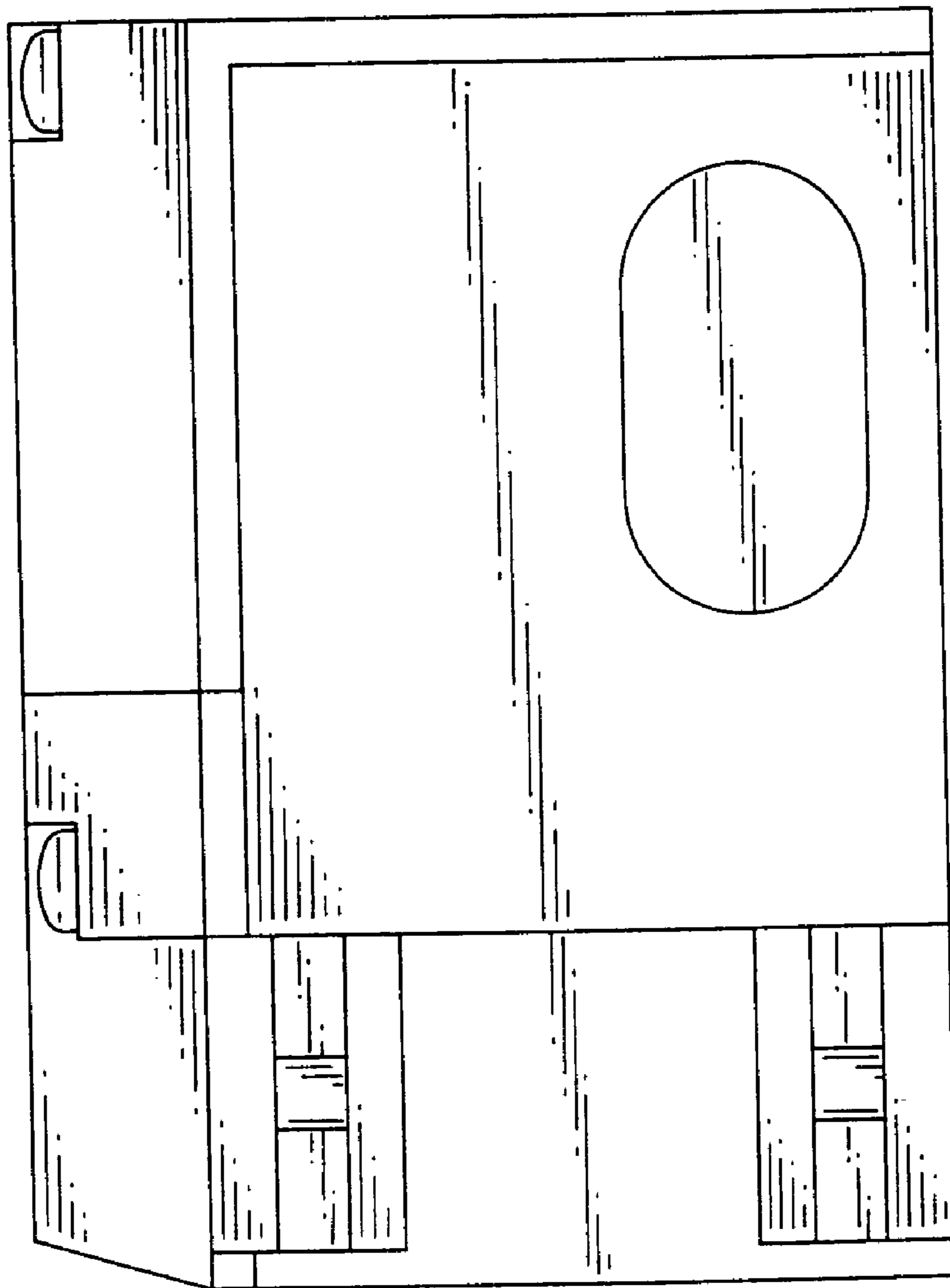
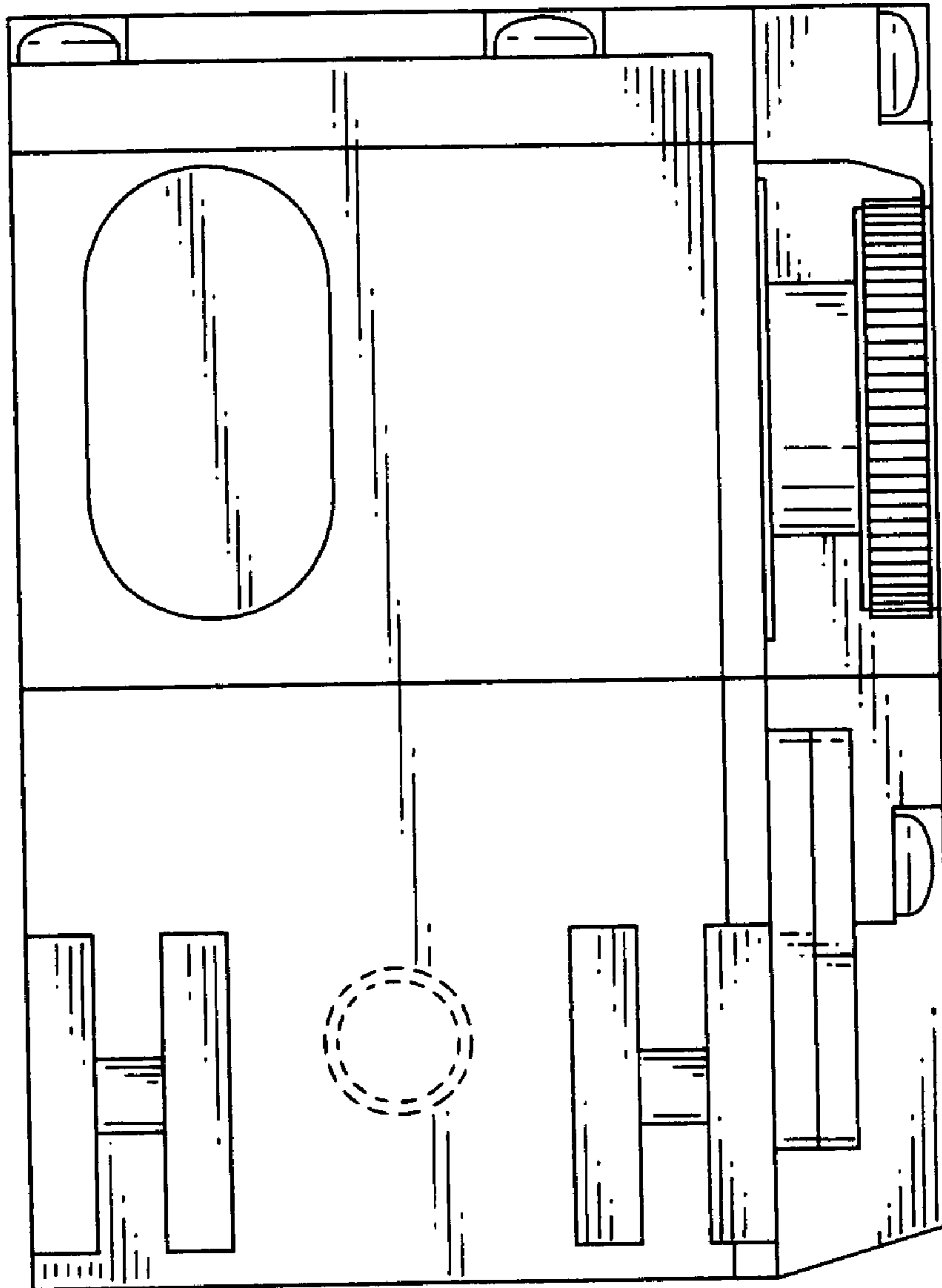


FIG. 7



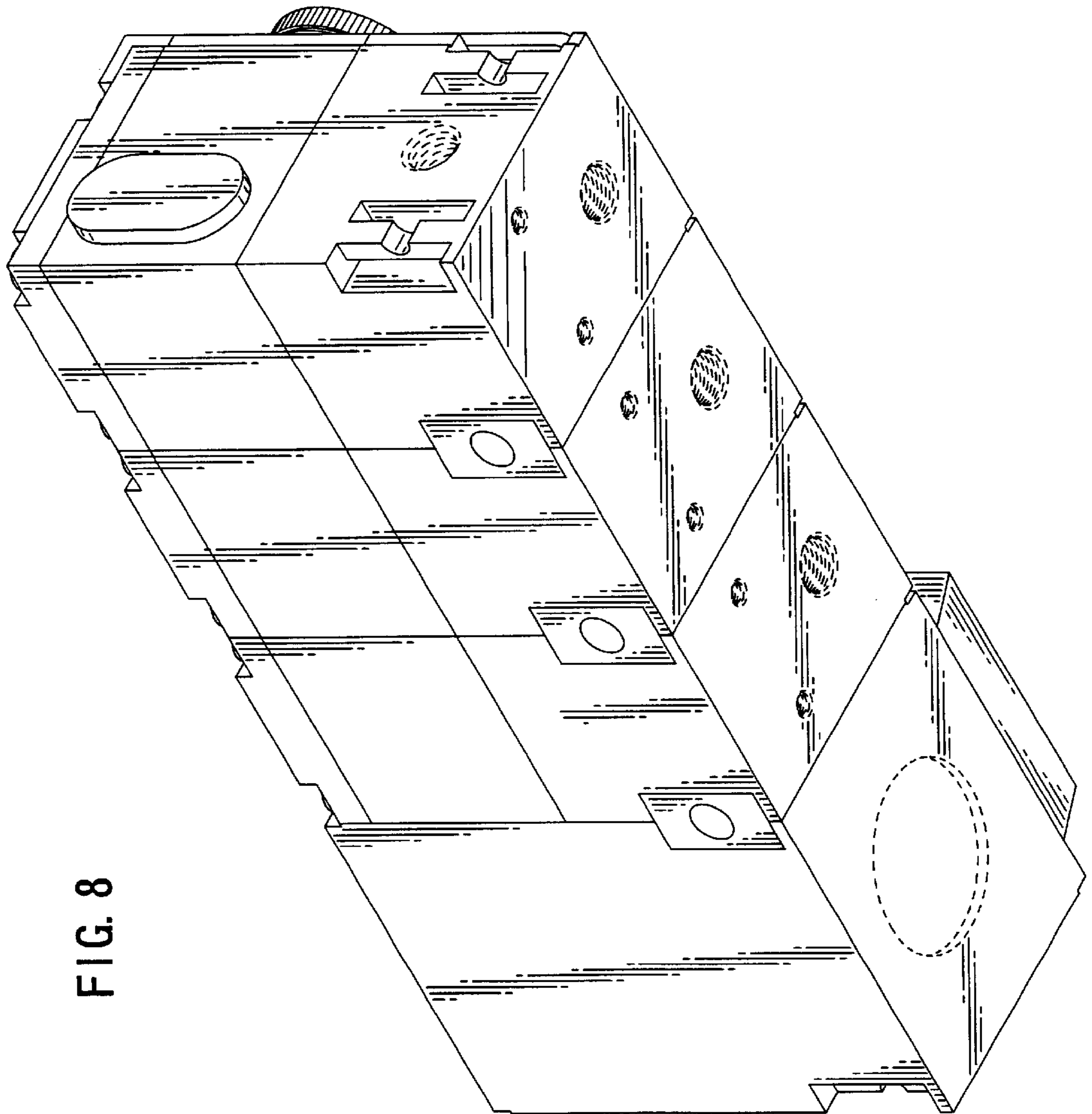


FIG. 8