



US00D487726S

(12) **United States Design Patent**
Okuda

(10) **Patent No.:** **US D487,726 S**

(45) **Date of Patent:** **** Mar. 23, 2004**

(54) **SAFETY CAP FOR ELECTRIC PLUG**

(76) **Inventor:** **Hideki Okuda**, 2124 Floyd St.,
Burbank, CA (US) 91504

(**) **Term:** **14 Years**

(21) **Appl. No.:** **29/180,744**

(22) **Filed:** **Apr. 30, 2003**

(51) **LOC (7) Cl.** **13-03**

(52) **U.S. Cl.** **D13/156**

(58) **Field of Search** D13/139.1, 154,
D13/156; 439/133-135, 527, 528, 574,
575

(56) **References Cited**

U.S. PATENT DOCUMENTS

2,024,734	A	*	12/1935	Hoskins	439/501
2,759,492	A	*	8/1956	Benson et al.	439/134
D338,446	S	*	8/1993	Werner	D13/156
D354,043	S	*	1/1995	Noland	D13/156
6,004,157	A	*	12/1999	Glass	439/574
6,159,025	A	*	12/2000	Derman	439/134
6,398,422	B1	*	6/2002	Szilagy et al.	385/76

6,508,654	B1	*	1/2003	Tatz	439/134
2002/0058433	A1	*	5/2002	O'Malley	439/148
2002/0086570	A1	*	7/2002	Lawrence et al.	439/148

* cited by examiner

Primary Examiner—Joel Sincavage

(74) *Attorney, Agent, or Firm*—Allan M. Shapiro

(57) **CLAIM**

The ornamental design for a safety cap for electric plug, as shown and described.

DESCRIPTION

FIG. 1 is a perspective view from the top, left side and front of a safety cap for electric plug, showing my new design; FIG. 2 is a perspective view from the top, right side and rear thereof; FIG. 3 is an elevational view from the left side thereof; FIG. 4 is a front elevational view thereof; FIG. 5 is a rear elevational view thereof; FIG. 6 is a bottom plan view thereof; FIG. 7 is a right side elevational view thereof; and, FIG. 8 is a top plan view thereof.

1 Claim, 2 Drawing Sheets

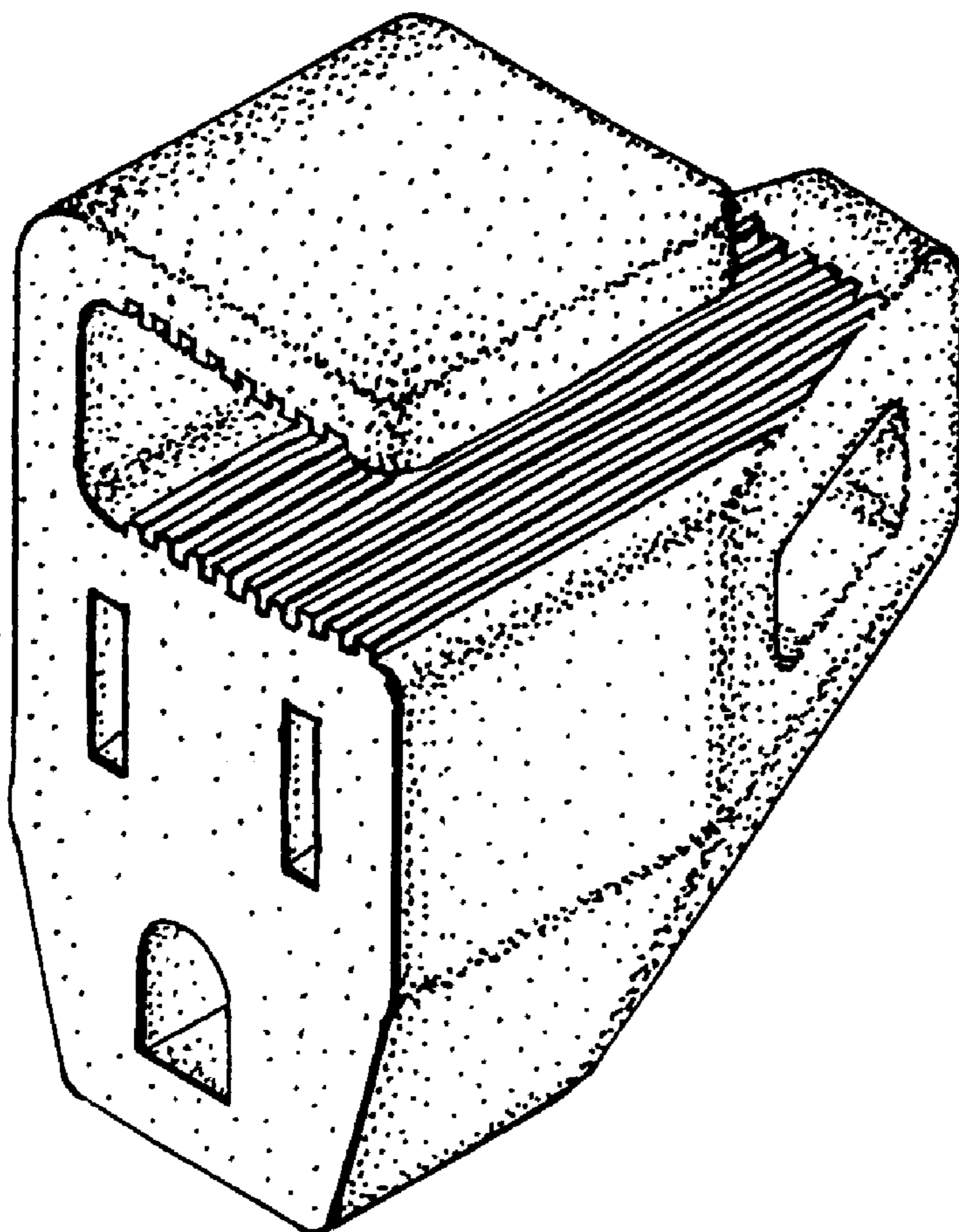


FIG. 1

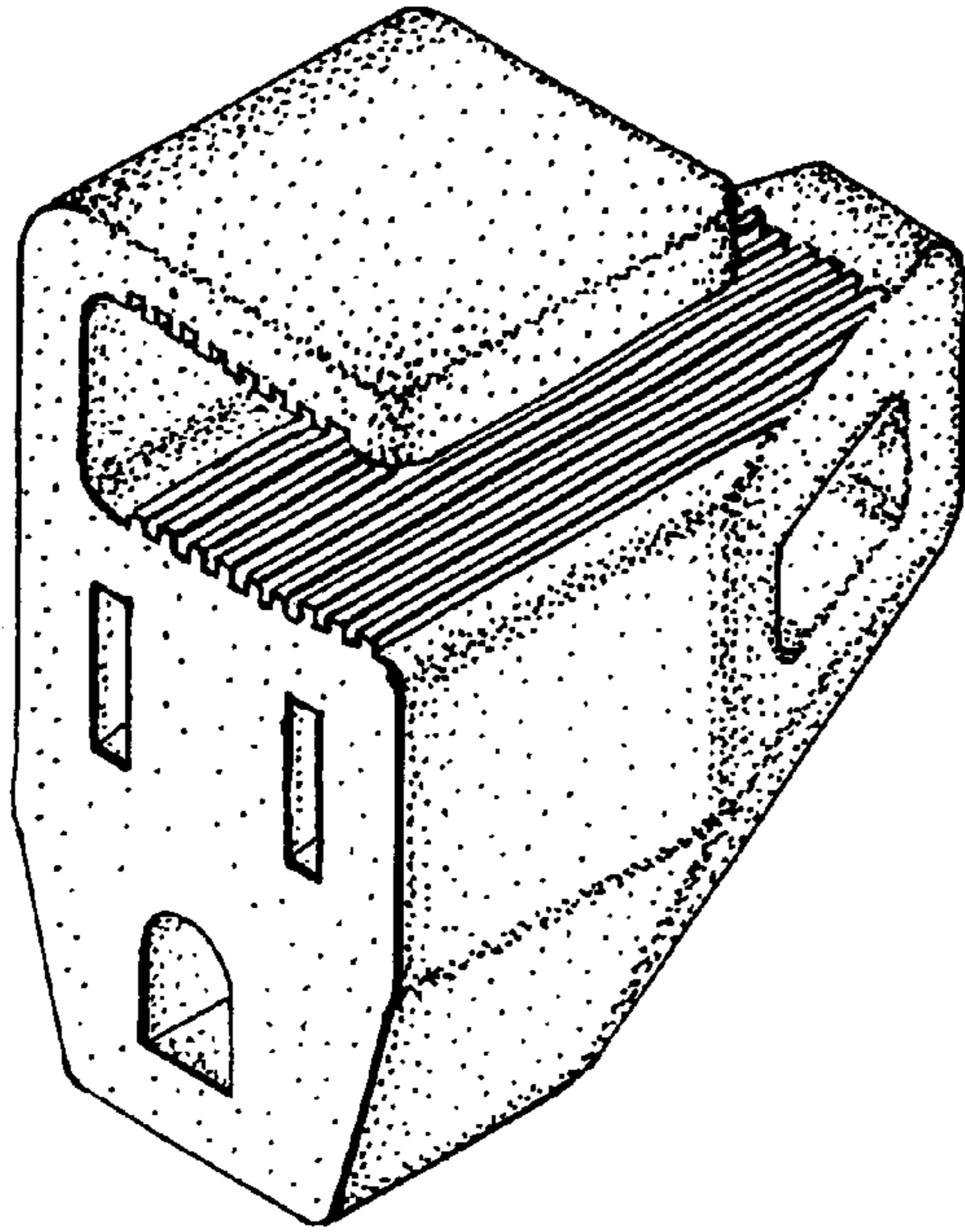


FIG. 2

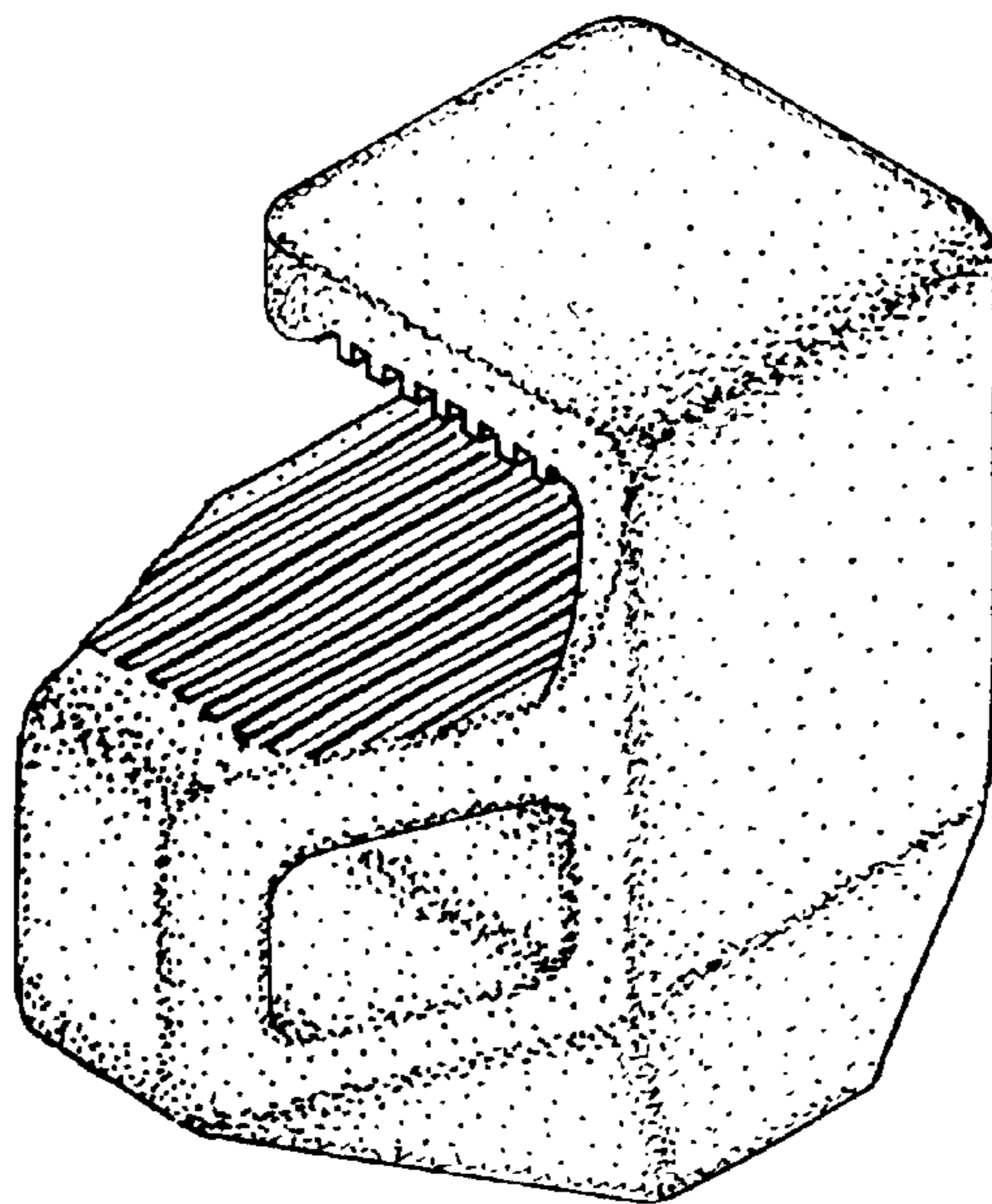


FIG. 3

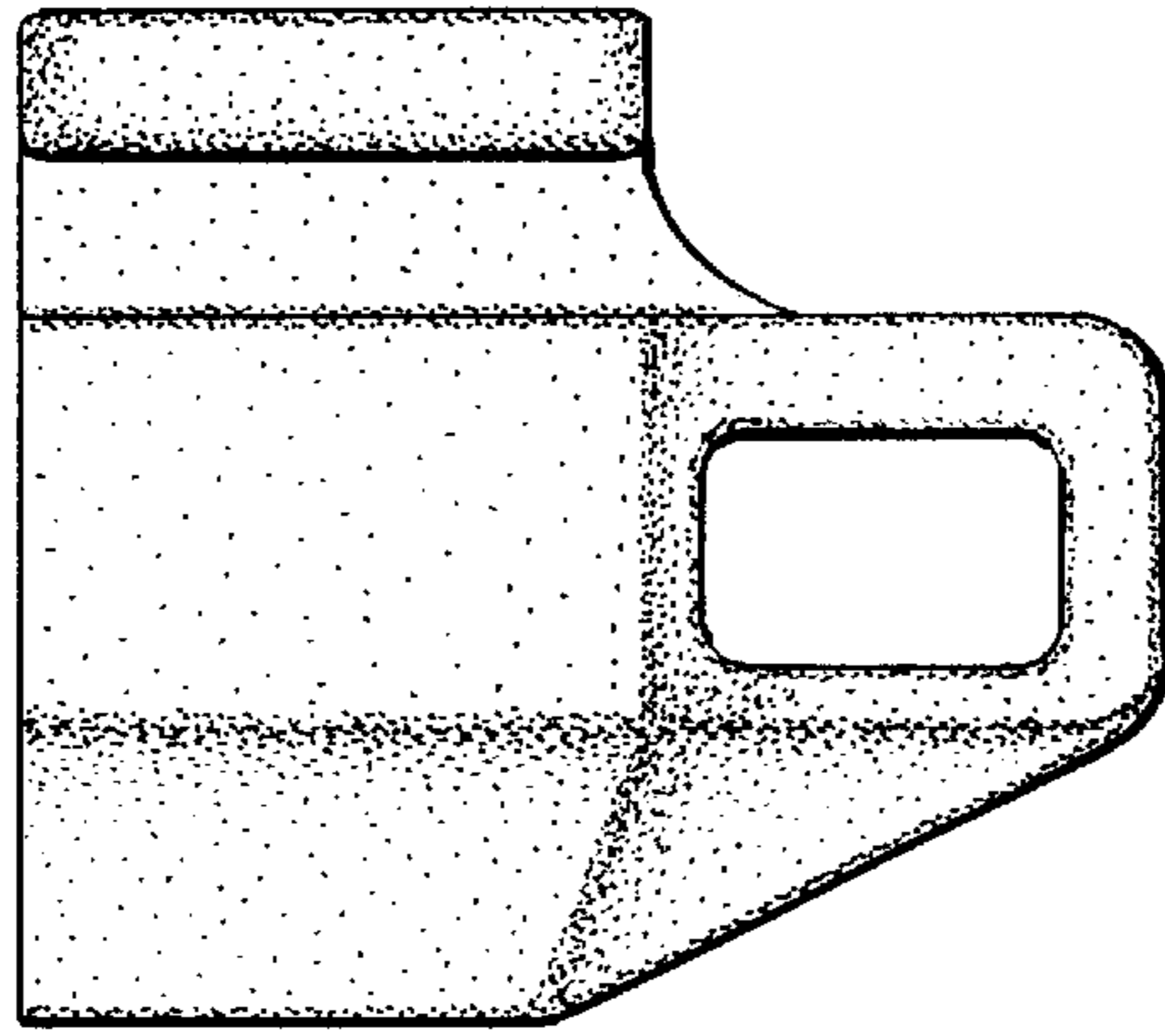


FIG. 4

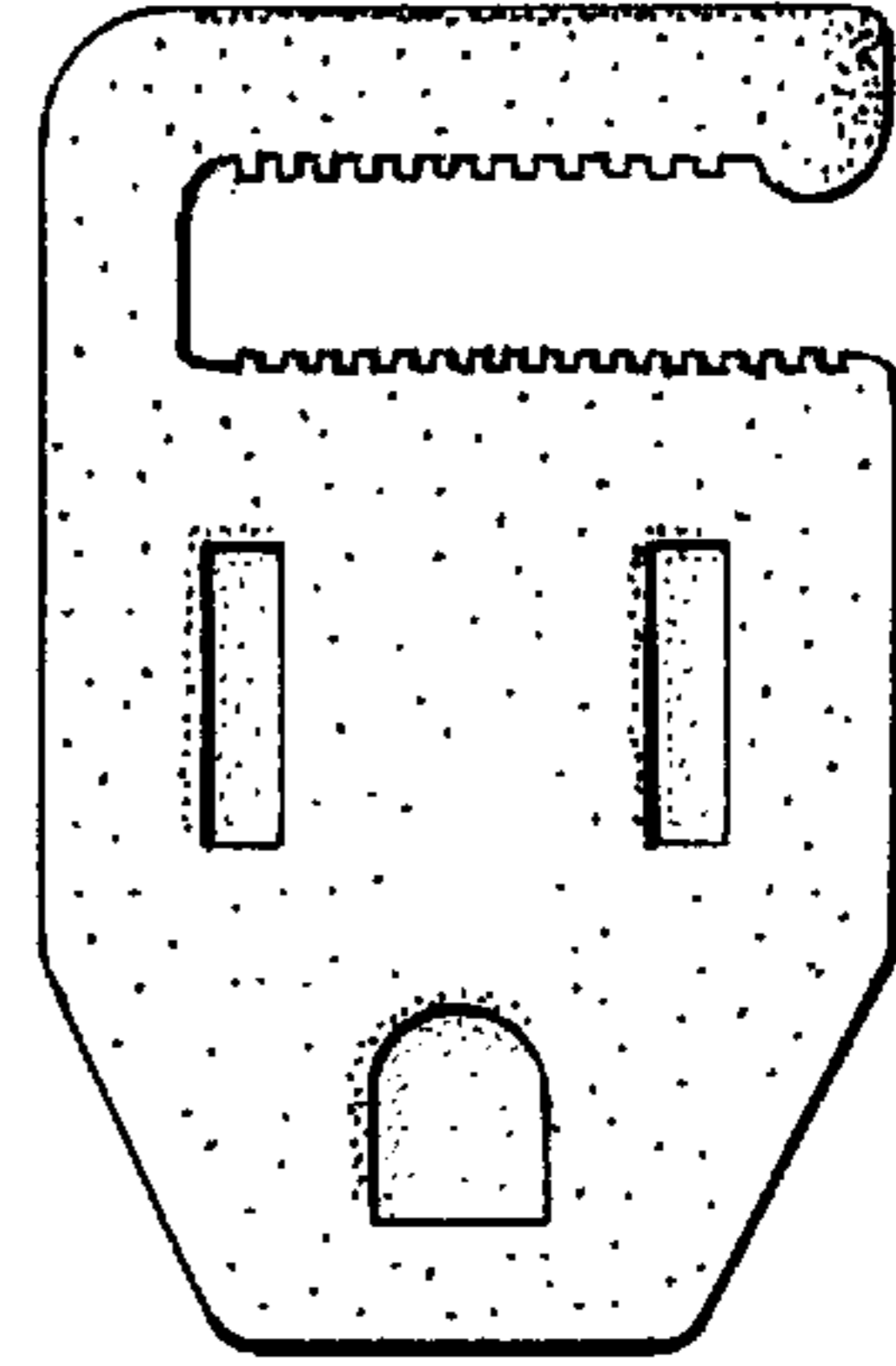


FIG. 5

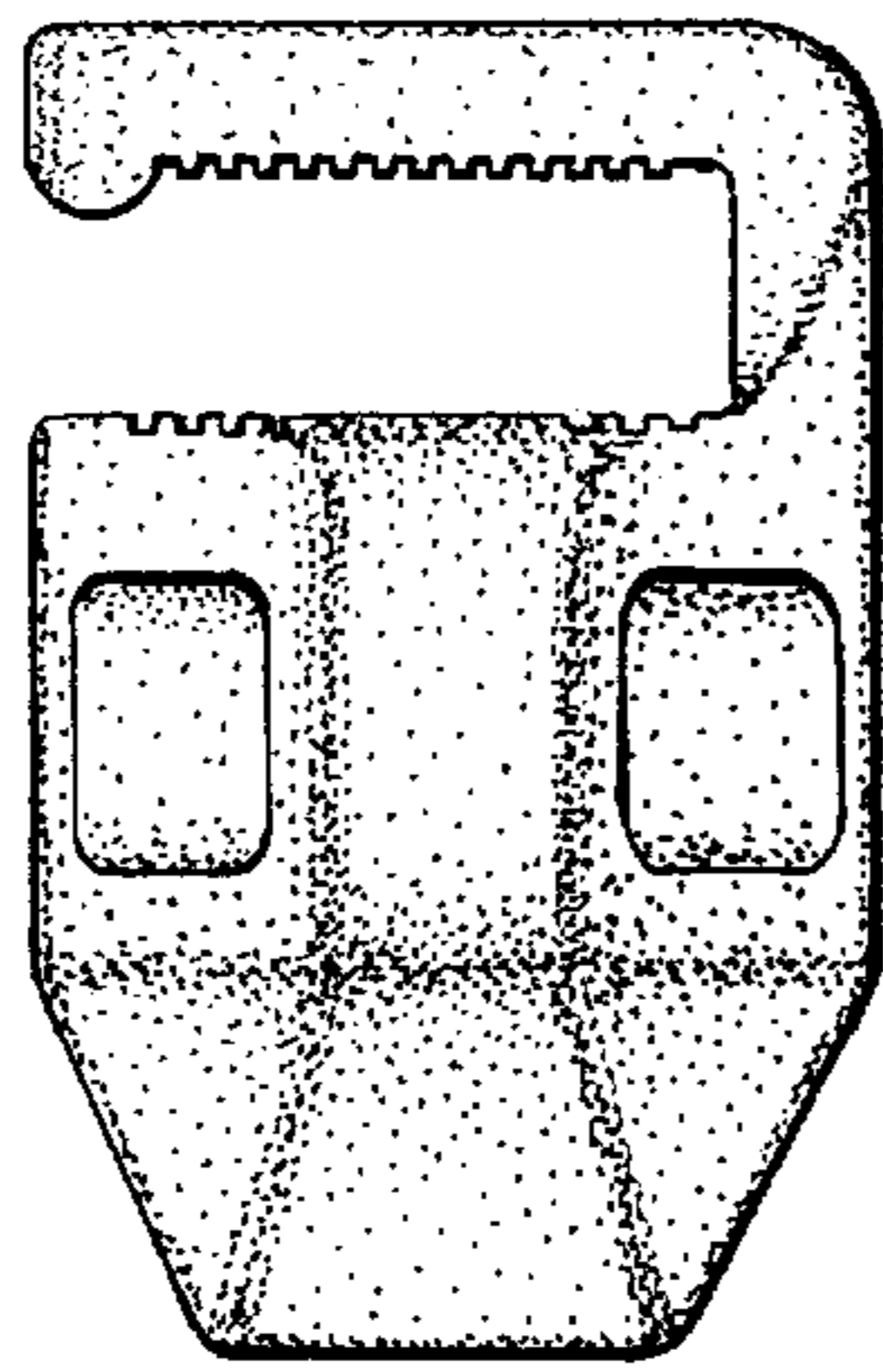


FIG. 6

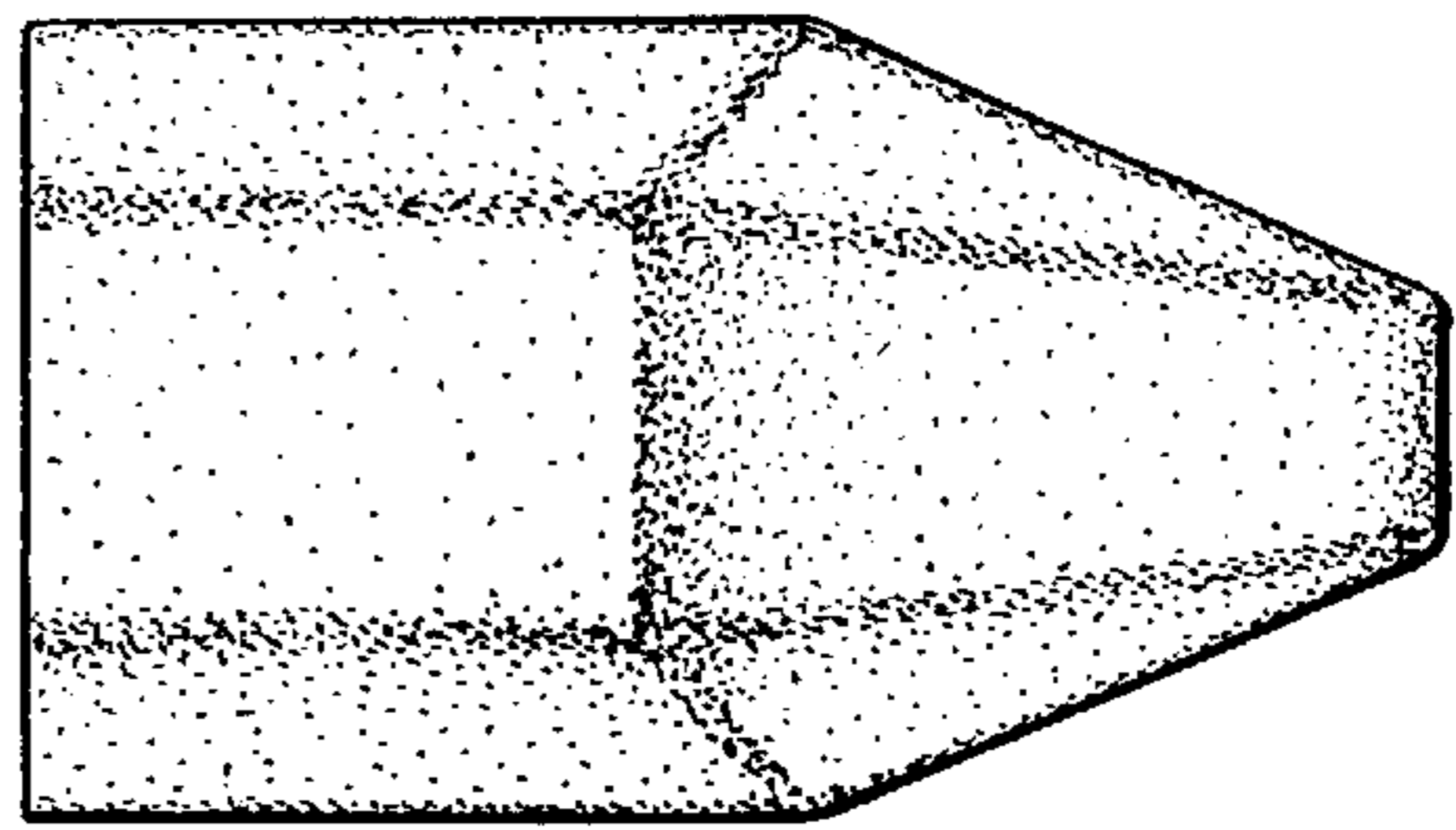


FIG. 7

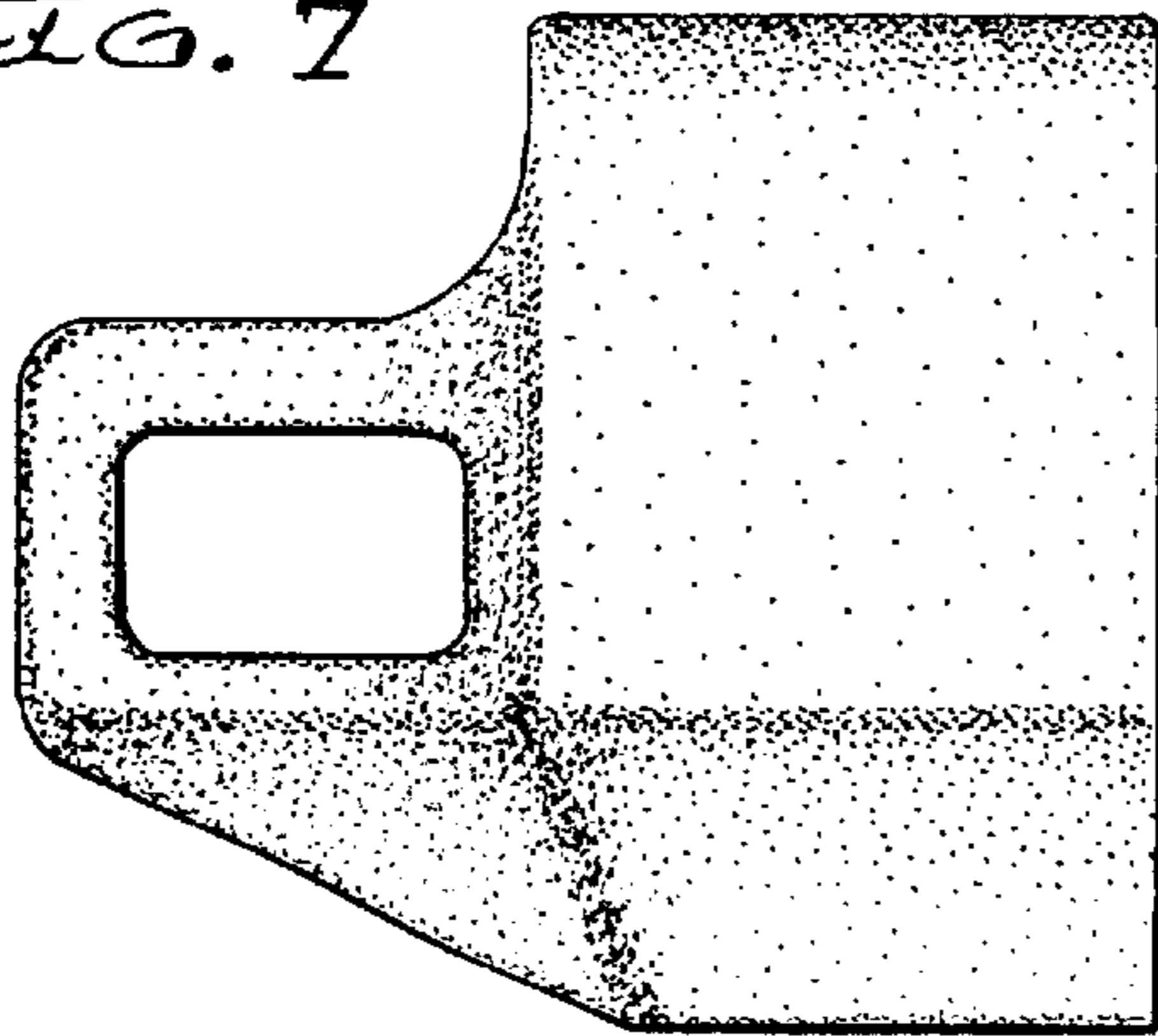


FIG. 8

