



US00D487725S

(12) **United States Design Patent**  
**Terpening**

(10) **Patent No.:** **US D487,725 S**

(45) **Date of Patent:** **\*\* Mar. 23, 2004**

(54) **RETRACTABLE JUMPER CABLES**

(76) **Inventor:** **Timothy Scott Terpening**, 11300 S. Bird Rd., Dowling, MI (US) 49050

(\*\*) **Term:** **14 Years**

(21) **Appl. No.:** **29/180,992**

(22) **Filed:** **May 3, 2003**

(51) **LOC (7) Cl.** ..... **13-03**

(52) **U.S. Cl.** ..... **D13/154**

(58) **Field of Search** ..... D13/119, 120, D13/154, 155; D8/358; 439/504, 528; 191/12.4; 242/378, 379

(56) **References Cited**

**U.S. PATENT DOCUMENTS**

- 3,337,695 A \* 8/1967 Brown ..... 191/12.4
- 3,853,285 A \* 12/1974 Woodring ..... 242/378.1
- 4,037,720 A \* 7/1977 McGurk ..... 206/702
- 4,466,581 A \* 8/1984 Hill ..... 242/388.1
- 4,653,833 A \* 3/1987 Czubernat et al. .... 439/528

- 4,971,577 A \* 11/1990 Scheckel ..... 439/504
- D352,928 S \* 11/1994 Ford ..... D13/120
- D461,451 S \* 8/2002 Hawley ..... D13/137.4

\* cited by examiner

*Primary Examiner*—Joel Sincavage

(57) **CLAIM**

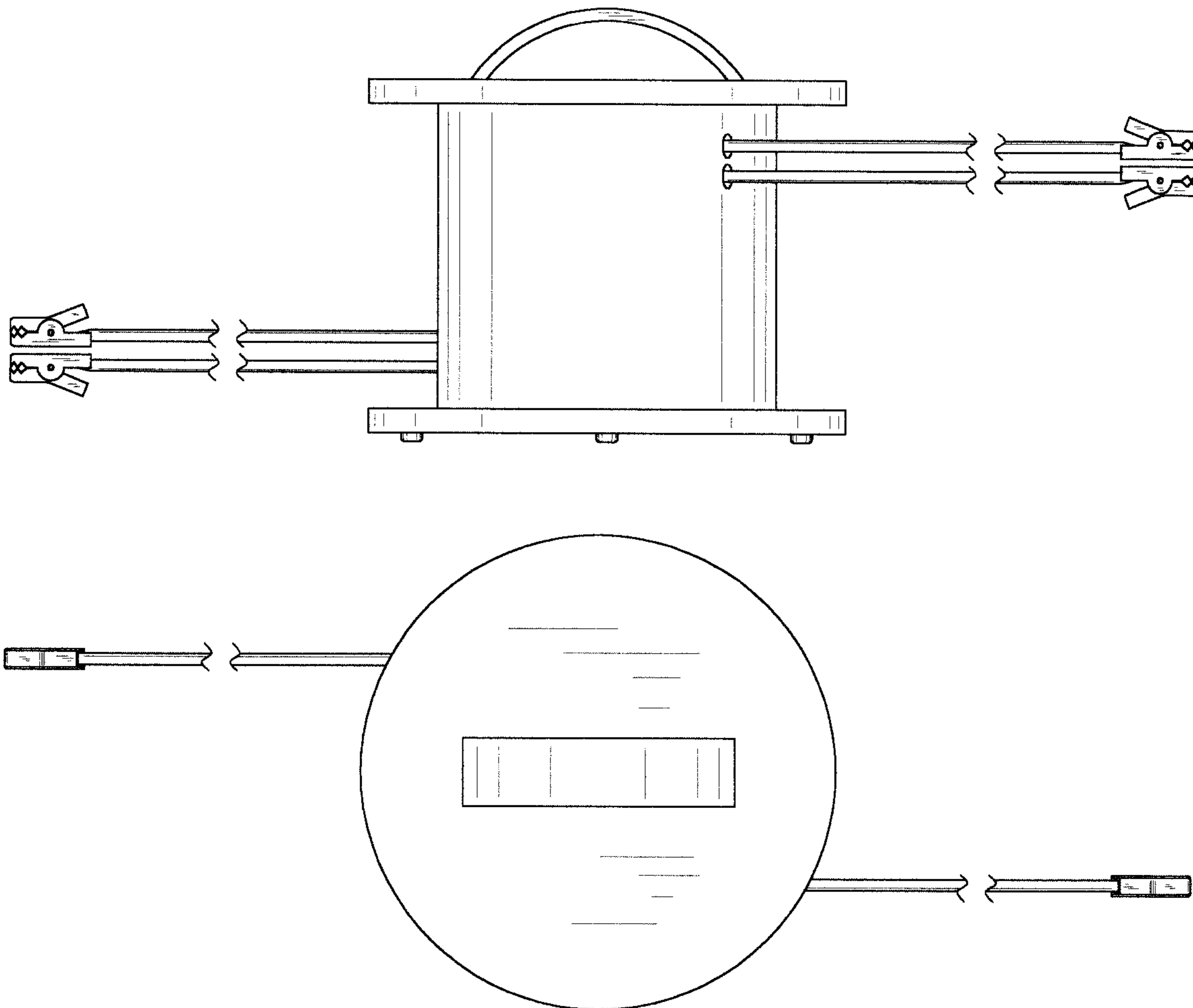
The ornamental design for retractable jumper cables, as shown and described.

**DESCRIPTION**

FIG. 1 is a front elevational view of retractable jumper cables showing my new design; FIG. 2 is a rear elevational view thereof; FIG. 3 is a side view, taken from the left side of FIG. 1; FIG. 4 is a side view, taken from the right side of FIG. 1; FIG. 5 is a top plan view thereof; and, FIG. 6 is a bottom plan view thereof.

The cables are shown broken away in FIGS. 1, 2, 5 and 6 because a specific length for the cables forms no part of the claimed design.

**1 Claim, 4 Drawing Sheets**



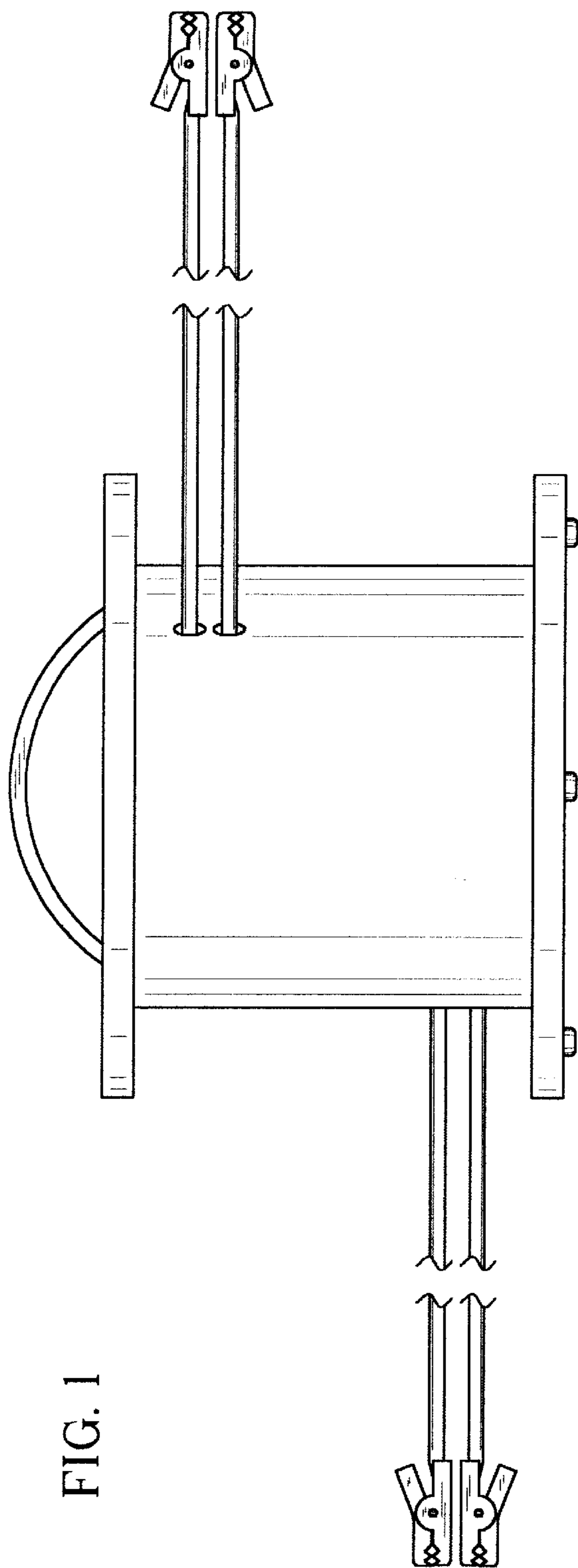


FIG. 1

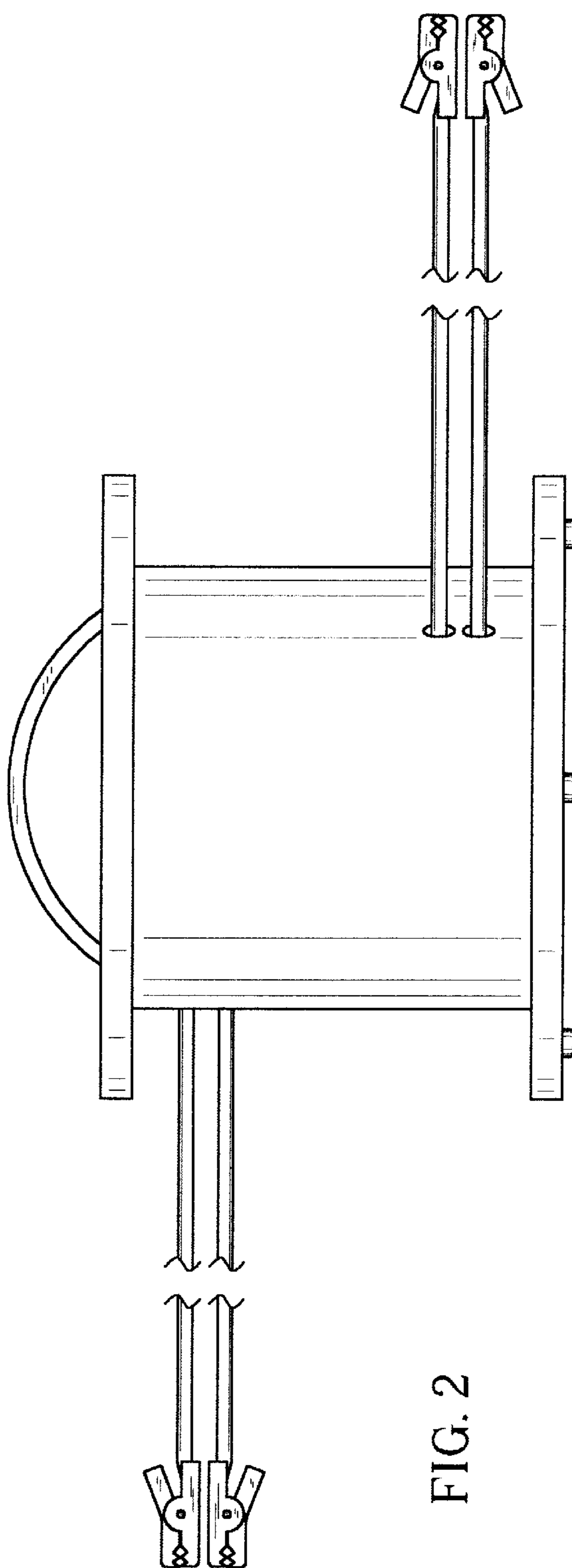


FIG. 2

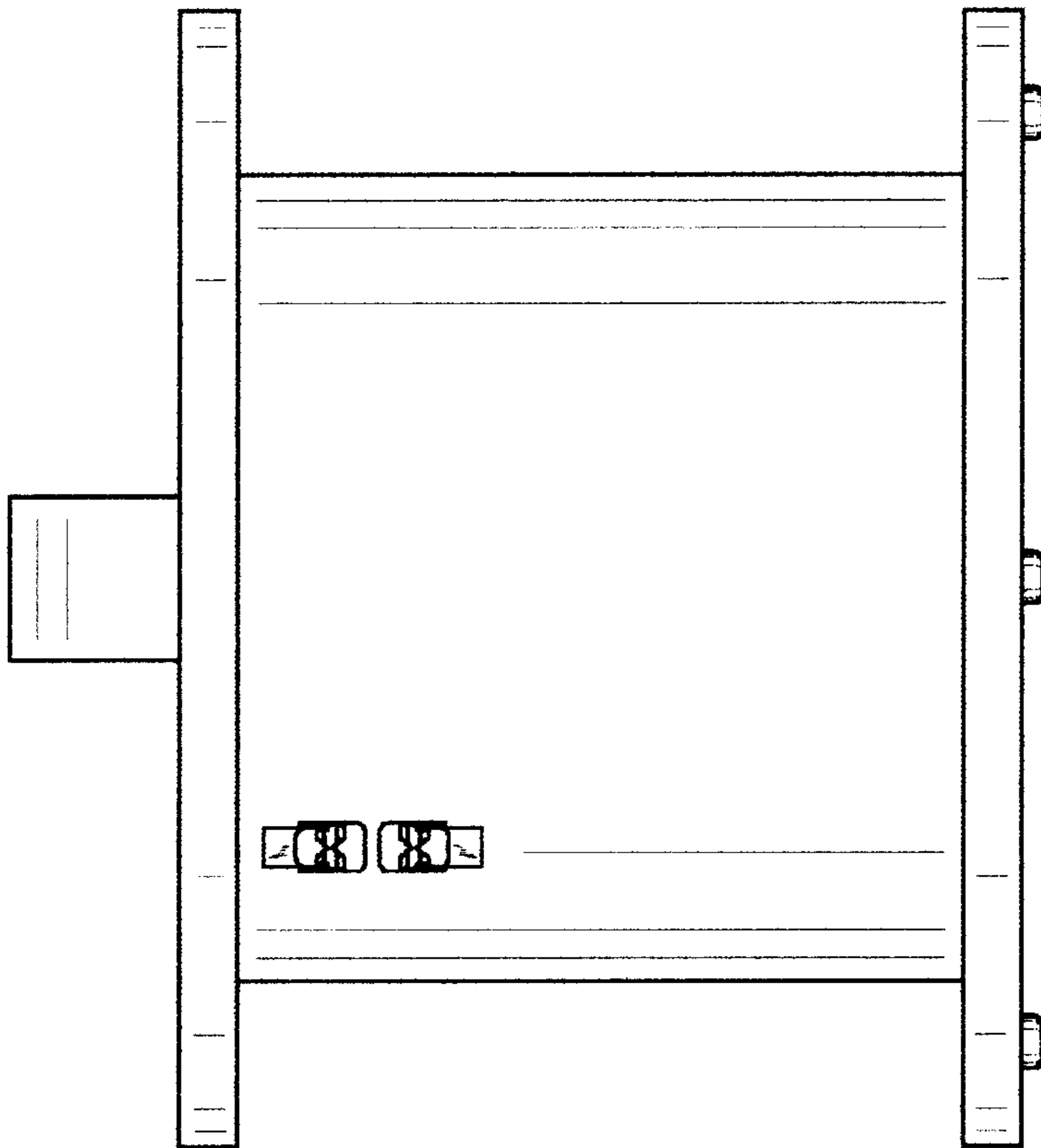


FIG. 4

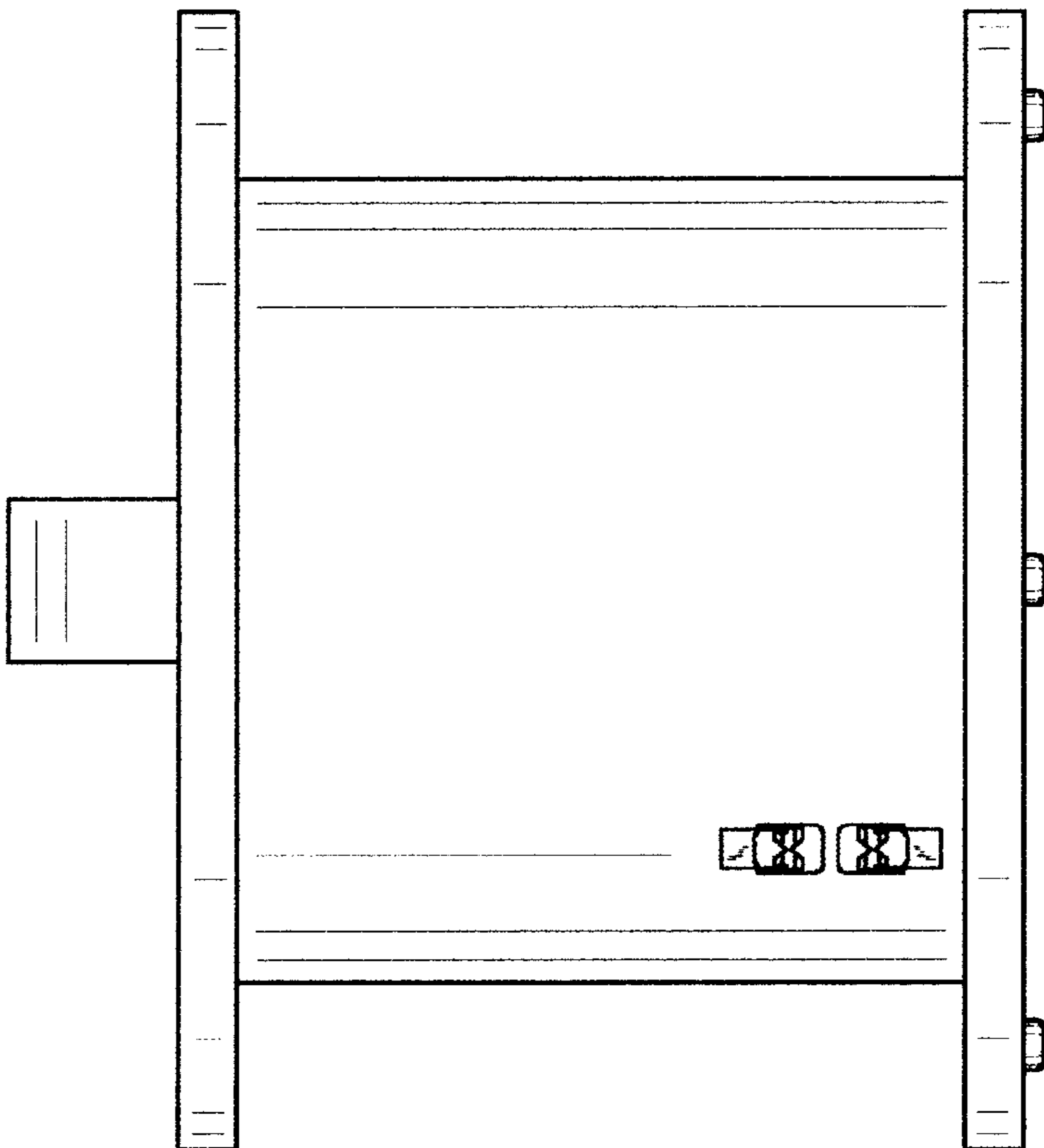


FIG. 3

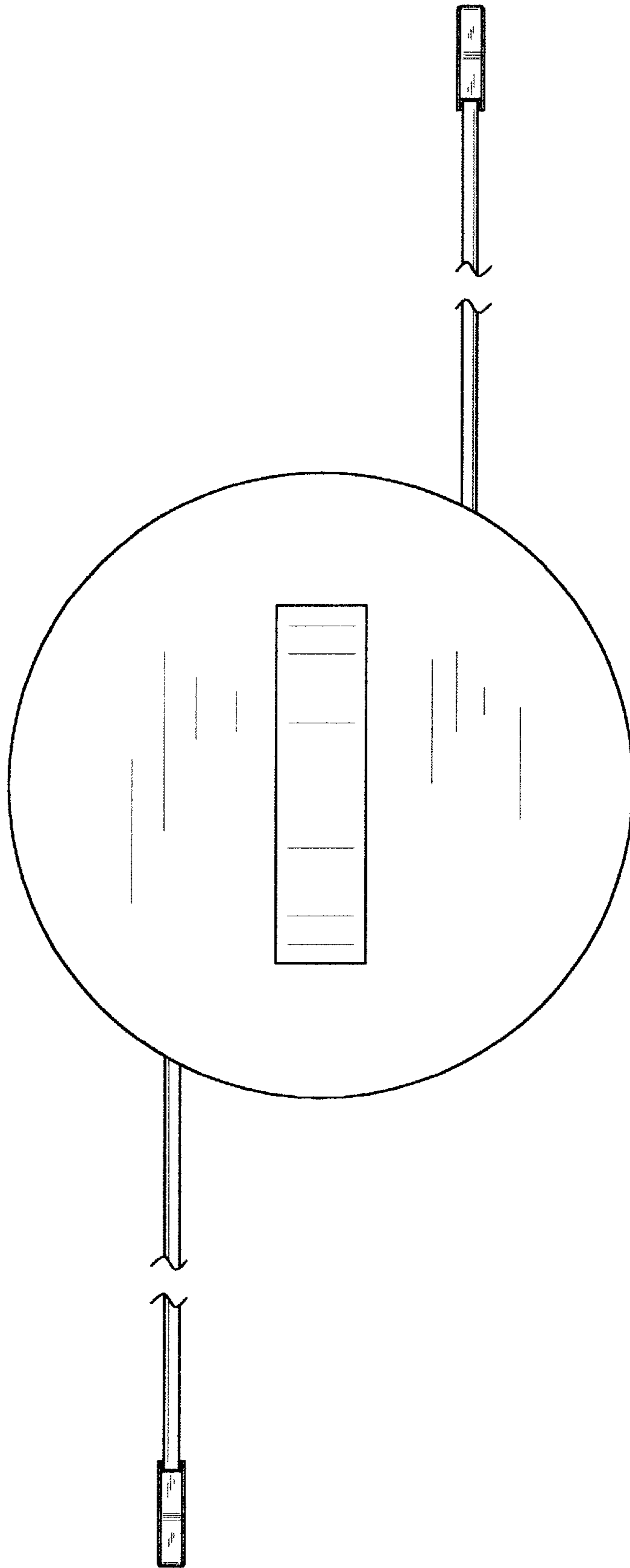


FIG. 5

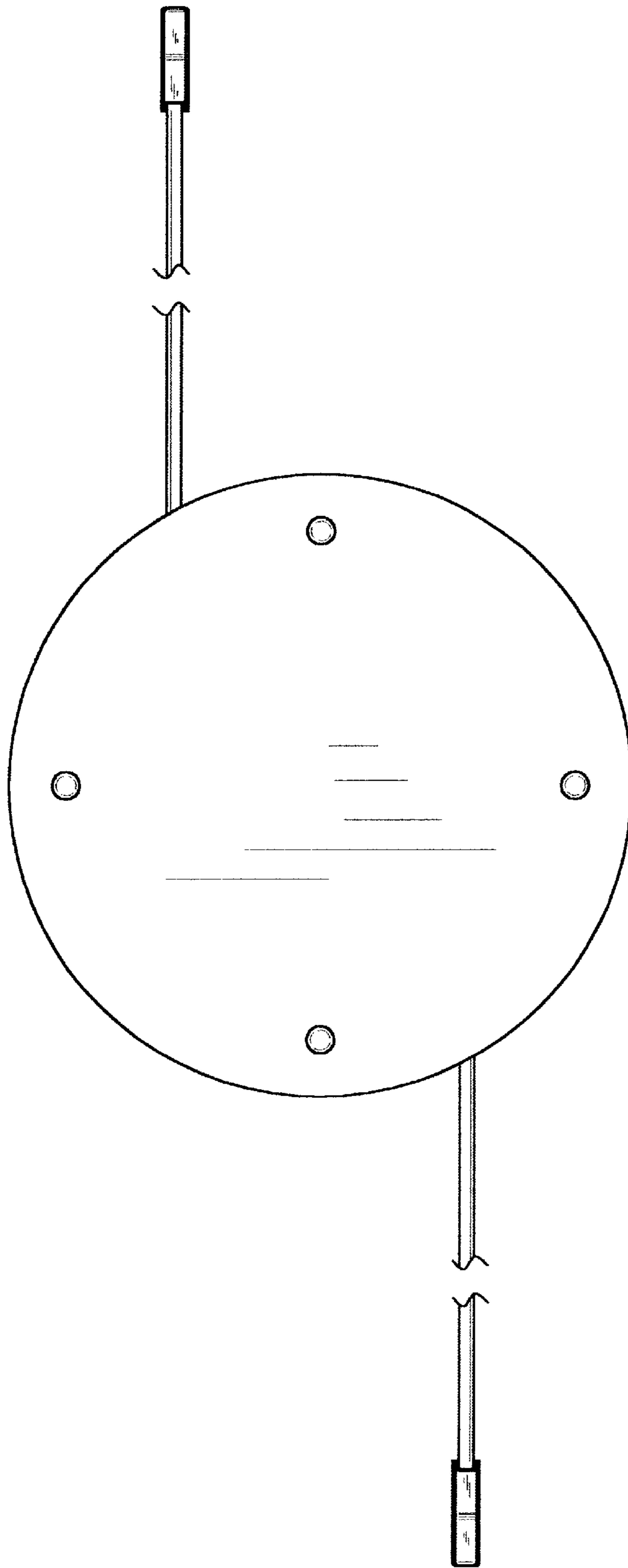


FIG. 6