



US00D487716S

(12) **United States Design Patent**
Weber

(10) **Patent No.:** **US D487,716 S**

(45) **Date of Patent:** **** Mar. 23, 2004**

(54) **VEHICLE RUNNING BOARD**

(75) Inventor: **Michael G. Weber**, Shelby Township, MI (US)

(73) Assignee: **1102552 Ontario Ltd.**, Ontario (CA)

(**) Term: **14 Years**

(21) Appl. No.: **29/183,668**

(22) Filed: **Jun. 16, 2003**

(51) **LOC (7) Cl.** **12-16**

(52) **U.S. Cl.** **D12/203**

(58) **Field of Search** D12/203, 190;
280/163, 164.1-164.2, 847, 848, 169; 296/97.23;
428/81, 82

(56) **References Cited**

U.S. PATENT DOCUMENTS

D82,547 S	*	11/1930	Earl	D12/203
D247,893 S	*	5/1978	Okland	D12/203
D249,501 S	*	9/1978	Chapman	D12/203
D284,752 S	*	7/1986	Horton, Jr.	D12/203
D330,536 S	*	10/1992	Holloway et al.	D12/203
D351,128 S	*	10/1994	Waddington et al.	D12/203
D395,268 S	*	6/1998	Tucker	D12/203
D434,711 S	*	12/2000	McQuiston	D12/203

D436,336 S * 1/2001 Sadr D12/203
D456,747 S * 5/2002 Louie D12/203 X

* cited by examiner

Primary Examiner—Stacia Cadmus

(74) *Attorney, Agent, or Firm*—Harness, Dickey & Pierce, PLC

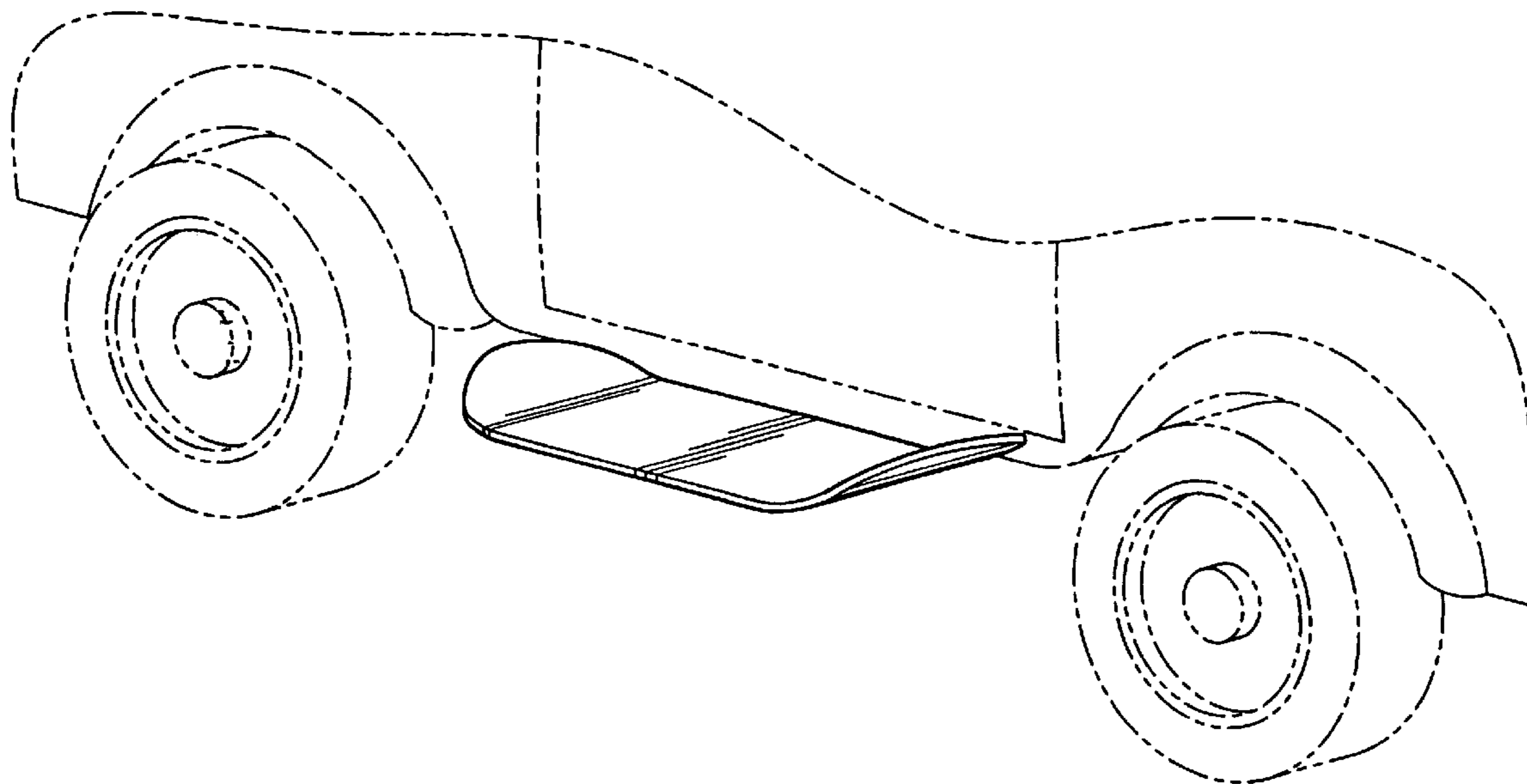
(57) **CLAIM**

The ornamental design for a vehicle running board, as shown and described.

DESCRIPTION

FIG. 1 is a front and left perspective view of a vehicle running board embodying the design;
FIG. 2 is an enlarged top plan view of the vehicle running board shown in FIG. 1 embodying the design;
FIG. 3 is an enlarged bottom plan view of a vehicle running board shown in FIG. 1 embodying the design;
FIG. 4 is an enlarged left side view of a vehicle running board shown in FIG. 1 embodying the design; and,
FIG. 5 is an enlarged front end view of a vehicle running board shown in FIG. 1 embodying the design.
The broken lines are for environmental purposes only and form no part of the claimed design.

1 Claim, 2 Drawing Sheets



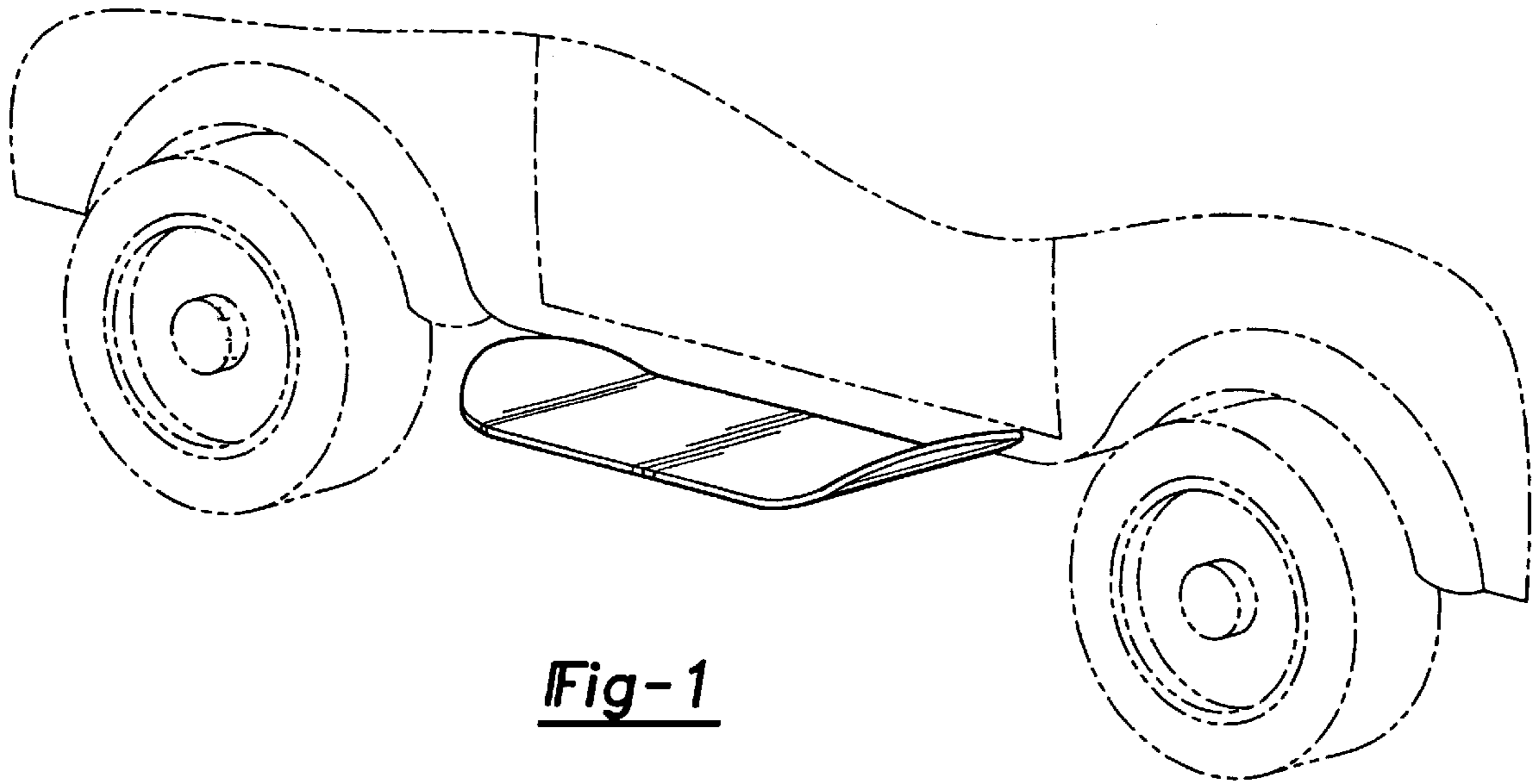


Fig-1

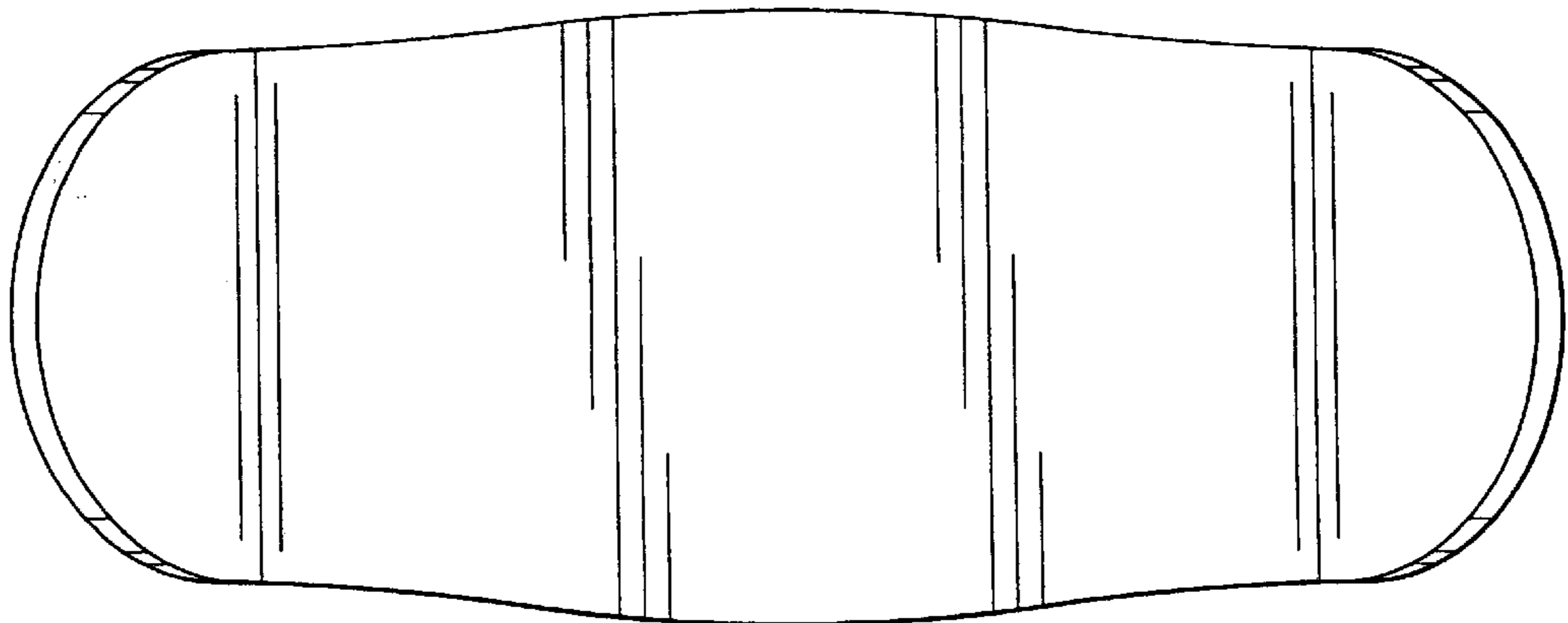


Fig-2

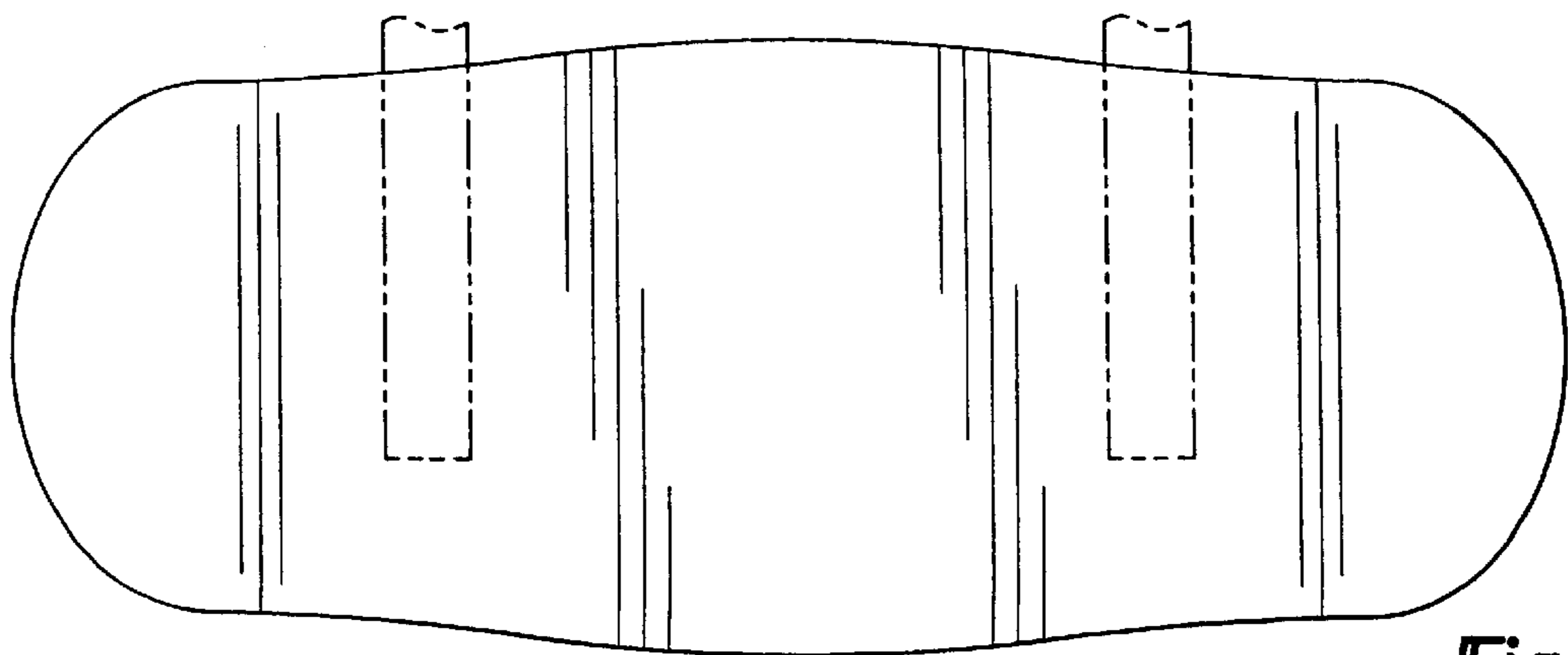


Fig-3

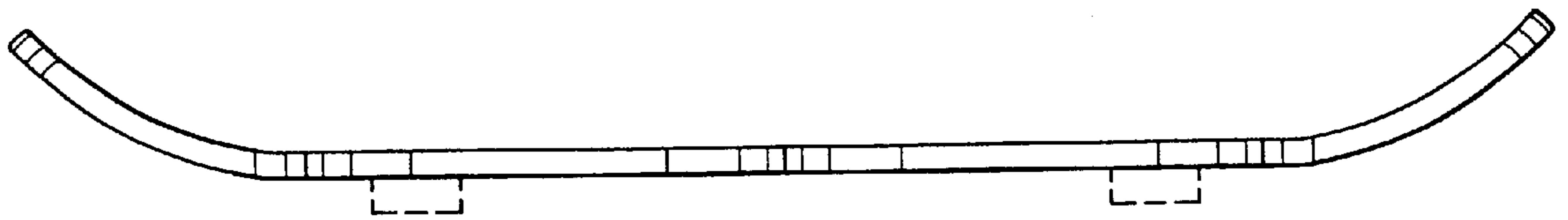


Fig-4

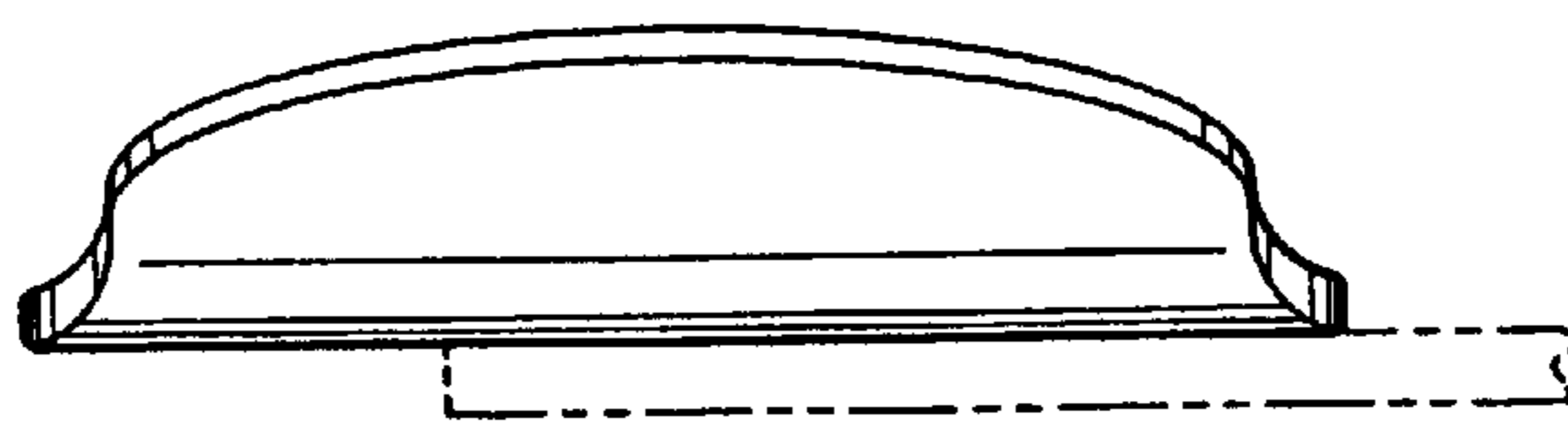


Fig-5