



US00D487706S

(12) **United States Design Patent**
Lau

(10) **Patent No.:** **US D487,706 S**

(45) **Date of Patent:** **** Mar. 23, 2004**

(54) **ELECTRONIC WEIGHING SCALE WITH PAN**

(75) Inventor: **Yiu Tsan Lau**, Kowloon (CN)

(73) Assignee: **Best Household Products Ltd.**,
Kowloon (CN)

(**) Term: **14 Years**

(21) Appl. No.: **29/169,742**

(22) Filed: **Oct. 25, 2002**

(51) **LOC (7) Cl.** **10-04**

(52) **U.S. Cl.** **D10/91**

(58) **Field of Search** D10/91; 177/25.13,
177/25.15, 25.16, 238-245

(56) **References Cited**

U.S. PATENT DOCUMENTS

D458,552 S * 6/2002 Ekelund D10/91

* cited by examiner

Primary Examiner—Antoine Duval Davis

(74) *Attorney, Agent, or Firm*—Alix, Yale & Ristas, LLP

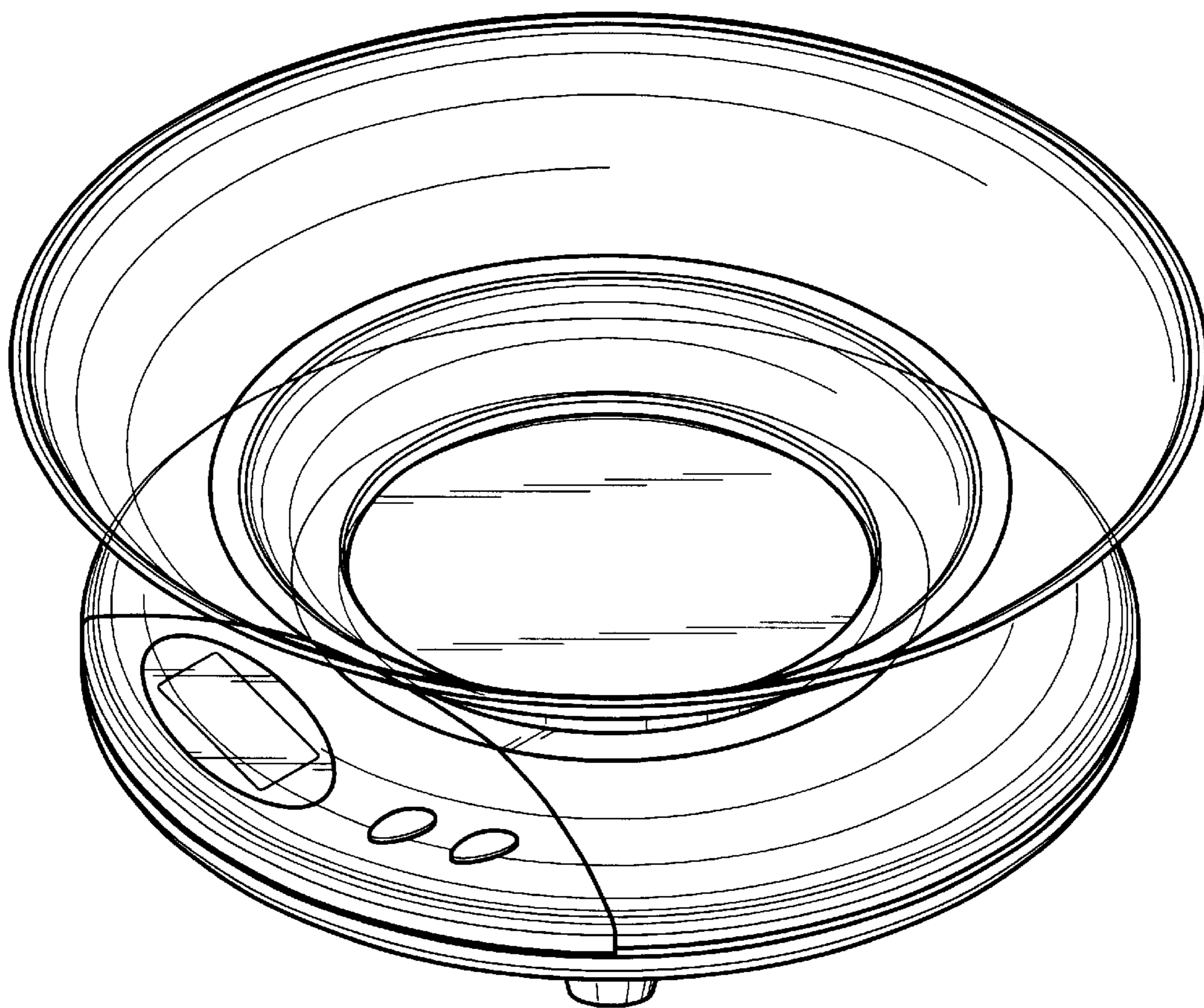
(57) **CLAIM**

The ornamental design for an electronic weighing scale with pan, as shown and described.

DESCRIPTION

FIG. 1 is a front perspective view of the electronic weighing scale with pan showing my new design;
FIG. 2 is a front perspective view of the electronic weighing scale with pan of FIG. 1 with the pan and the scale separated;
FIG. 3 is a front elevational view of the electronic weighing scale with pan of FIG. 1;
FIG. 4 is a rear elevational view of the electronic weighing scale with pan of FIG. 1;
FIG. 5 is a left side elevational view of the electronic weighing scale with pan of FIG. 1;
FIG. 6 is a right side elevational view of the electronic weighing scale with pan of FIG. 1;
FIG. 7 is a top plan view of the electronic weighing scale with pan of FIG. 1; and,
FIG. 8 is a bottom plan view of the electronic weighing scale with pan of FIG. 1.

1 Claim, 6 Drawing Sheets



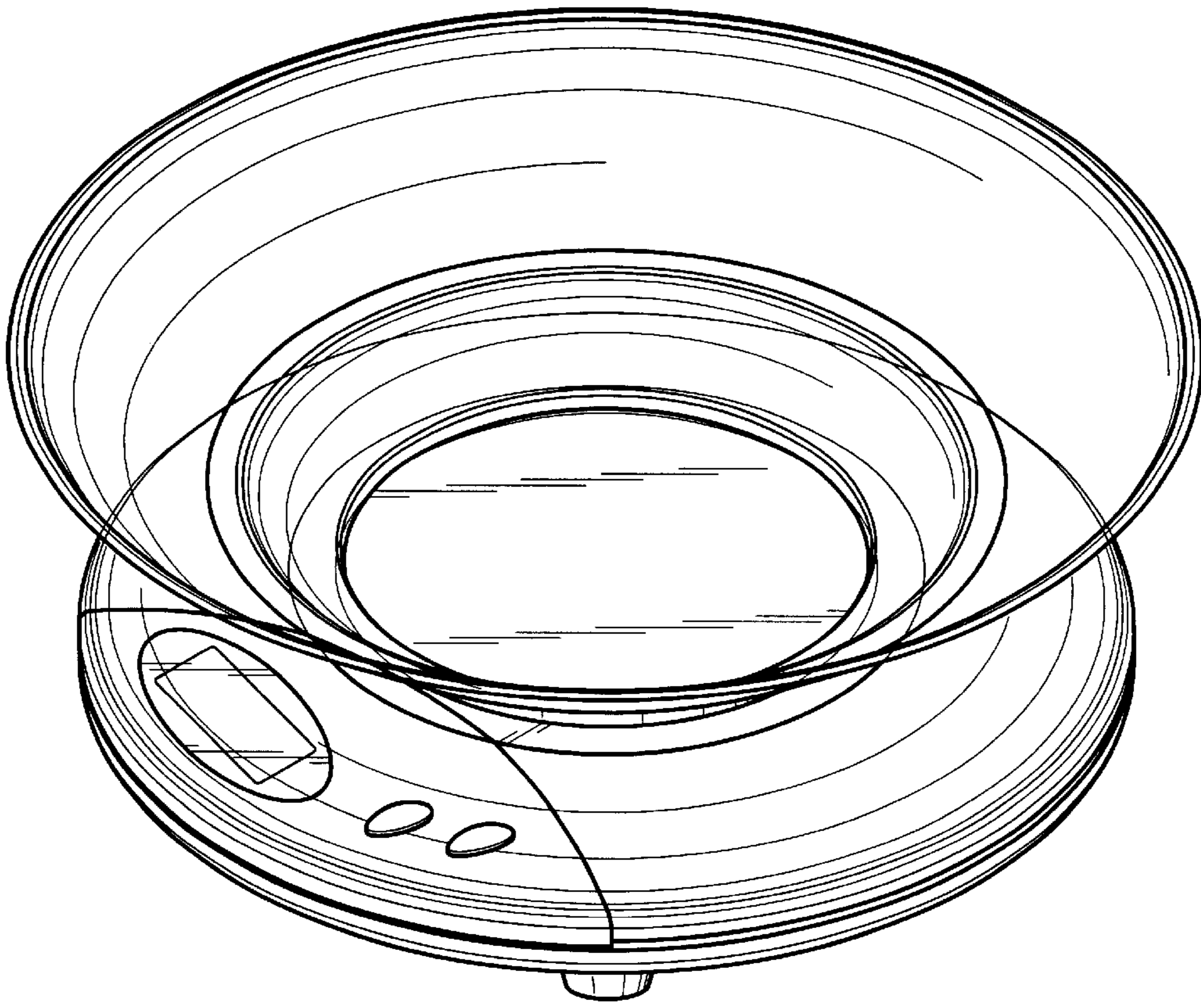


FIG. 1

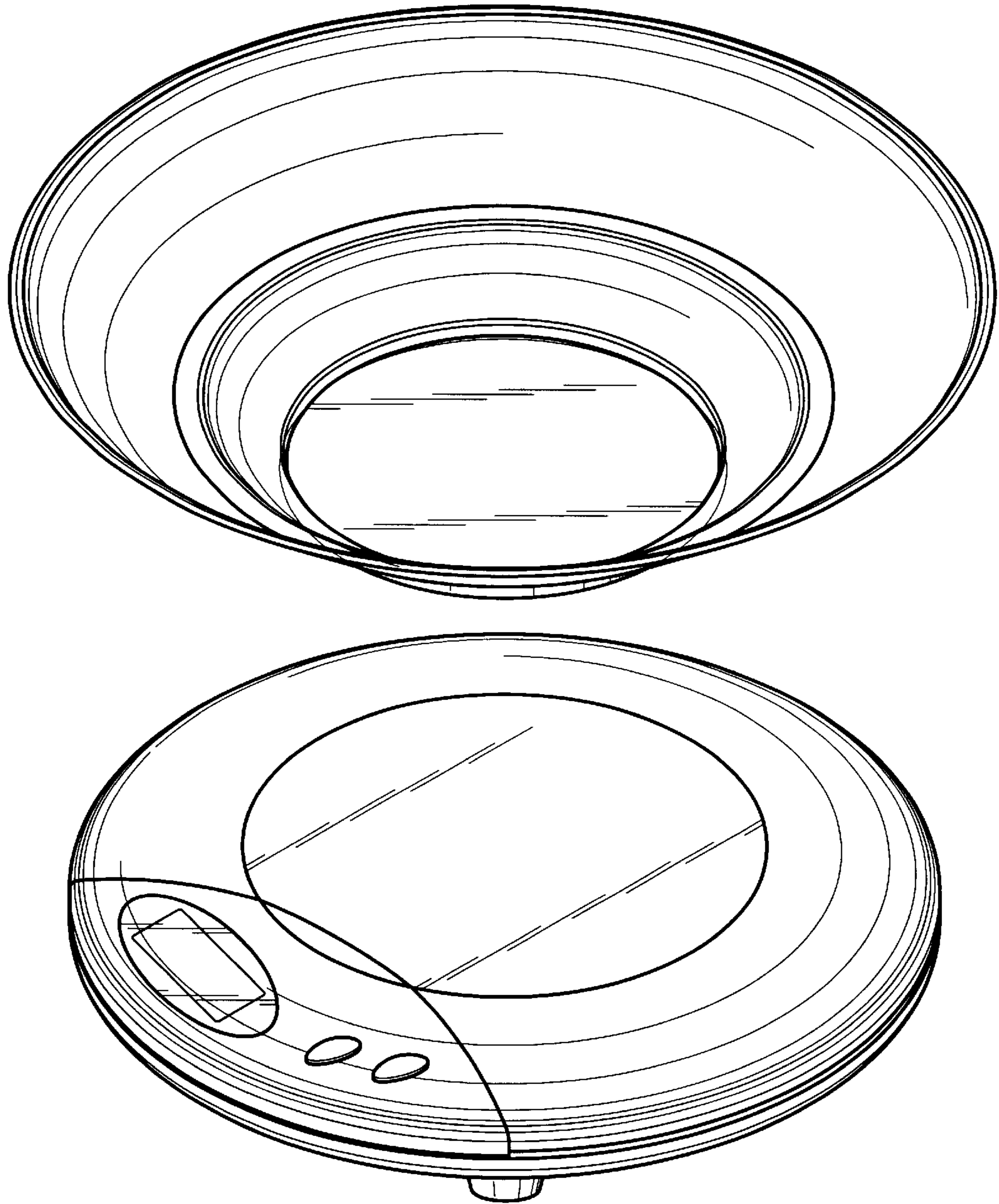


FIG. 2

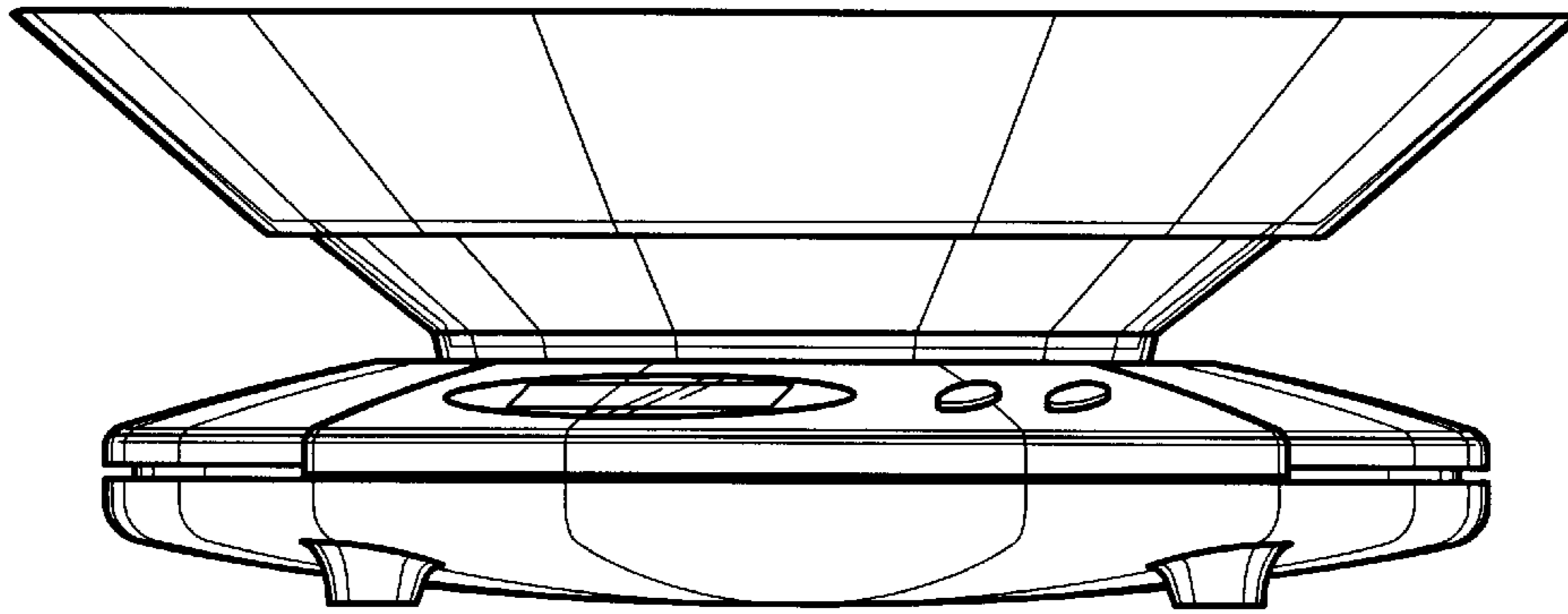


FIG. 3

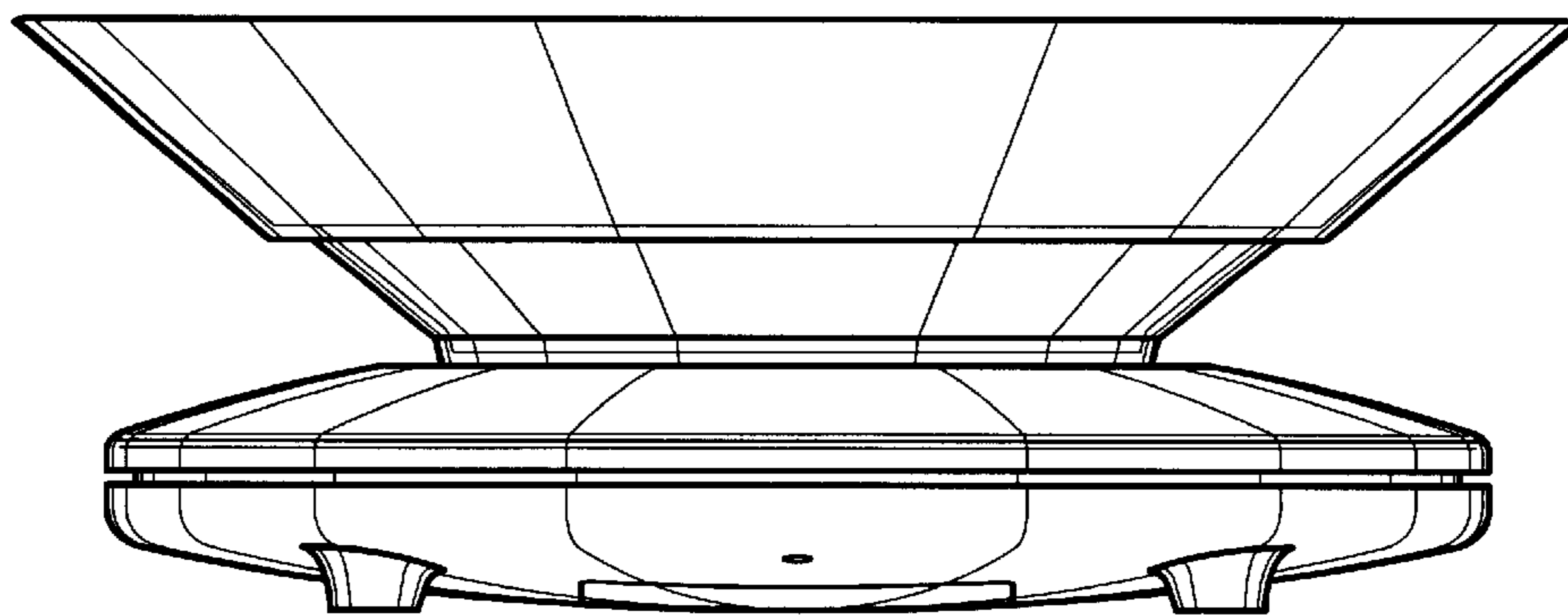


FIG. 4

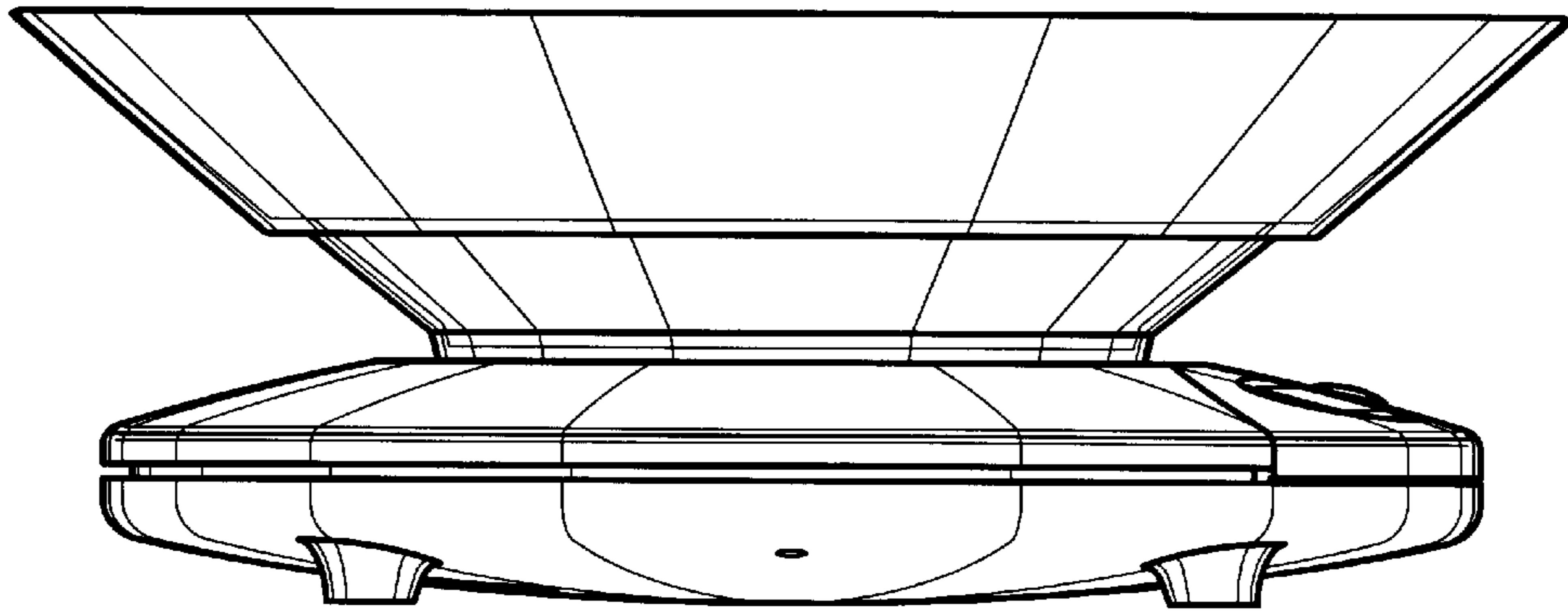


FIG. 5

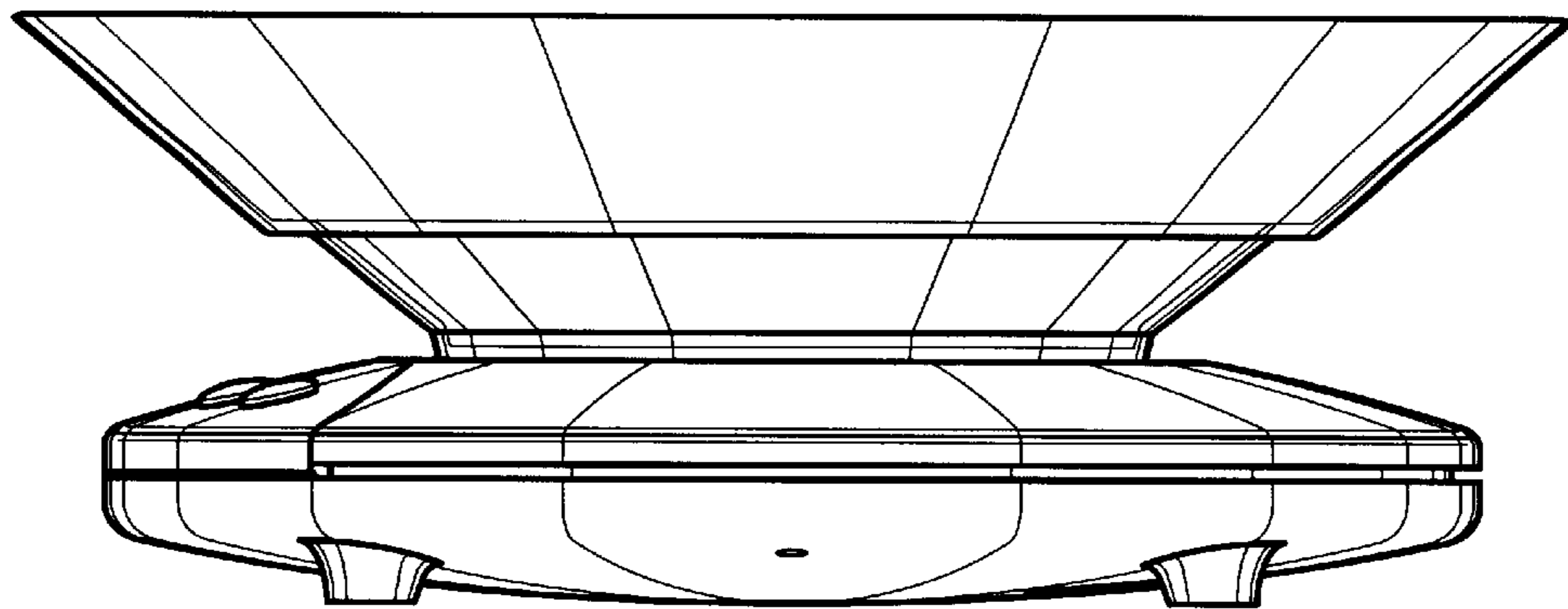


FIG. 6

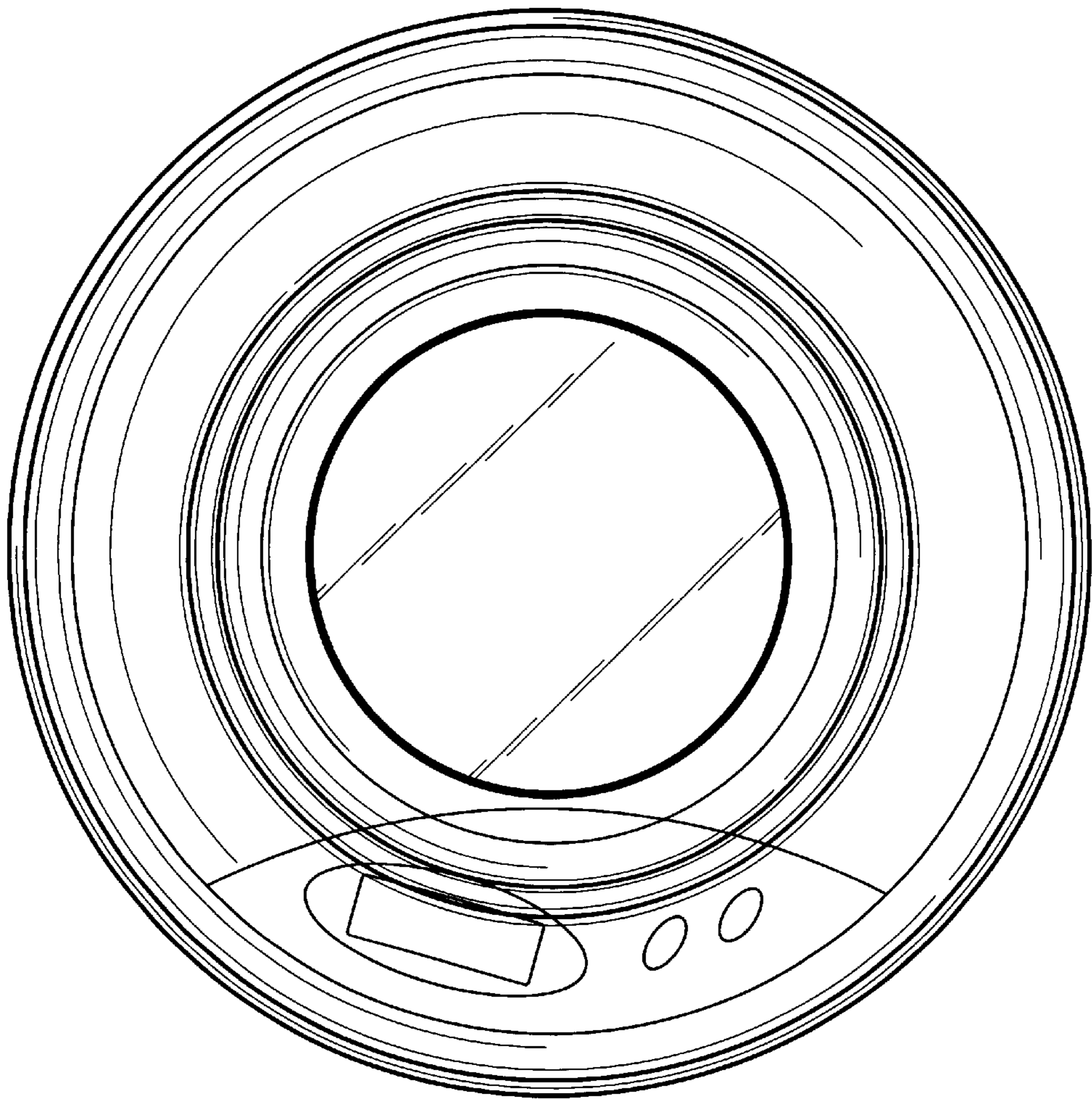


FIG. 7

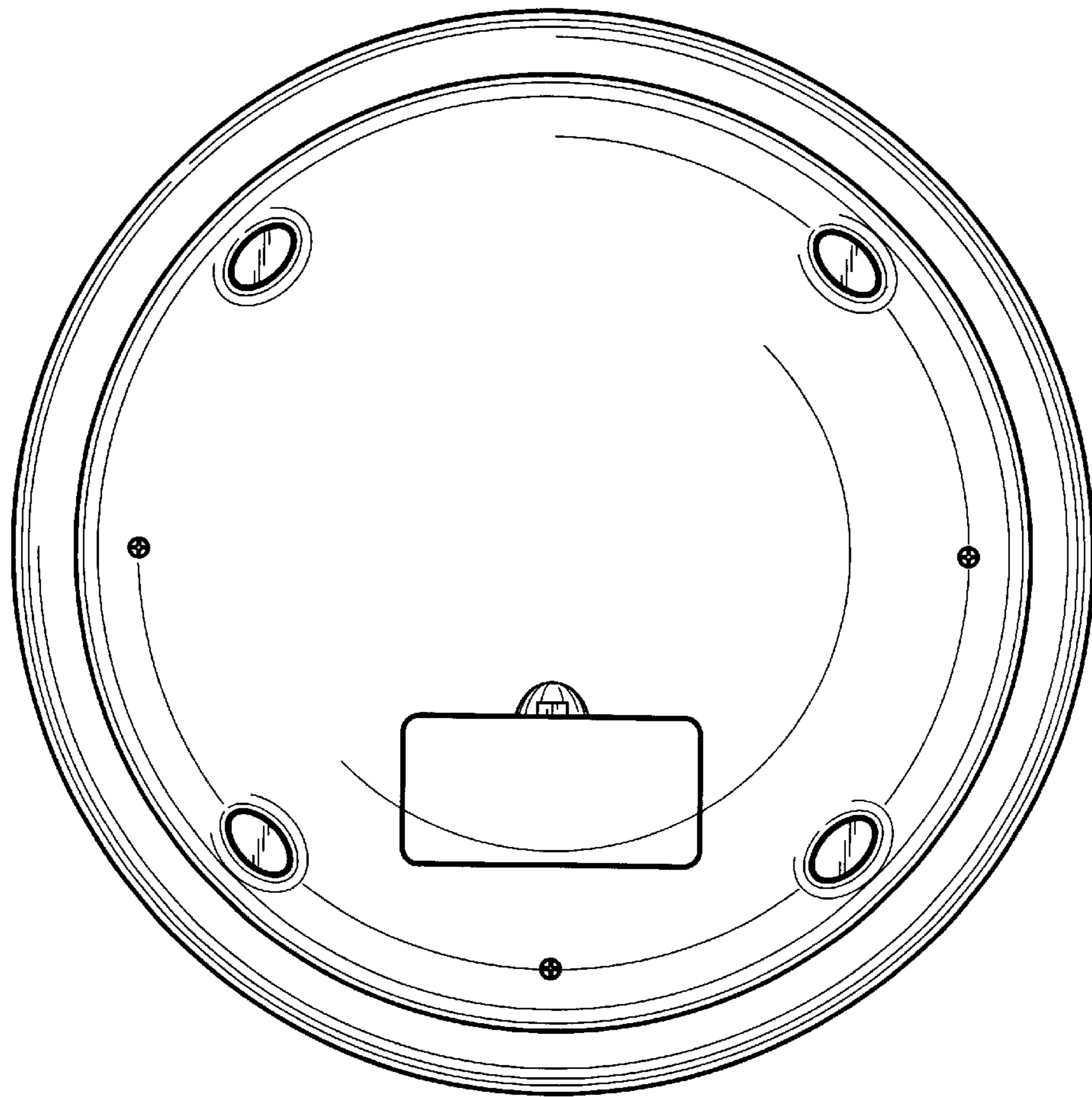


FIG. 8