



US00D487693S

(12) **United States Design Patent**
Moen

(10) **Patent No.:** **US D487,693 S**

(45) **Date of Patent:** **** Mar. 23, 2004**

(54) **WALL HANGING SIGN BRACKET**

(75) **Inventor:** **Allen Moen**, Minneapolis, MN (US)

(73) **Assignee:** **Allied Plastics, Inc.**, Minneapolis, MN (US)

(**) **Term:** **14 Years**

(21) **Appl. No.:** **29/179,002**

(22) **Filed:** **Apr. 3, 2003**

(51) **LOC (7) Cl.** **08-05**

(52) **U.S. Cl.** **D8/363**

(58) **Field of Search** D6/524, 546, 549, D6/553, 512; D8/349, 354, 363, 373, 376, 380, 366; D20/42, 43, 44; 211/16, 32, 35, 70.1, 70.7, 100, 105.1, 123; 248/205.1, 205.4, 210, 214, 247, 251, 261, 262, 266, 300, 309.1, 317, 252, 253, 254, 255

(56) **References Cited**

U.S. PATENT DOCUMENTS

- 1,120,935 A * 12/1914 Hammers 248/253
- 2,462,321 A * 2/1949 Holmes 211/123
- D168,074 S * 10/1952 Symington D8/354
- D236,659 S * 9/1975 Taub D20/42

- 4,049,226 A * 9/1977 Harvey 248/248
- 4,914,844 A * 4/1990 Seery 40/584
- 6,144,562 A * 11/2000 Voelzke et al. 361/825

* cited by examiner

Primary Examiner—Doris V. Coles

Assistant Examiner—Elizabeth A. Albert

(74) *Attorney, Agent, or Firm*—Merchant & Gould P.C.

(57) **CLAIM**

The ornamental design for a wall hanging sign bracket, as shown and described.

DESCRIPTION

FIG. 1 is a front and bottom right perspective view of the invention on a reduced scale,

FIG. 2 is a back elevation view of the wall hanging sign bracket of FIG. 1.

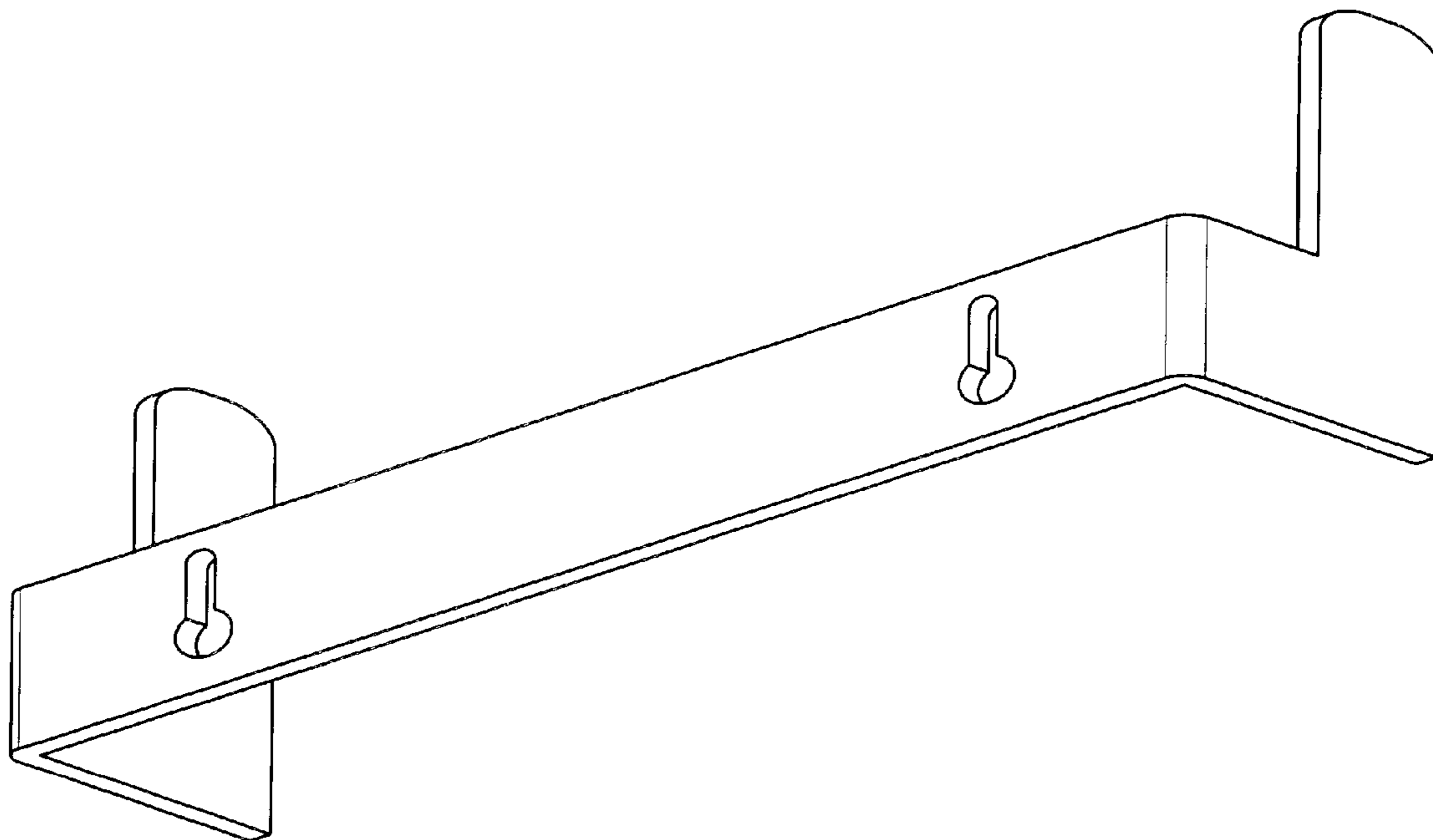
FIG. 3 is a front elevation view of the wall hanging sign bracket of FIG. 1.

FIG. 4 is a left side elevation view of the wall hanging sign bracket of FIG. 1.

FIG. 5 is a top plan view of the wall hanging sign bracket of FIG. 1; and,

FIG. 6 is a bottom plan view of the wall hanging sign bracket of FIG. 1.

1 Claim, 3 Drawing Sheets



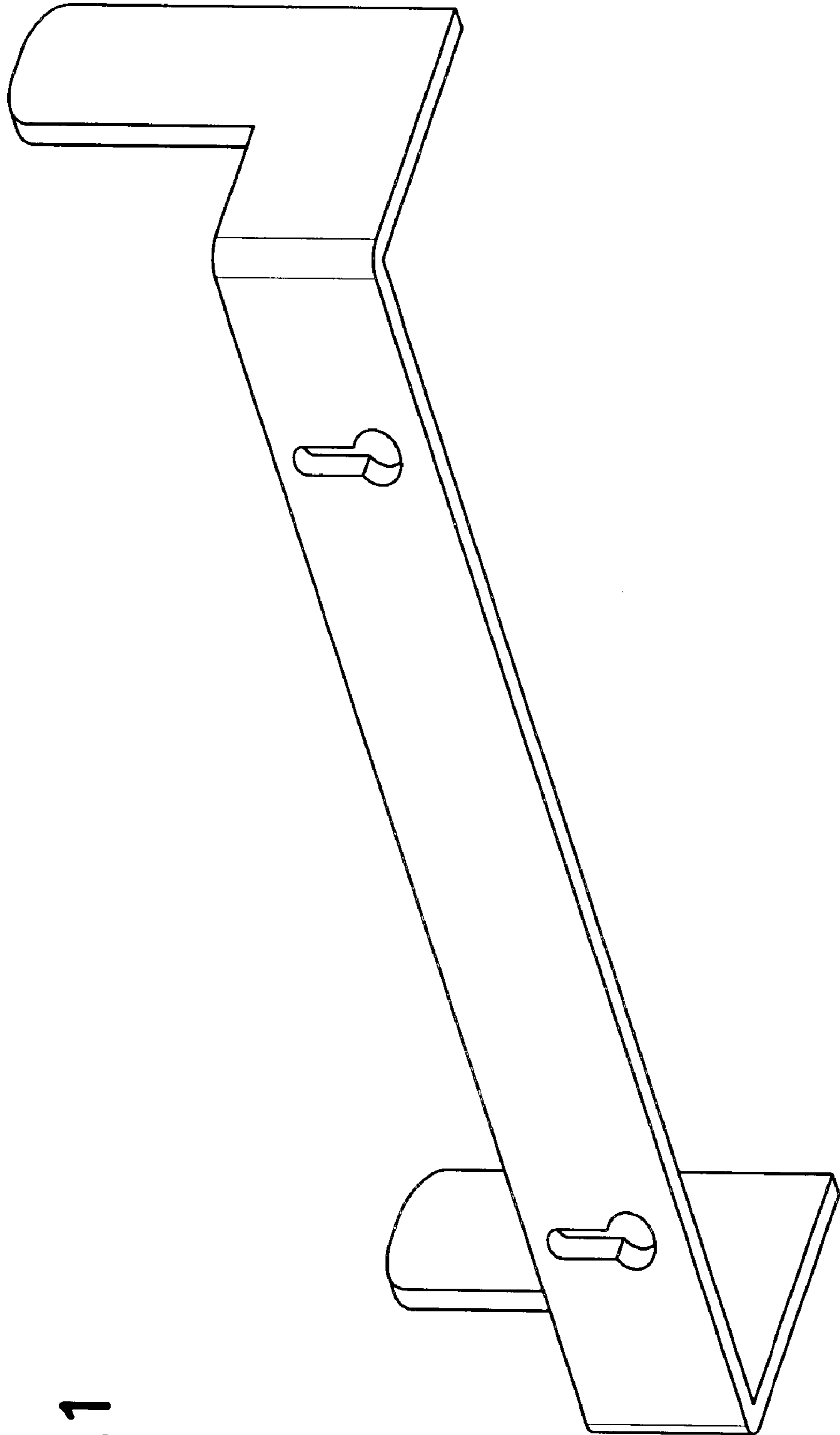


FIG. 1

FIG.2

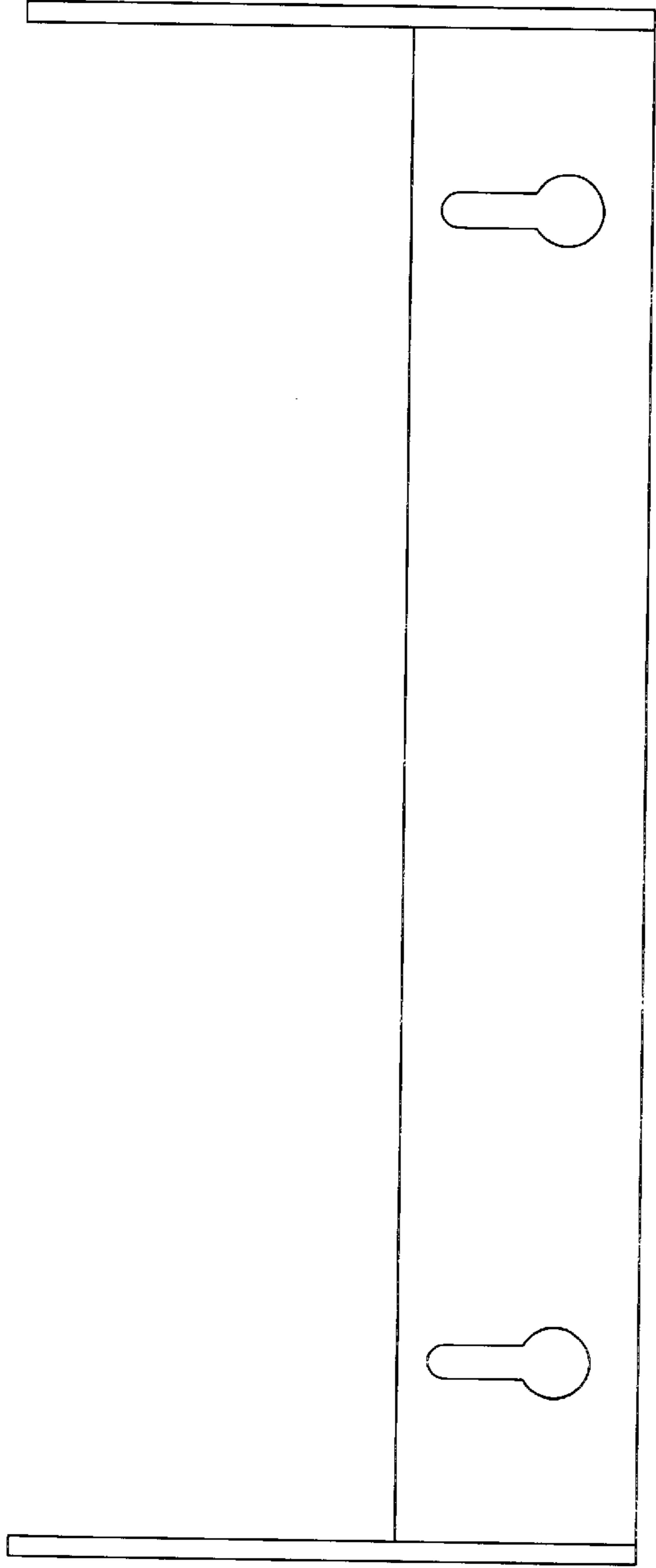


FIG.3

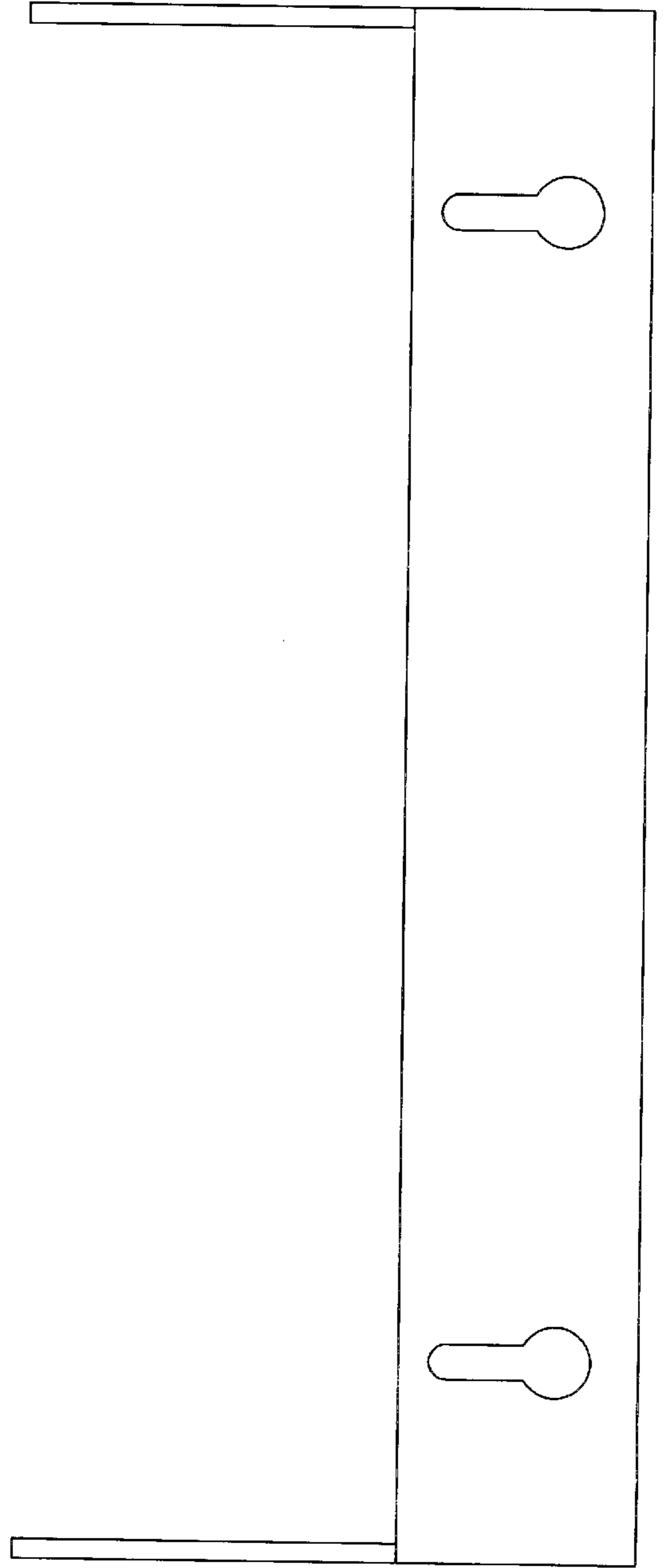


FIG.4

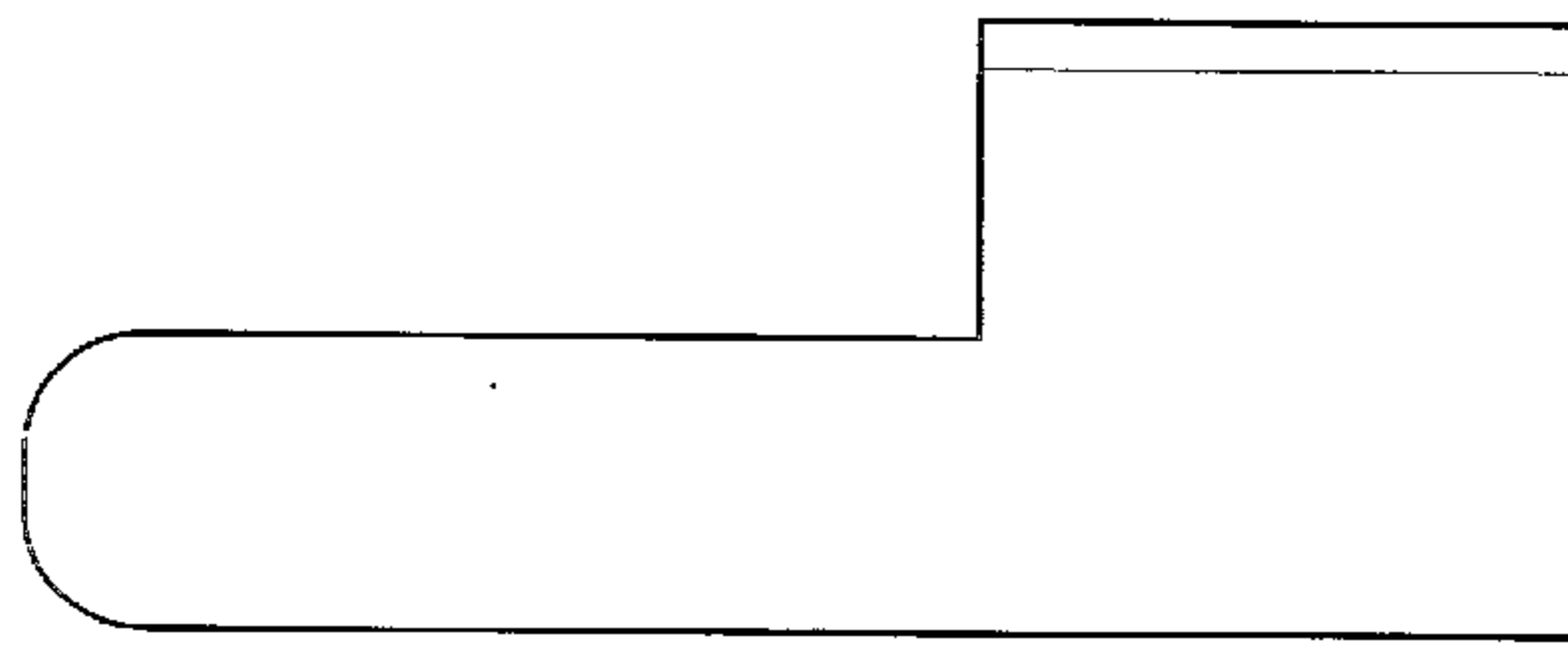


FIG.5

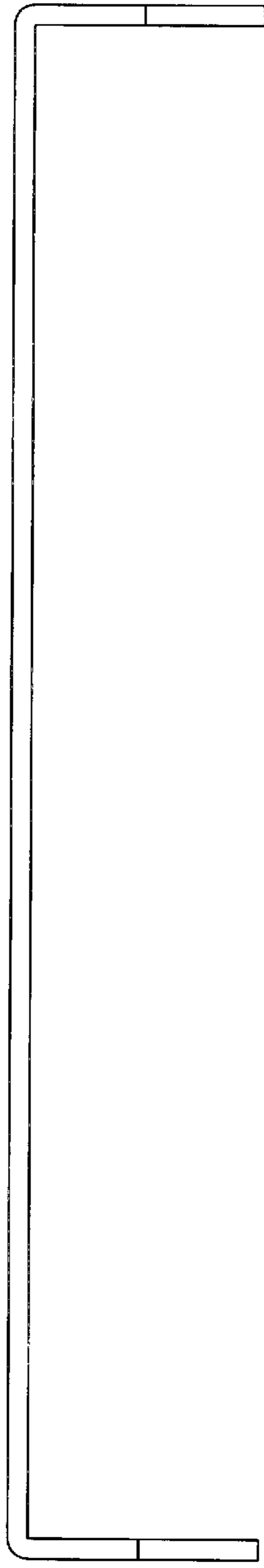


FIG.6

