



US00D487692S

(12) **United States Design Patent**
Cronk et al.

(10) **Patent No.:** **US D487,692 S**

(45) **Date of Patent:** **** Mar. 23, 2004**

(54) **TABLET ARM SUPPORT**

D292,264 S * 10/1987 Staufenberg et al. D8/363
5,683,136 A * 11/1997 Baumann et al. 297/162
D406,195 S * 3/1999 Gamberini D6/341

(75) Inventors: **Jeffrey P. Cronk**, Tulsa, OK (US);
Joseph D. Keitel, Muscatine, IA (US);
James M. Groulx, Muscatine, IA (US);
Randall E. Green, Sr., Muscatine, IA (US)

* cited by examiner

(73) Assignee: **HON Technology Inc.**, Muscatine, IA (US)

Primary Examiner—Robert M. Spear
Assistant Examiner—Elizabeth Albert
(74) *Attorney, Agent, or Firm*—Jones Day

(**) Term: **14 Years**

(57) **CLAIM**

(21) Appl. No.: **29/159,338**

The ornamental design for a tablet arm support, as shown and described.

(22) Filed: **Apr. 18, 2002**

DESCRIPTION

(51) **LOC (7) Cl.** **08-05**

(52) **U.S. Cl.** **D8/363**

(58) **Field of Search** D6/338, 341; D8/349,
D8/354, 355, 363, 373, 380, 376; 108/99;
248/118.3, 118.5, 218.4, 227.3, 921, 200;
297/160, 161, 162, 171, 172, 173, 188.18,
188.21

FIG. 1 is a rear isometric view of a tablet arm support showing the new design;

FIG. 2 is a front elevation view thereof;

FIG. 3 is a side elevation view, the opposite side elevation view being a mirror image thereof;

FIG. 4 is a rear elevation view thereof; and,

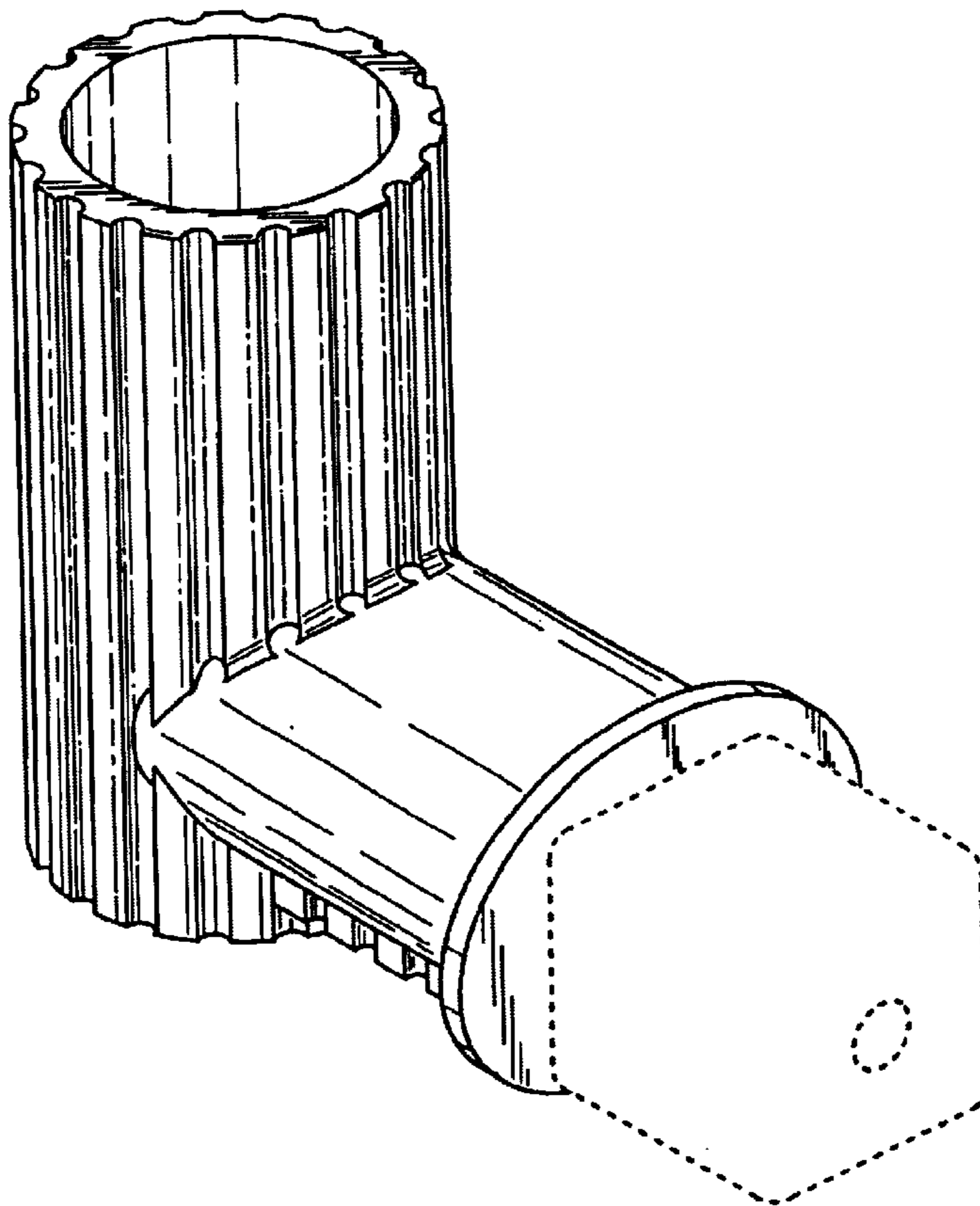
FIG. 5 is a top plan view thereof.

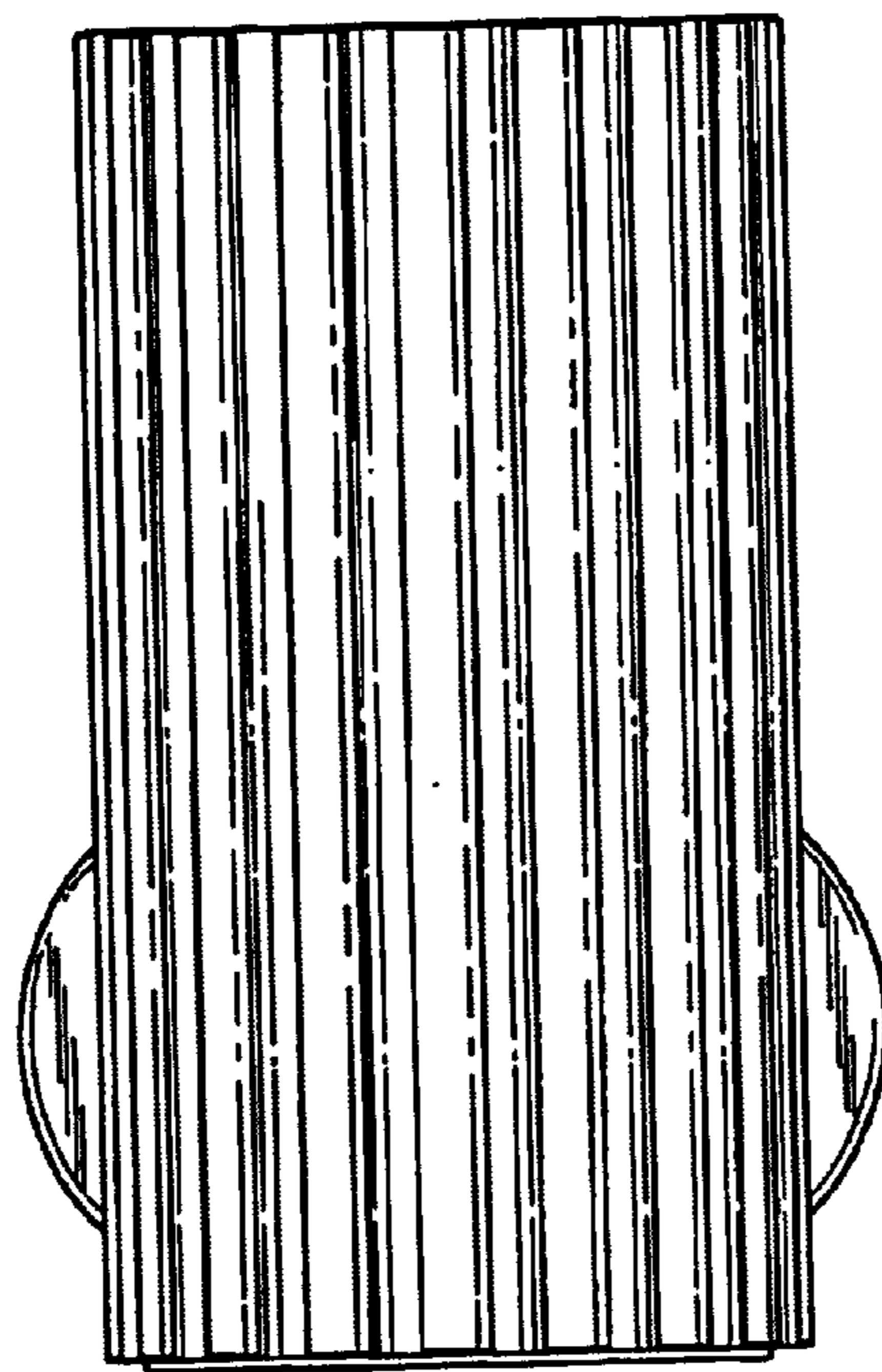
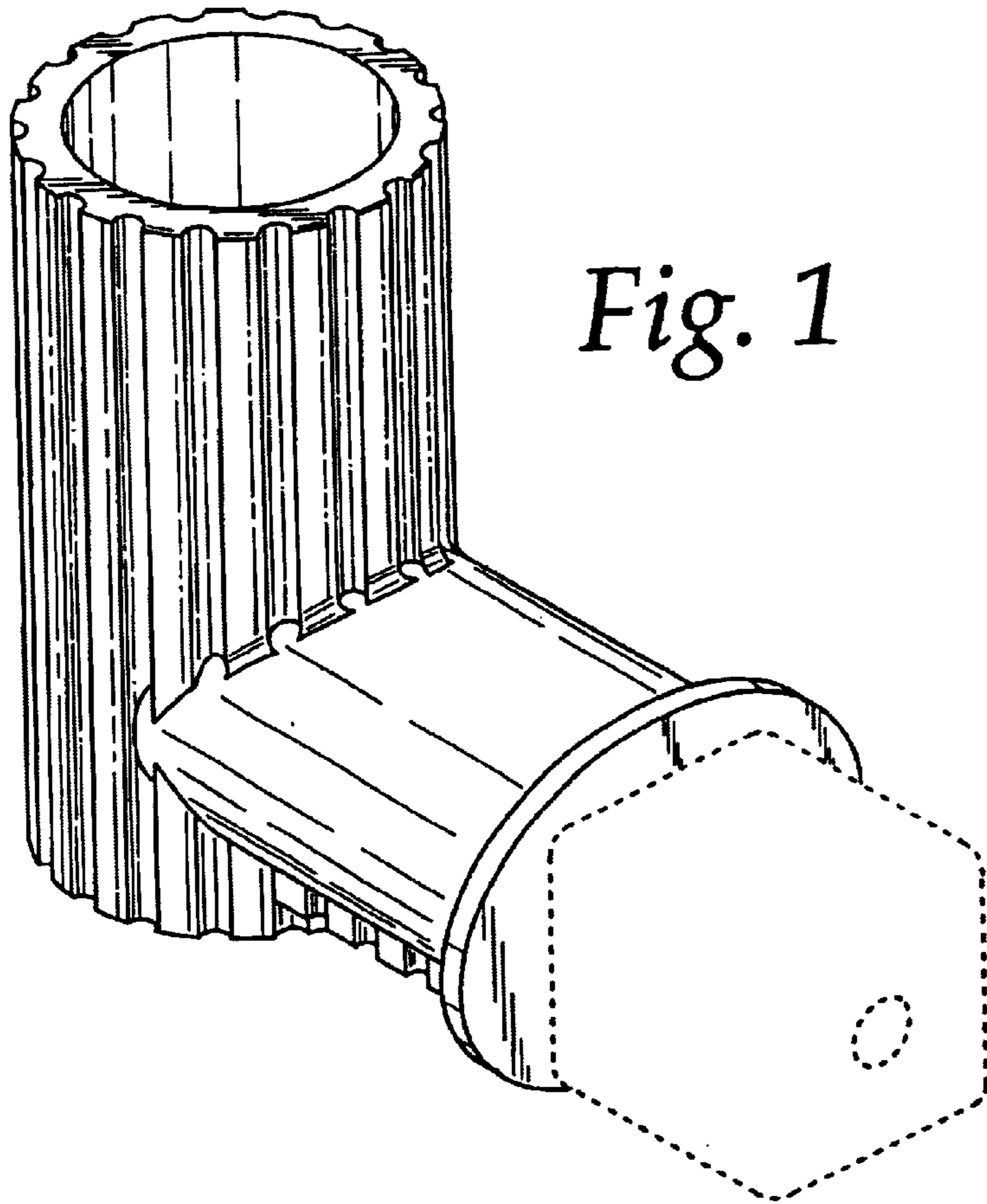
(56) **References Cited**

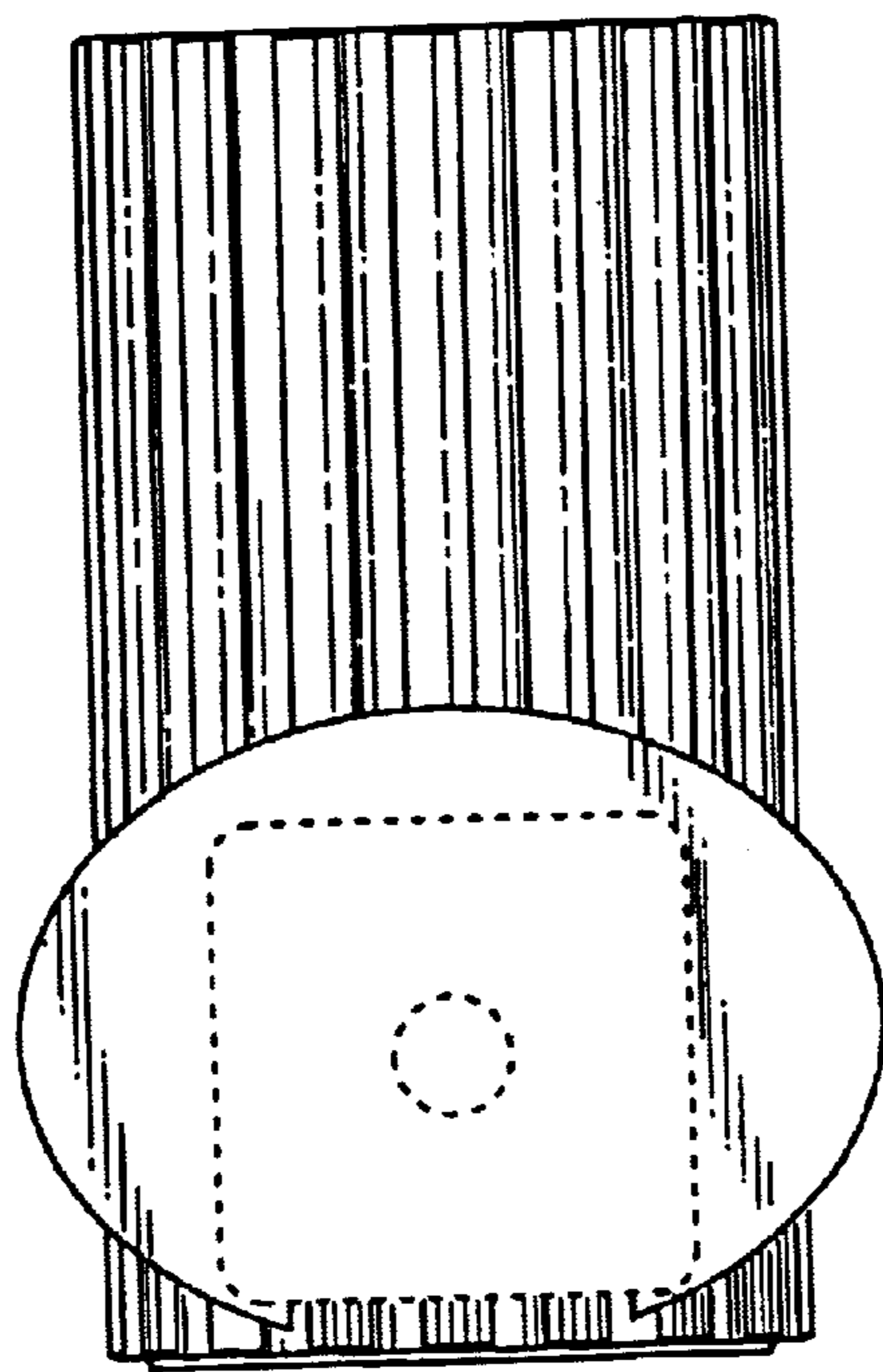
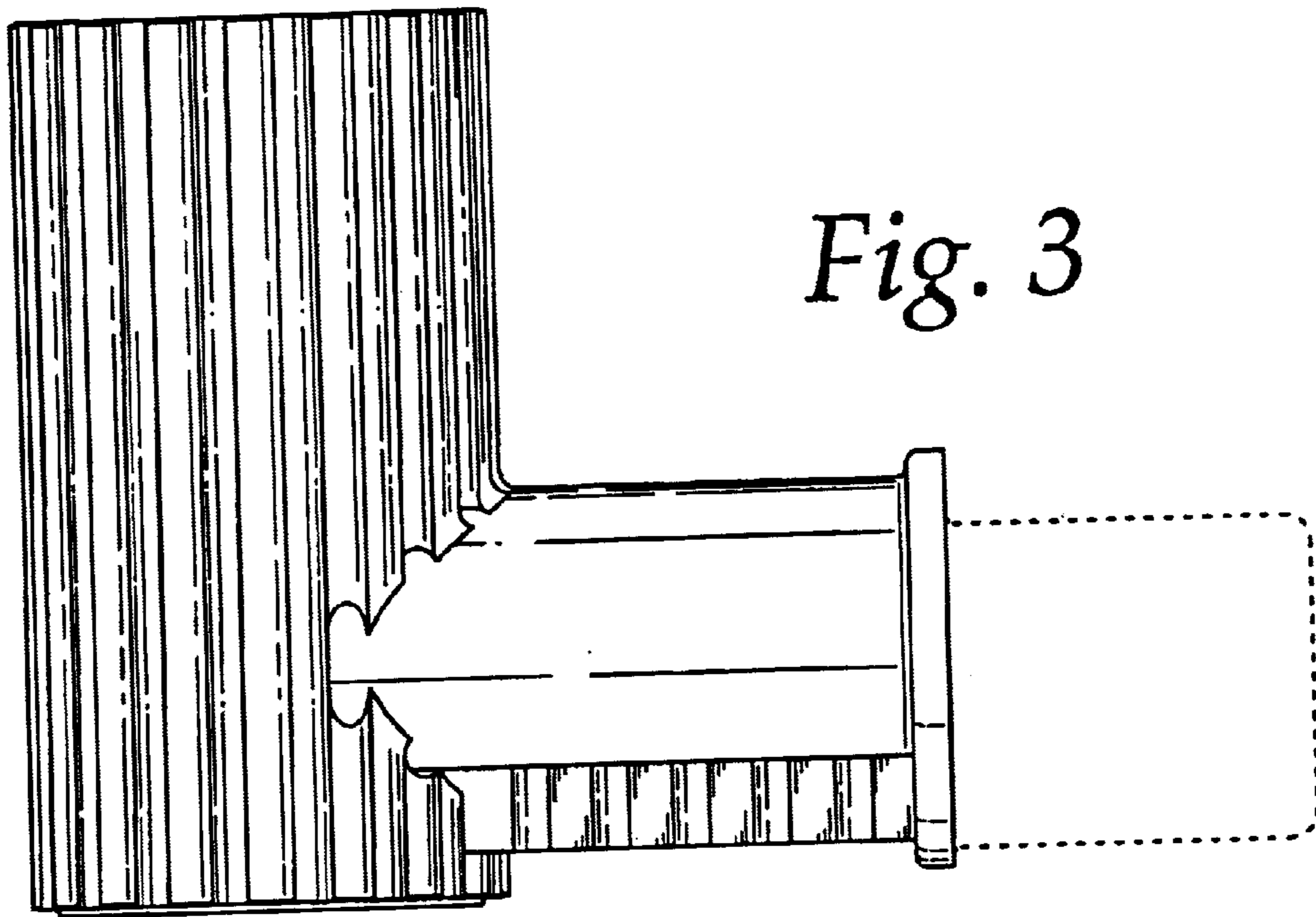
U.S. PATENT DOCUMENTS

D22,271 S * 3/1893 Ruxton D8/376

1 Claim, 3 Drawing Sheets







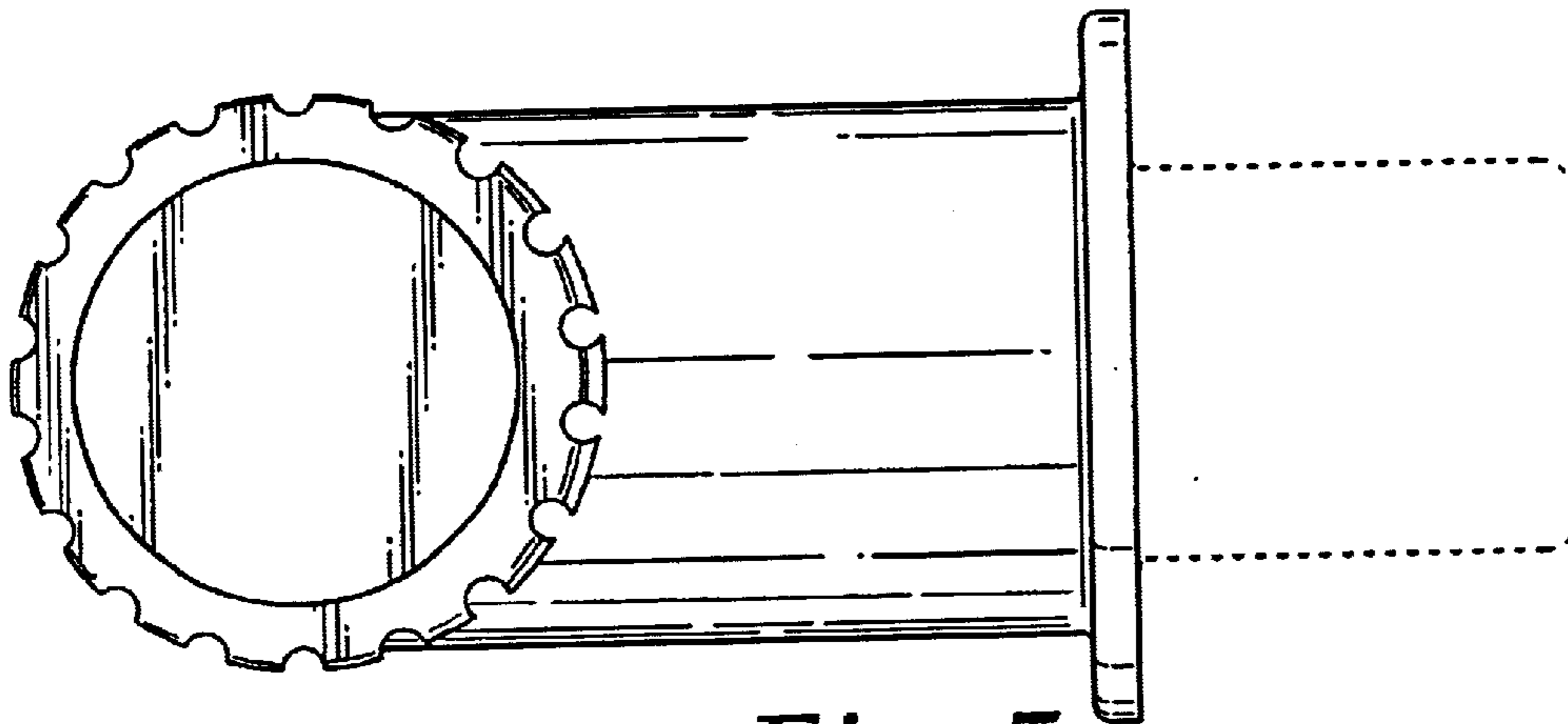


Fig. 5