



US00D487688S

(12) **United States Design Patent**
Brass et al.

(10) **Patent No.:** **US D487,688 S**
(45) **Date of Patent:** **** Mar. 23, 2004**

(54) **SPRING CLAMP**

6,336,386 B1 * 1/2002 Lee 81/328
D457,409 S * 5/2002 Noniewicz D8/72

(76) Inventors: **Robert L. Brass**, 45 Calhoun St.,
Washington, CT (US) 06794; **Steven W.**
Lewis, 120 Washington Ave.,
Woodbury, CT (US) 06798

* cited by examiner

Primary Examiner—Louis S. Zarfes
Assistant Examiner—Gregory Andoll
(74) *Attorney, Agent, or Firm*—Ira S. Dorman

(**) Term: **14 Years**

(57) **CLAIM**

(21) Appl. No.: **29/179,560**

The ornamental design for a spring clamp, as shown.

(22) Filed: **Apr. 10, 2003**

DESCRIPTION

(51) **LOC (7) Cl.** **08-05**

(52) **U.S. Cl.** **D8/72**

(58) **Field of Search** D8/72, 394–396;
24/500, 507–510; D32/64, 61; 362/396;
269/6; 81/328, 314, 423

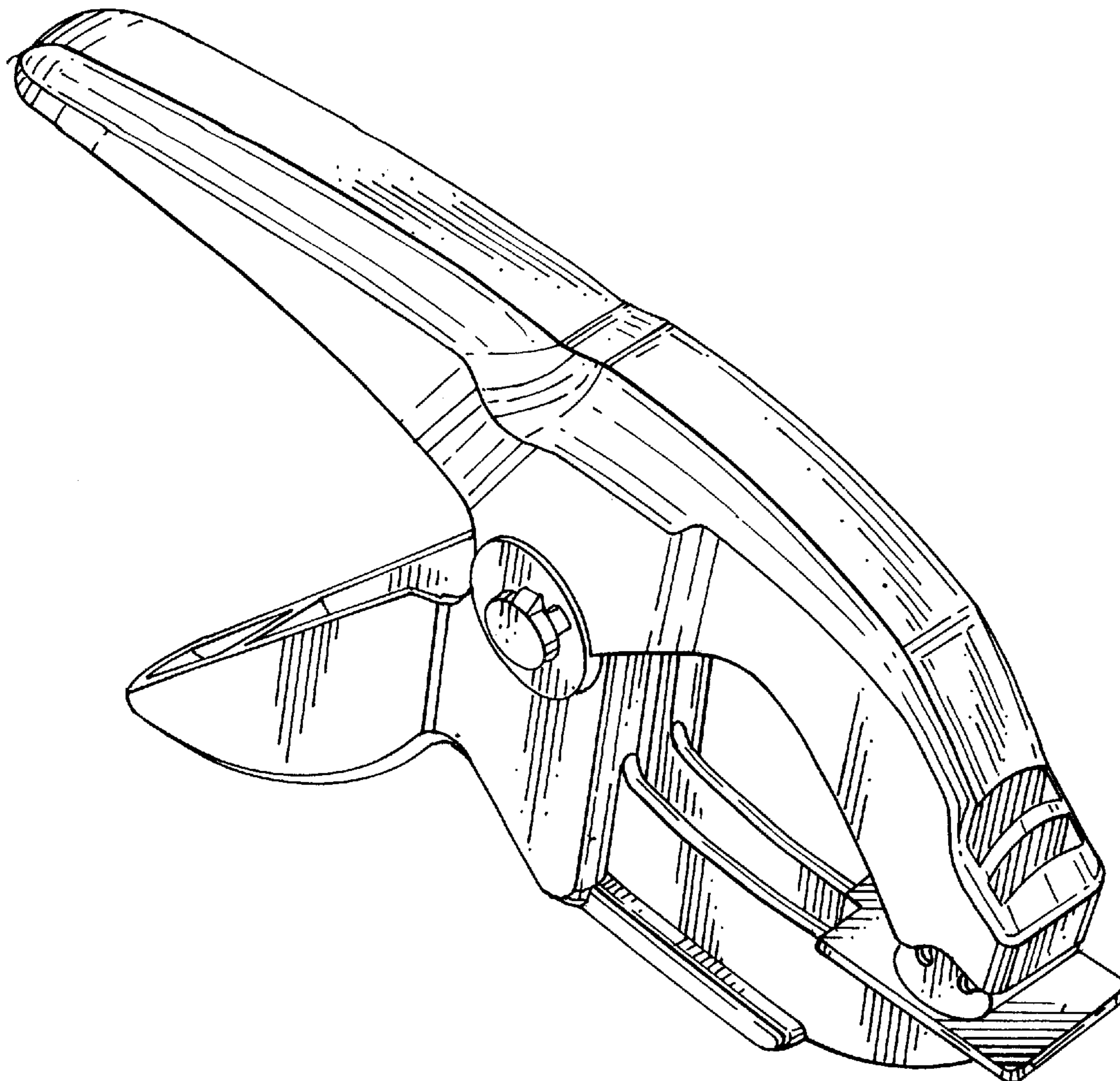
FIG. 1 is a perspective view of the spring clamp of the invention;
FIG. 2 is a side elevational view of the spring clamp, the opposite side elevational view being a mirror image thereof;
FIG. 3 is a top plan view of the spring clamp;
FIG. 4 is a bottom view of the spring clamp;
FIG. 5 is a front view of the spring clamp; and,
FIG. 6 is a rear view of the spring clamp.

(56) **References Cited**

U.S. PATENT DOCUMENTS

D350,892 S * 9/1994 Sorensen D8/395
D399,729 S * 10/1998 Chen D8/395

1 Claim, 2 Drawing Sheets



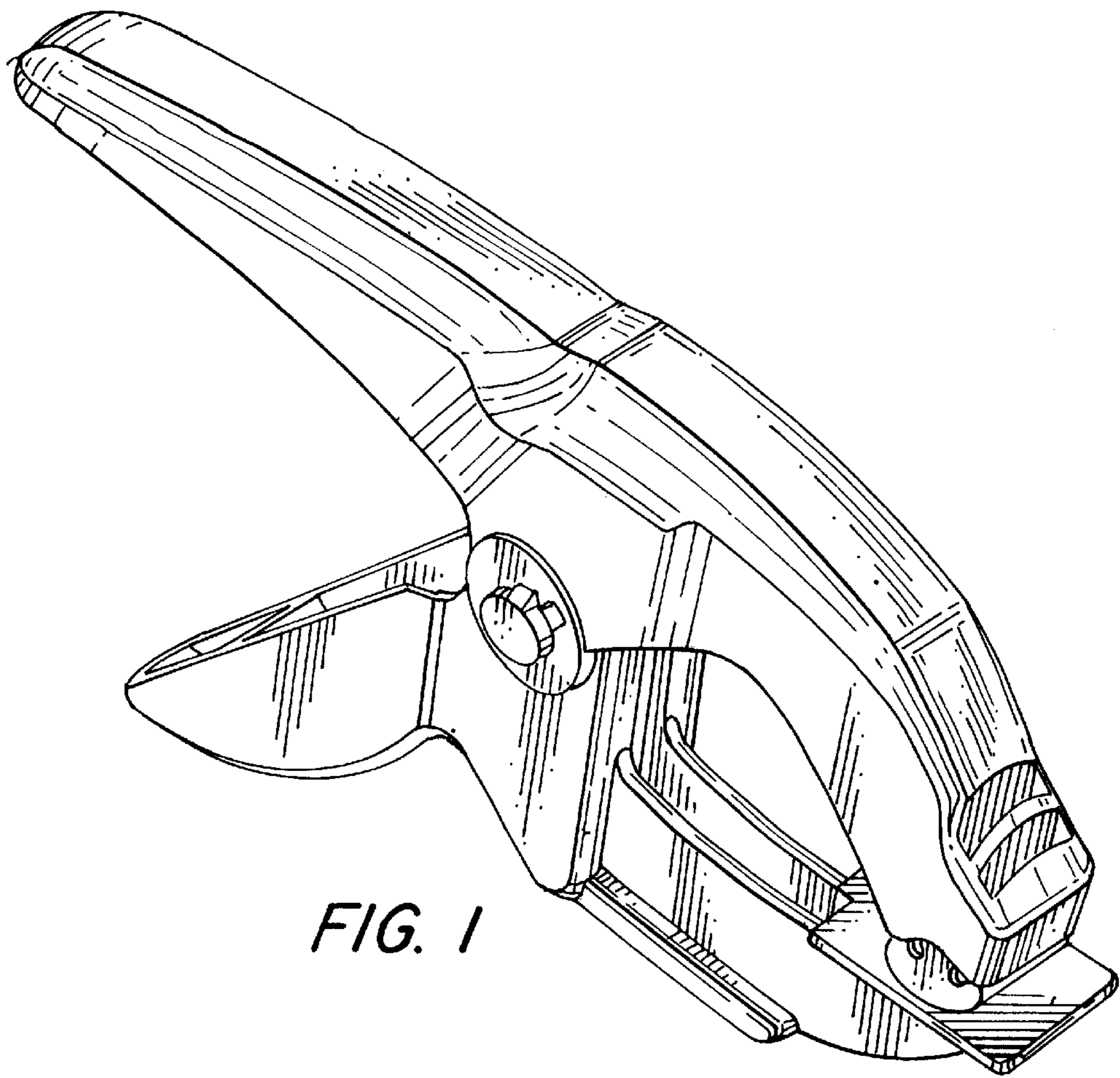


FIG. 1

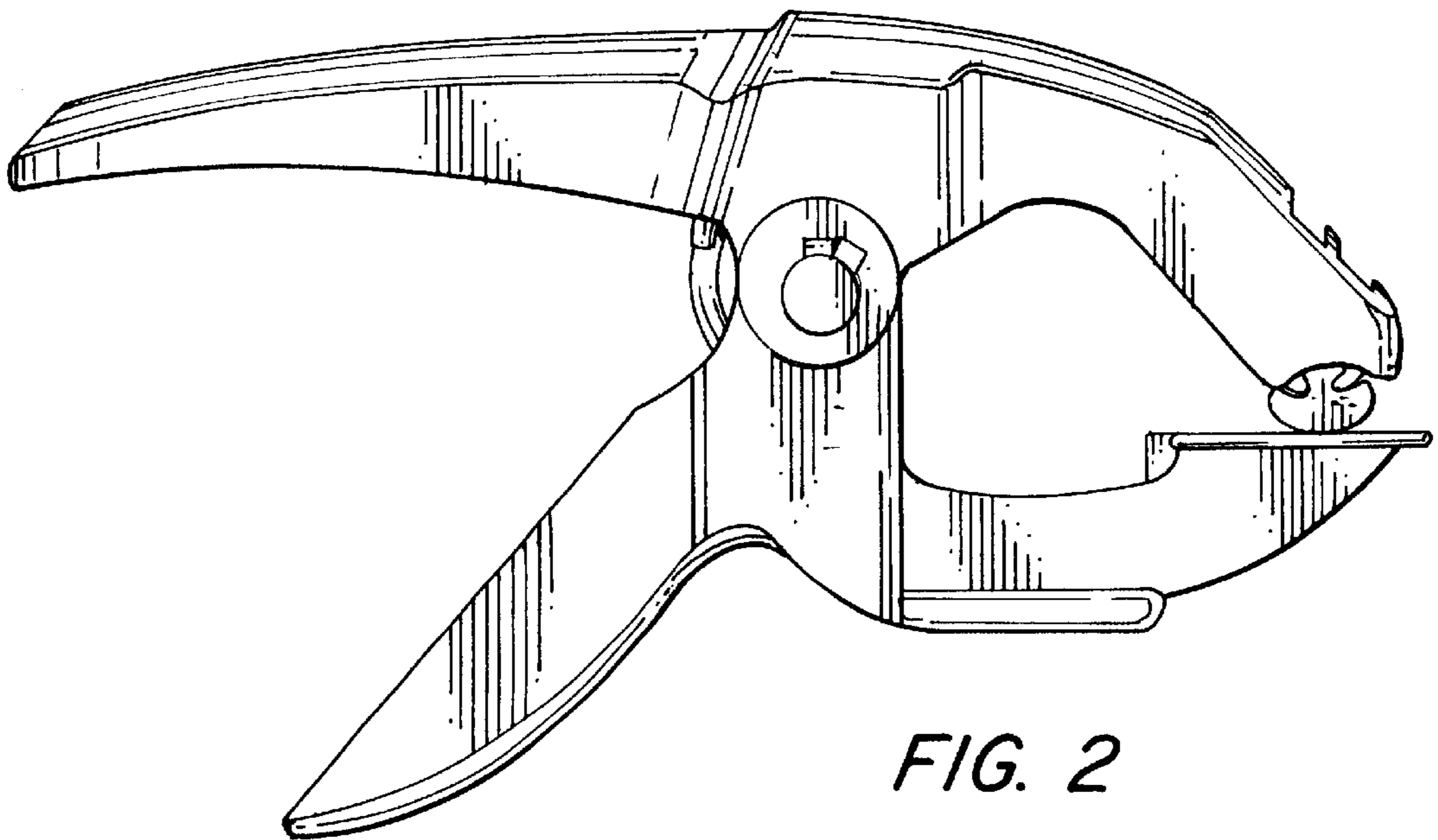


FIG. 2

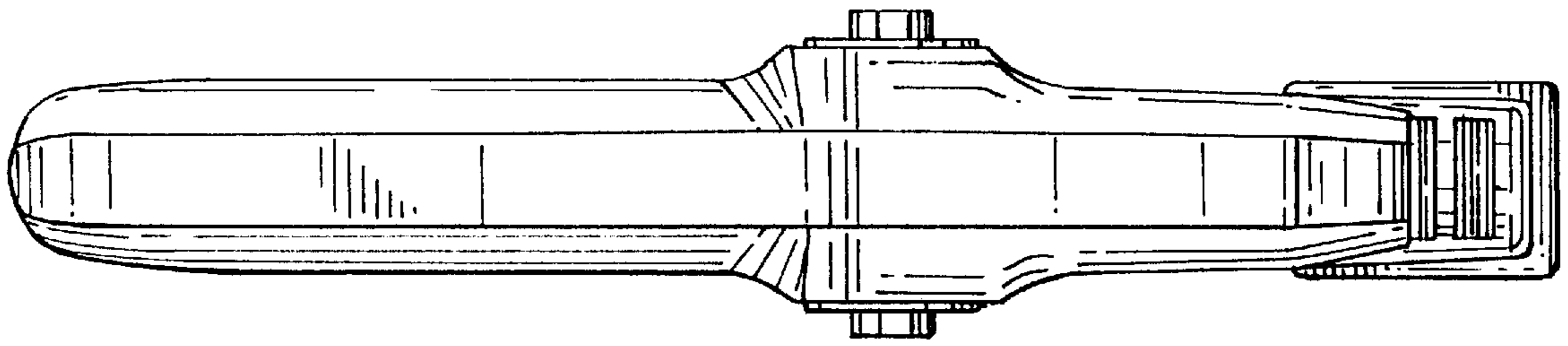


FIG. 3

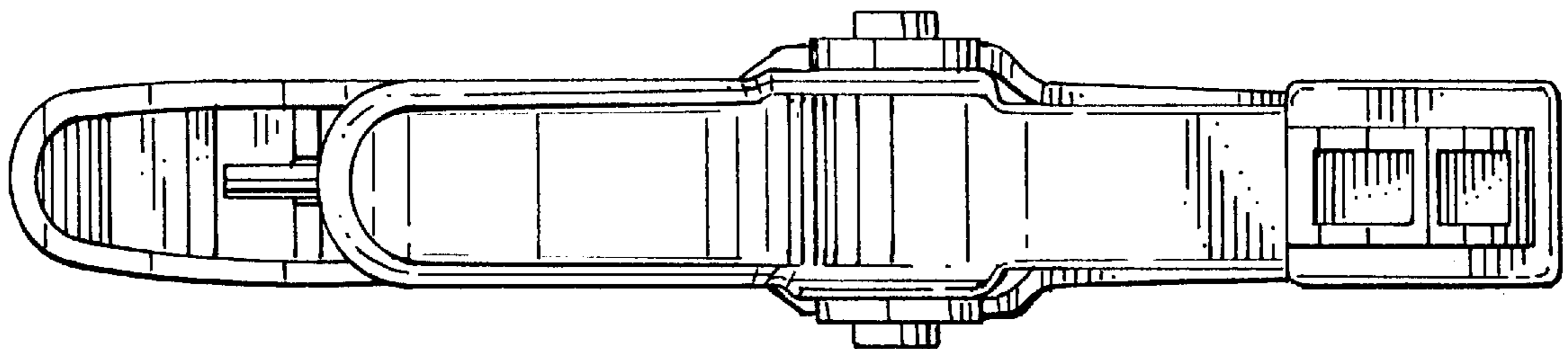


FIG. 4

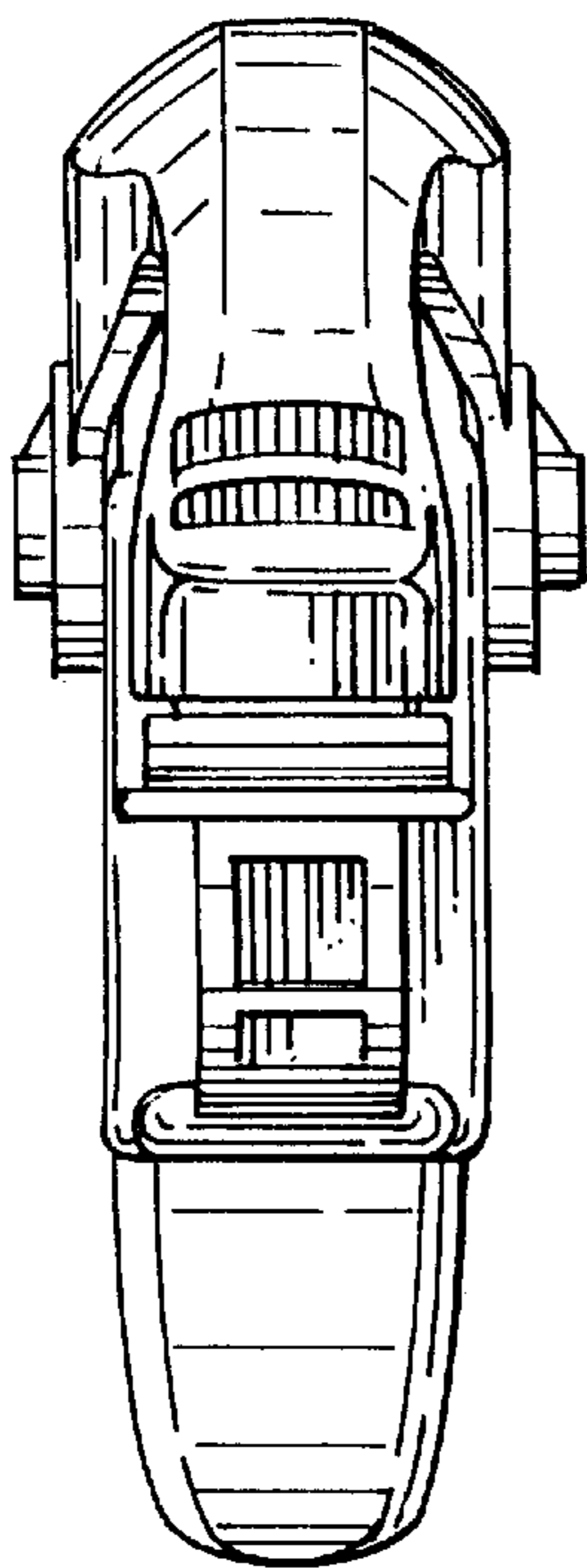


FIG. 5

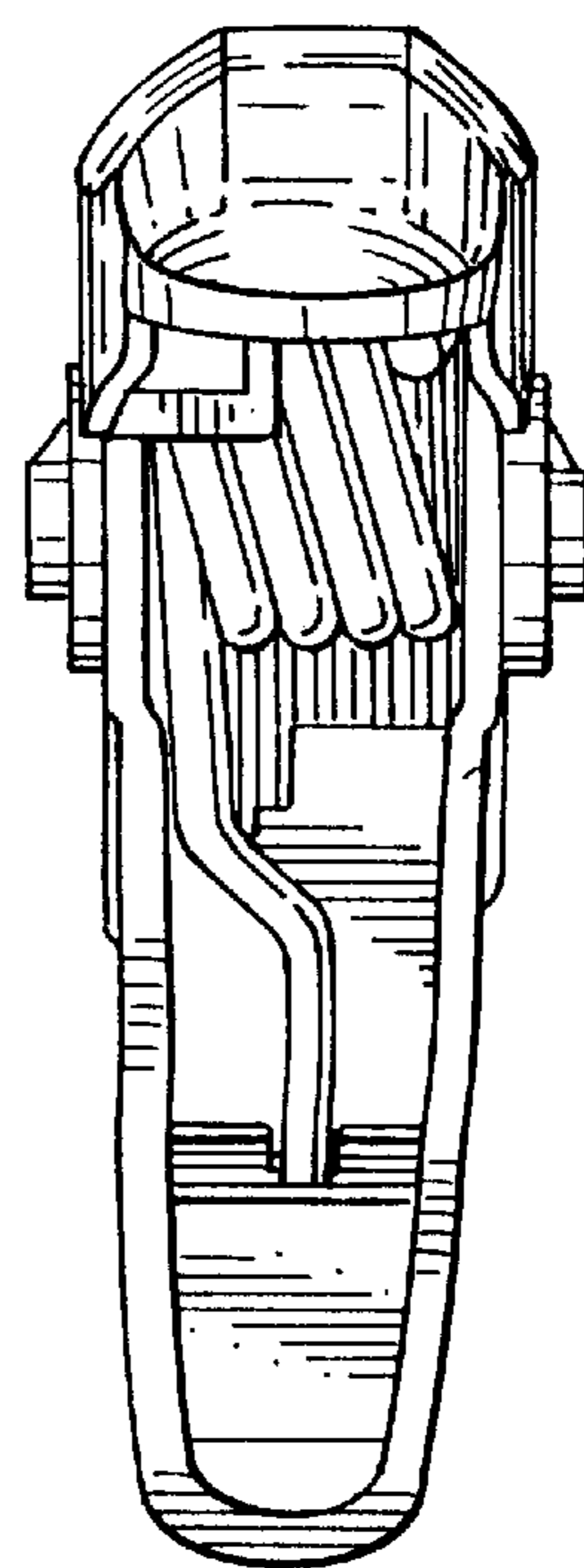


FIG. 6