



US00D487686S

(12) **United States Design Patent**
Milbourne

(10) **Patent No.:** **US D487,686 S**
(45) **Date of Patent:** **** Mar. 23, 2004**

(54) **DRILL CHUCK, SIDE HANDLE, AND COLLAR ARRANGEMENT**

(75) Inventor: **Rodney Milbourne**, Abingdon, MD (US)

(73) Assignee: **Black & Decker Inc.**, Newark, DE (US)

(**) Term: **14 Years**

(21) Appl. No.: **29/155,575**

(22) Filed: **Feb. 12, 2002**

(51) **LOC (7) Cl.** **08-01**

(52) **U.S. Cl.** **D8/70**

(58) **Field of Search** D8/70, 68, 69; D15/140; 279/60, 61, 62, 63, 64, 65, 66, 157, 901, 902; 408/56, 240

(56) **References Cited**

U.S. PATENT DOCUMENTS

- 1,979,652 A * 11/1934 Taylor 279/61
- 2,545,659 A 3/1951 Ginter
- 2,784,976 A * 3/1957 Ondeck 279/902
- 2,976,436 A 3/1961 Anton
- 3,148,568 A 9/1964 Hoza
- 3,537,336 A 11/1970 Schmuck
- 3,692,321 A * 9/1972 Shattuck 279/60
- 4,292,571 A * 9/1981 Cuneo 279/62
- 4,410,846 A 10/1983 Gerber et al.
- 4,418,766 A 12/1983 Grossmann
- 4,448,261 A 5/1984 Kousek et al.
- 4,479,555 A 10/1984 Grossmann et al.
- 4,503,425 A 3/1985 Gerber et al.
- D279,862 S 7/1985 Sato et al.
- 4,689,534 A 8/1987 Gerber et al.
- 4,820,090 A 4/1989 Chen
- D301,967 S * 7/1989 Sakamoto et al. D8/69

- 4,978,257 A 12/1990 Nowman
- 5,049,012 A 9/1991 Cavedo
- D320,918 S 10/1991 Mochida
- 5,125,673 A * 6/1992 Huff et al. 279/60
- D337,712 S 7/1993 Cavedo
- 5,671,815 A 9/1997 Kabatnik et al.
- 5,690,451 A 11/1997 Thurler et al.
- 5,881,823 A 3/1999 Kabatnik et al.
- 5,996,707 A 12/1999 Thome et al.
- D426,760 S 6/2000 Schultz
- D431,766 S 10/2000 Zurwelle
- D442,452 S * 5/2001 Stirm et al. D8/69
- D447,032 S 8/2001 Schoen et al.

* cited by examiner

Primary Examiner—Doris V. Coles

Assistant Examiner—T. Chase Nelson

(74) *Attorney, Agent, or Firm*—Harness, Dickey & Pierce, P.L.C.

(57) **CLAIM**

The ornamental design for a drill chuck, side handle, and collar arrangement, as shown and described.

DESCRIPTION

FIG. 1 is a perspective view of a drill chuck, side handle, and collar arrangement.

FIG. 2 is a left side view thereof;

FIG. 3 is a right side view thereof;

FIG. 4 is a front view thereof;

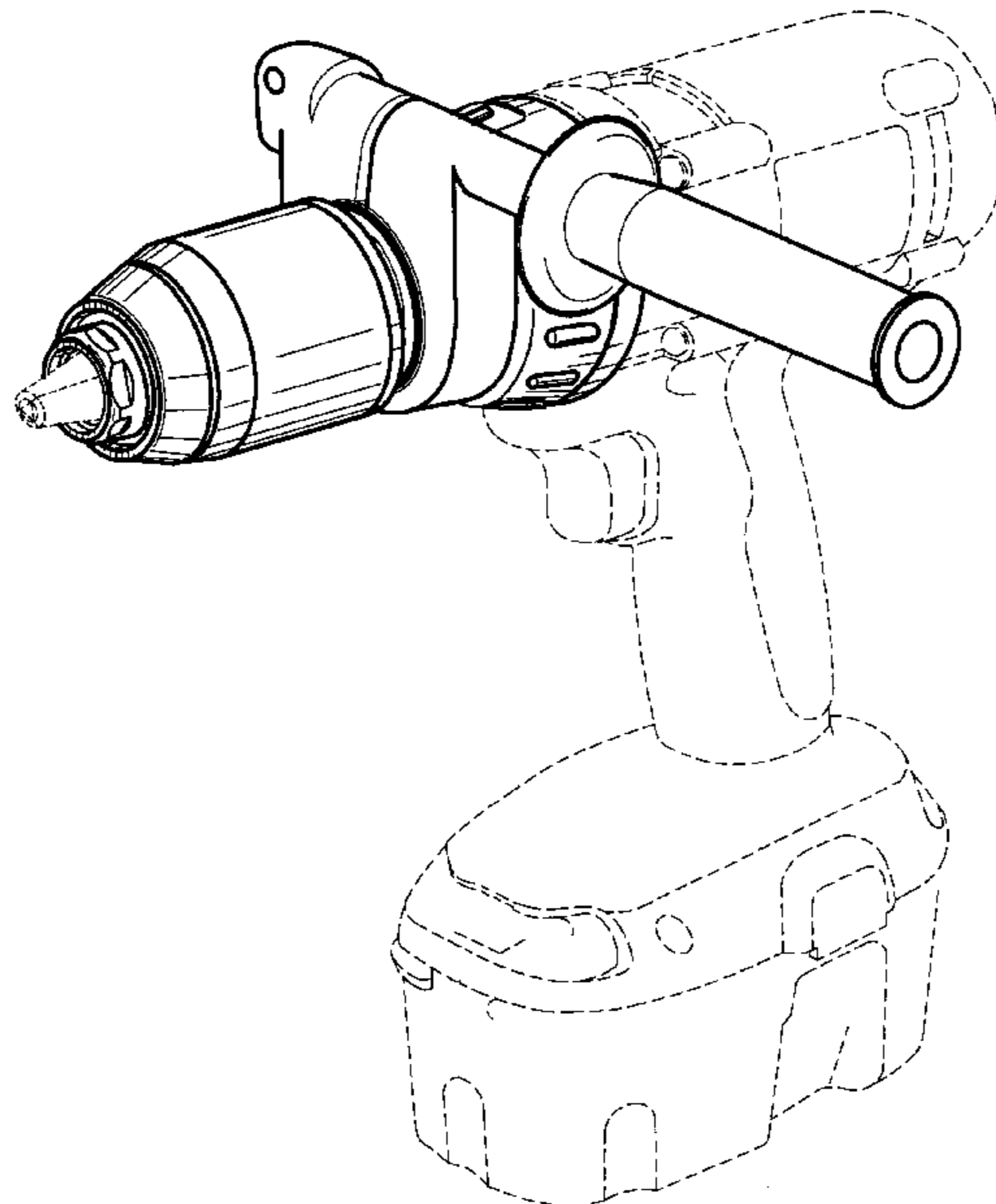
FIG. 5 is a rear view thereof;

FIG. 6 is a top view thereof; and,

FIG. 7 is a bottom view thereof.

The accompanying drawings also form a part of the specification in which the broken lines showing of a drill body and handle are for illustrative purposes only and do not constitute part of the claim.

1 Claim, 7 Drawing Sheets



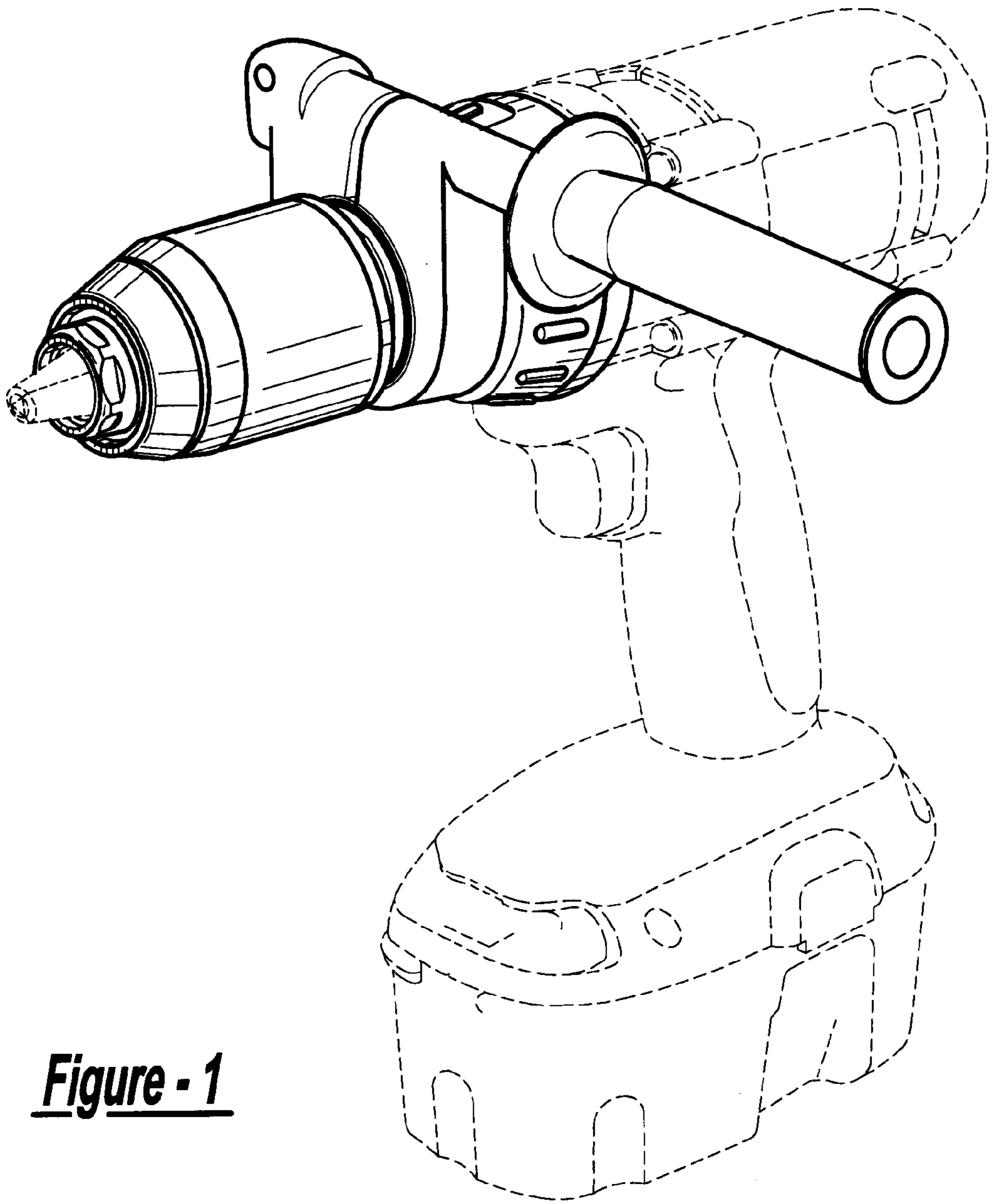


Figure - 1

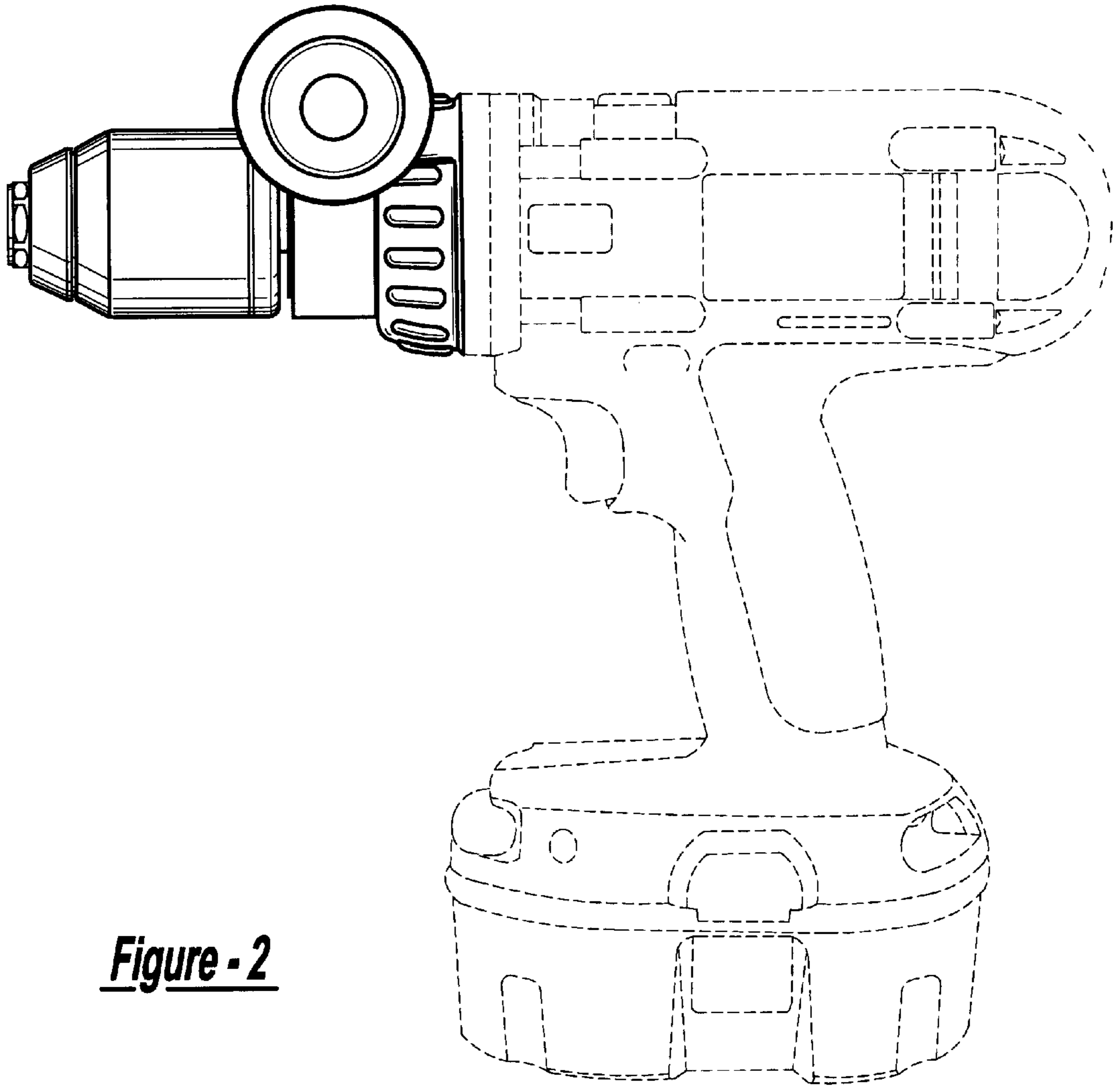


Figure - 2

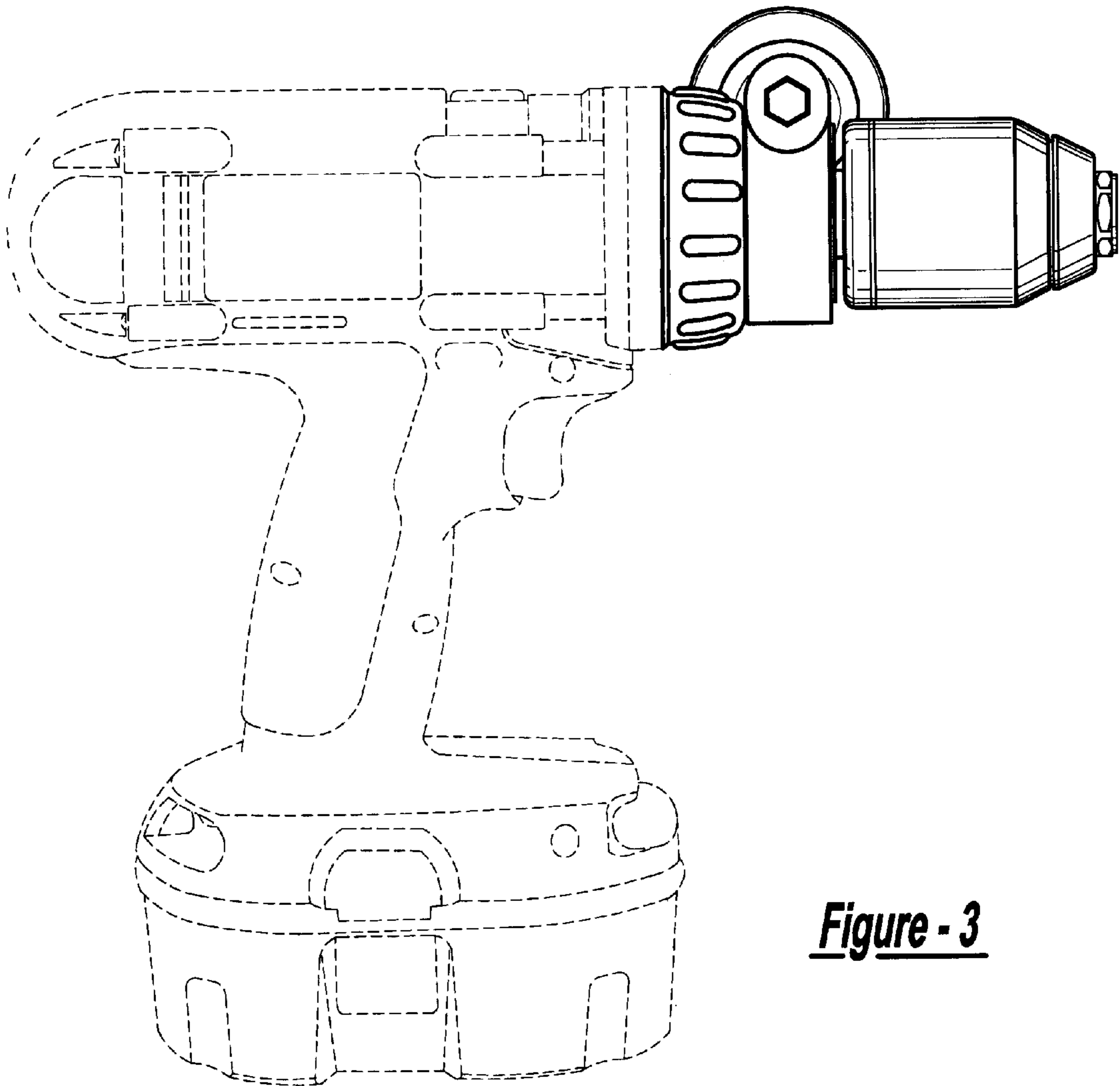


Figure - 3

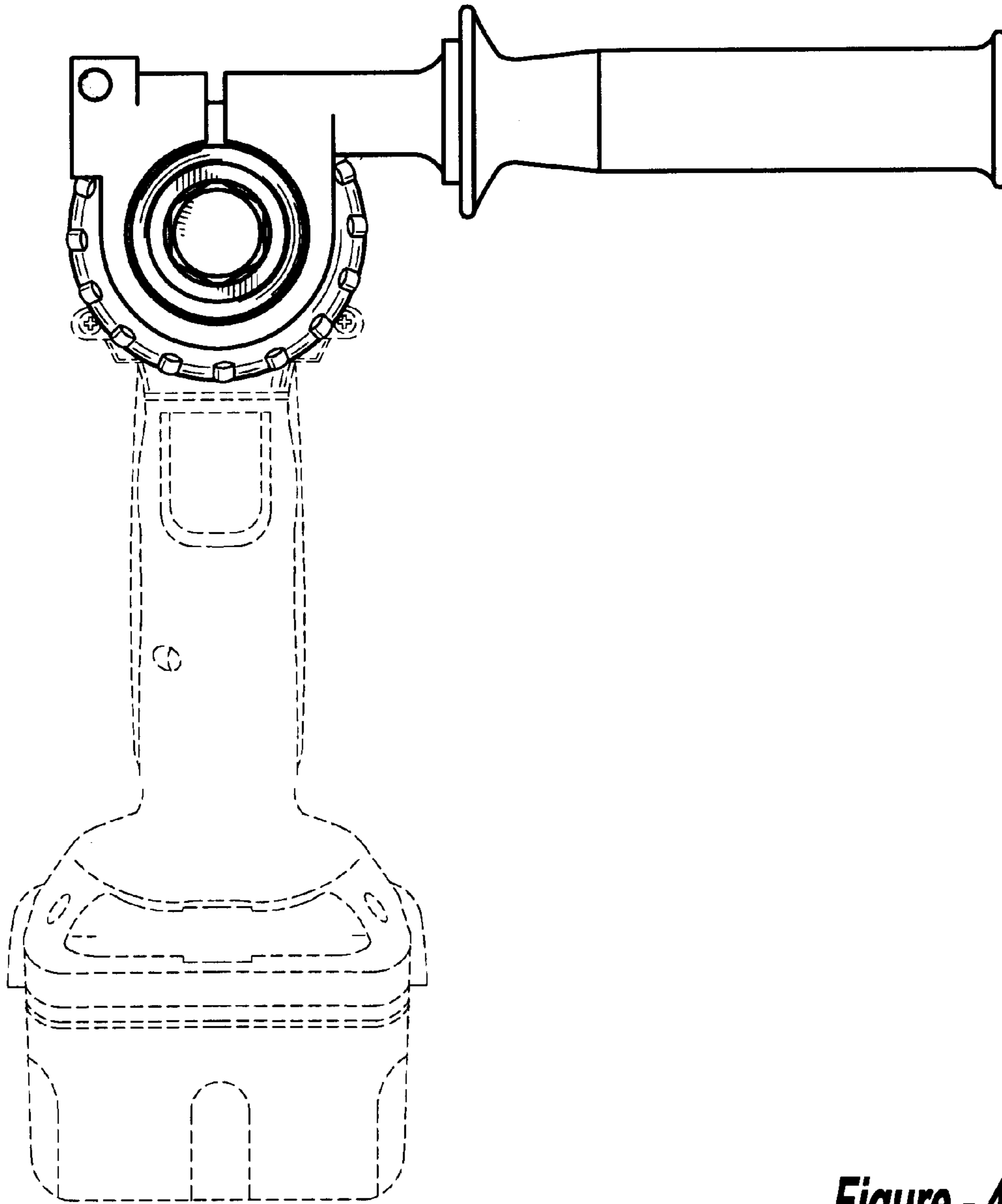


Figure - 4

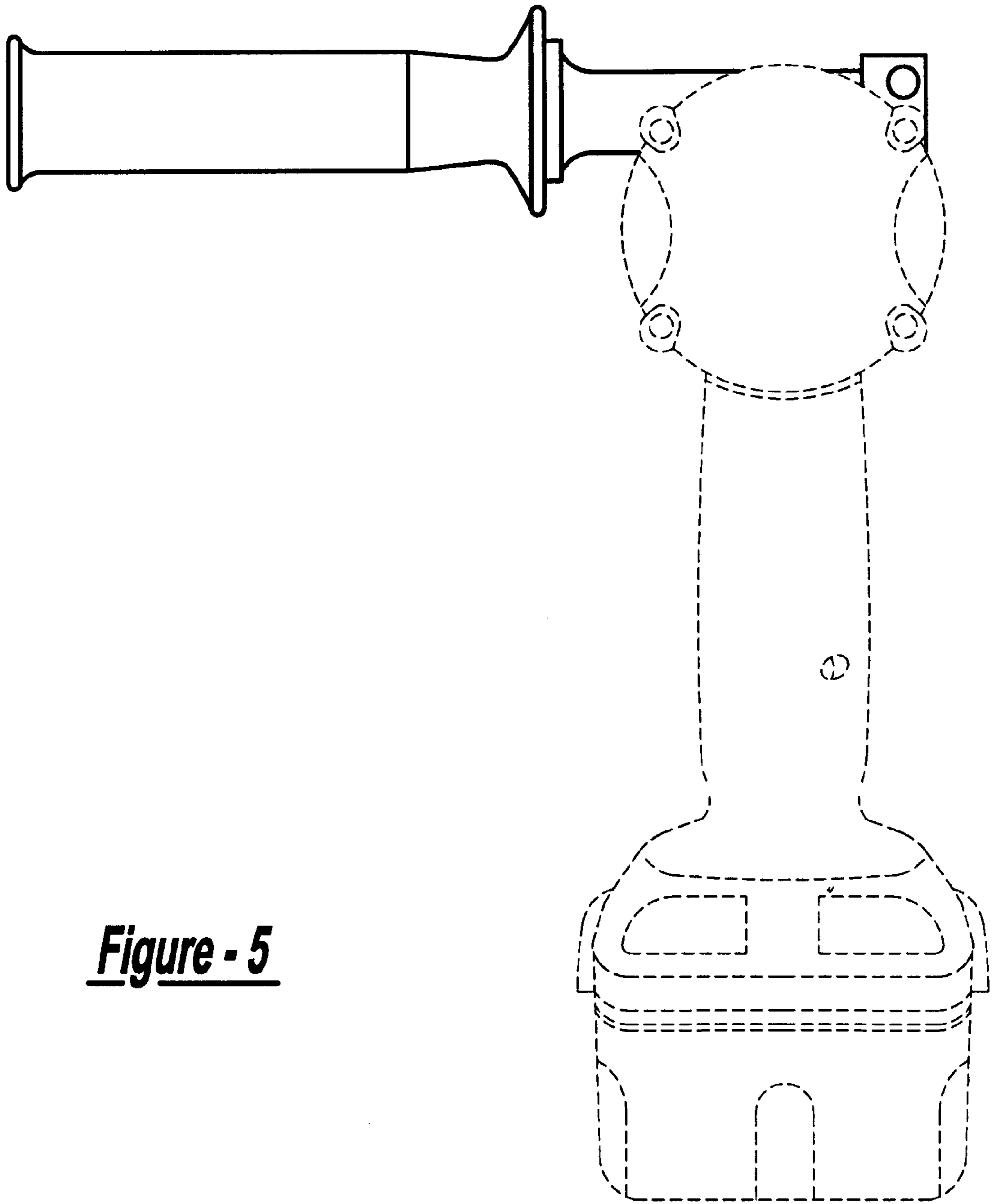


Figure - 5

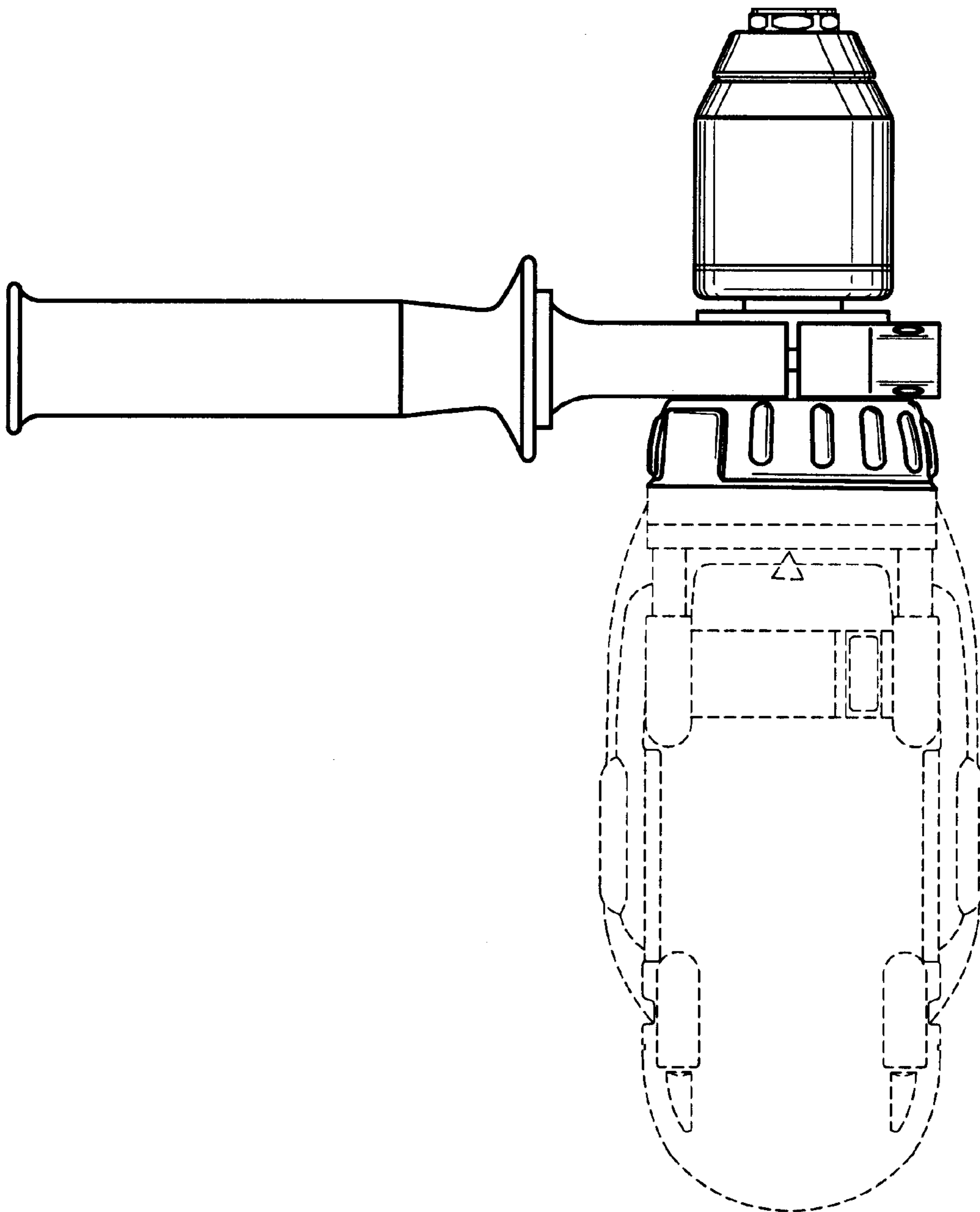


Figure - 6

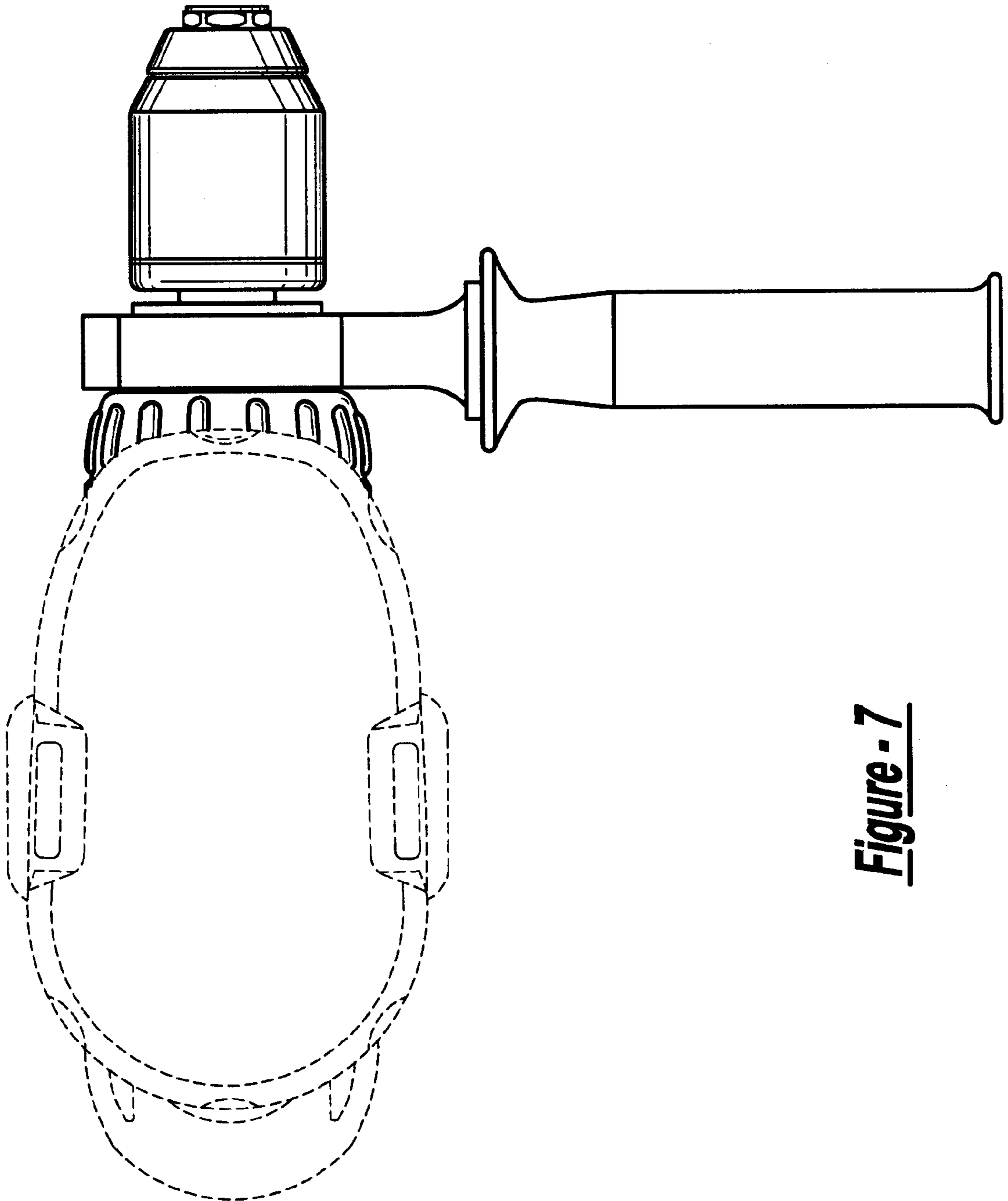


Figure - 7