



US00D487685S

(12) **United States Design Patent**
Zeilinger

(10) **Patent No.:** **US D487,685 S**

(45) **Date of Patent:** **** Mar. 23, 2004**

- (54) **COMBINED SCRAPER, SPREADER AND FINISHING TOOL**
- (75) Inventor: **Scott Zeilinger**, Pepper Pike, OH (US)
- (73) Assignee: **Magic American Products, Inc.**, Beachwood, OH (US)
- (**) Term: **14 Years**
- (21) Appl. No.: **29/160,590**
- (22) Filed: **May 14, 2002**
- (51) **LOC (7) Cl.** **08-05**
- (52) **U.S. Cl.** **D8/45; D32/46**
- (58) **Field of Search** **D8/45; D32/40, D32/42, 46, 49; 15/236.01-236.02, 236.05, 236.08, 245, 245.1**

D138,750 S	9/1944	Swenson	D54/13
D141,123 S	5/1945	Neiser	D44/29
2,670,491 A	3/1954	Stoner et al.	15/236
2,674,005 A	4/1954	Simon	18/3.5
2,830,559 A	4/1958	Blue et al.	72/138
2,883,854 A	4/1959	Marmon	72/138
2,900,656 A	8/1959	Tupper	15/245
2,968,057 A	1/1961	Pratt	15/236
3,013,291 A	12/1961	Matrick	15/245
3,046,670 A	7/1962	Wydra	33/178
3,078,491 A	2/1963	Ames	15/236
3,080,593 A	3/1963	Wilson	15/105
3,101,502 A	8/1963	Levy	15/235.4
3,155,997 A	11/1964	Gallagher	15/105.5
D207,184 S	3/1967	Williams	D54/13
3,408,677 A	11/1968	Yates	15/236
3,744,079 A	7/1973	Krause	15/235.7
3,761,992 A	10/1973	Schneller	15/210
3,821,828 A	7/1974	Pearson	15/104
3,846,060 A	11/1974	Otis	425/458
3,878,581 A	4/1975	Perna	15/235.7
3,964,854 A	6/1976	Groeneveld	425/458

(56) **References Cited**

U.S. PATENT DOCUMENTS

135,333 A	1/1873	Haight	15/236.05
527,859 A	10/1894	Ingram	29/808
D27,141 S	6/1897	Crossman	D32/46
D27,254 S	6/1897	Barden et al.	D7/649
D34,272 S	3/1901	Hoffman	D32/46
912,028 A	2/1909	Prout	30/169
1,000,333 A	8/1911	Hall	15/245.1
D46,890 S	1/1915	Stinecz	D8/19
1,192,910 A	8/1916	Lawrence	30/169
1,195,297 A	8/1916	Vlchek	30/169
1,211,098 A	1/1917	Darrin	15/236.05
1,581,943 A	4/1926	Bunker	15/245
1,768,411 A	6/1930	Lord	15/235.4
1,851,497 A	3/1932	Darling	15/257.01
1,868,013 A	7/1932	Humphreys	15/235.4
2,065,886 A	12/1936	Clift	15/245
2,188,114 A	1/1940	Hubbard	15/245
2,193,390 A	3/1940	Bussert	18/3.5
2,244,000 A	6/1941	Oliver	18/3.5
2,247,603 A	7/1941	Christman	18/3.5
2,247,604 A	7/1941	Christman	18/3.5
2,261,063 A	10/1941	Joyce	18/3.5
2,291,015 A	7/1942	Anderson	30/171

(List continued on next page.)

Primary Examiner—Holly Baynham
(74) *Attorney, Agent, or Firm*—David A. Burge

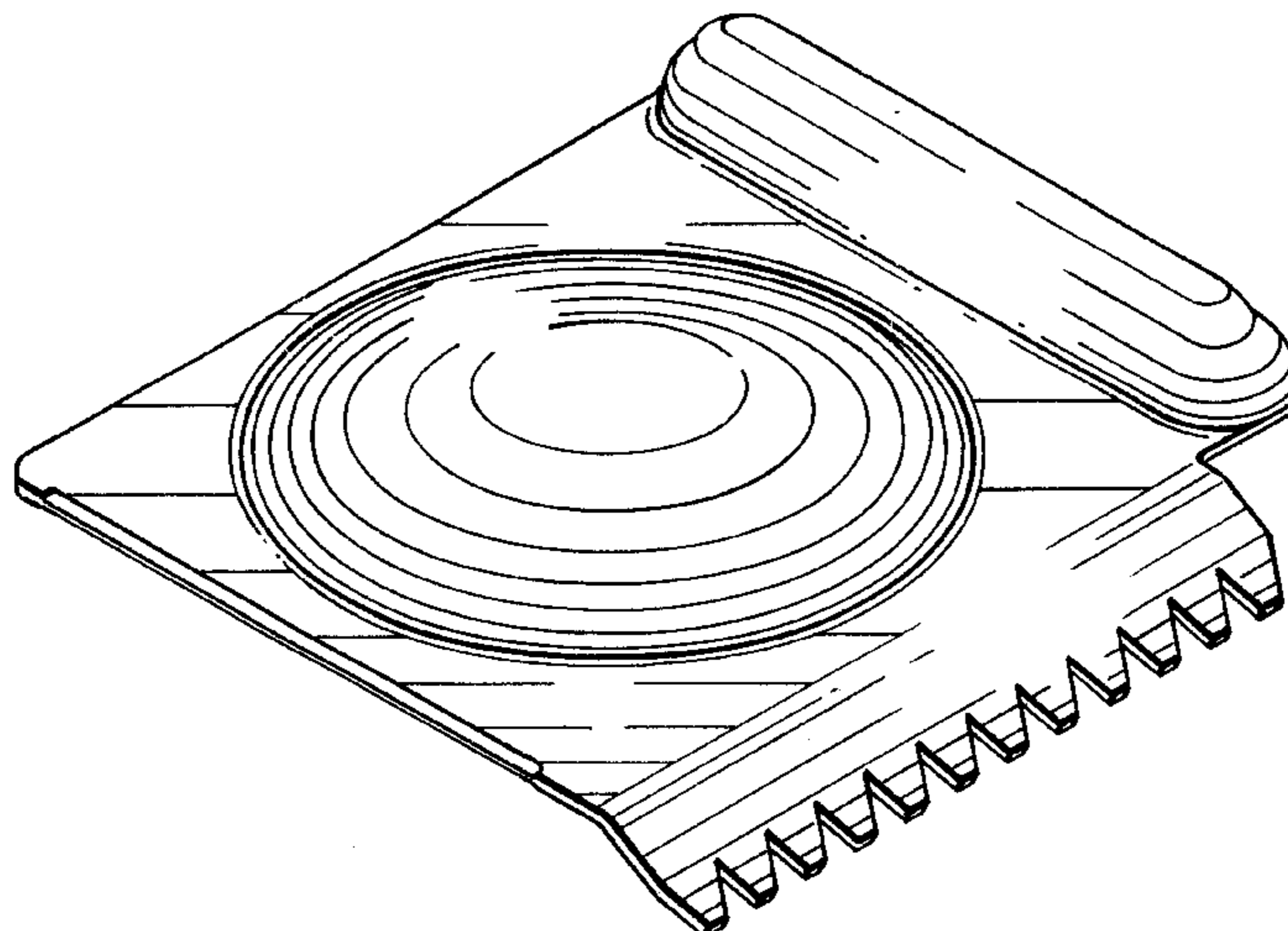
(57) **CLAIM**

I claim the ornamental design for combined scraper, spreader and finishing tool, as shown and described.

DESCRIPTION

FIG. 1 is a perspective view showing front, top and right end portions of my new design;
FIG. 2 is a perspective view showing rear, bottom and left end portions thereof;
FIG. 3 is a front side elevational view thereof;
FIG. 4 is a rear side elevational view thereof;
FIG. 5 is a top plan view thereof;
FIG. 6 is a bottom plan view thereof;
FIG. 7 is a right end view thereof; and,
FIG. 8 is a left end view thereof.

1 Claim, 3 Drawing Sheets



US D487,685 S

Page 2

U.S. PATENT DOCUMENTS

4,167,056 A	9/1979	Nattel	29/267	D355,281 S	2/1995	Hansen et al.	D32/46
4,248,660 A	2/1981	Johnson	156/579	D355,576 S	2/1995	Groene et al.	D8/70
D265,940 S	8/1982	Olsson	D7/5	5,437,074 A	8/1995	White et al.	15/105
4,355,432 A	10/1982	Storm, Jr.	15/245	5,440,777 A	8/1995	Olivieri	15/236.01
D279,933 S	7/1985	Gaines	D32/46	D362,604 S	9/1995	White et al.	D8/45
4,586,890 A	5/1986	Marchbanks	425/458	D362,936 S	* 10/1995	Shabel	D32/46
4,698,870 A	10/1987	Clark	15/105.5	D364,015 S	11/1995	Stoltzfus	D32/46
D293,072 S	12/1987	Cook	D7/99	D366,405 S	1/1996	Stevens	D8/45
D312,155 S	11/1990	Saunders	D32/46	5,555,592 A	9/1996	Crego	15/236.07
5,018,956 A	5/1991	Lemaster	425/87	5,638,570 A	6/1997	Gruner	15/235.7
D320,483 S	* 10/1991	Desautel	D32/46	5,675,860 A	10/1997	Campbell	15/235.7
5,075,916 A	12/1991	Englehart	15/104	D389,624 S	1/1998	Drimmie et al.	D32/46
D323,045 S	1/1992	Gabler	D32/46	D389,966 S	1/1998	Melodia et al.	D32/46
5,099,540 A	3/1992	Paschetto	15/236.02	5,706,553 A	1/1998	Riley et al.	16/111
D326,546 S	5/1992	Gringer	D32/49	D395,216 S	6/1998	Figuroa	D8/45
D326,593 S	6/1992	Ward	D8/14	5,759,628 A	6/1998	Garcia	427/356
D327,553 S	6/1992	Gringer	D32/49	D402,514 S	12/1998	Killins	D8/16
D331,301 S	11/1992	Say, Jr.	D32/46	D403,815 S	1/1999	Inerbickler	D32/46
D332,160 S	12/1992	Kuzma	D32/41	D403,816 S	1/1999	Zeilinger et al.	D32/46
D332,901 S	2/1993	Campbell	D8/45	5,857,237 A	* 1/1999	Dranginis	15/236.02
5,239,725 A	8/1993	White	15/105.5	5,920,946 A	7/1999	McCarten	15/236.01
5,251,352 A	10/1993	Cullison	7/105	D416,453 S	11/1999	Egan	D8/45
5,272,782 A	12/1993	Hutt	15/105	5,979,058 A	11/1999	Henke	30/143
D343,100 S	1/1994	Jenkinson et al.	D7/688	6,012,227 A	1/2000	Lent	30/169
D343,559 S	1/1994	Liberty	D8/45	6,035,536 A	3/2000	Dewberry	30/169
D349,592 S	* 8/1994	Stoll	D32/46	D434,888 S	* 12/2000	Hendricks	D32/46
5,337,442 A	8/1994	Stewart	15/236.01	6,219,878 B1	4/2001	Dewberry	15/235.7
D352,003 S	11/1994	Groene et al.	D9/436	D450,994 S	11/2001	Abbott	D8/104

* cited by examiner

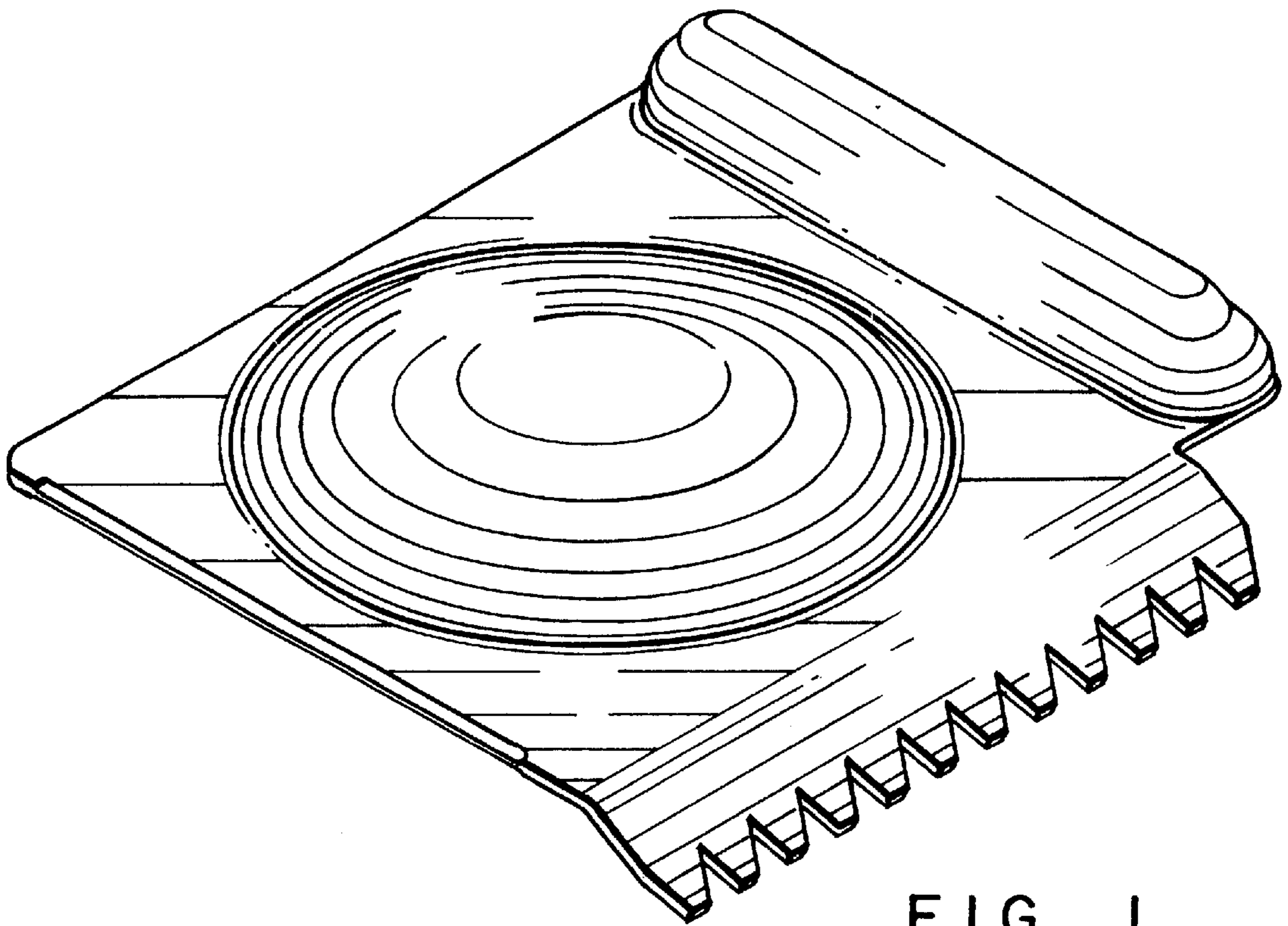


FIG. 1

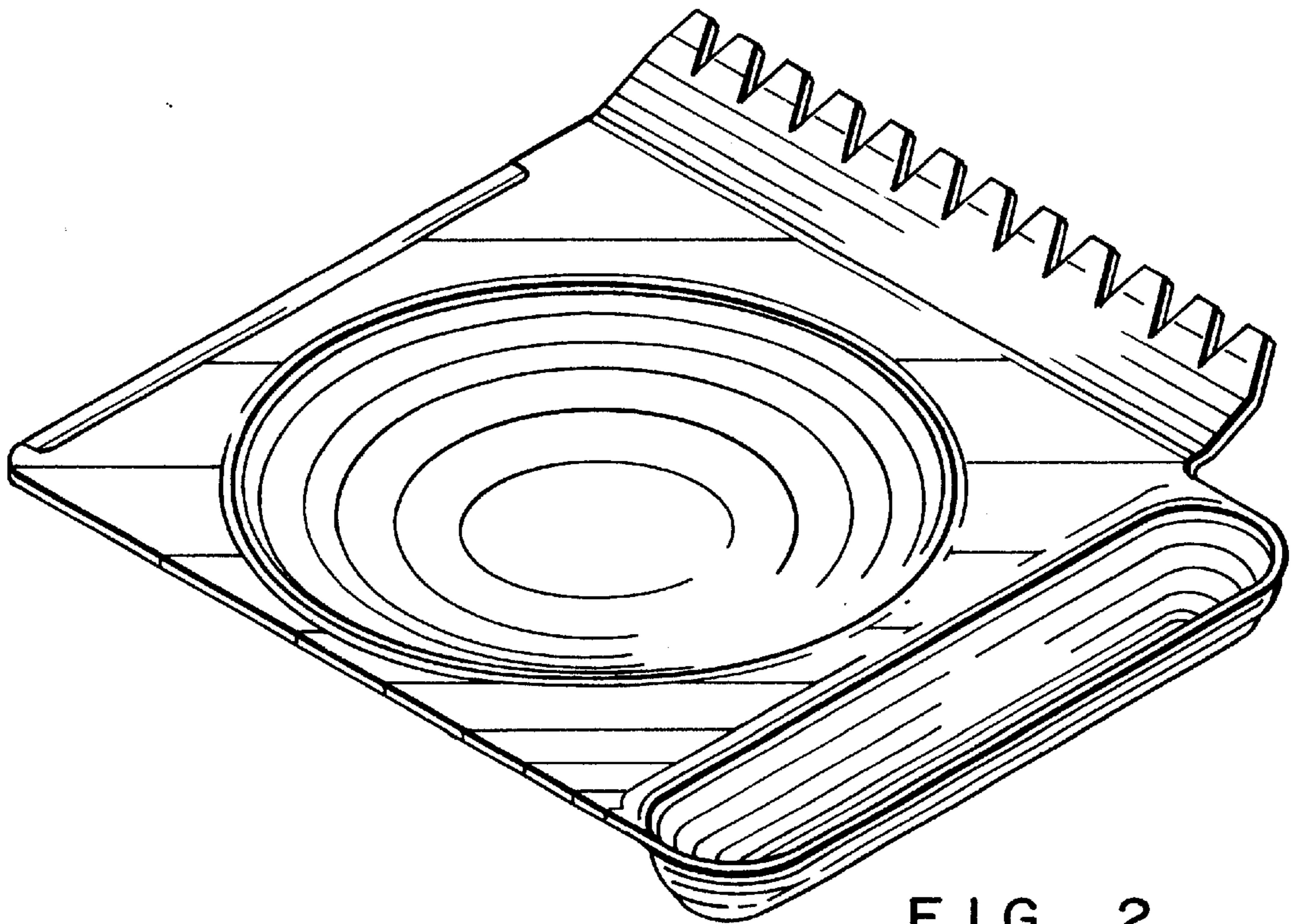


FIG. 2

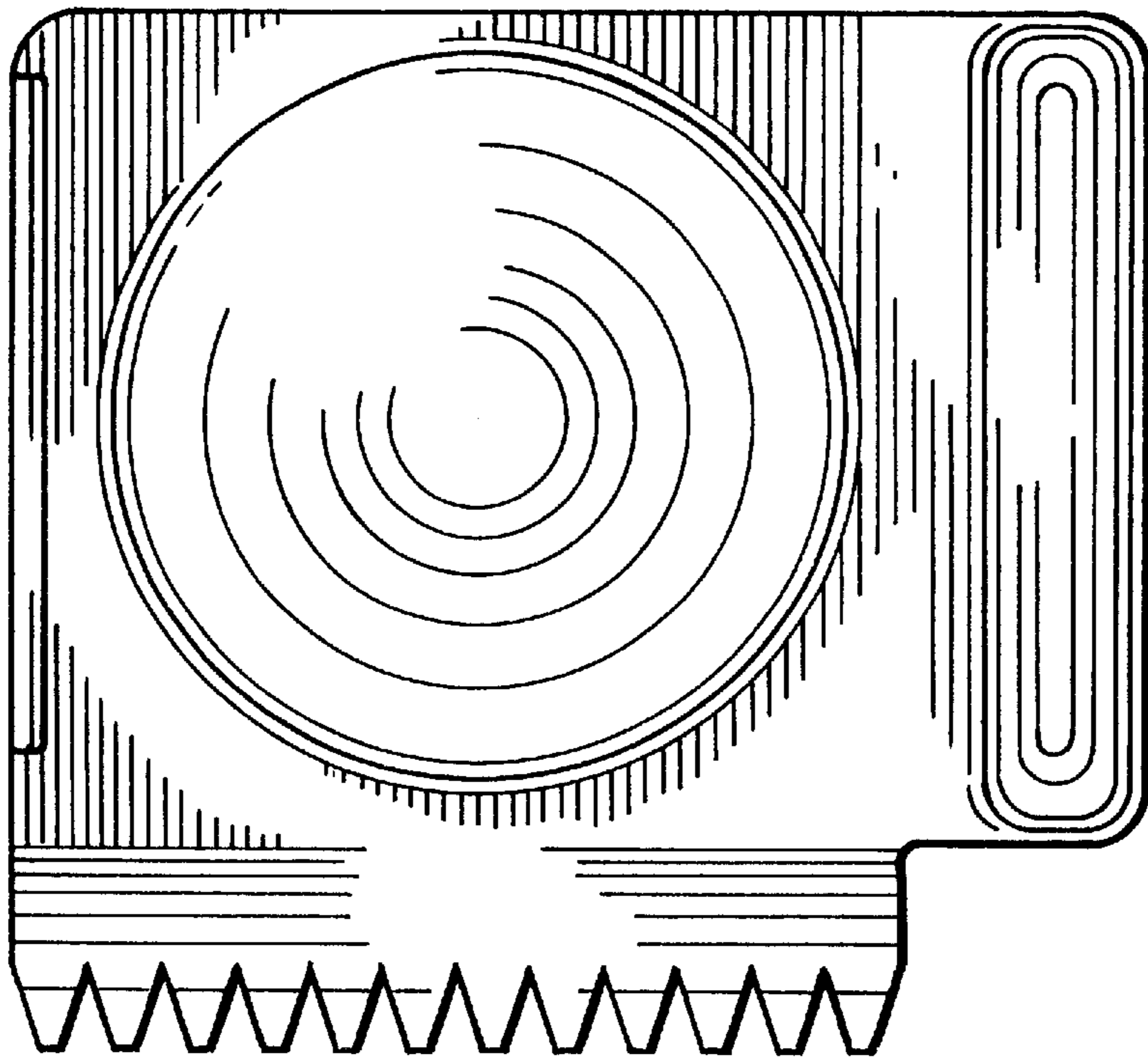


FIG. 3

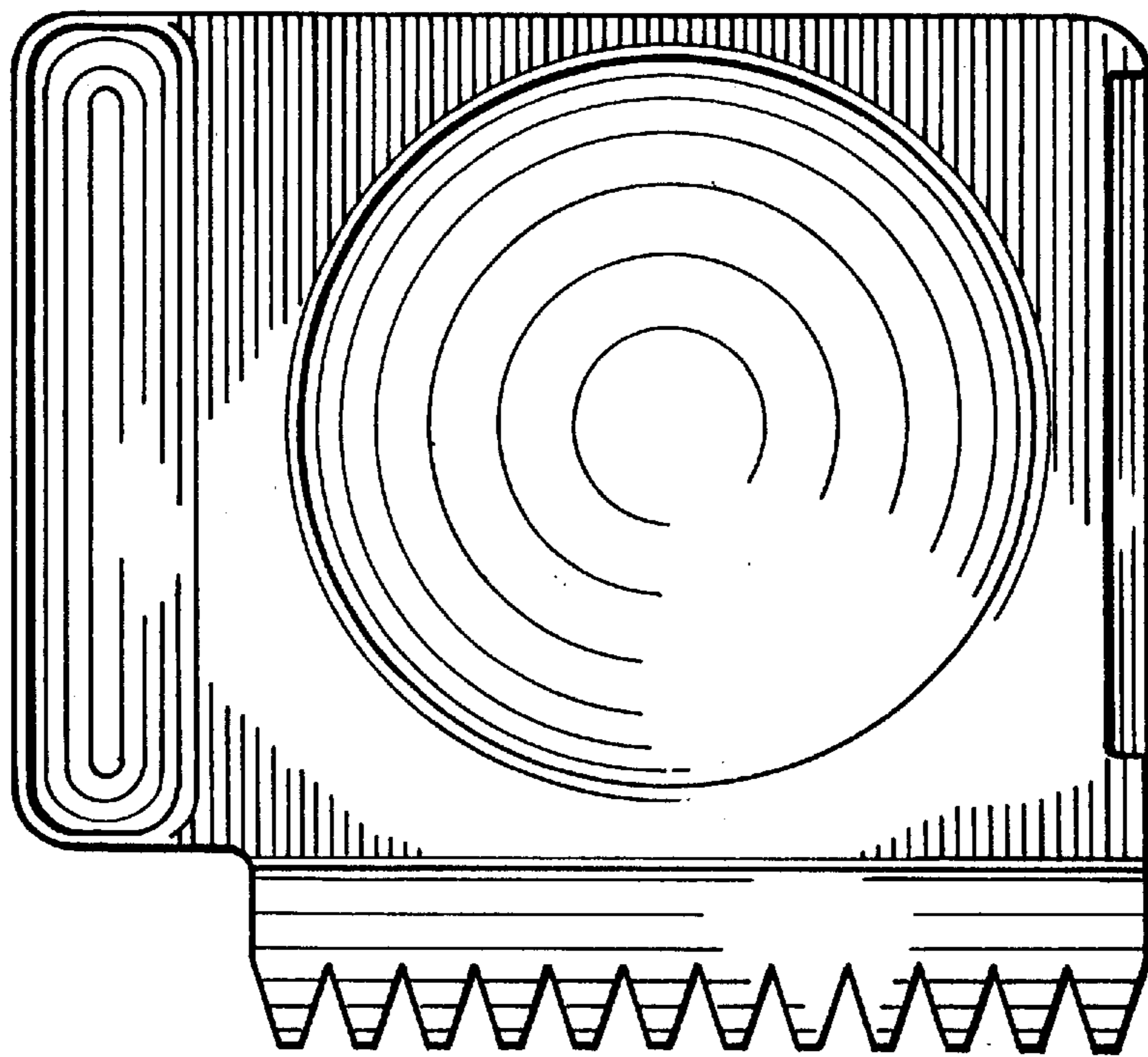


FIG. 4



FIG. 5



FIG. 6

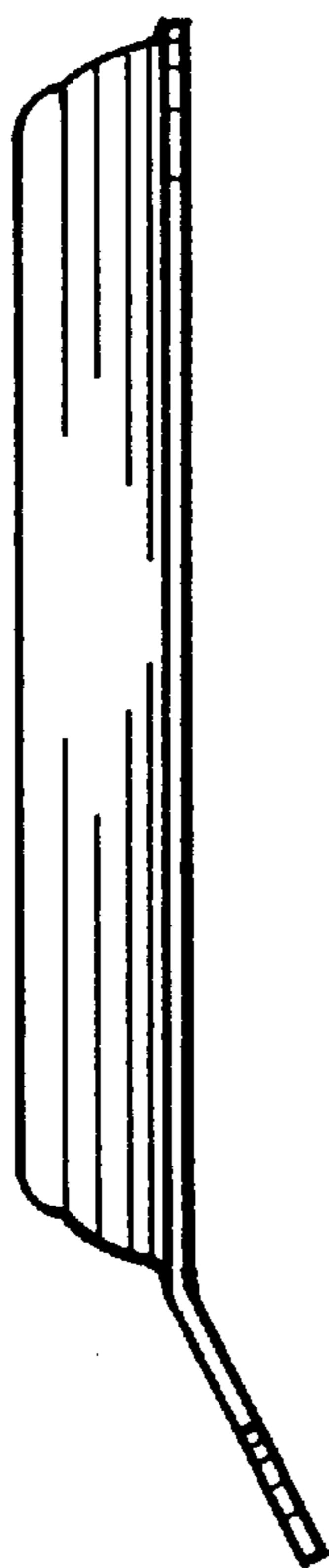


FIG. 7



FIG. 8