



US00D487684S

(12) **United States Design Patent**  
**Kehoe**

(10) **Patent No.:** **US D487,684 S**

(45) **Date of Patent:** **\*\* Mar. 23, 2004**

(54) **CORK EXTRACTOR**

D472,118 S \* 3/2003 Kehoe ..... D8/39  
D476,206 S \* 6/2003 Kushner et al. .... D8/39

(75) Inventor: **Paul M. Kehoe, Whitby (CA)**

\* cited by examiner

(73) Assignees: **Concept Solutions Limited, Hong Kong (HK); Product Specialties Inc., Whitby (CA)**

*Primary Examiner*—Caron D. Veynar  
(74) *Attorney, Agent, or Firm*—Riches, McKenzie & Herbert LLP

(\*\*) Term: **14 Years**

(57) **CLAIM**

(21) Appl. No.: **29/183,770**

The ornamental design for a cork extractor, as shown.

(22) Filed: **Jun. 18, 2003**

**DESCRIPTION**

(51) **LOC (7) Cl.** ..... **07-99**

(52) **U.S. Cl.** ..... **D8/39; D8/42**

(58) **Field of Search** ..... D8/33-43; 7/151-156;  
30/400-450; 81/3.07-3.49

FIG. 1—is a front perspective view of a cork extractor showing my new design.

FIG. 2—is a top view thereof.

FIG. 3—is a side elevational view thereof.

FIG. 4—is a front elevational view thereof.

FIG. 5—is a side elevational view of the opposite side as shown in FIG. 3.

FIG. 6—is a bottom view thereof; and,

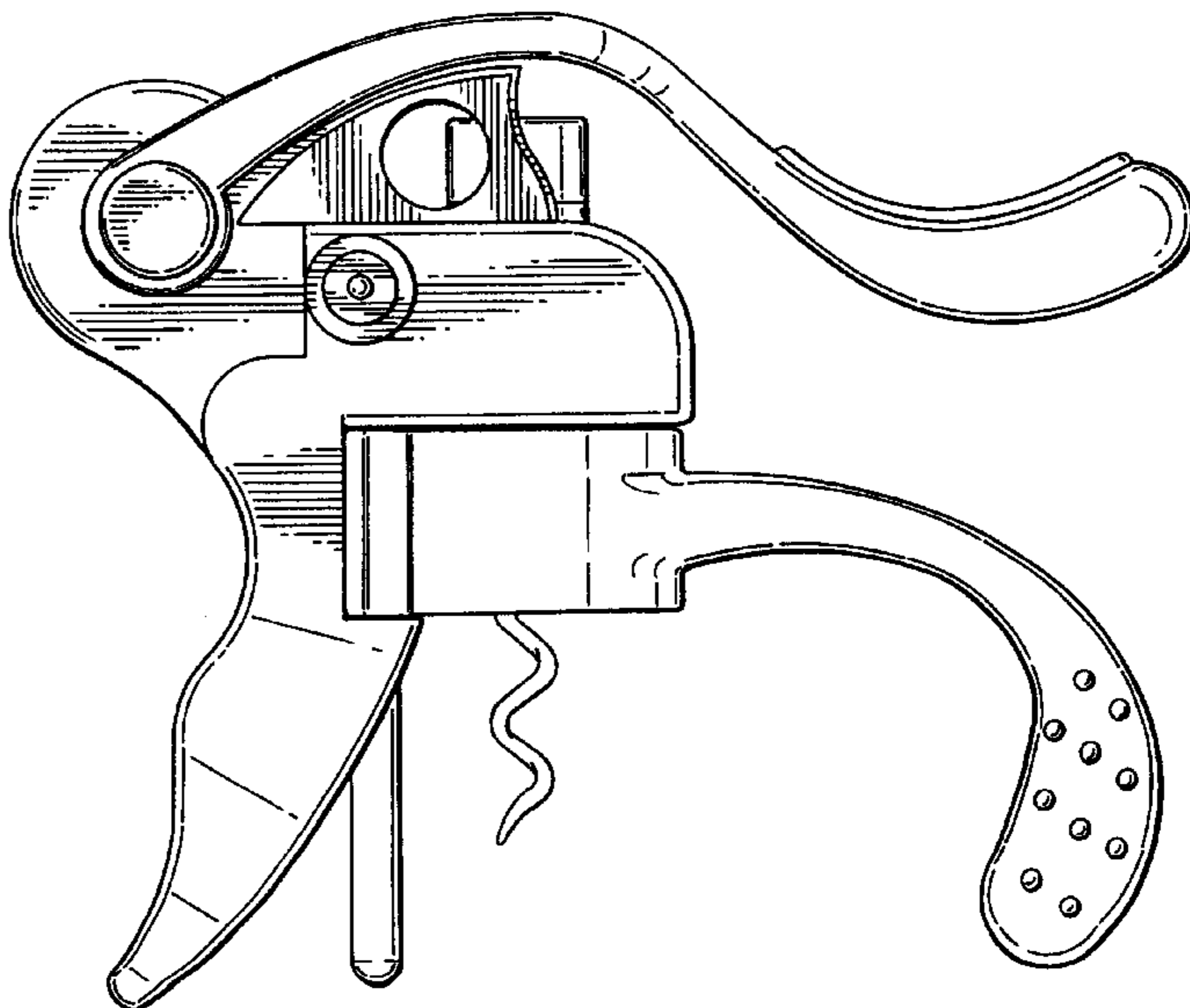
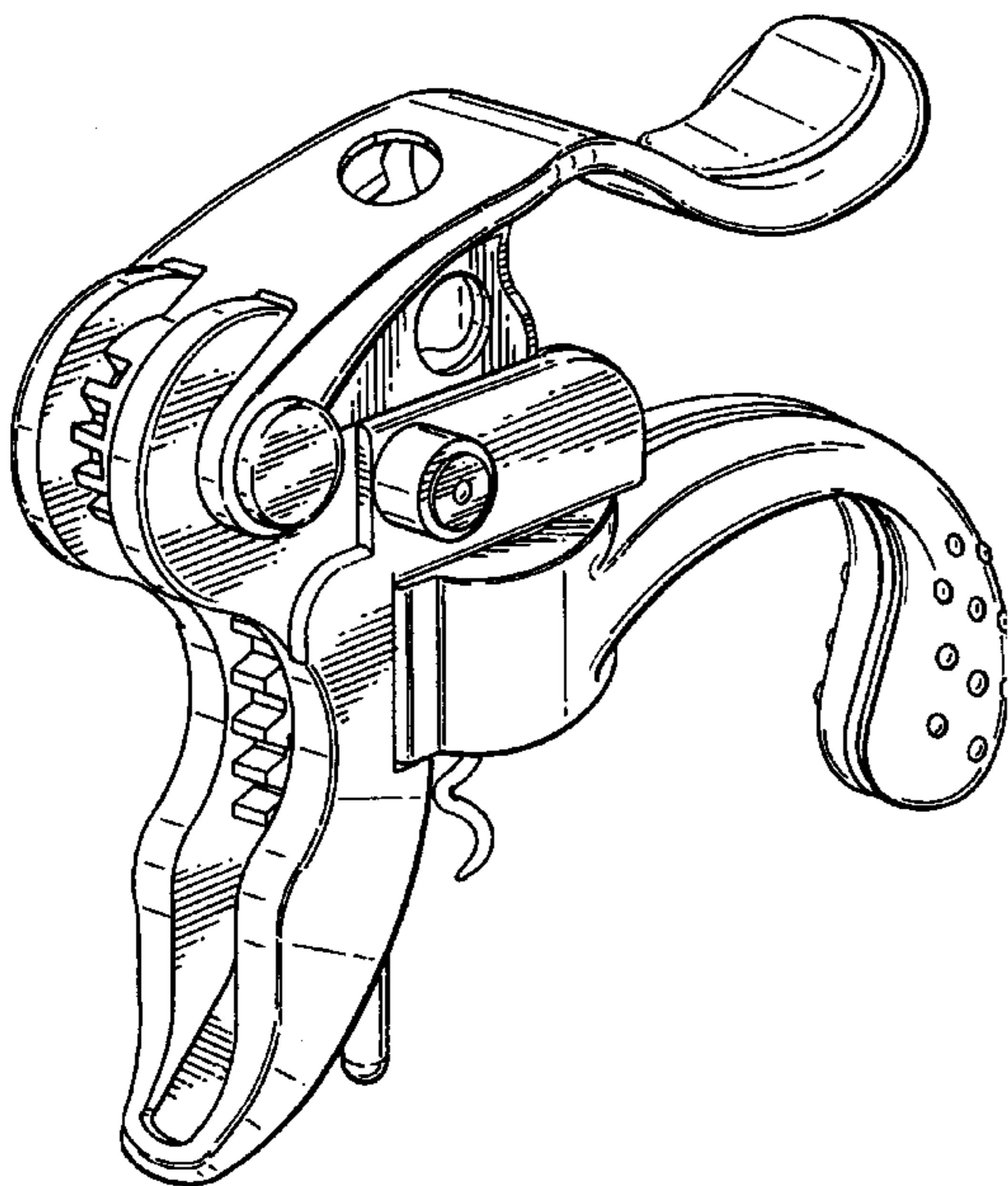
FIG. 7—is a rear elevational view thereof.

(56) **References Cited**

**U.S. PATENT DOCUMENTS**

D467,143 S \* 12/2002 Kehoe ..... D8/39  
D467,479 S \* 12/2002 Li ..... D8/39

**1 Claim, 4 Drawing Sheets**



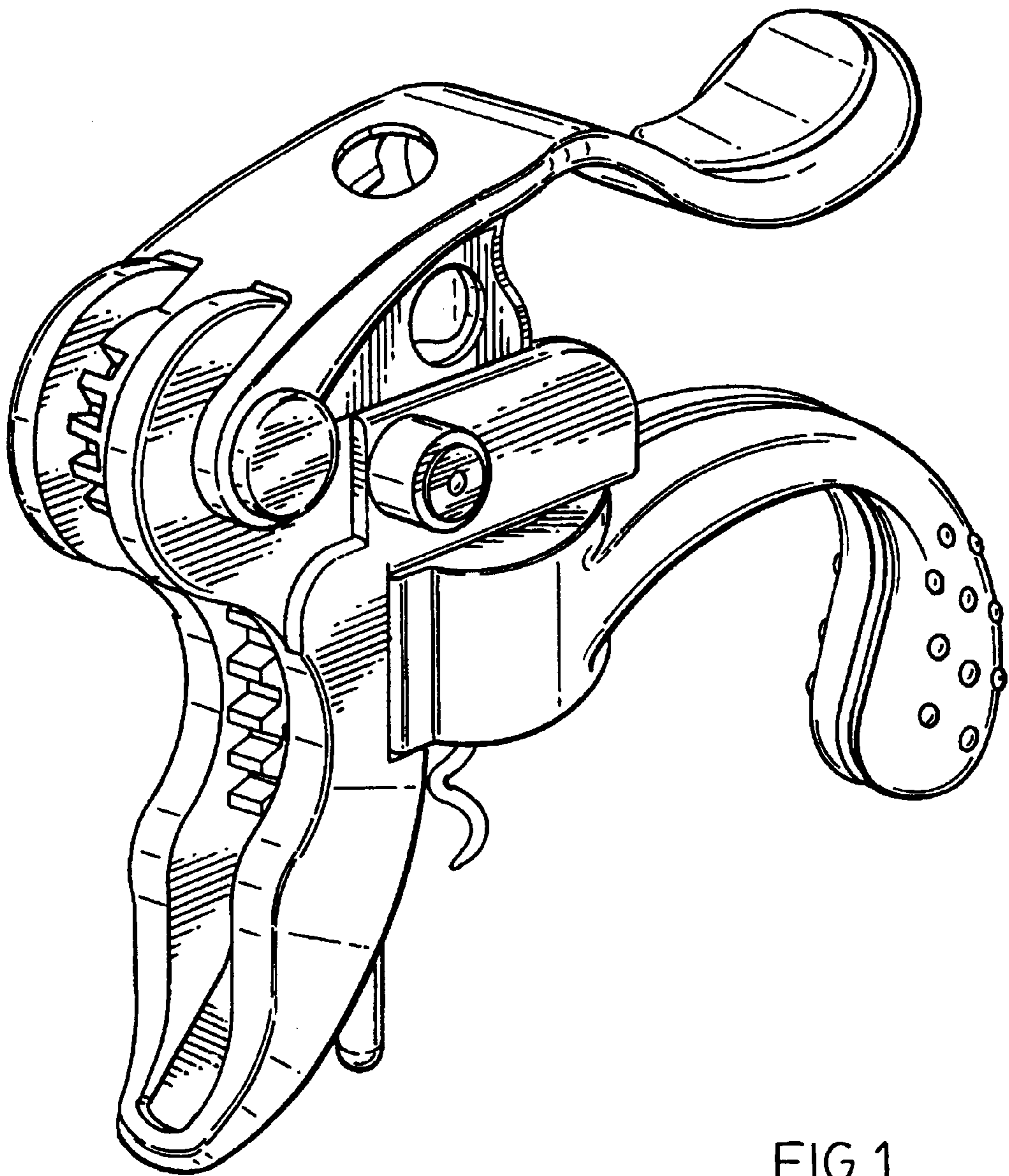


FIG.1.

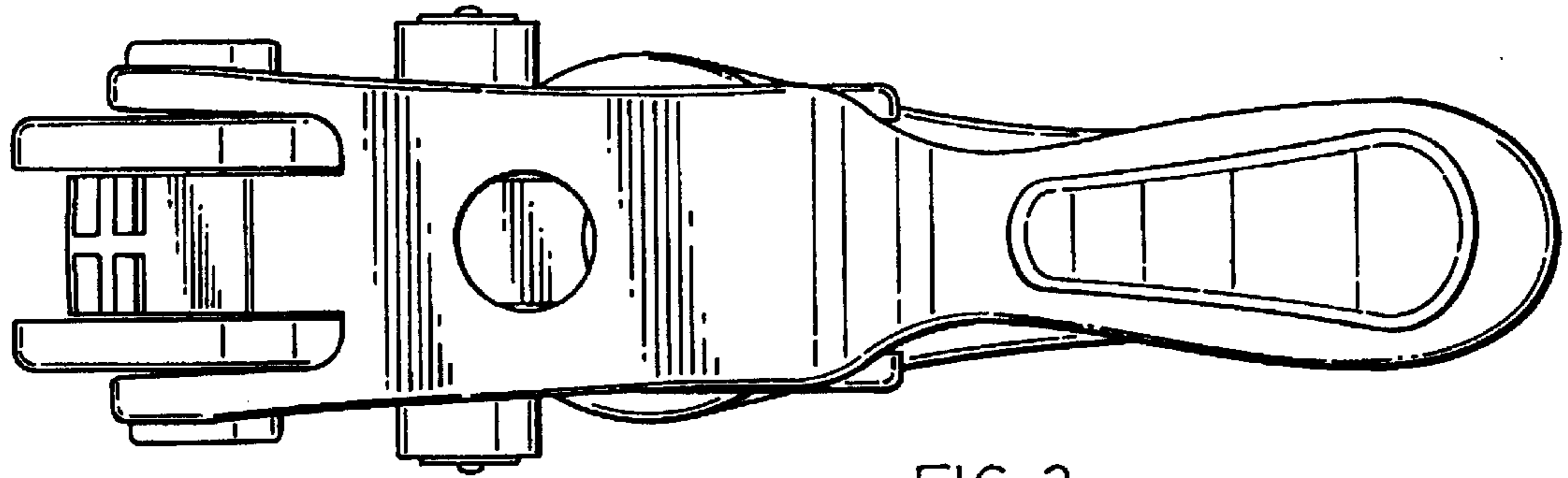


FIG. 2.

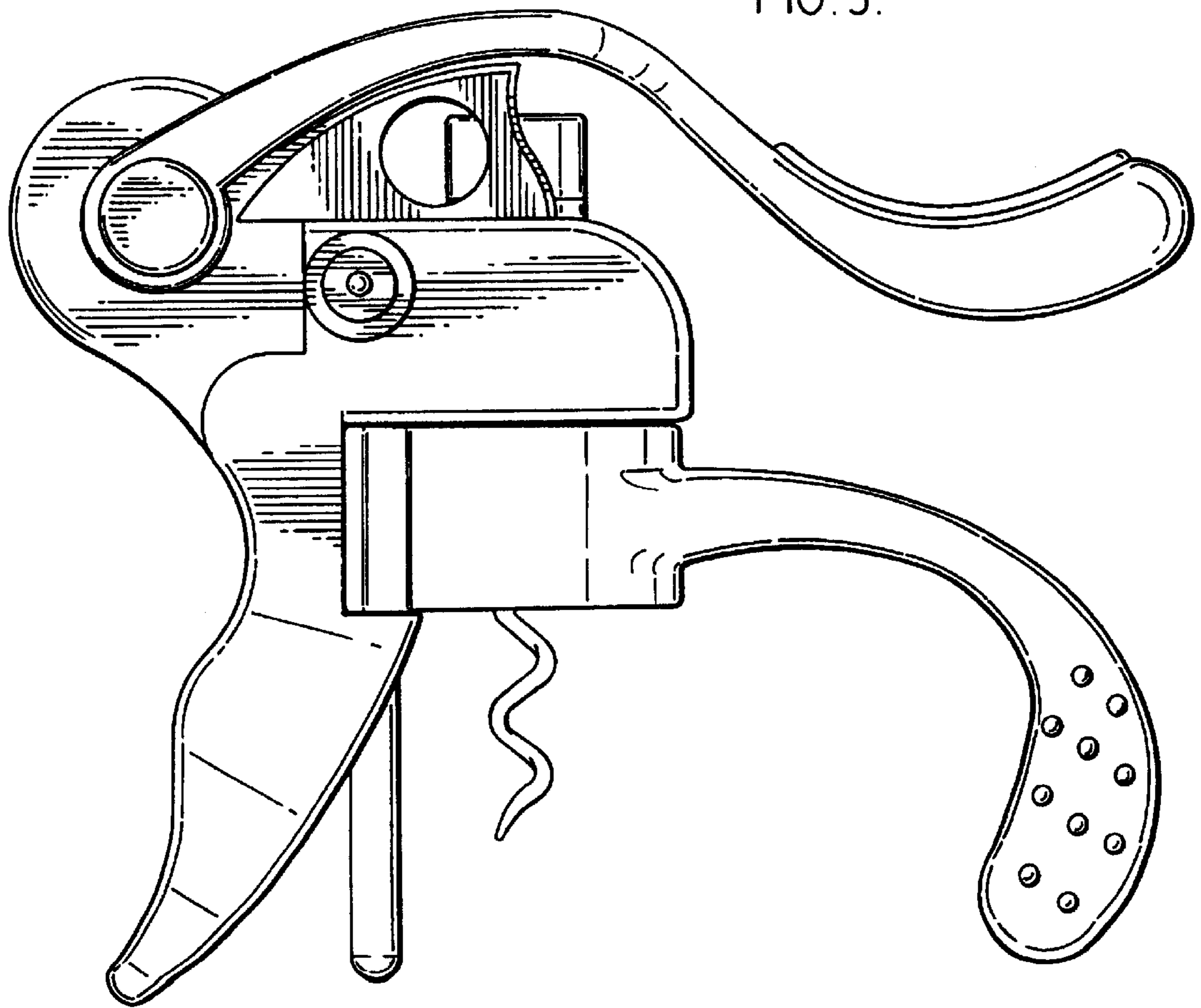


FIG. 3.

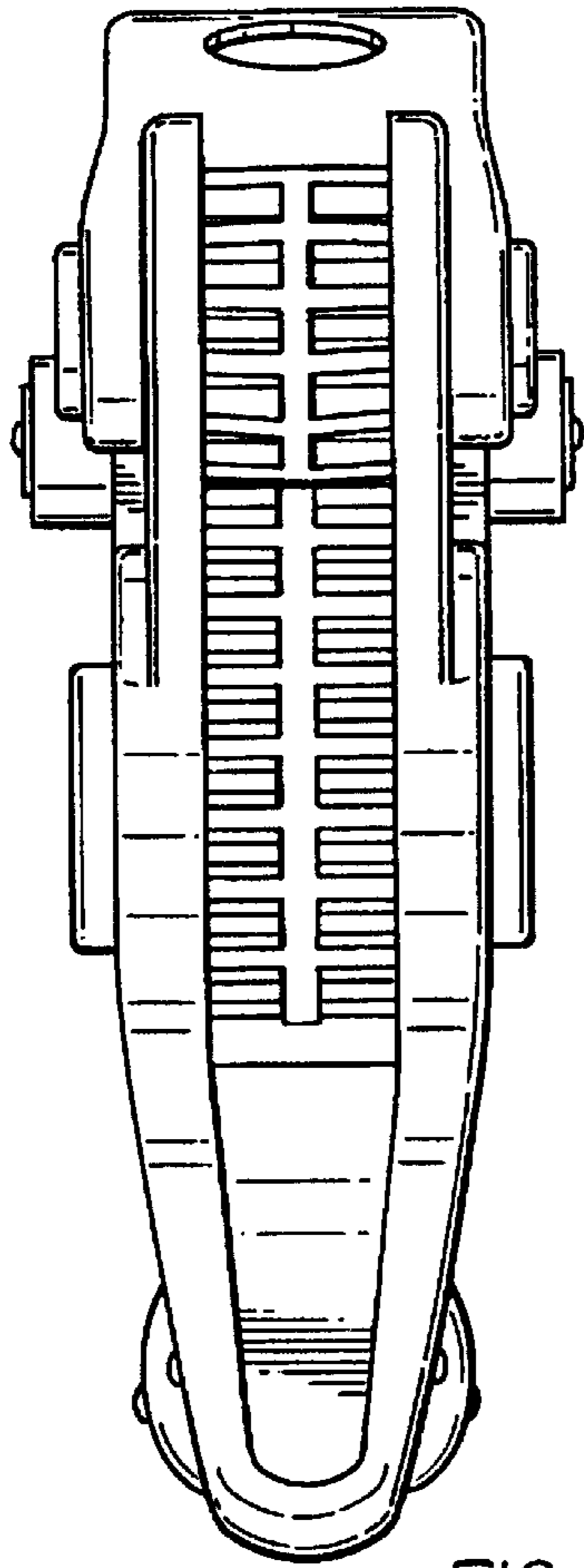


FIG. 4.

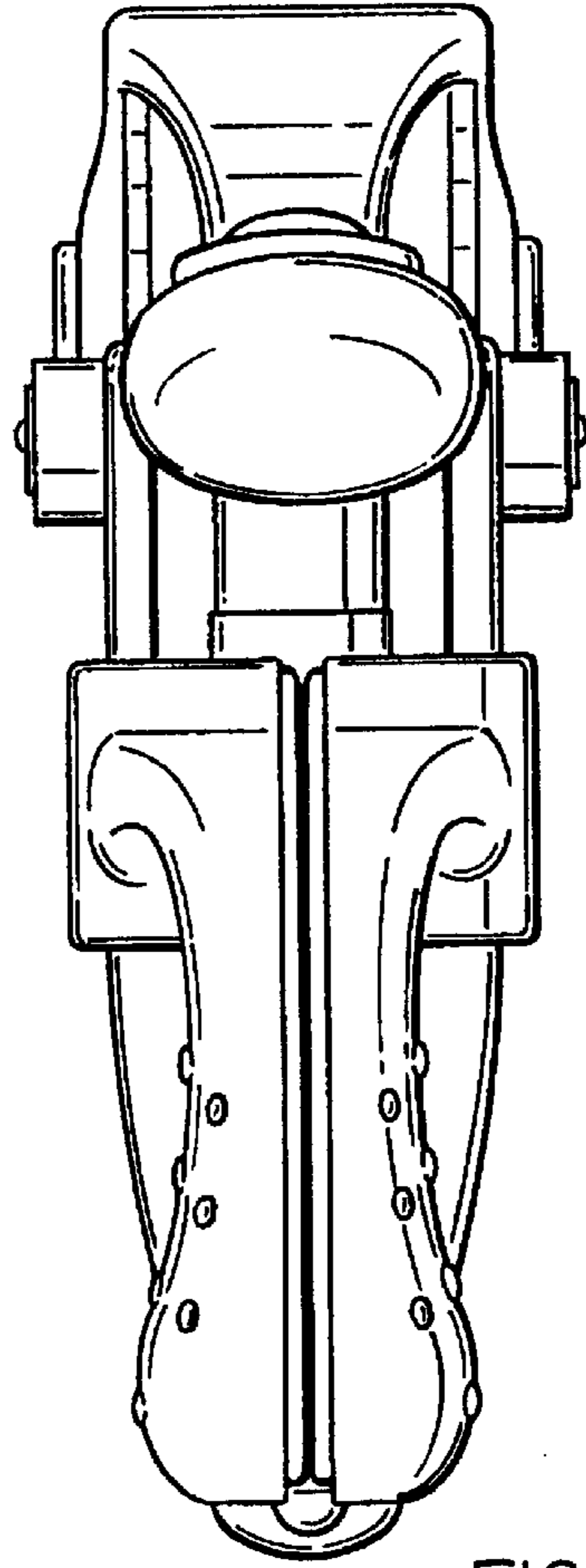


FIG. 7.

FIG. 6.

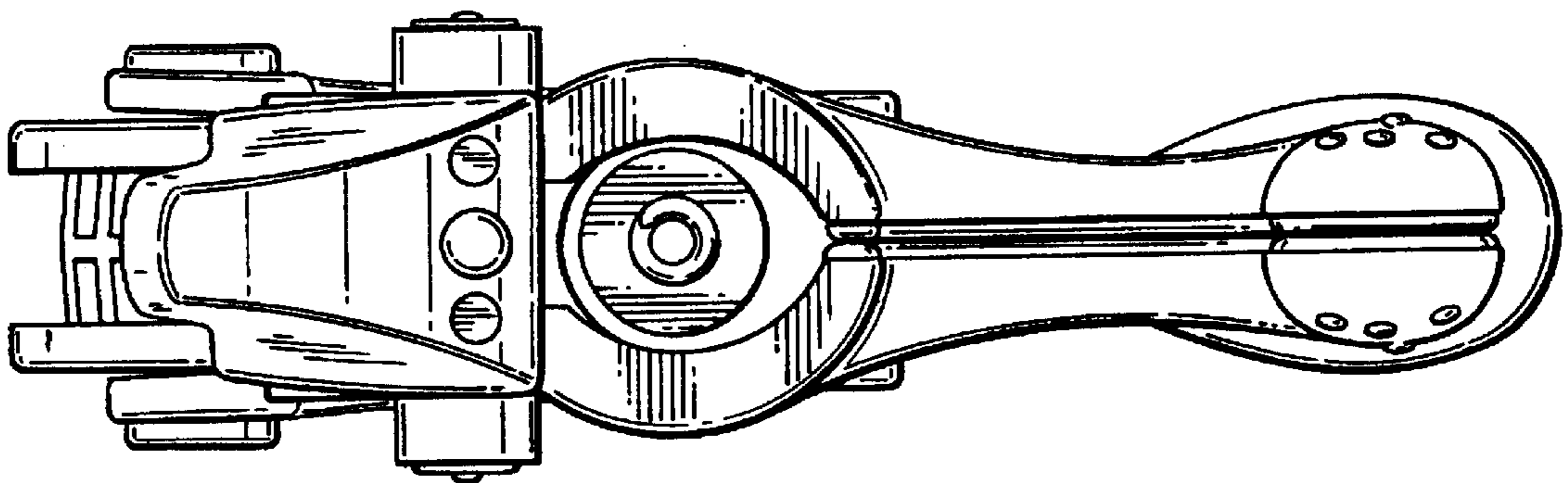


FIG. 5.

