



US00D487683S

(12) **United States Design Patent**
Kliskey

(10) **Patent No.:** **US D487,683 S**

(45) **Date of Patent:** **** Mar. 23, 2004**

- (54) **TIRE MOUNTING TOOL**
- (75) Inventor: **Roger Kliskey**, Brimfield, OH (US)
- (73) Assignee: **Summit Tool Company**, Akron, OH (US)
- (**) Term: **14 Years**
- (21) Appl. No.: **29/179,992**
- (22) Filed: **Apr. 17, 2003**

5,363,897 A	*	11/1994	Branch	157/1.3
5,417,270 A	*	5/1995	Brunner	157/1.17
5,740,848 A	*	4/1998	Goracy	157/1.3
D395,809 S	*	7/1998	Brown et al.	D8/31
5,806,578 A	*	9/1998	Gonzaga	157/1.3
D412,271 S	*	7/1999	Kliskey	D8/31

* cited by examiner

Primary Examiner—Philip S. Hyder
(74) *Attorney, Agent, or Firm*—Renner, Kenner, Greive, Bobak, Taylor & Weber

Related U.S. Application Data

- (63) Continuation of application No. 29/150,918, filed on Nov. 30, 2001, now abandoned, which is a continuation of application No. 29/143,571, filed on Jun. 14, 2001, now abandoned, which is a continuation of application No. 29/131,529, filed on Oct. 24, 2000, now abandoned, which is a continuation of application No. 29/113,319, filed on Nov. 1, 1999, now abandoned.
- (51) **LOC (7) Cl.** **08-05**
- (52) **U.S. Cl.** **D8/31; D8/89**
- (58) **Field of Search** D8/14, 31, 88, D8/89; 157/1.3, 1.17, 1.1; 81/15.2

References Cited

U.S. PATENT DOCUMENTS

D134,799 S	*	1/1943	Taylor	D8/31
D142,931 S	*	11/1945	Bailey	D8/31
D158,110 S	*	4/1950	Lutz	D8/31
D158,629 S	*	5/1950	Weynard	D8/89
5,265,661 A	*	11/1993	Tran	157/1.3
5,343,921 A	*	9/1994	Kusner	157/1.3

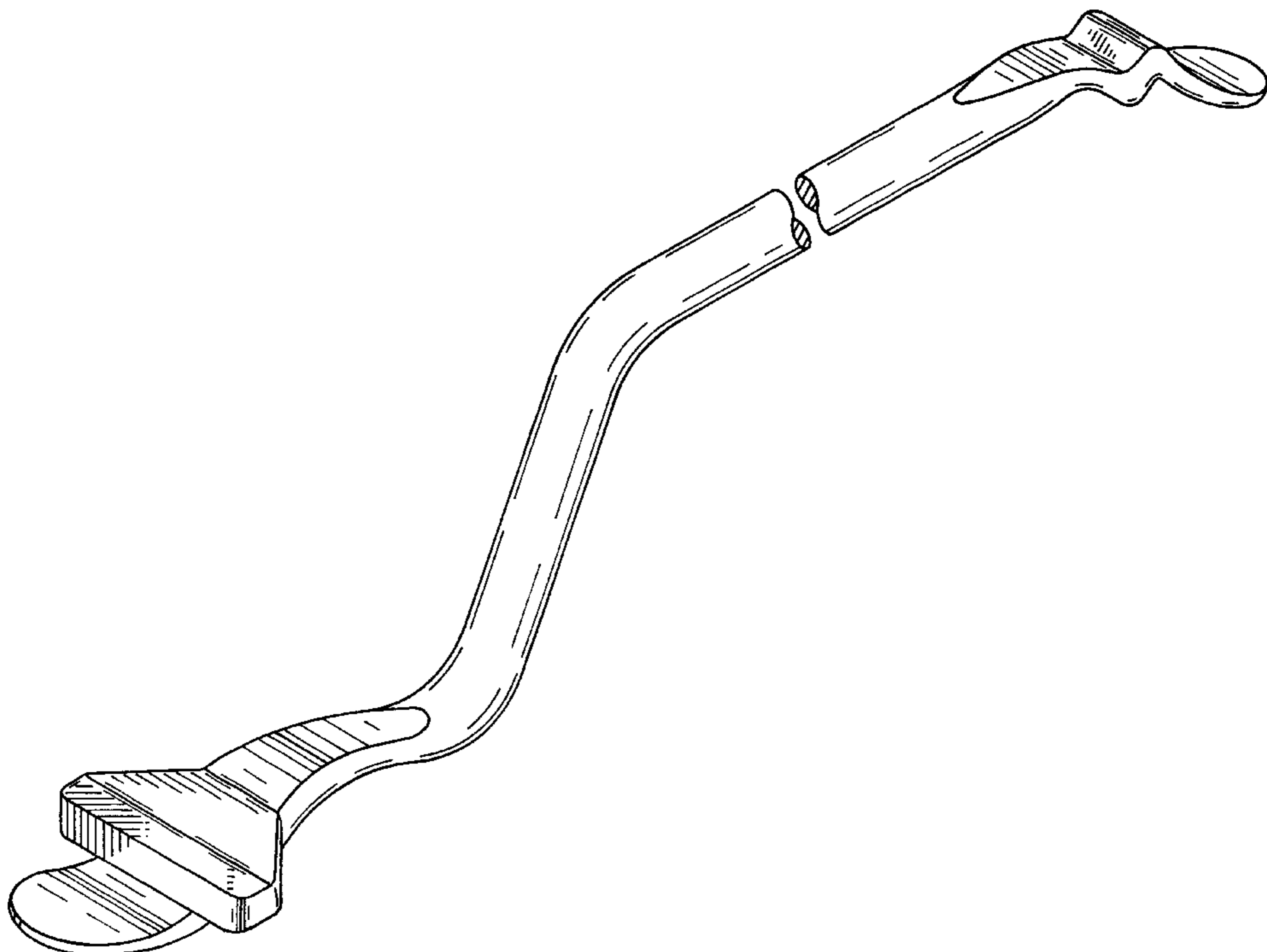
(57) **CLAIM**

The ornamental design for a tire mounting tool, as shown and described.

DESCRIPTION

FIG. 1 is a front elevational view of a tire mounting tool according to the present invention.
 FIG. 2 is a right side elevational view thereof, the left side being a mirror image thereof.
 FIG. 3 is an enlarged front perspective view thereof showing the tool having indeterminate length.
 FIG. 4 is a front elevational view of a tire mounting tool according to the present invention that has been enlarged to show detail and showing the tool having indeterminate length.
 FIG. 5 is a right side elevational view thereof, the left side elevational view being a mirror image thereof.
 FIG. 6 is a rear elevational view thereof.
 FIG. 7 is a top plan view thereof; and,
 FIG. 8 is a bottom plan view thereof.

1 Claim, 4 Drawing Sheets



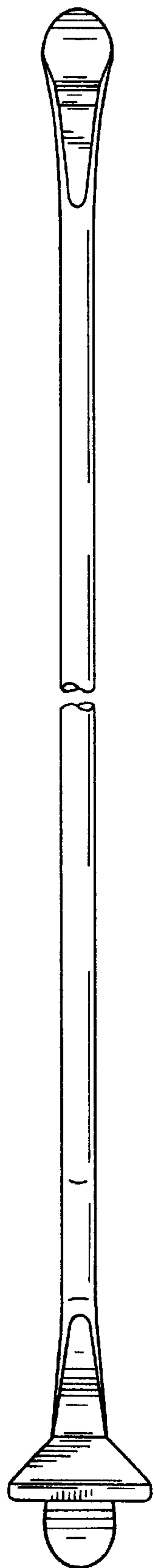


FIG. 1

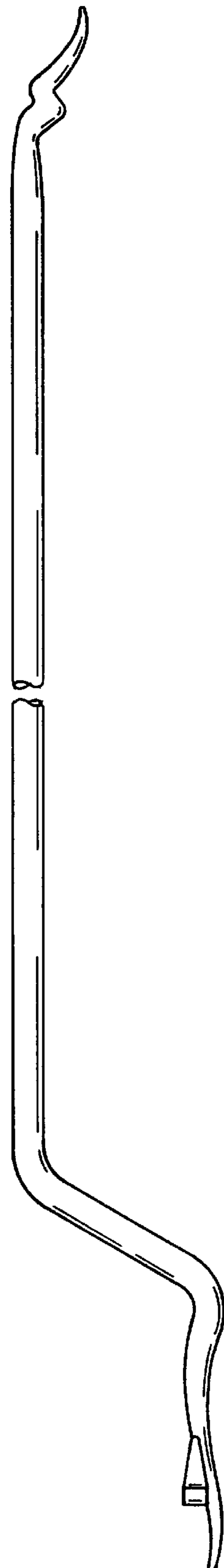


FIG. 2

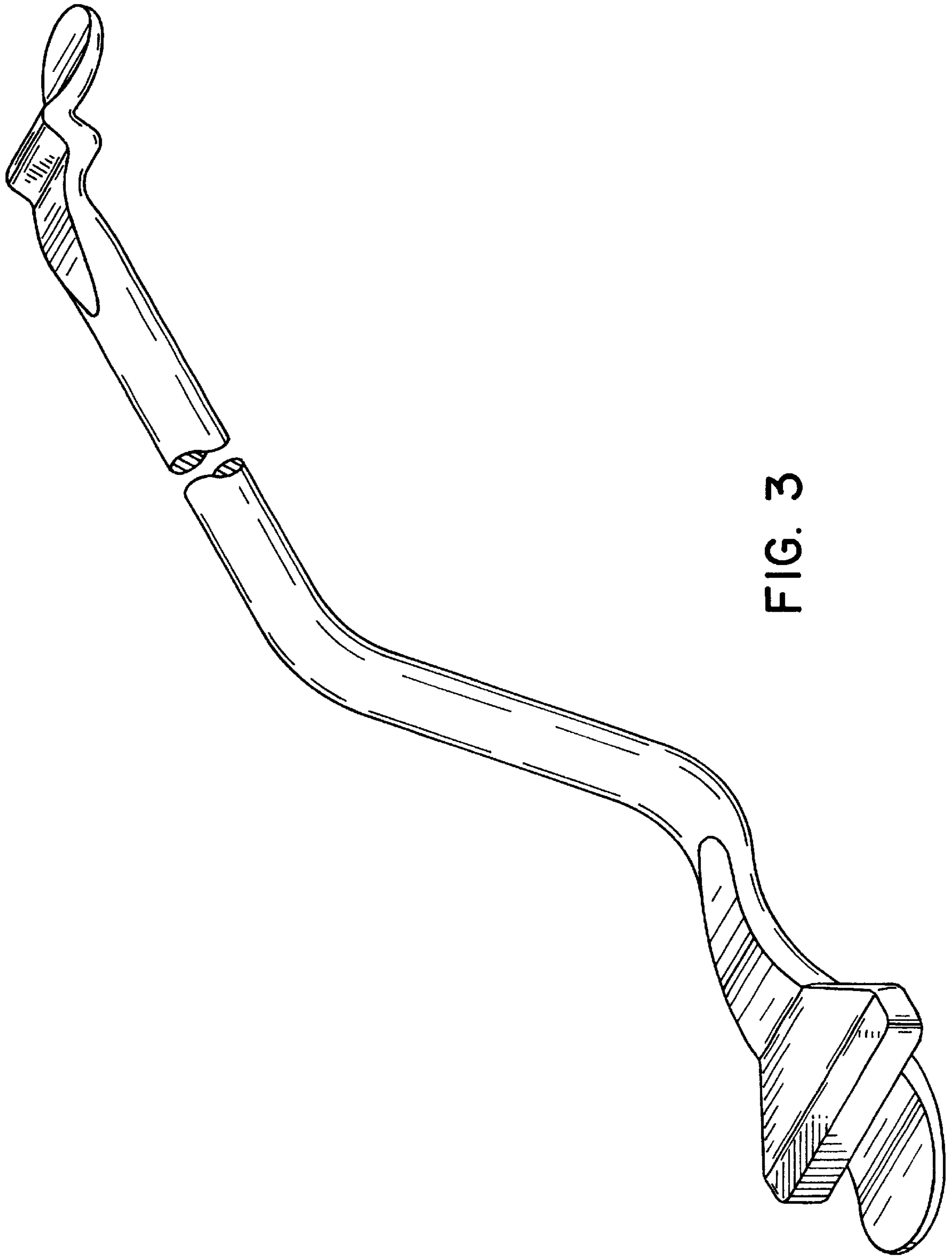


FIG. 3

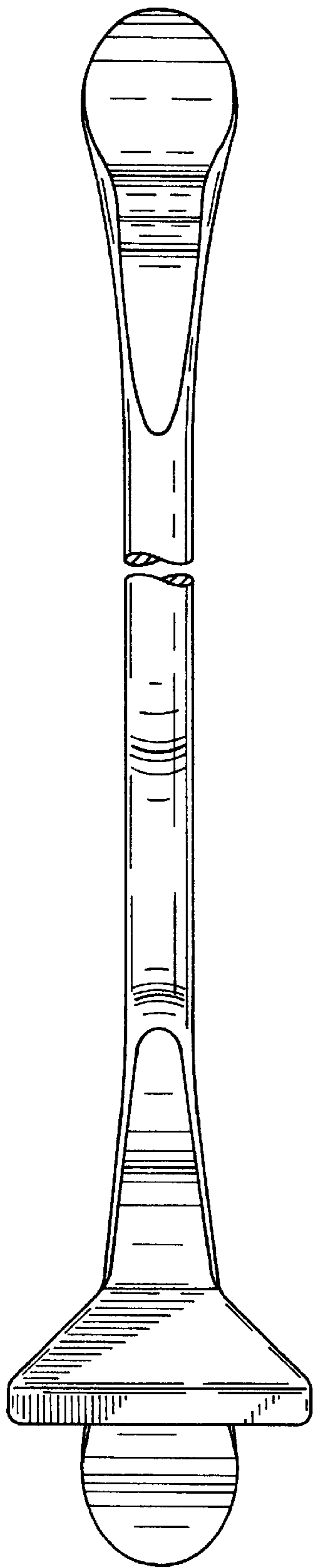


FIG. 4

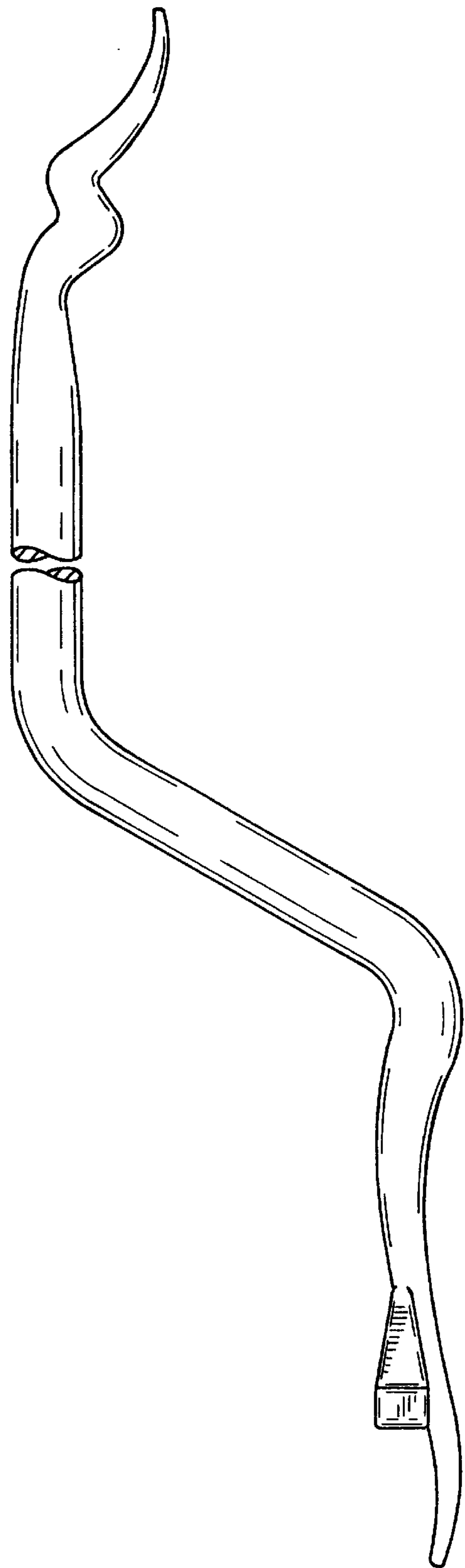


FIG. 5

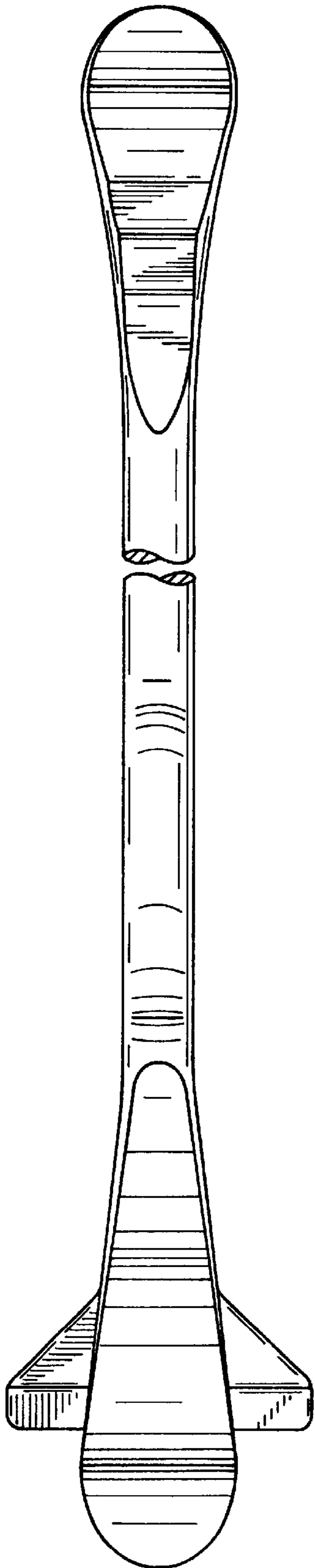


FIG. 6

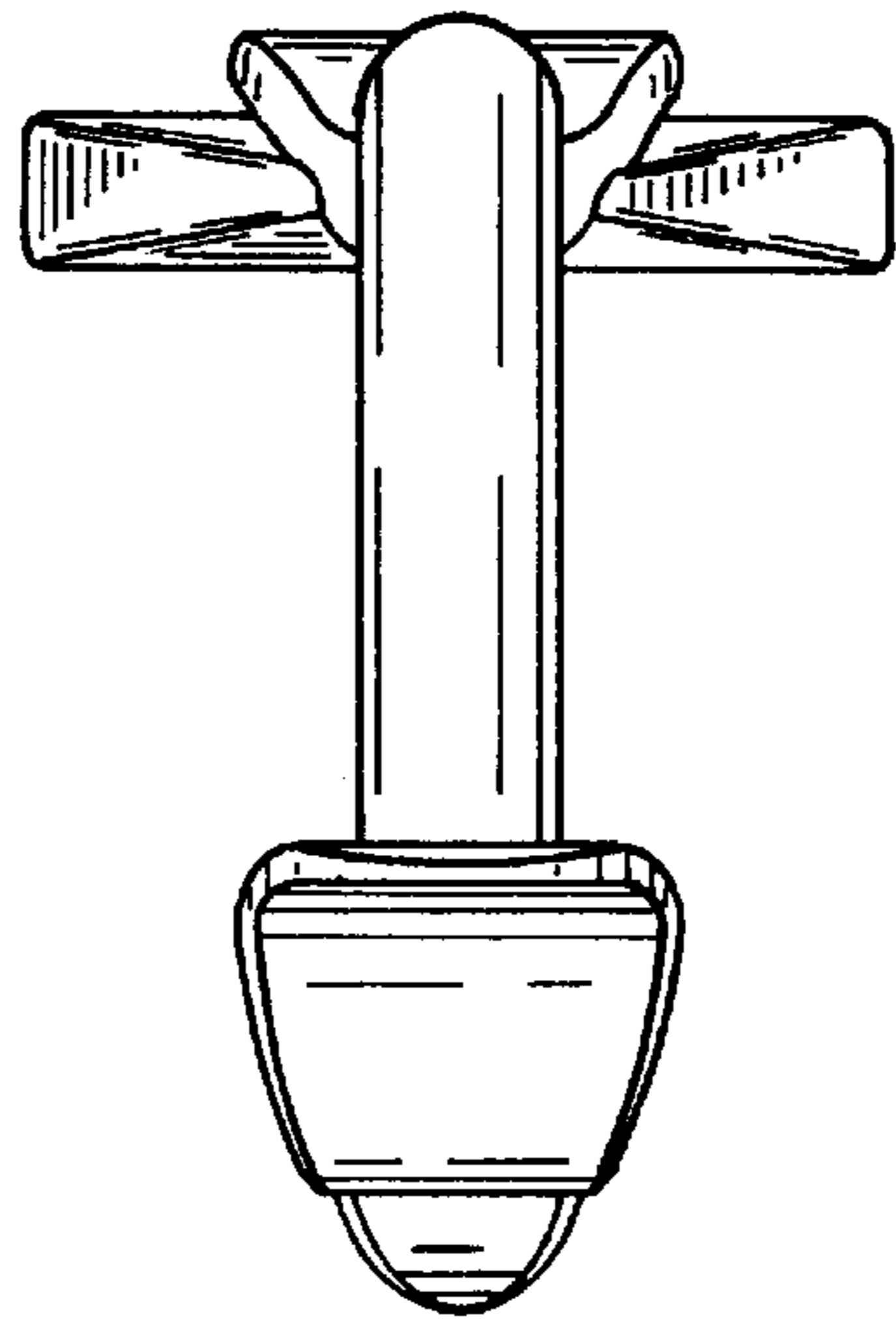


FIG. 7

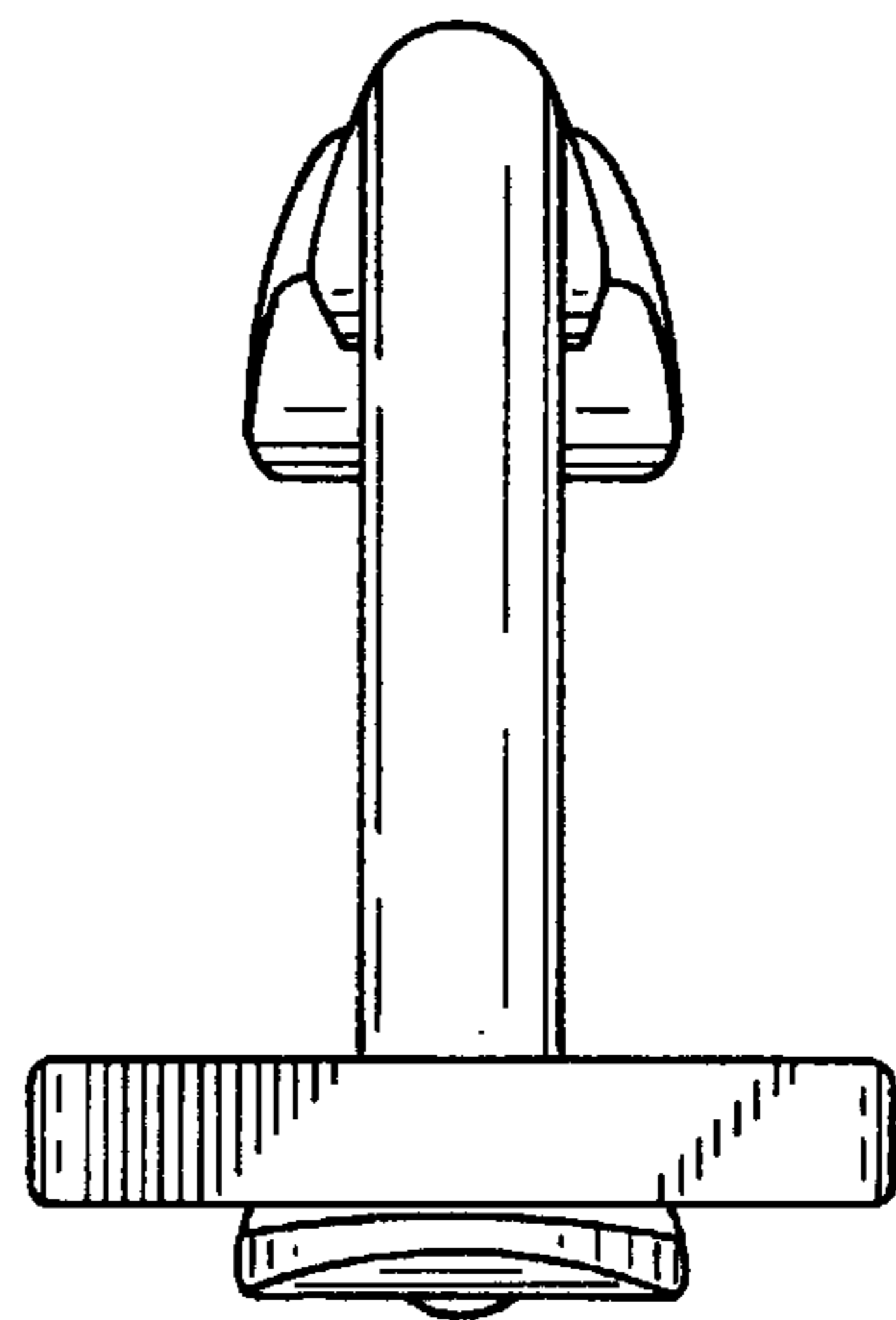


FIG. 8