



US00D487680S

(12) **United States Design Patent**  
**Sickler et al.**

(10) **Patent No.:** **US D487,680 S**

(45) **Date of Patent:** **\*\* Mar. 23, 2004**

(54) **TELESCOPING SNOW SHOVEL**

(75) Inventors: **Vicki Sickler**, Emporia, KS (US);  
**Gregory S. Phillips**, Emporia, KS (US)

(73) Assignee: **Hopkins Manufacturing Corporation**,  
Emporia, KS (US)

(\*\*) Term: **14 Years**

(21) Appl. No.: **29/183,135**

(22) Filed: **Jun. 5, 2003**

(51) **LOC (7) Cl.** ..... **08-01**

(52) **U.S. Cl.** ..... **D8/10**

(58) **Field of Search** ..... D8/10; 294/49,  
294/54.5, 55

(56) **References Cited**

**U.S. PATENT DOCUMENTS**

D360,564 S \* 7/1995 Tisbo et al. .... D8/10  
5,533,768 A \* 7/1996 Mitchell ..... 294/54.5

D397,005 S \* 8/1998 Whitehead et al. .... D8/10

\* cited by examiner

*Primary Examiner*—Holly Baynham

(74) *Attorney, Agent, or Firm*—Hovey Williams LLP

(57) **CLAIM**

The ornamental design for a telescoping snow shovel, as shown and described.

**DESCRIPTION**

FIG. 1 is an isometric view of the telescoping snow shovel showing a new design;

FIG. 2 is a plan view of the telescoping snow shovel;

FIG. 3 is a left side elevational view of the telescoping snow shovel;

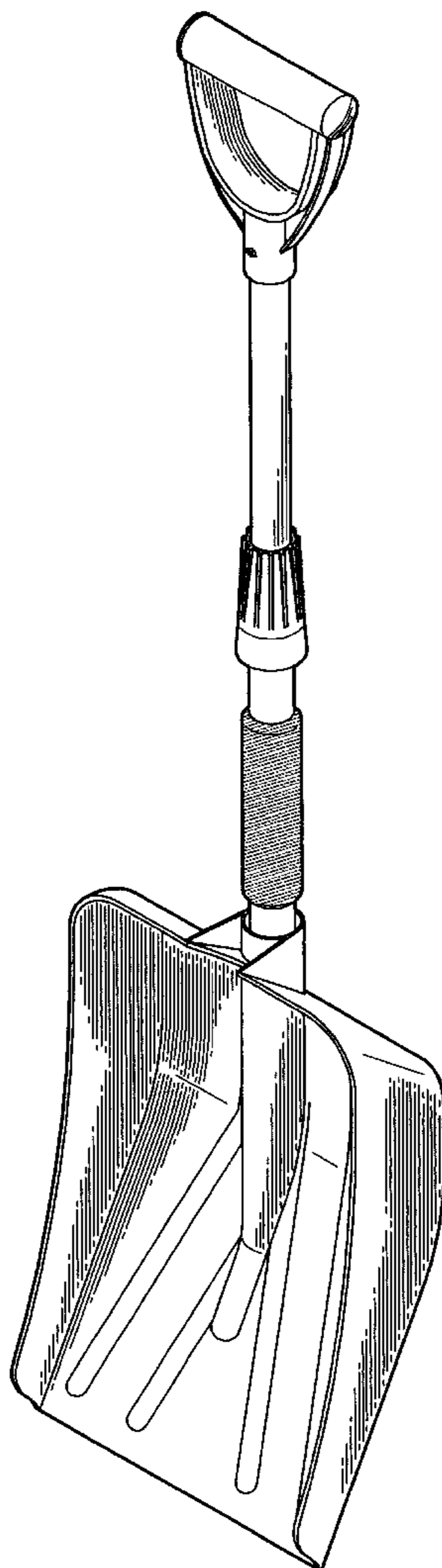
FIG. 4 is a bottom view of the telescoping snow shovel;

FIG. 5 is a right side elevational view of the telescoping snow shovel;

FIG. 6 is a rear end view of the telescoping snow shovel; and,

FIG. 7 is a front end view of the telescoping snow shovel.

**1 Claim, 4 Drawing Sheets**



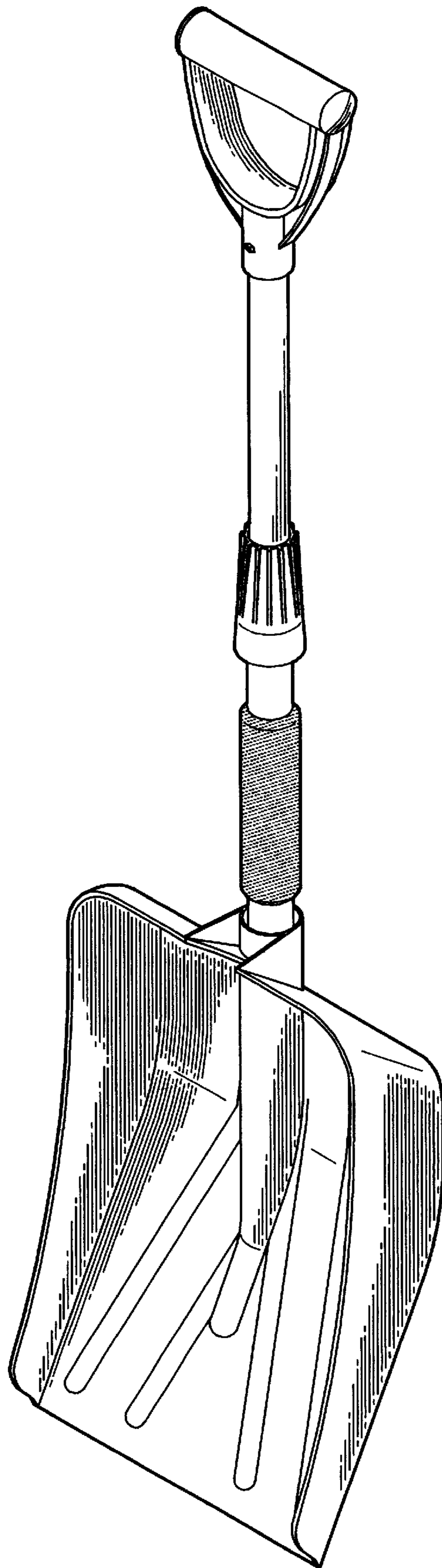


FIG. 1

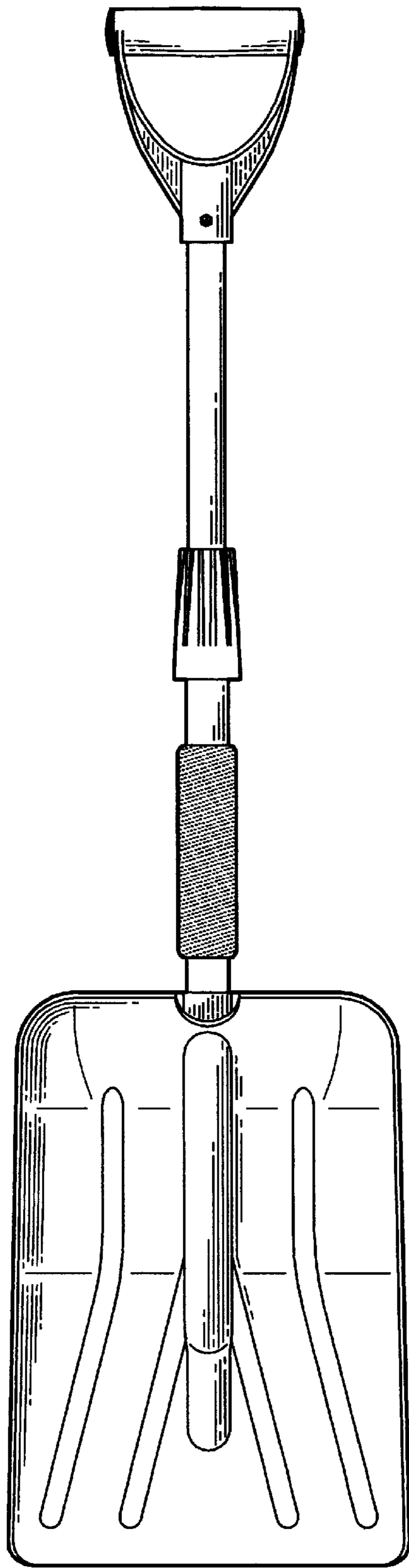


FIG. 2

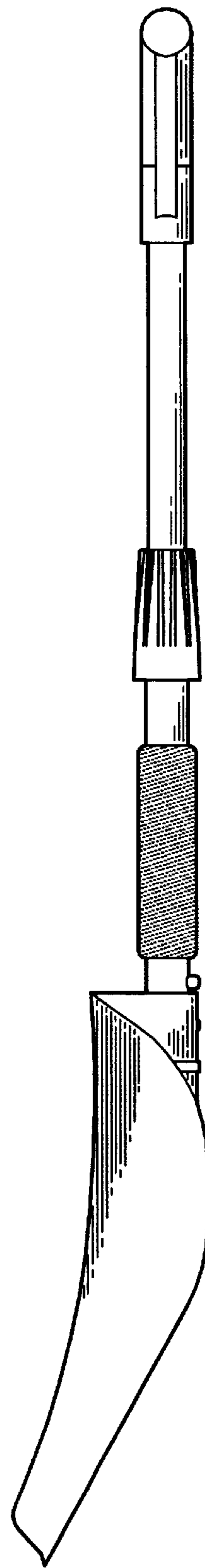


FIG. 3

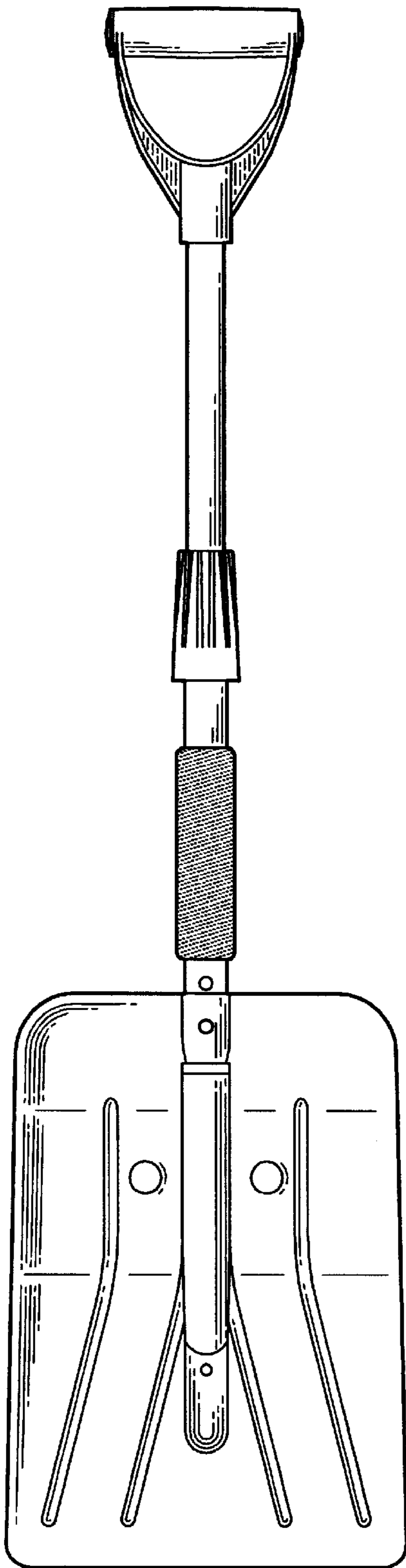


FIG. 4

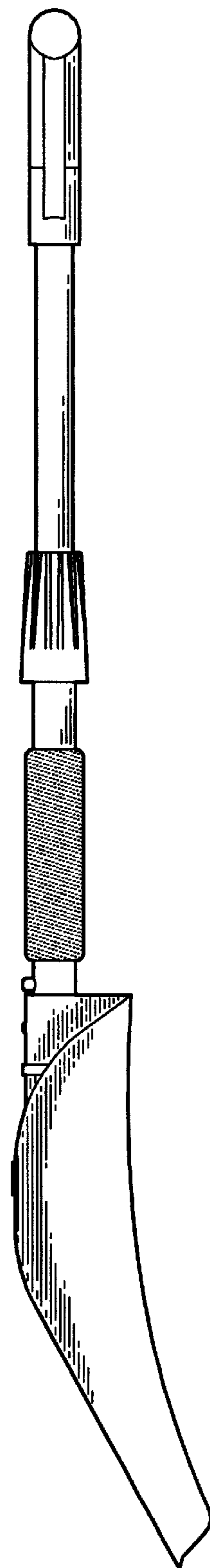


FIG. 5

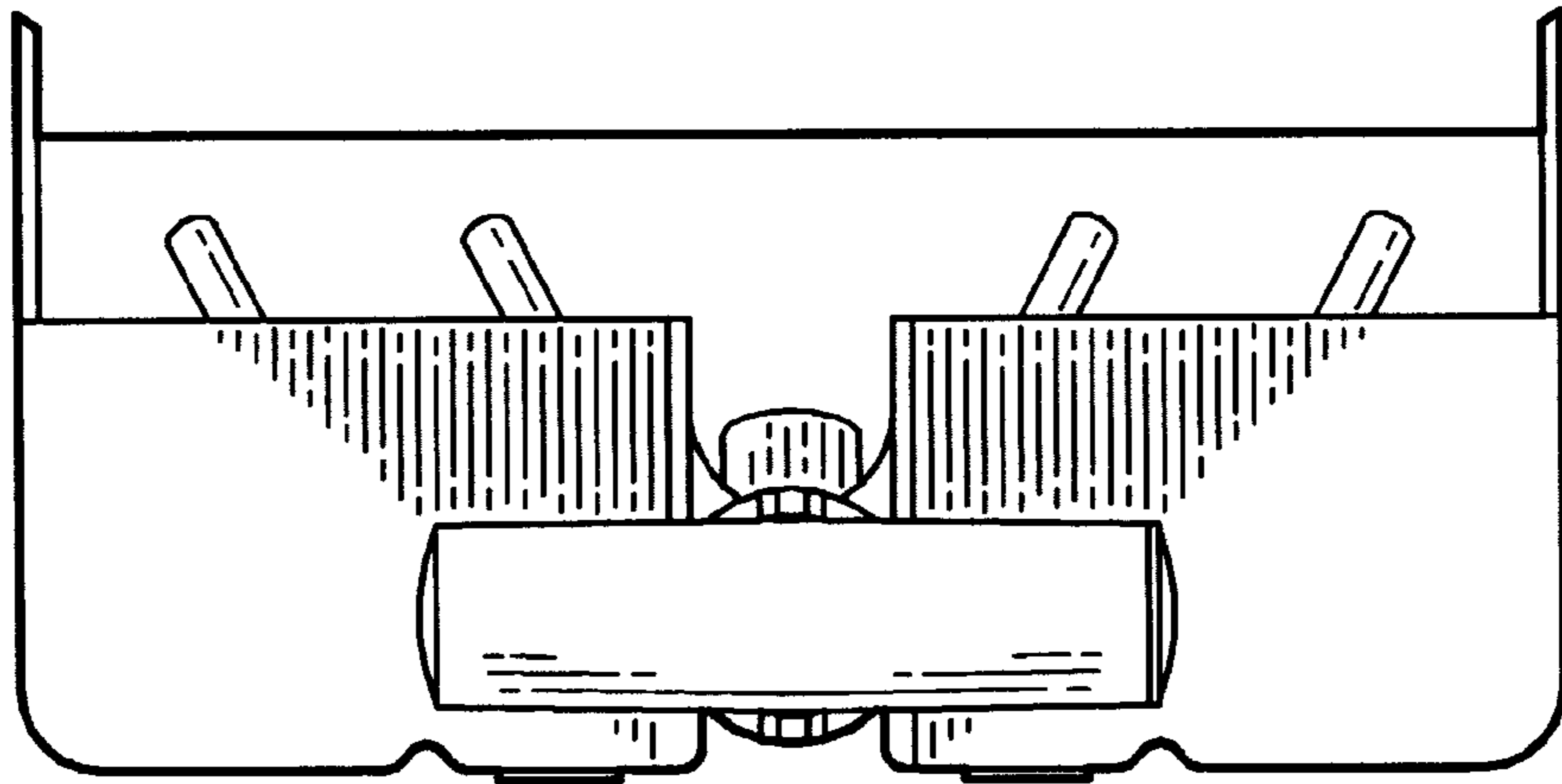


FIG. 6

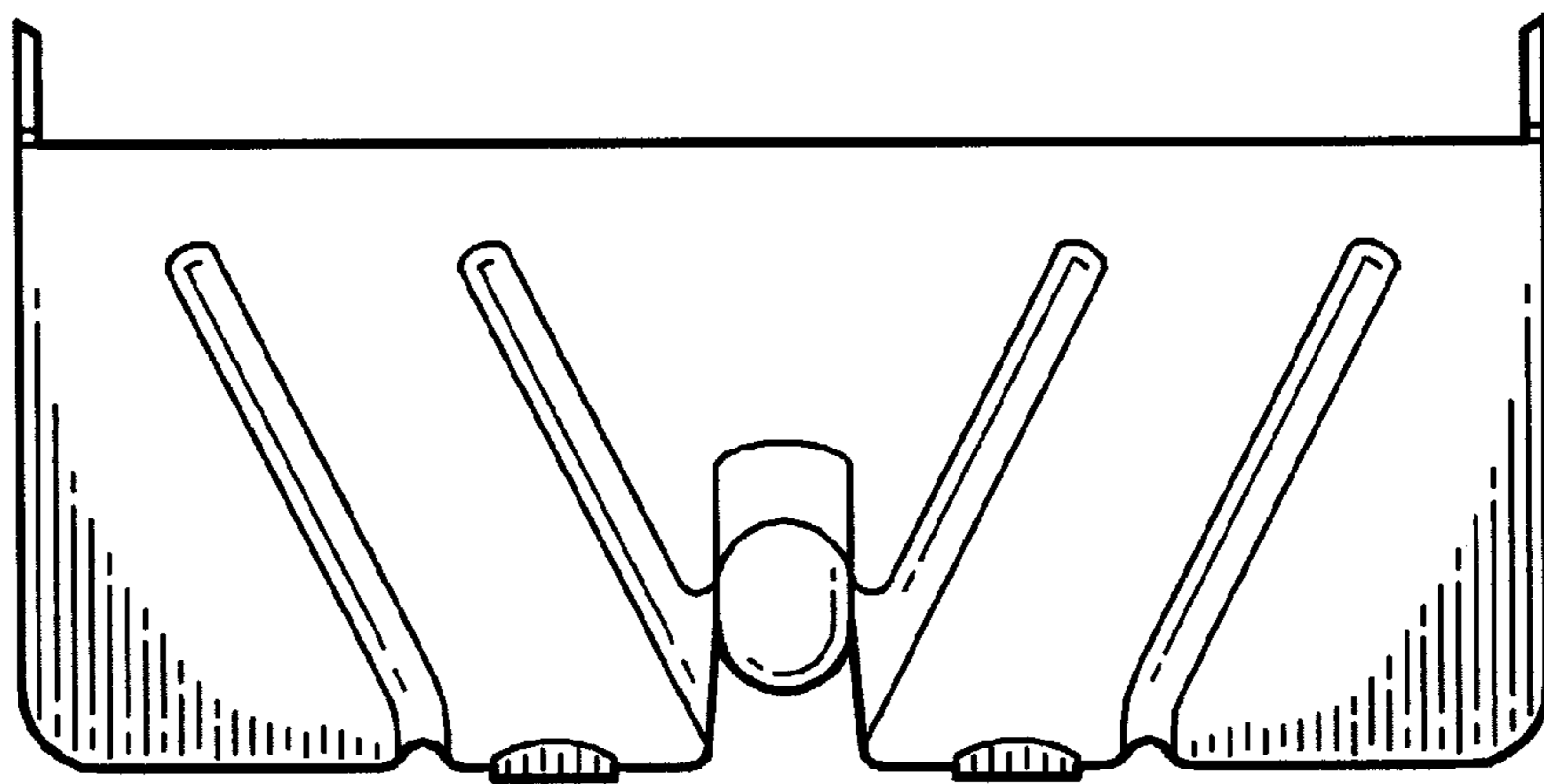


FIG. 7