



US00D487674S

(12) **United States Design Patent**
Robins

(10) **Patent No.:** **US D487,674 S**

(45) **Date of Patent:** **** Mar. 23, 2004**

(54) **JUICE EXTRACTOR**

D439,808 S * 4/2001 McClean et al. D7/665

* cited by examiner

(76) Inventor: **Bertrand G. Robins**, 3238 40th Ave.,
SW., Seattle, WA (US) 98116

Primary Examiner—Terry A. Wallace

(74) *Attorney, Agent, or Firm*—Todd N. Hathaway

(**) Term: **14 Years**

(57) **CLAIM**

(21) Appl. No.: **29/179,138**

The ornamental design for a juice extractor, as shown and described.

(22) Filed: **Apr. 4, 2003**

DESCRIPTION

(51) **LOC (7) Cl.** **31-00**

FIG. 1 is a front, perspective view of a juice extractor showing my new design;

(52) **U.S. Cl.** **D7/665**

FIG. 2 is a rear elevational view thereof;
FIG. 3 is a front elevational view thereof;
FIG. 4 is a right-side elevational view thereof;
FIG. 5 is a left-side, elevational view thereof;
FIG. 6 is a rear elevational view thereof;
FIG. 7 is a top plan view thereof; and,
FIG. 8 is a bottom plan view thereof.

(58) **Field of Search** D7/665, 666; 99/495,
99/499, 501–508, 509–513; 100/107, 110,
125, 131–135, 213, 282, 283; 241/33, 36,
37, 282.2

(56) **References Cited**

U.S. PATENT DOCUMENTS

D118,470 S * 1/1940 Drachenberg D7/665

1 Claim, 8 Drawing Sheets

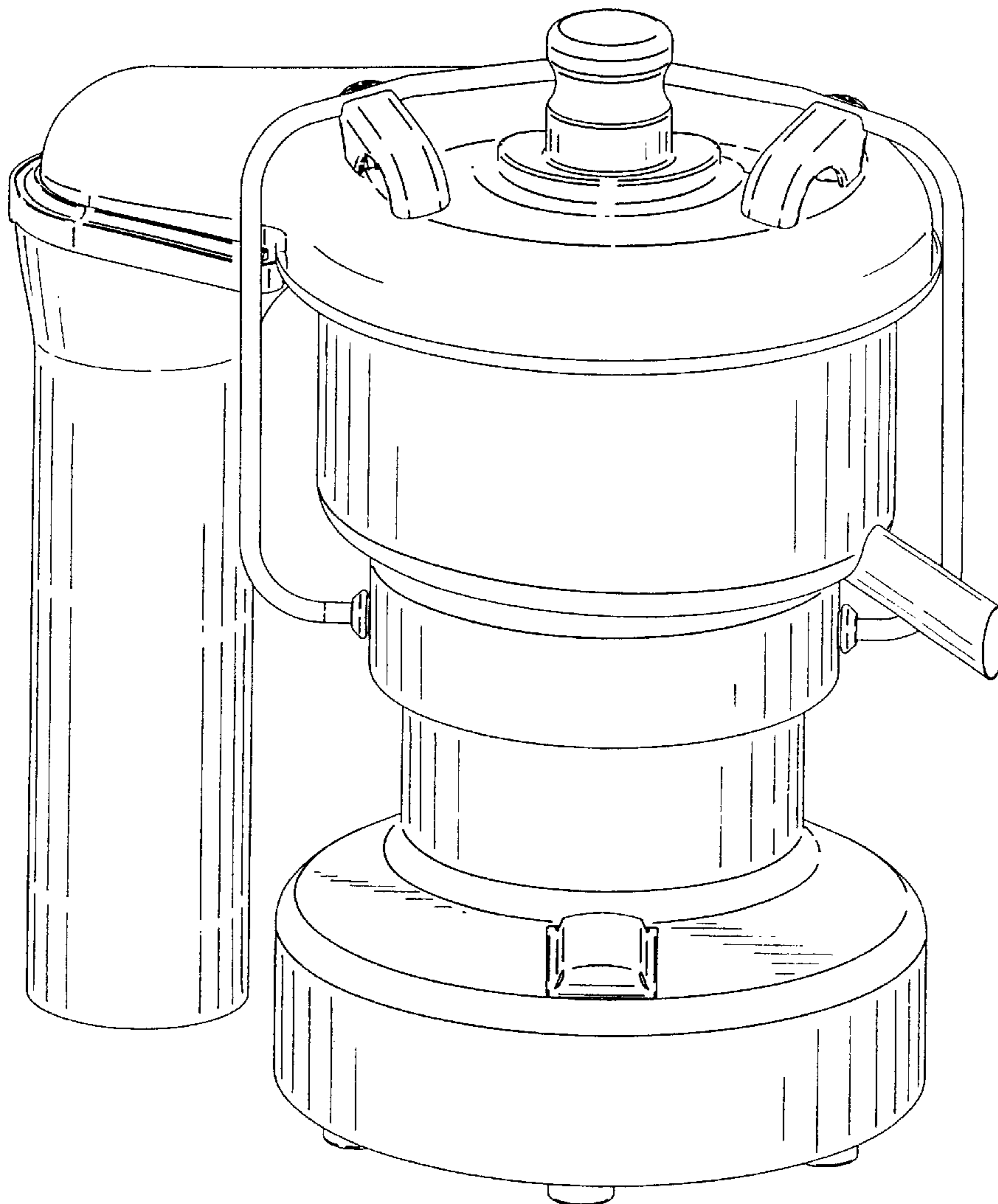


FIG. 1

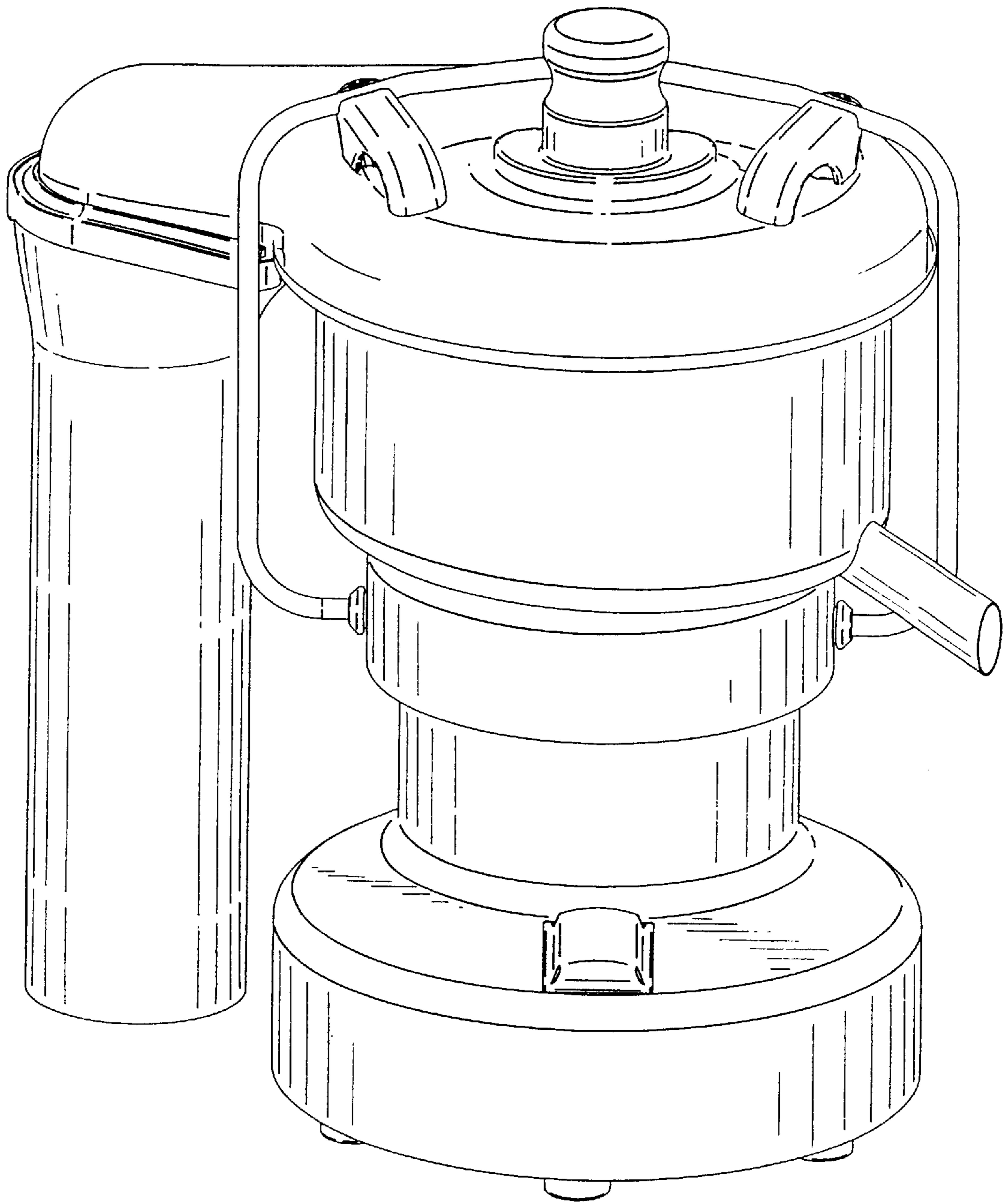


FIG. 2

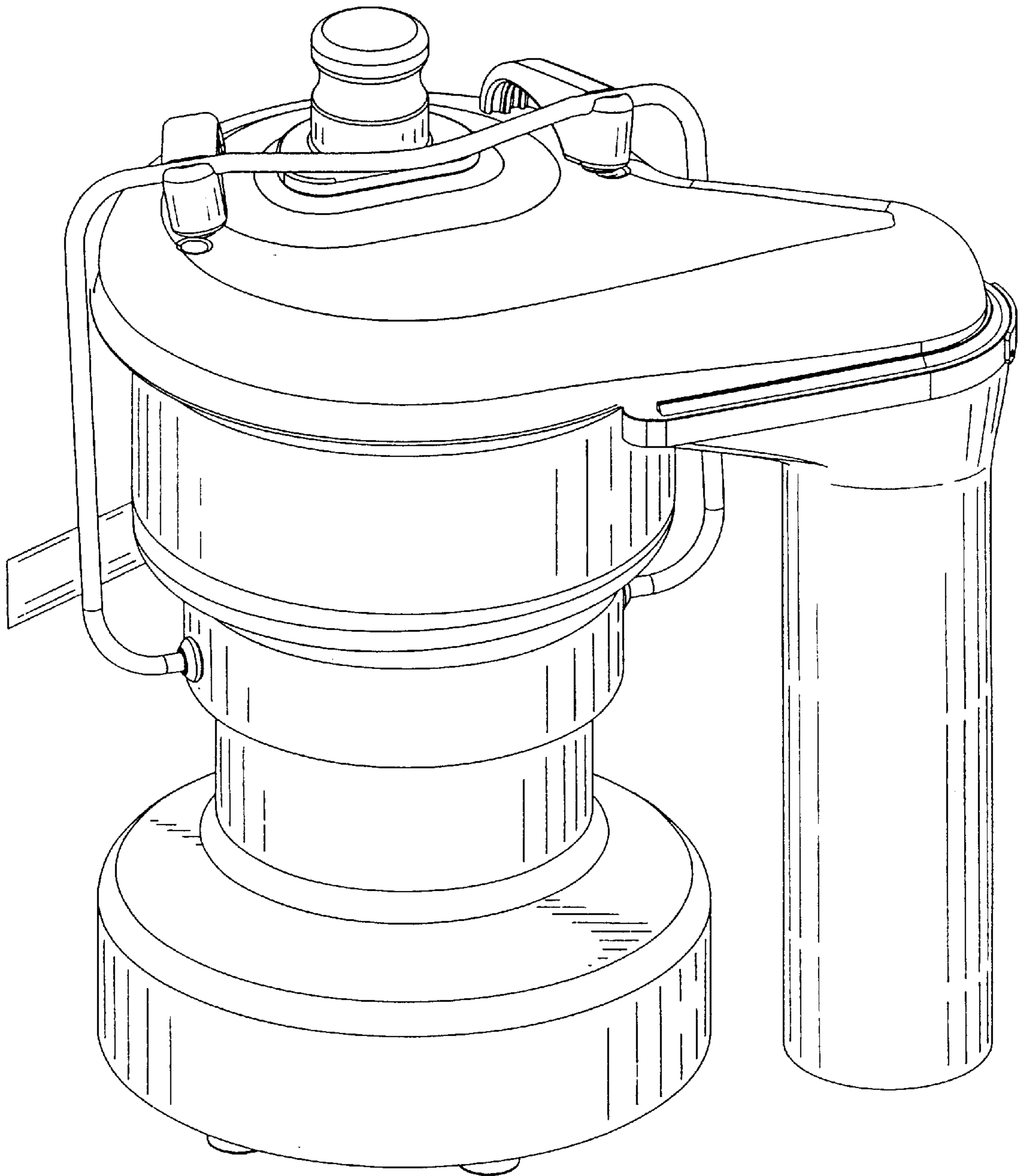


FIG. 3

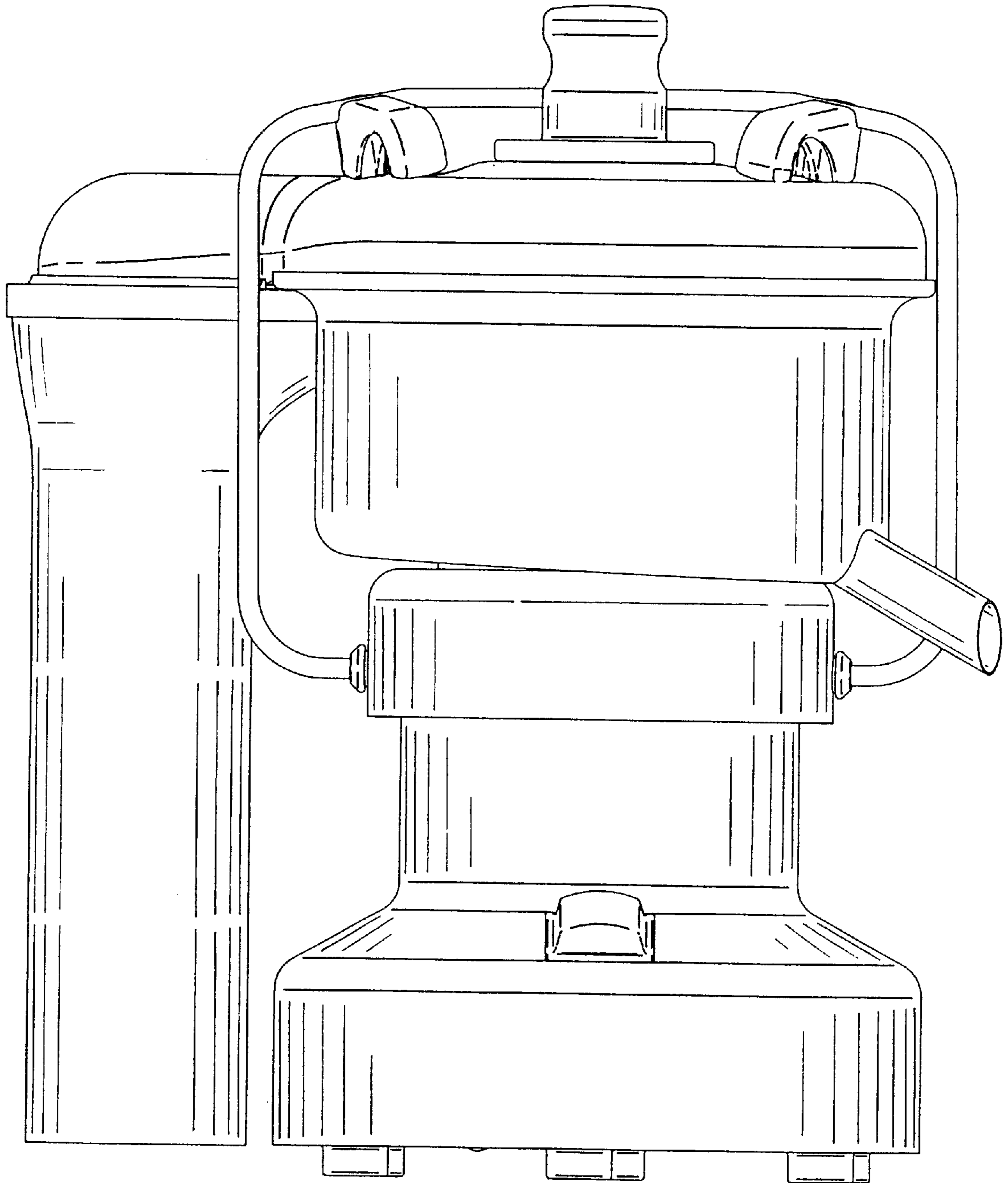


FIG. 4

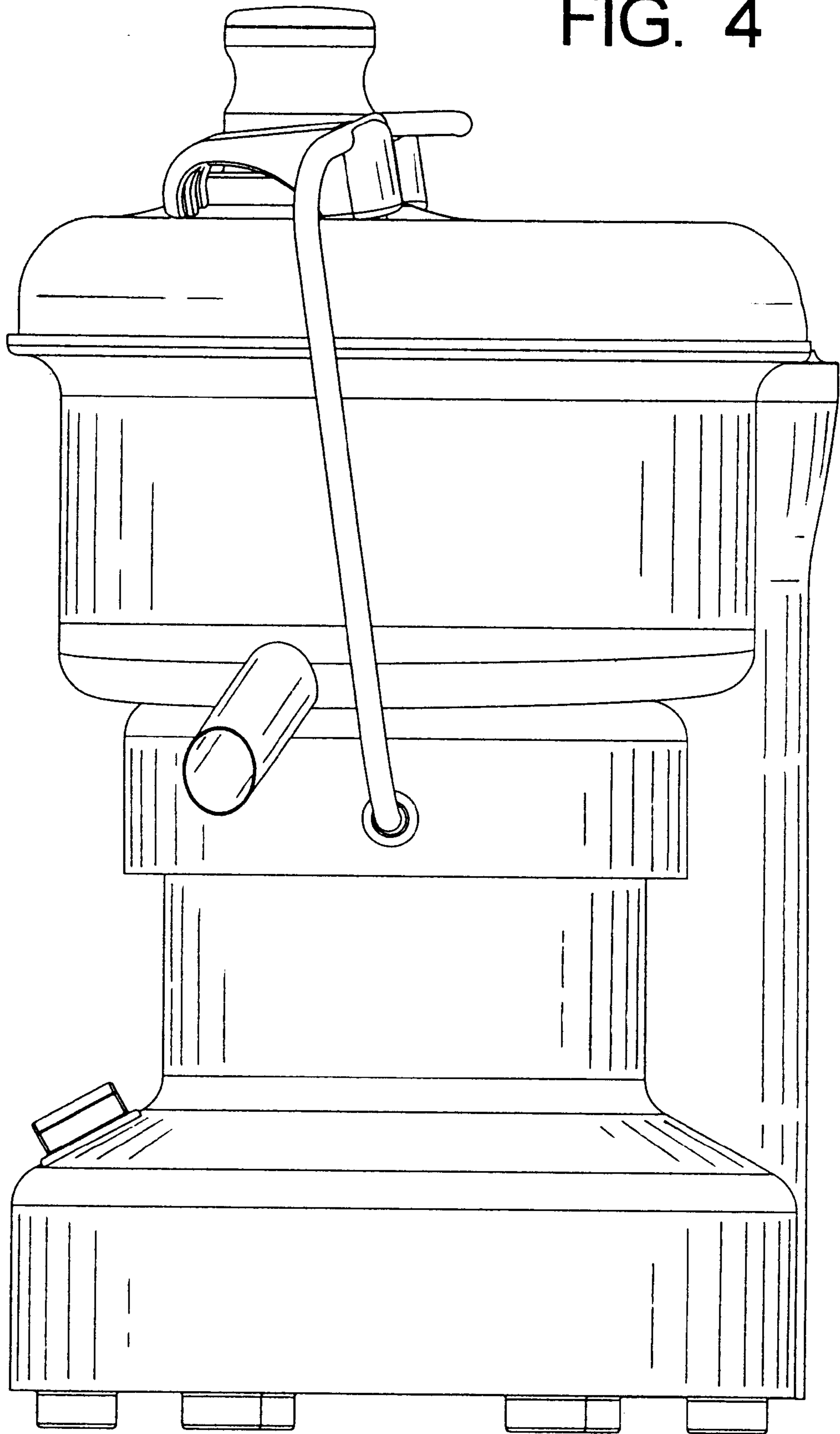


FIG. 5

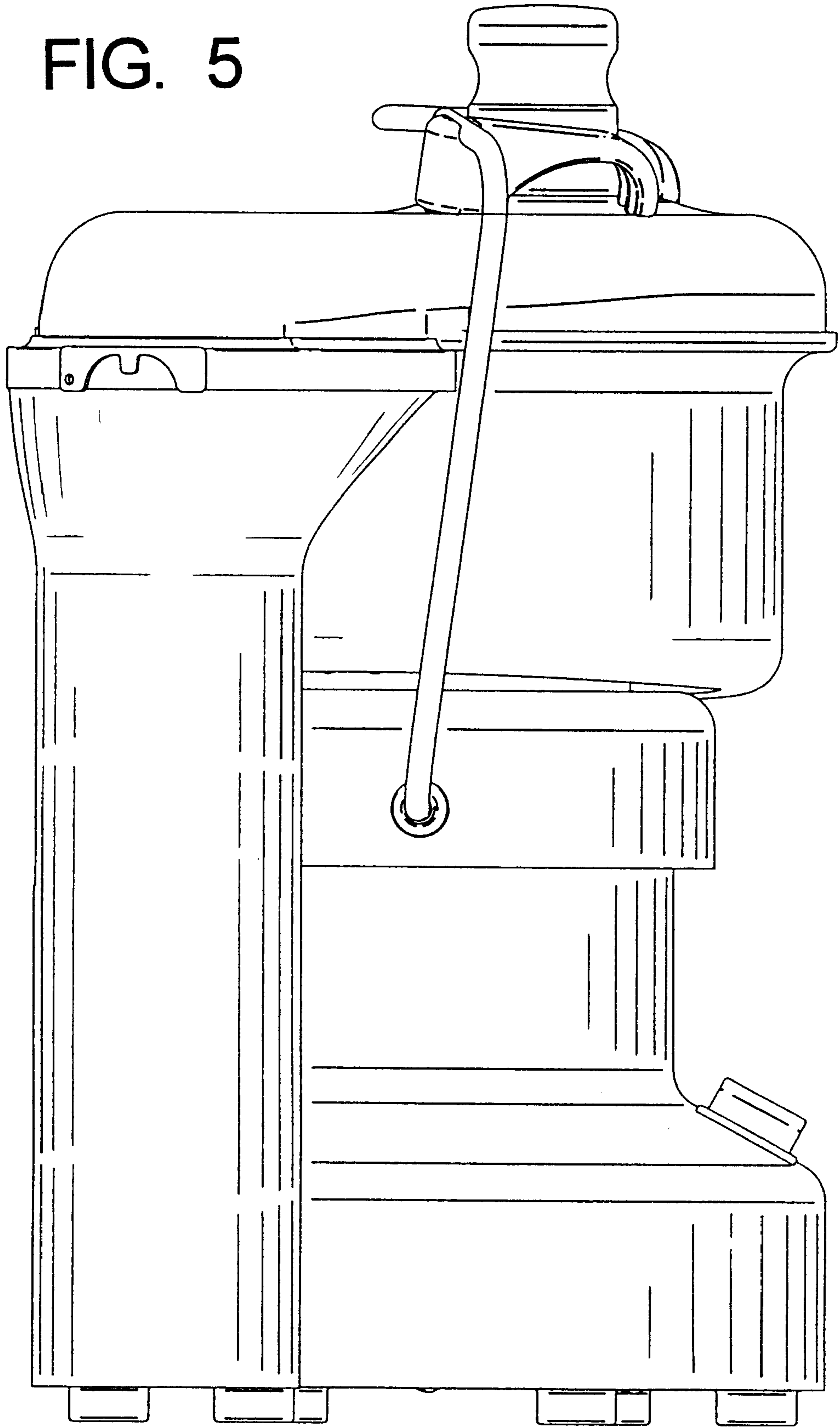


FIG. 6

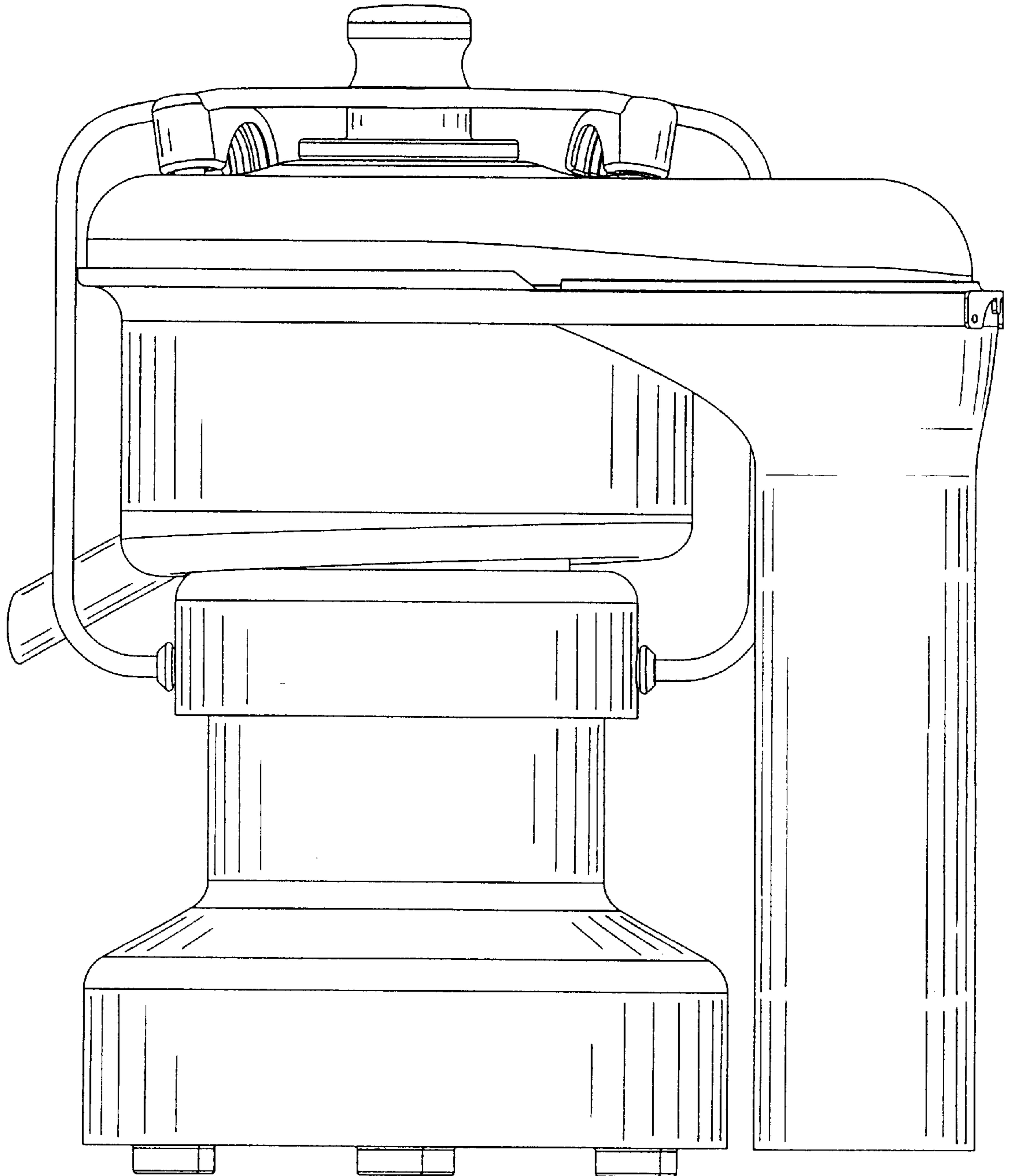


FIG. 7

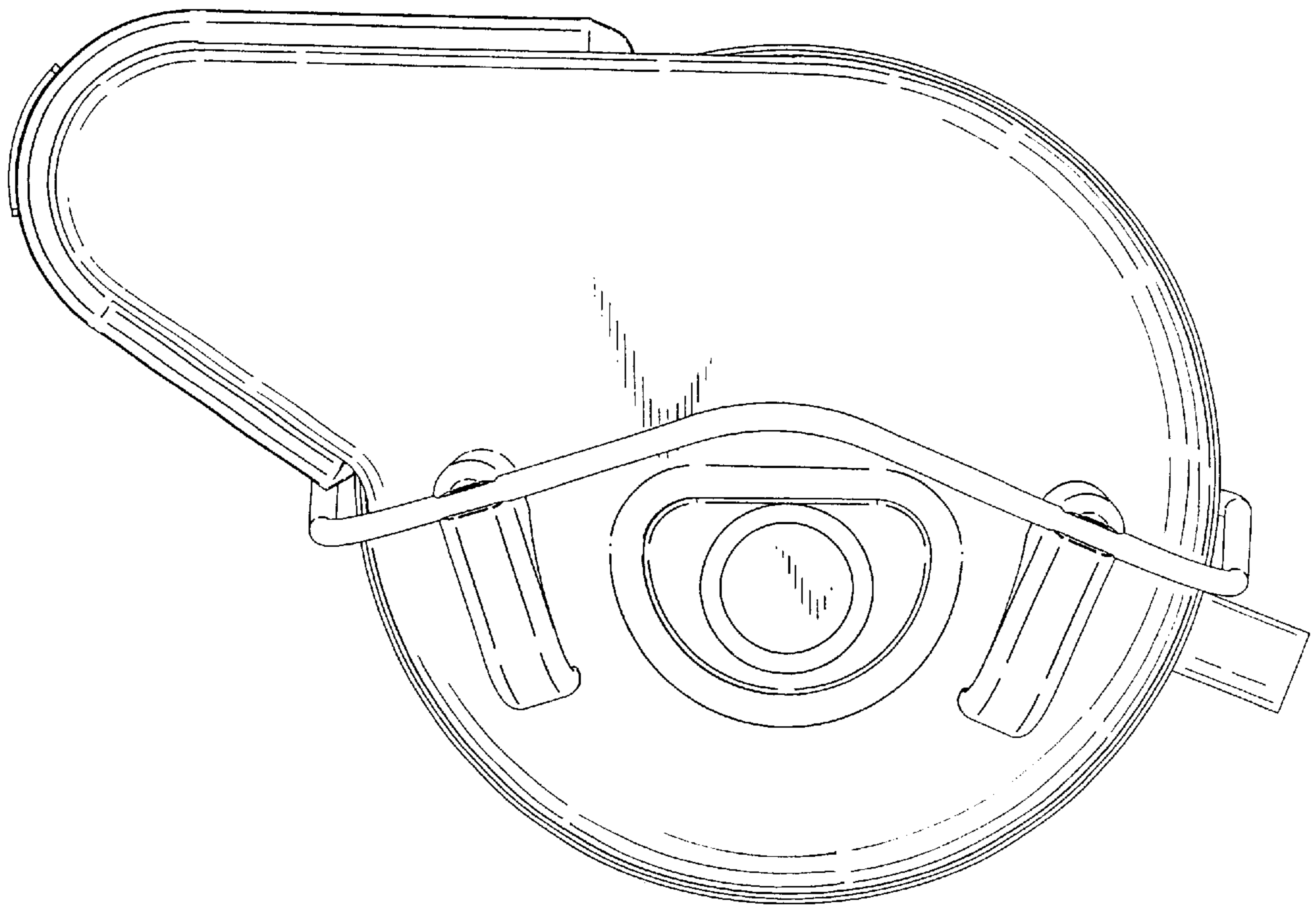


FIG. 8

