



US00D487670S

(12) **United States Design Patent**  
**Moon et al.**

(10) **Patent No.:** **US D487,670 S**

(45) **Date of Patent:** **\*\* Mar. 23, 2004**

(54) **CONTROL PANEL FOR A COUNTER-TOP OVEN**

(75) Inventors: **Jung S. Moon**, Buffalo Grove, IL (US);  
**Rong Liu**, Gurnee, IL (US); **Jong Rok Kim**, Seoul (KR); **Kitak Chae**, Seoul (KR)

(73) Assignee: **Hearthware Home Products, Inc.**,  
Gurnee, IL (US)

(\*\*) Term: **14 Years**

(21) Appl. No.: **29/180,881**

(22) Filed: **May 1, 2003**

(51) **LOC (7) Cl.** ..... **07-02**

(52) **U.S. Cl.** ..... **D7/406**

(58) **Field of Search** ..... D32/1-3, 5-6,  
D32/8, 10, 25, 28; 134/56 R, 57 R, 56 D,  
58 R, 58 D; 68/3 R, 12.27, 12.01, 212;  
34/523, 596, 603; 312/31, 109; D7/349,  
337, 405-6; 126/1 R, 190, 374

(56) **References Cited**

**U.S. PATENT DOCUMENTS**

4,625,097 A \* 11/1986 Miwa ..... 126/374 X

D313,679 S \* 1/1991 Sakamoto ..... D32/6  
D369,514 S \* 5/1996 Baldwin ..... D7/406  
D424,862 S \* 5/2000 Holbrook ..... D7/349  
6,502,265 B2 \* 1/2003 Blair et al. .... 68/12.27 X  
D469,657 S \* 2/2003 Becker et al. .... D7/405

\* cited by examiner

*Primary Examiner*—Louis S. Zarfes

*Assistant Examiner*—Robert A. Delehanty

(74) *Attorney, Agent, or Firm*—Greer, Burns & Crain, Ltd.

(57) **CLAIM**

The ornamental design for a control panel for a counter-top oven, as shown and described.

**DESCRIPTION**

FIG. 1 is a perspective view of a control panel for a counter-top oven of the claimed design.

FIG. 2 is a plan view of the control panel of FIG. 1.

FIG. 3 is a left side view of the control panel of FIG. 1, and the right side is a mirror image thereof; and,

FIG. 4 is a front view of the control panel of FIG. 1.

The broken line showing of a counter top oven is for illustrative purposes only and forms no part of the claimed design.

**1 Claim, 2 Drawing Sheets**

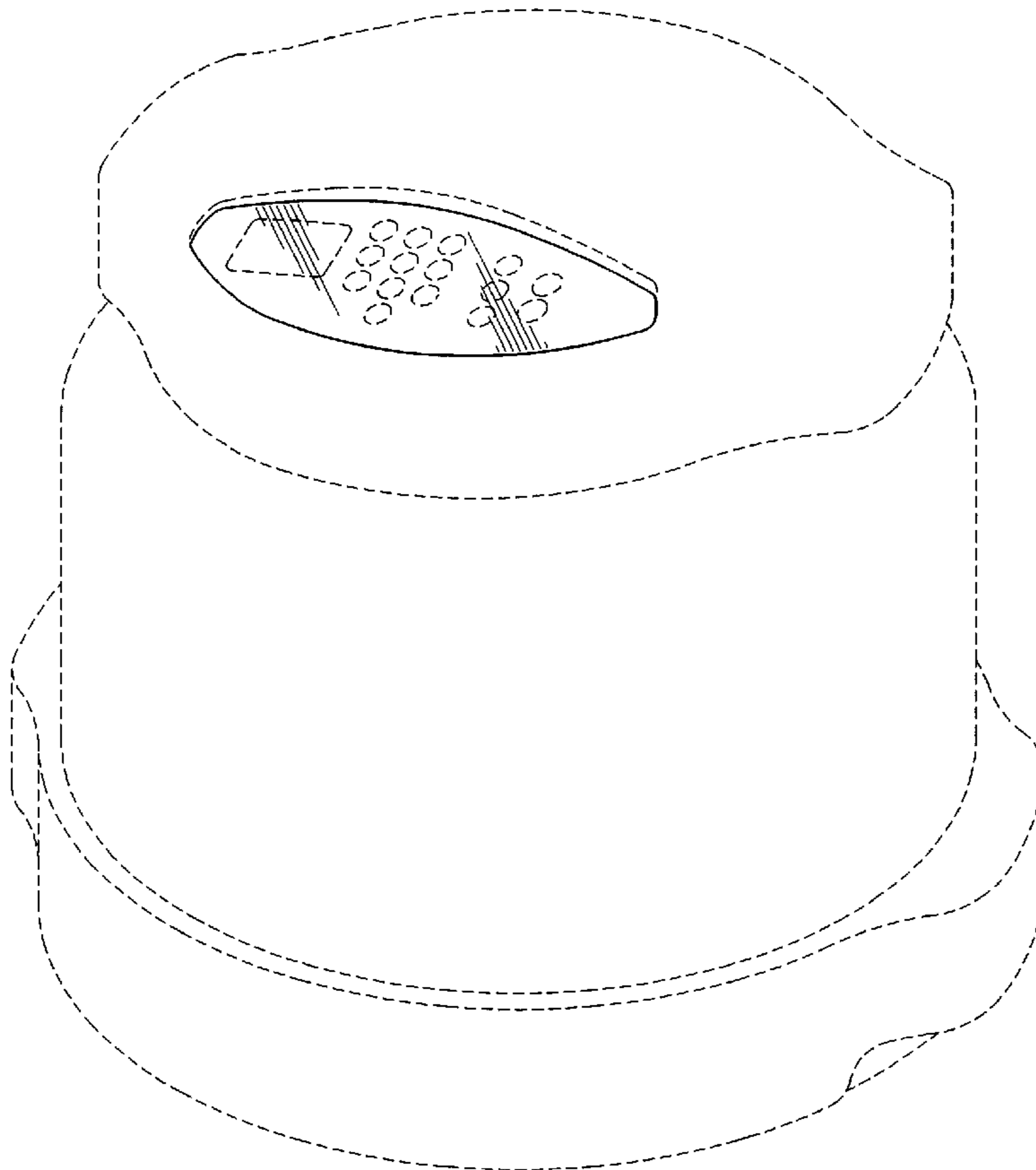


FIG.1

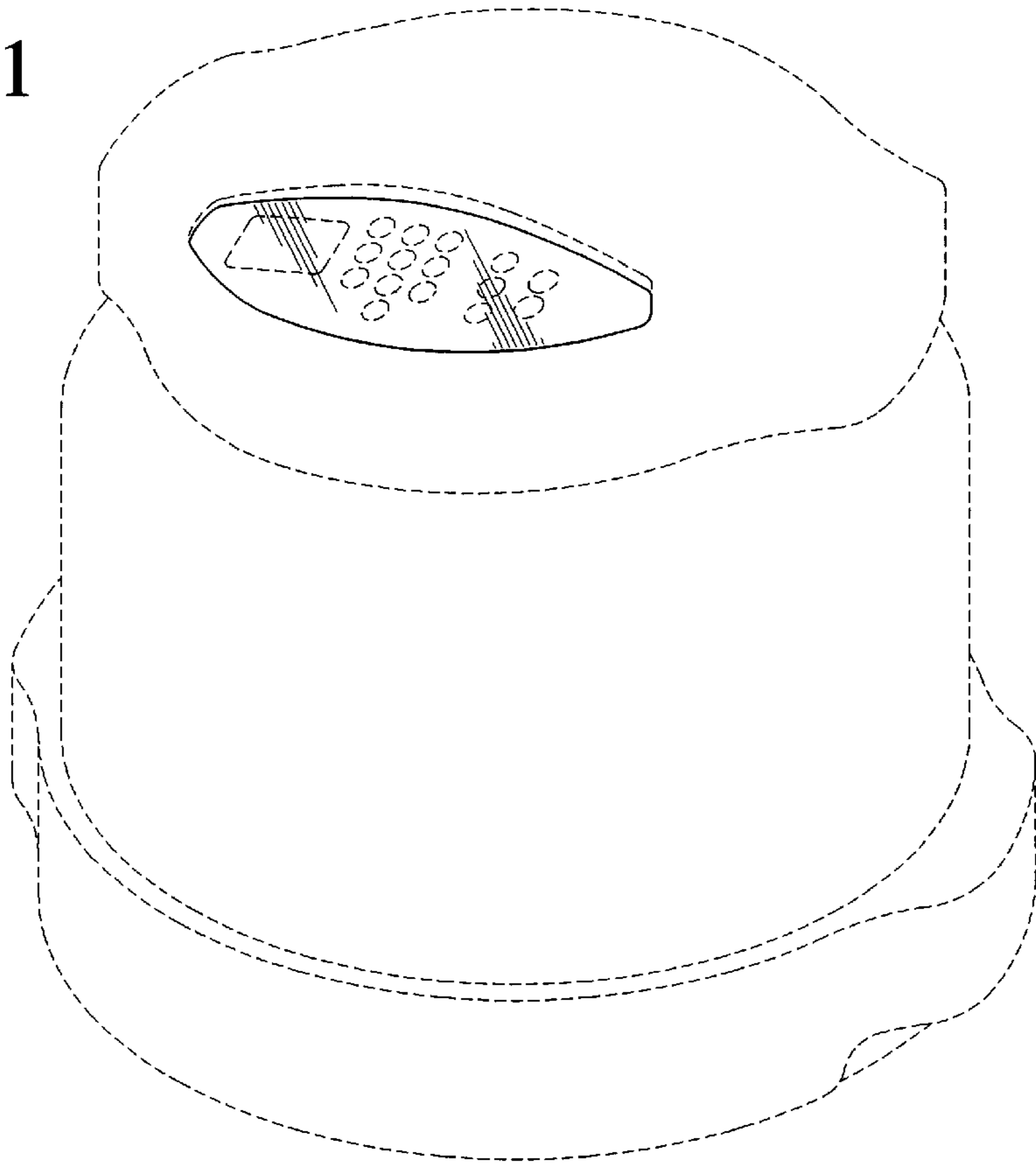


FIG.2

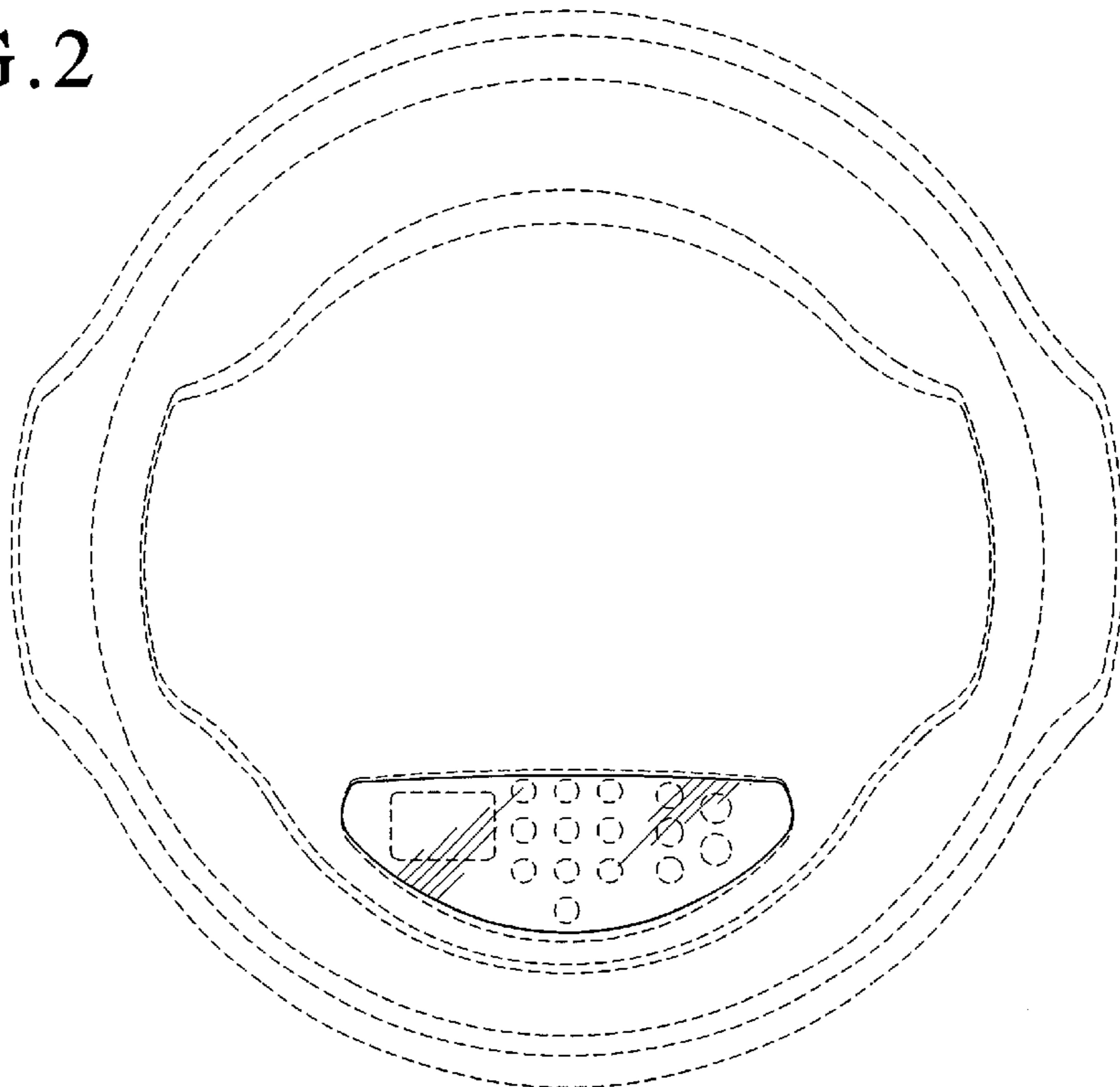


FIG. 3

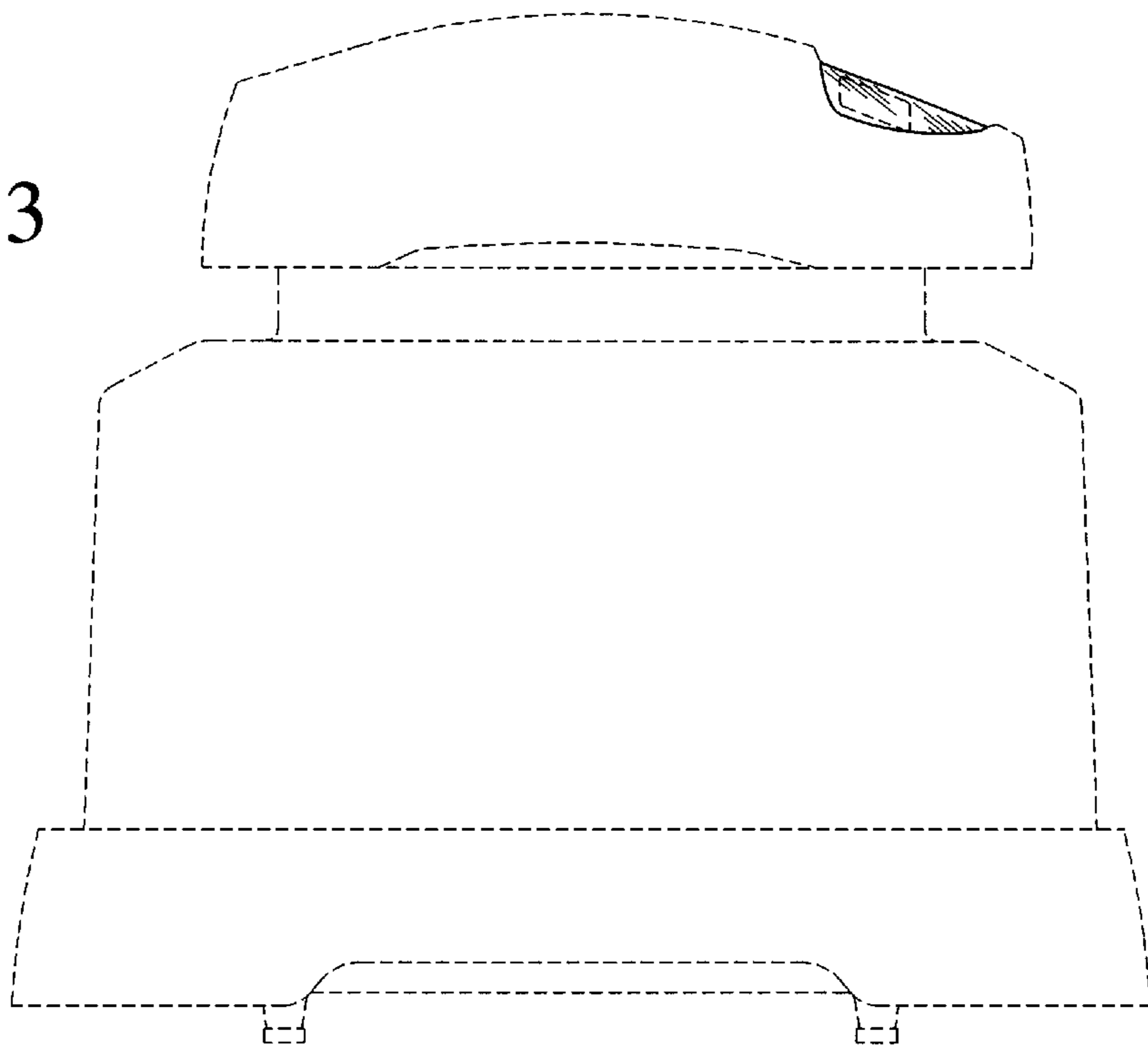


FIG. 4

