



US00D487668S

(12) **United States Design Patent**  
**Sands**

(10) **Patent No.:** **US D487,668 S**

(45) **Date of Patent:** **\*\* Mar. 23, 2004**

(54) **BLENDER AND CANISTER SET**

(75) Inventor: **Lenny Sands**, Encino, CA (US)

(73) Assignee: **Lohan Media LLC**, Los Angeles, CA (US)

(\*\*) Term: **14 Years**

(21) Appl. No.: **29/185,182**

(22) Filed: **Jun. 23, 2003**

(51) **LOC (7) Cl.** ..... **31-00**

(52) **U.S. Cl.** ..... **D7/378**

(58) **Field of Search** ..... D7/319, 376-386, D7/412, 413, 591; 241/30, 33, 37.5, 101.01, 101.2, 168; 366/64-67, 129, 130, 197-207, 241-254, 341, 347, 349

(56) **References Cited**

**U.S. PATENT DOCUMENTS**

D318,398 S	*	7/1991	Disco	.....	D7/378
D320,717 S	*	10/1991	O'Brien	.....	D7/384
D366,595 S	*	1/1996	Dobson et al.	.....	D7/384
D372,835 S	*	8/1996	Leverrier	.....	D7/372
D388,275 S	*	12/1997	Joergensen	.....	D7/319
D403,202 S	*	12/1998	Cousins	.....	D7/378

\* cited by examiner

*Primary Examiner*—Caron D. Veynar

(74) *Attorney, Agent, or Firm*—Cislo & Thomas LLP

(57) **CLAIM**

The ornamental design for a blender and canister set, as shown and described.

**DESCRIPTION**

FIG. 1. Is a top-front perspective of the blender and canister set.

FIG. 2. Is a side elevation of first canister (from left) taken from FIG. 1 at 45 degrees.

FIG. 3 is a side elevation of the second canister (from left) taken from FIG. 1 at 45 degrees;

FIG. 4 is a side elevation view of the blender and third canister (from left) taken from FIG. 1 at 45 degrees;

FIG. 5 is a side elevation view of the fourth canister (from left) taken from FIG. 1 at 45 degrees;

FIG. 6 is a rear elevation of the blender and third canister taken from FIG. 1;

FIG. 7. Is a top plan view of first canister.

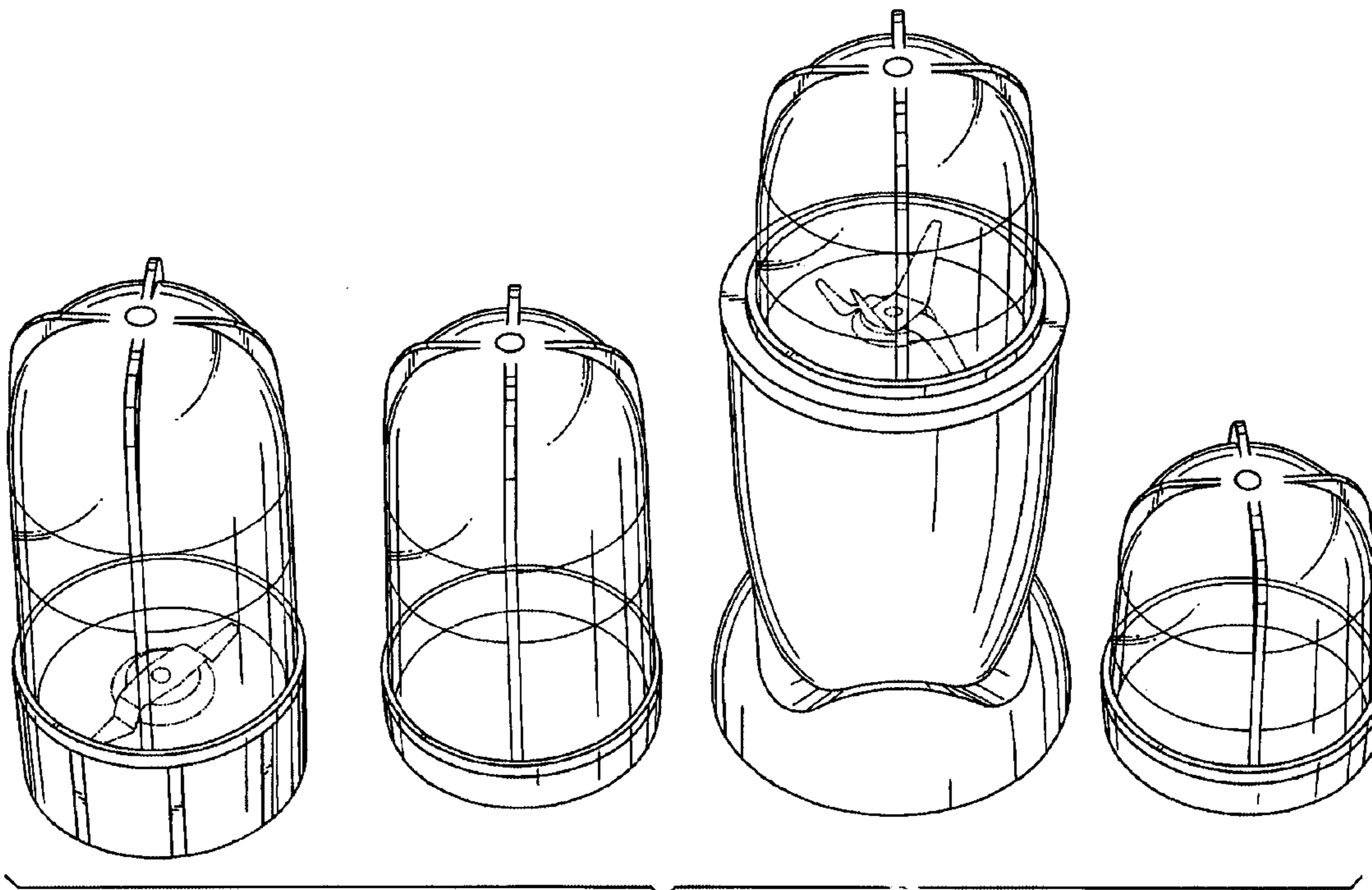
FIG. 8. Is a top plan view of second canister.

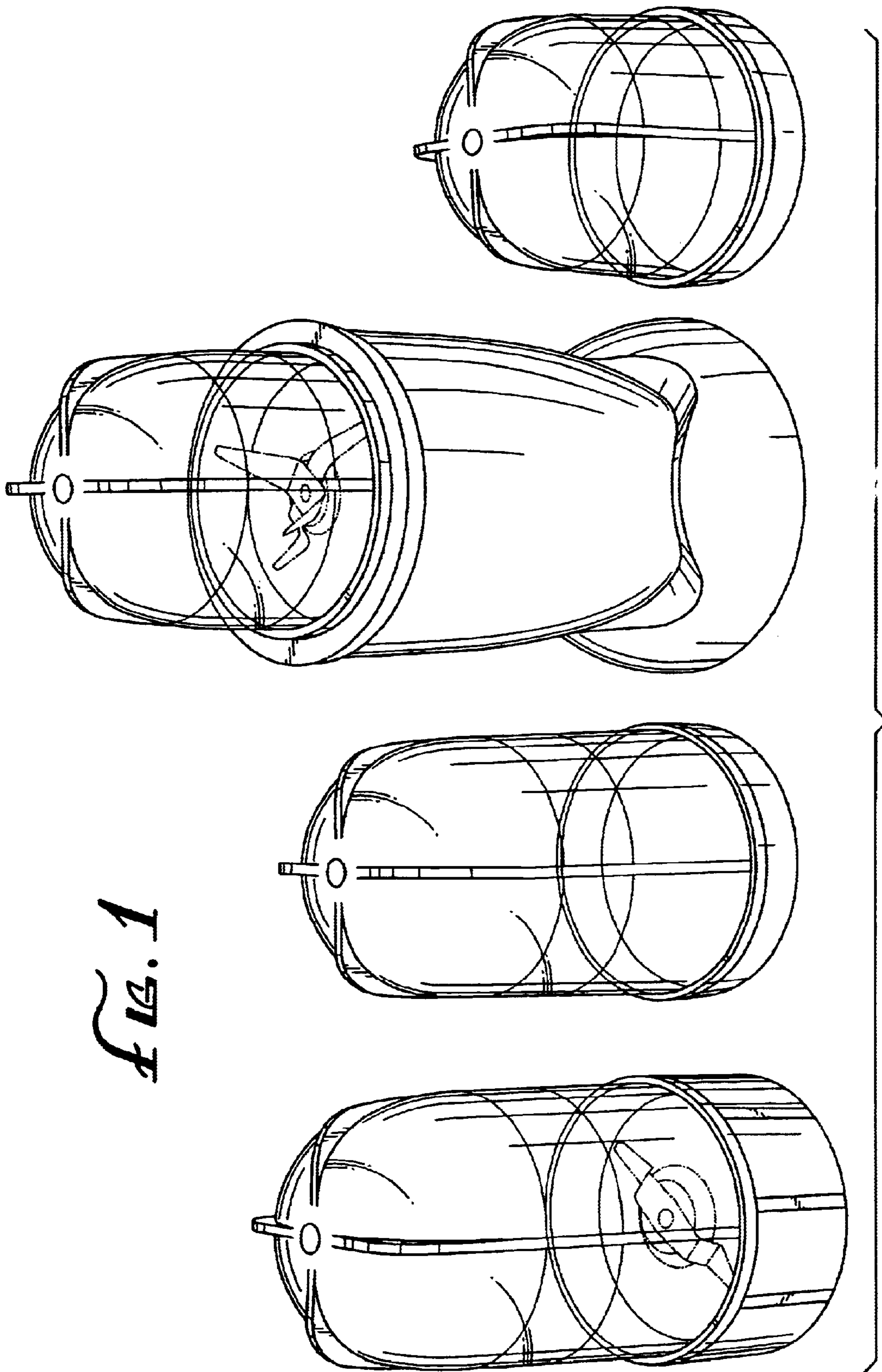
FIG. 9. Is a top plan view of third canister and blender; and,

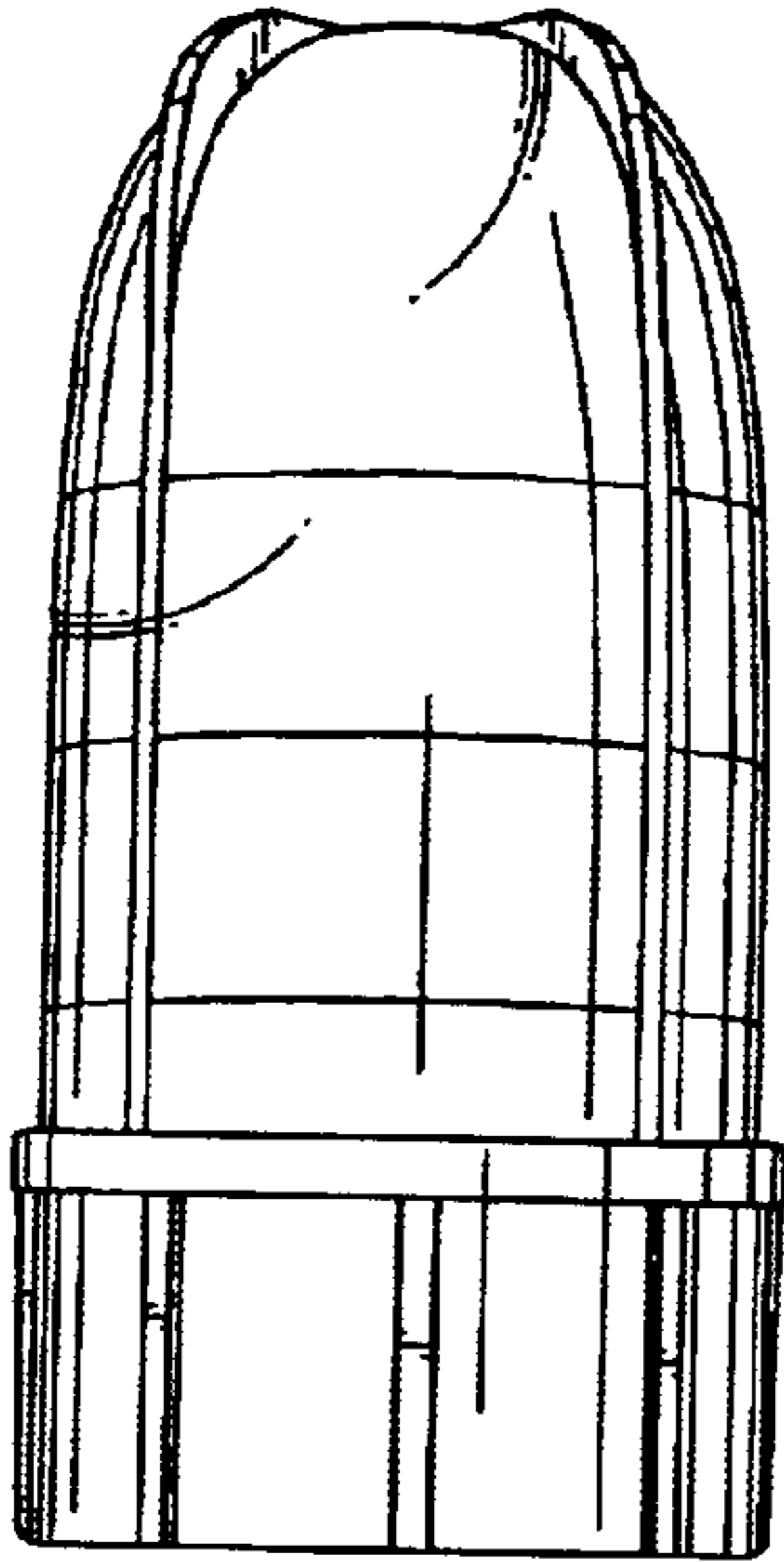
FIG. 10. Is a top plan view of fourth canister.

The broken line portions of the disclosure are illustrative of the environment of the invention only and form no part of the claimed invention.

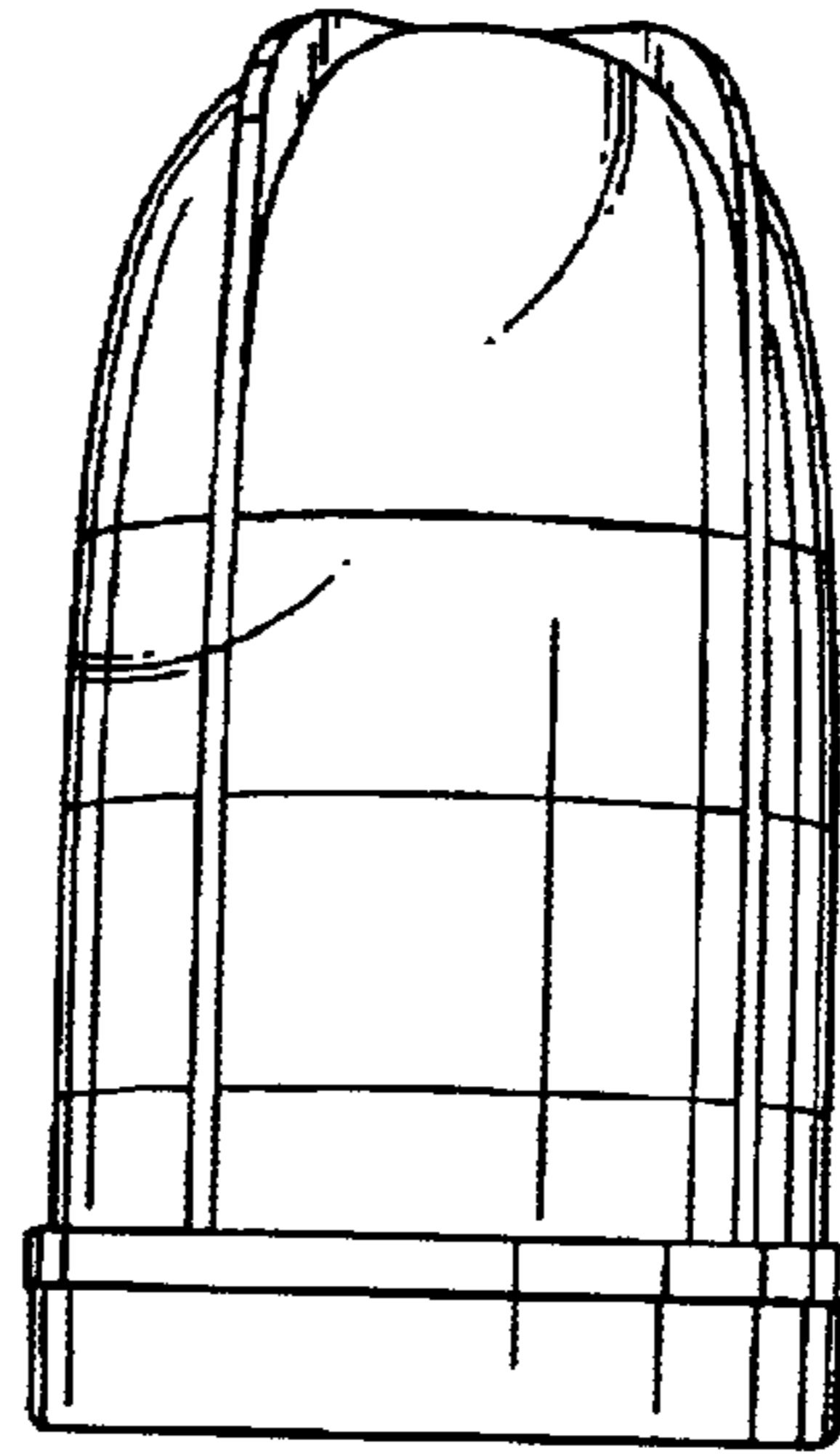
**1 Claim, 3 Drawing Sheets**



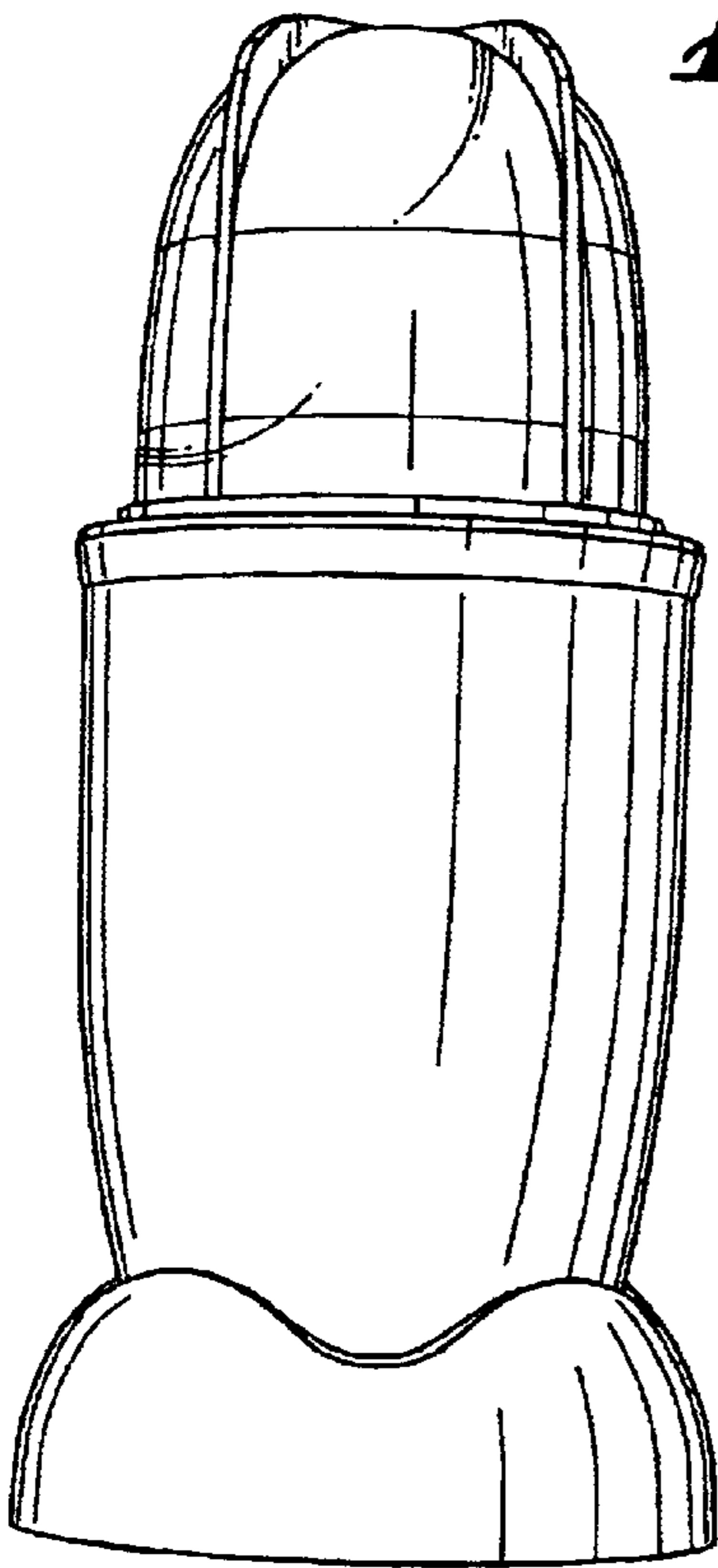




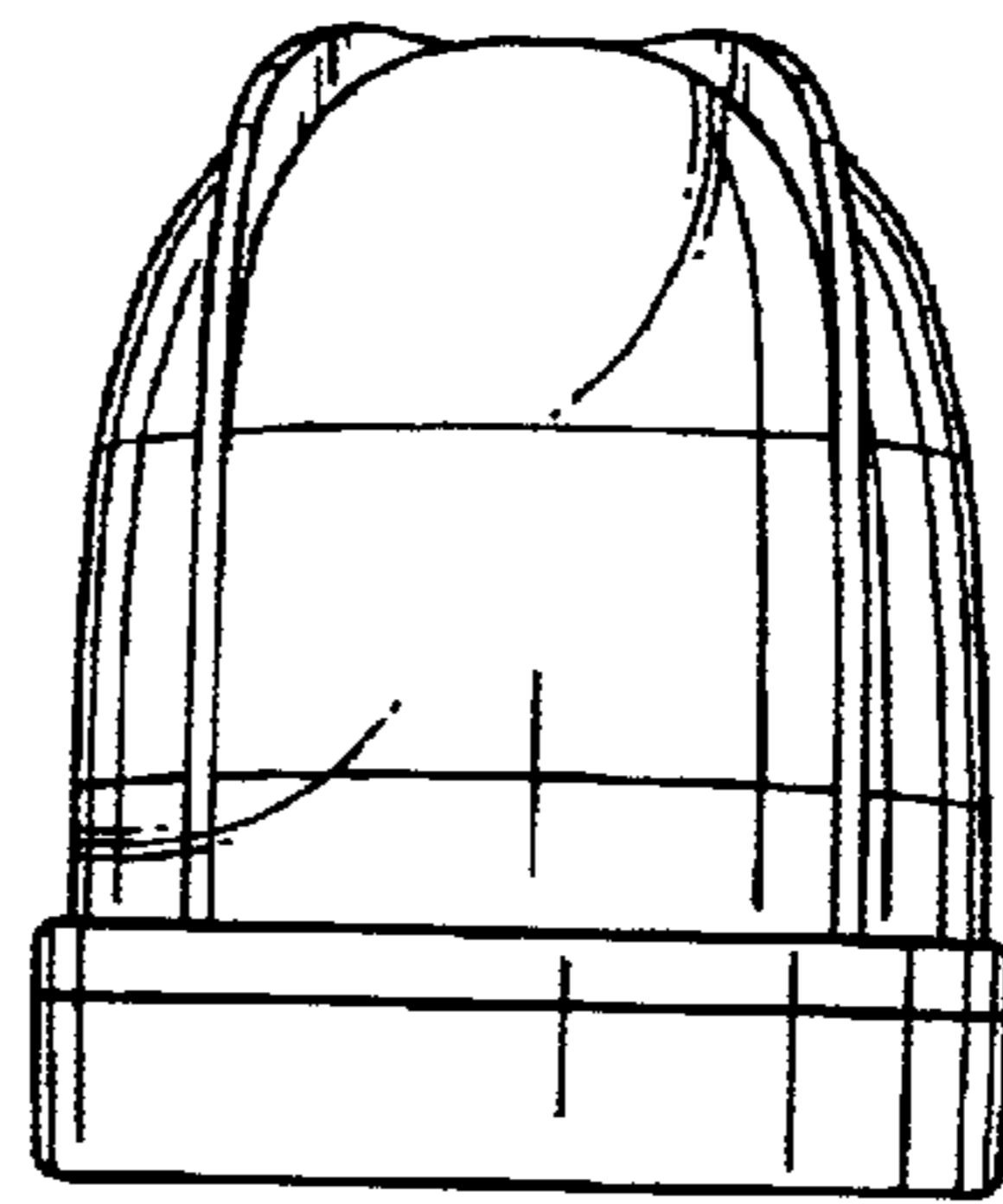
*FIG. 2*



*FIG. 3*

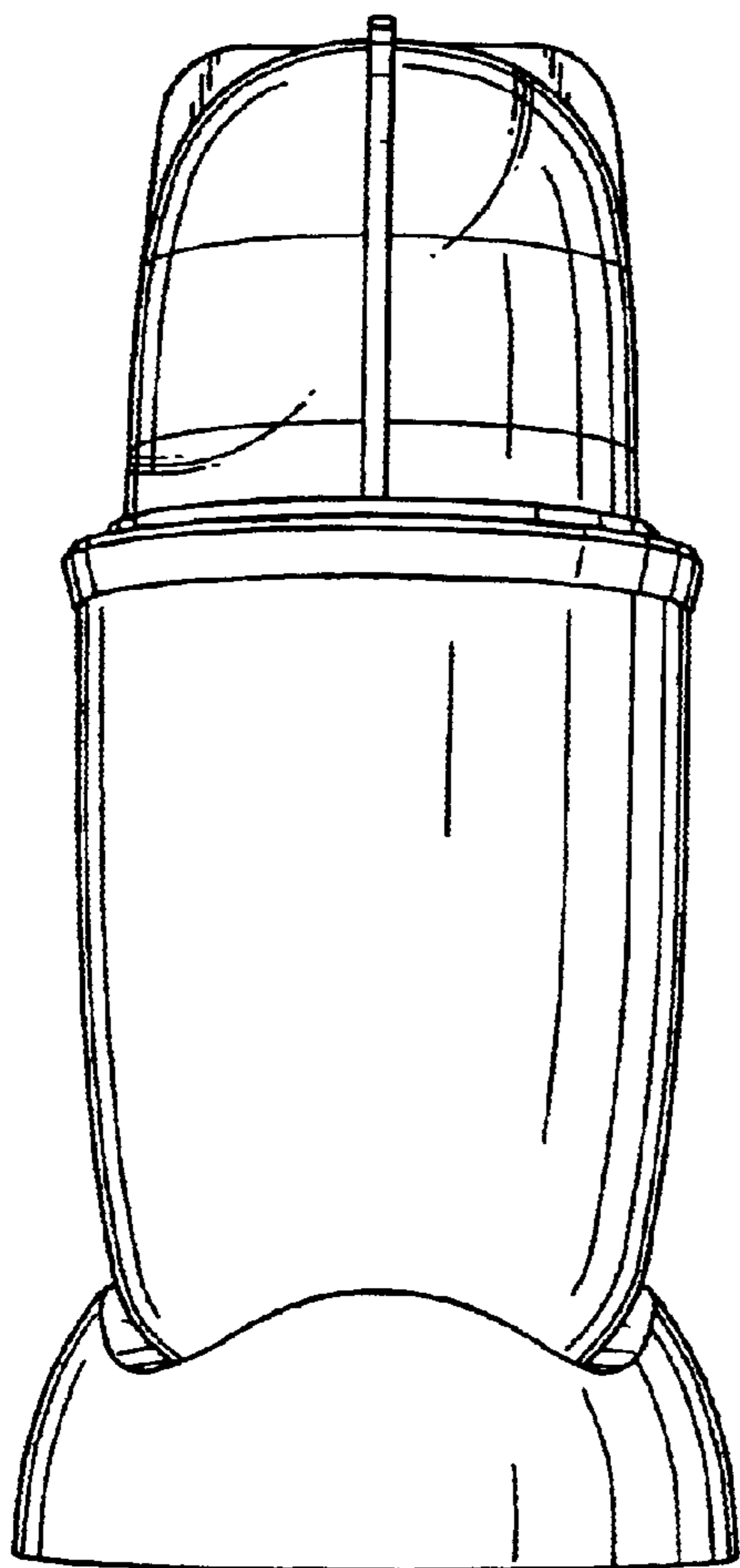


*FIG. 4*

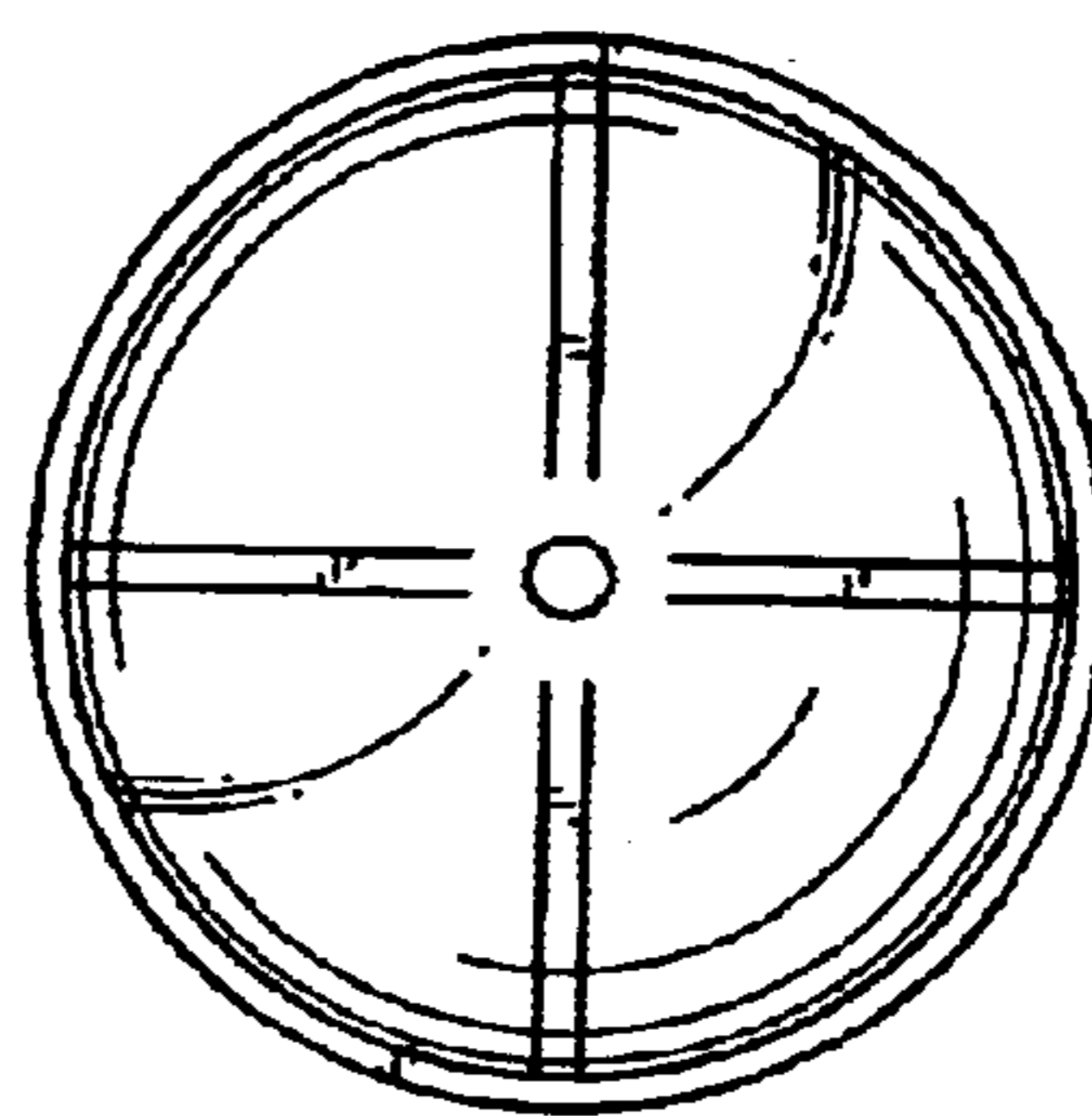


*FIG. 5*

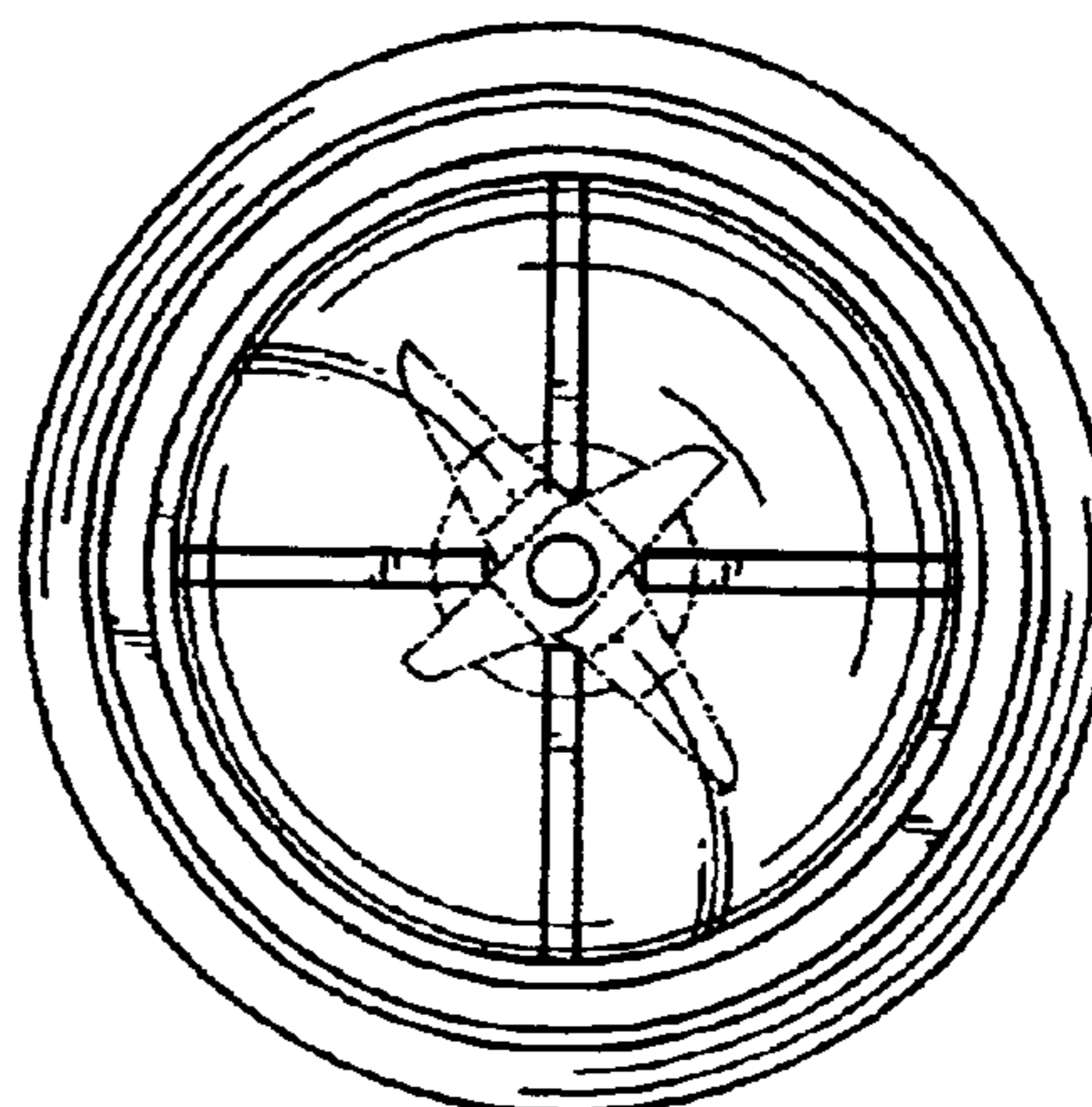




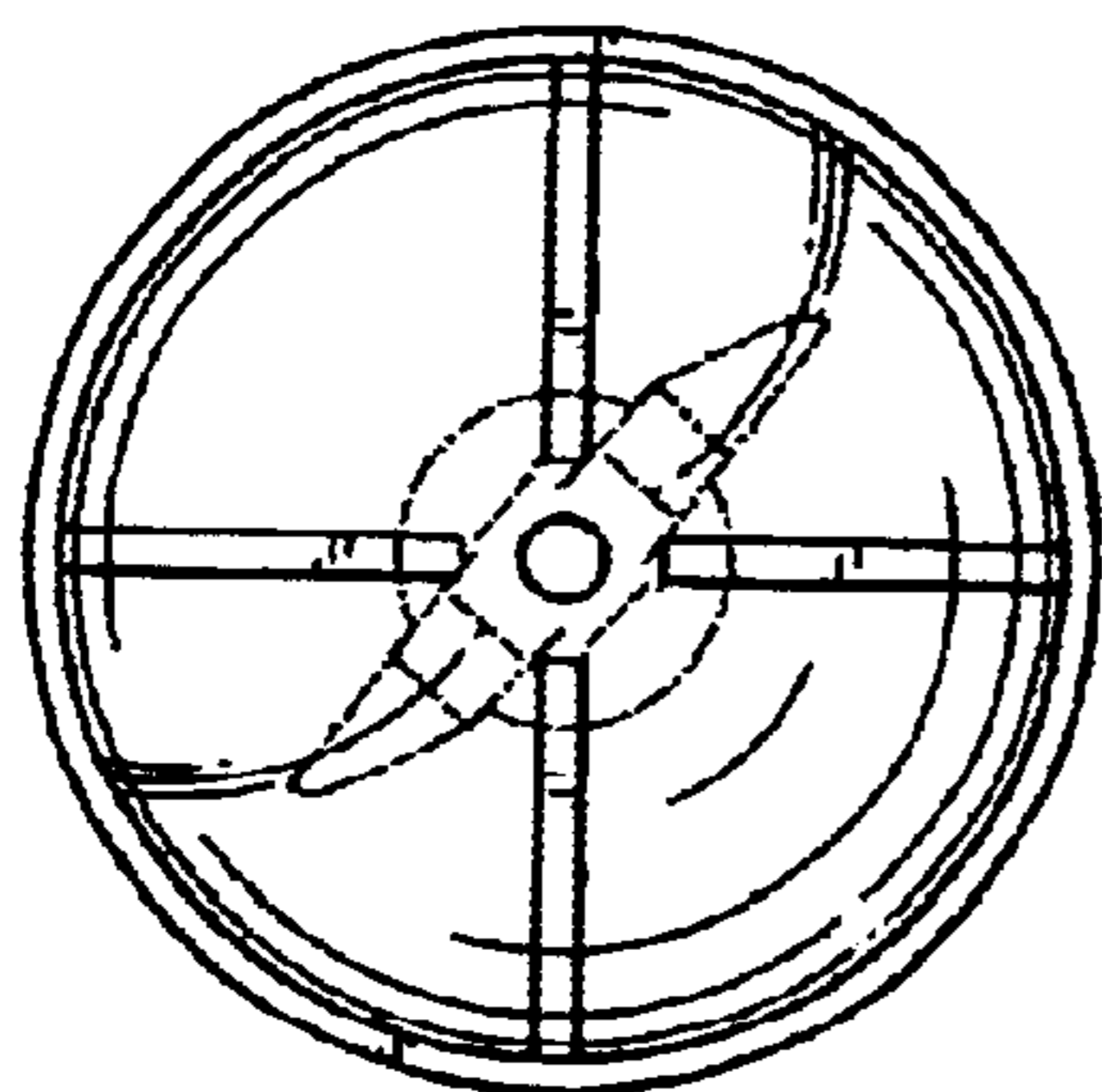
*FIG. 6*



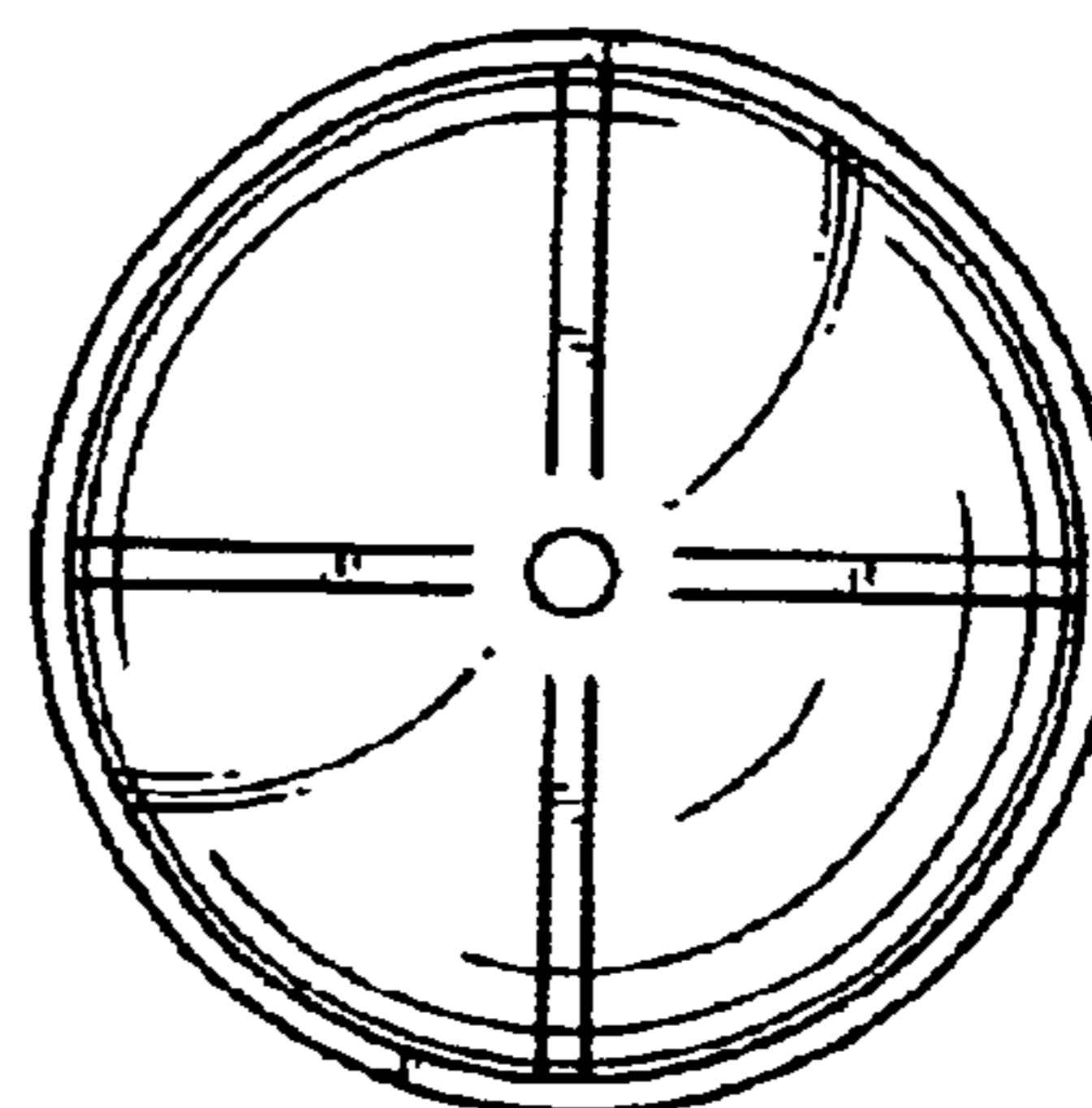
*FIG. 8*



*FIG. 9*



*FIG. 7*



*FIG. 10*