



US00D487667S

(12) **United States Design Patent**
Morgan

(10) **Patent No.:** **US D487,667 S**

(45) **Date of Patent:** **** Mar. 23, 2004**

(54) **DUAL DOME MOLD**

D480,909 S * 10/2003 Morgan D7/354

(76) Inventor: **Fletcher Morgan**, 4990 Coquina Key
Dr., SE., St. Petersburg, FL (US) 33705

* cited by examiner

(**) Term: **14 Years**

Primary Examiner—Lisa Lichtenstein
(74) *Attorney, Agent, or Firm*—John S. Hale; Gipple &
Hale

(21) Appl. No.: **29/178,855**

(57) **CLAIM**

(22) Filed: **Apr. 2, 2003**

The ornamental design for a dual dome mold, as shown and
described.

(51) **LOC (7) Cl.** **07-02**

(52) **U.S. Cl.** **D7/356**

(58) **Field of Search** D7/354–360, 672,
D7/555, 677, 557, 554.2, 500, 554.4, 545;
220/573.1–573.4, 500, 506, DIG. 12; 99/324,
426, 428

DESCRIPTION

FIG. 1 is a perspective view of the dual dome mold showing
my new design;
FIG. 2 is a side elevational view thereof, the other side view
being identical;
FIG. 3 is a front elevational view thereof, the rear view being
identical;
FIG. 4 is a top plan view thereof; and,
FIG. 5 is a bottom plan view thereof.

(56) **References Cited**

U.S. PATENT DOCUMENTS

2,582,801 A * 1/1952 Steen 126/378.1
4,076,207 A * 2/1978 Austin 249/66.1

1 Claim, 3 Drawing Sheets

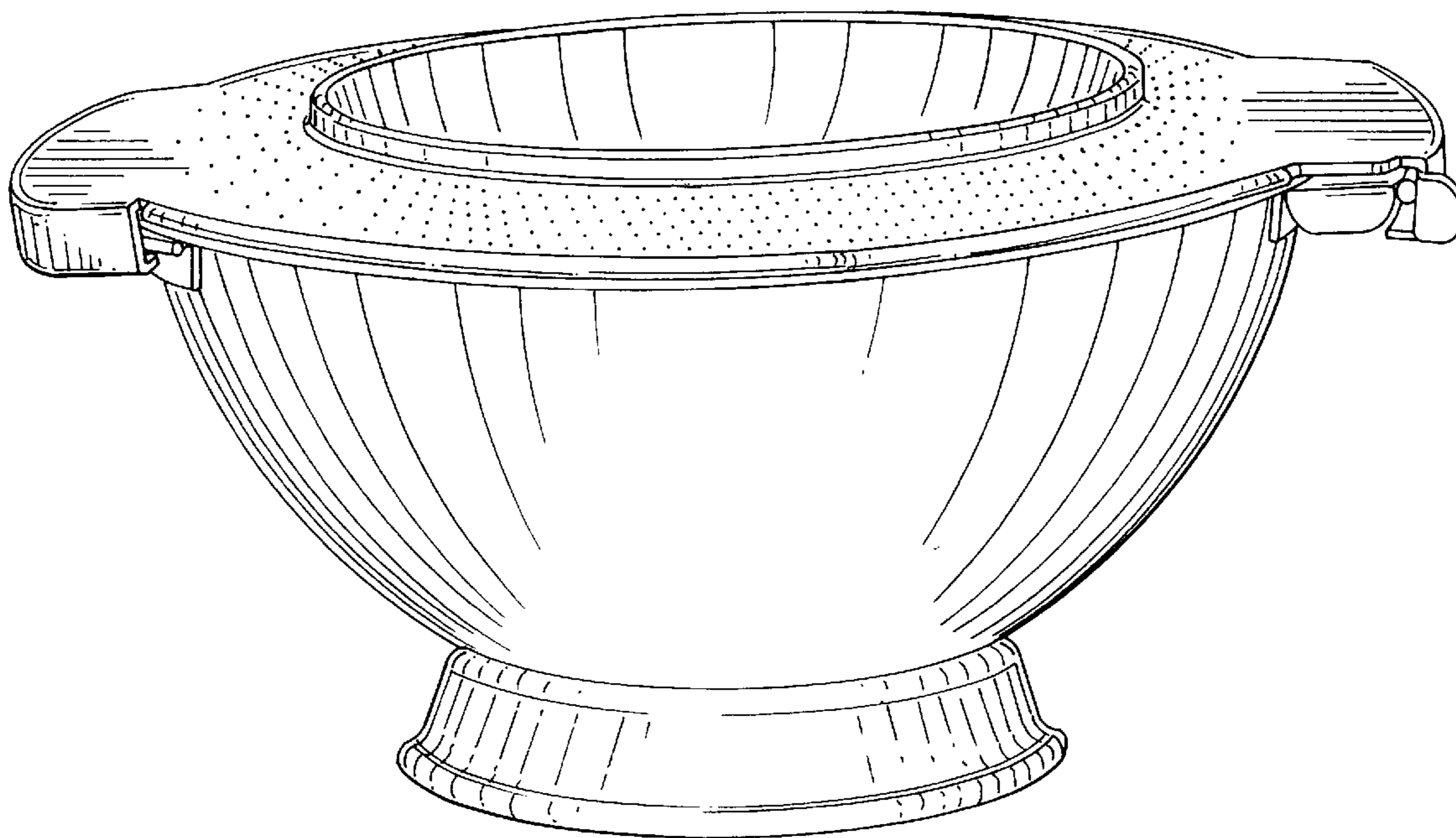
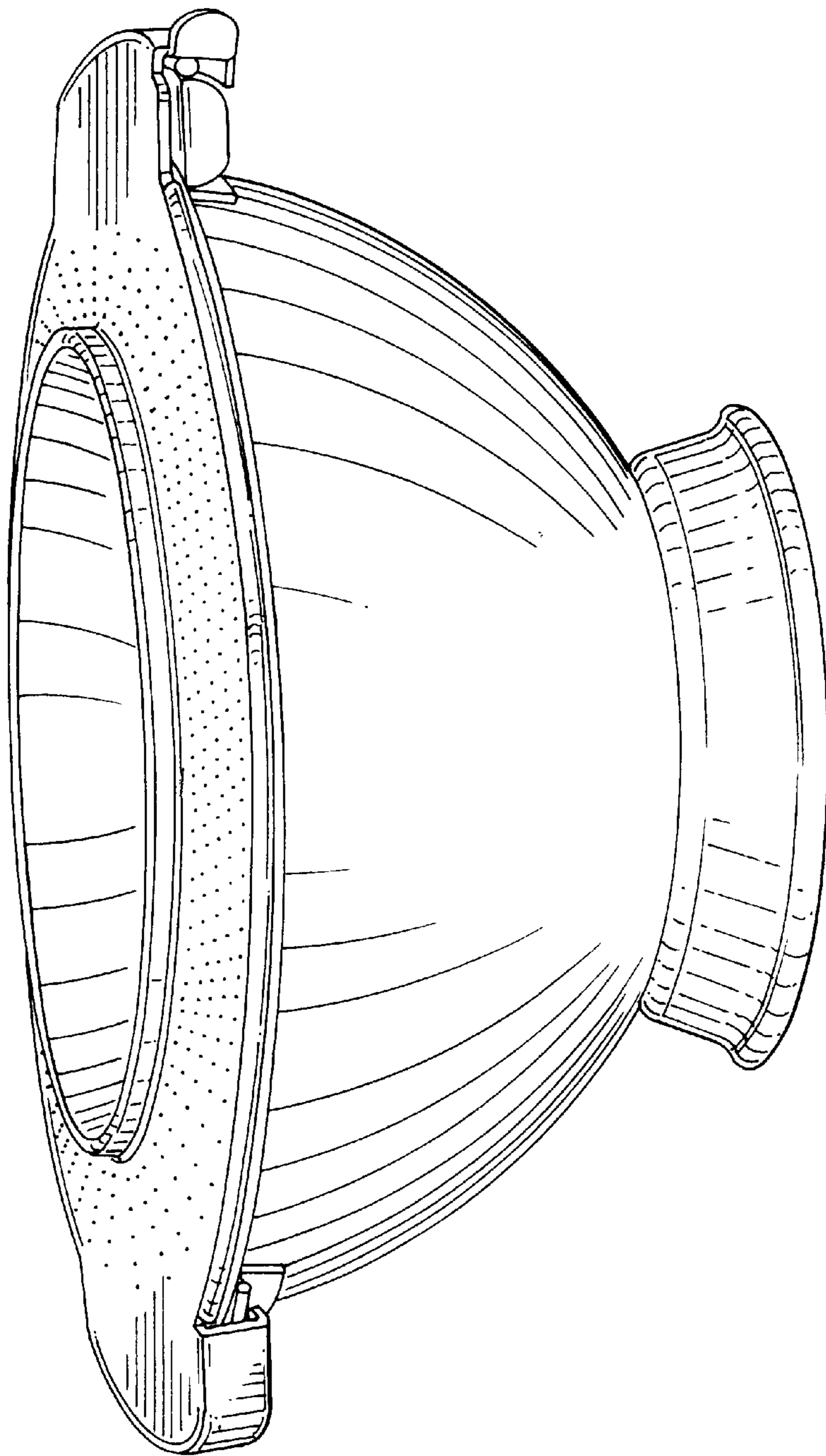


Fig. 1



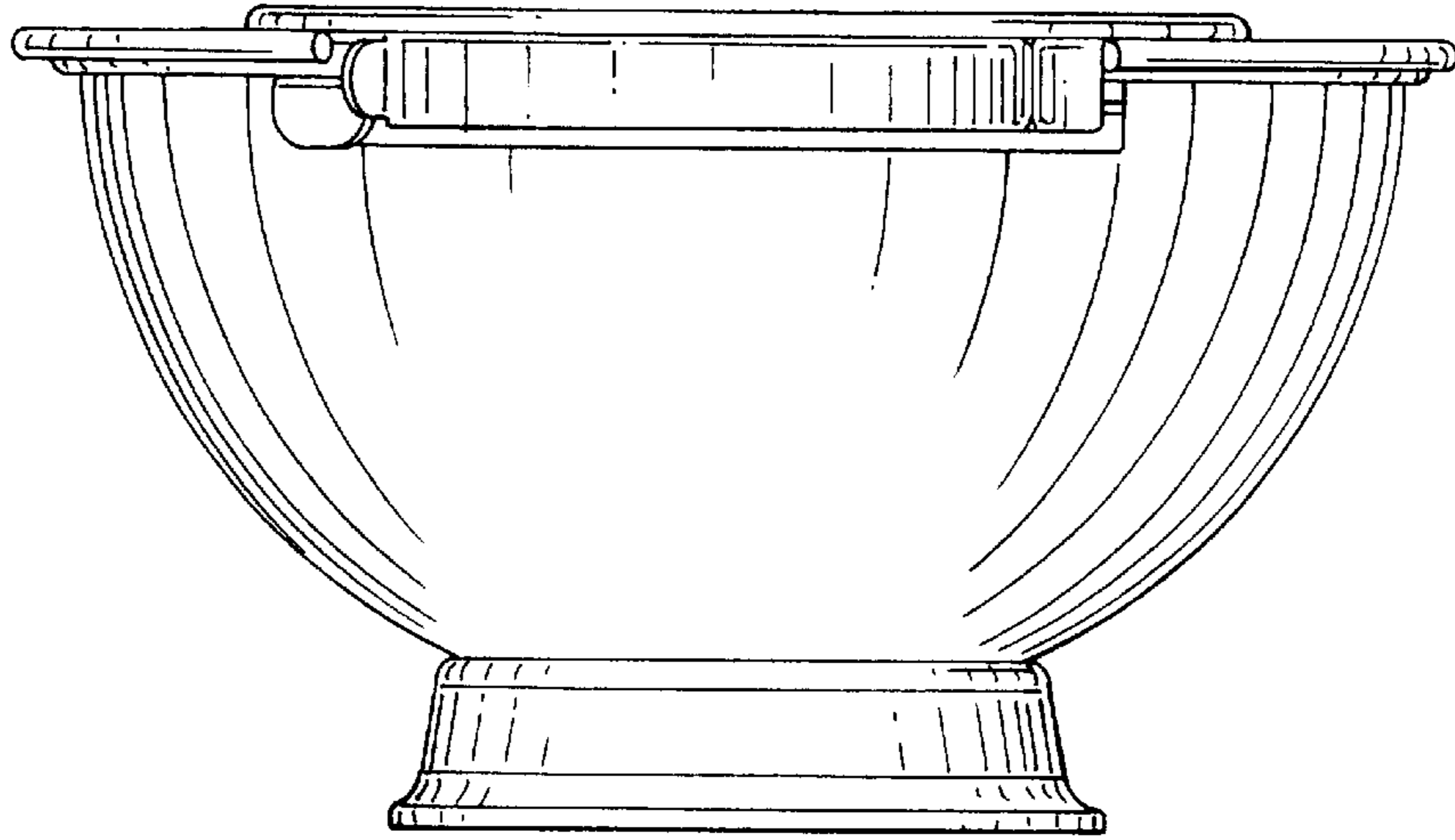


Fig. 2

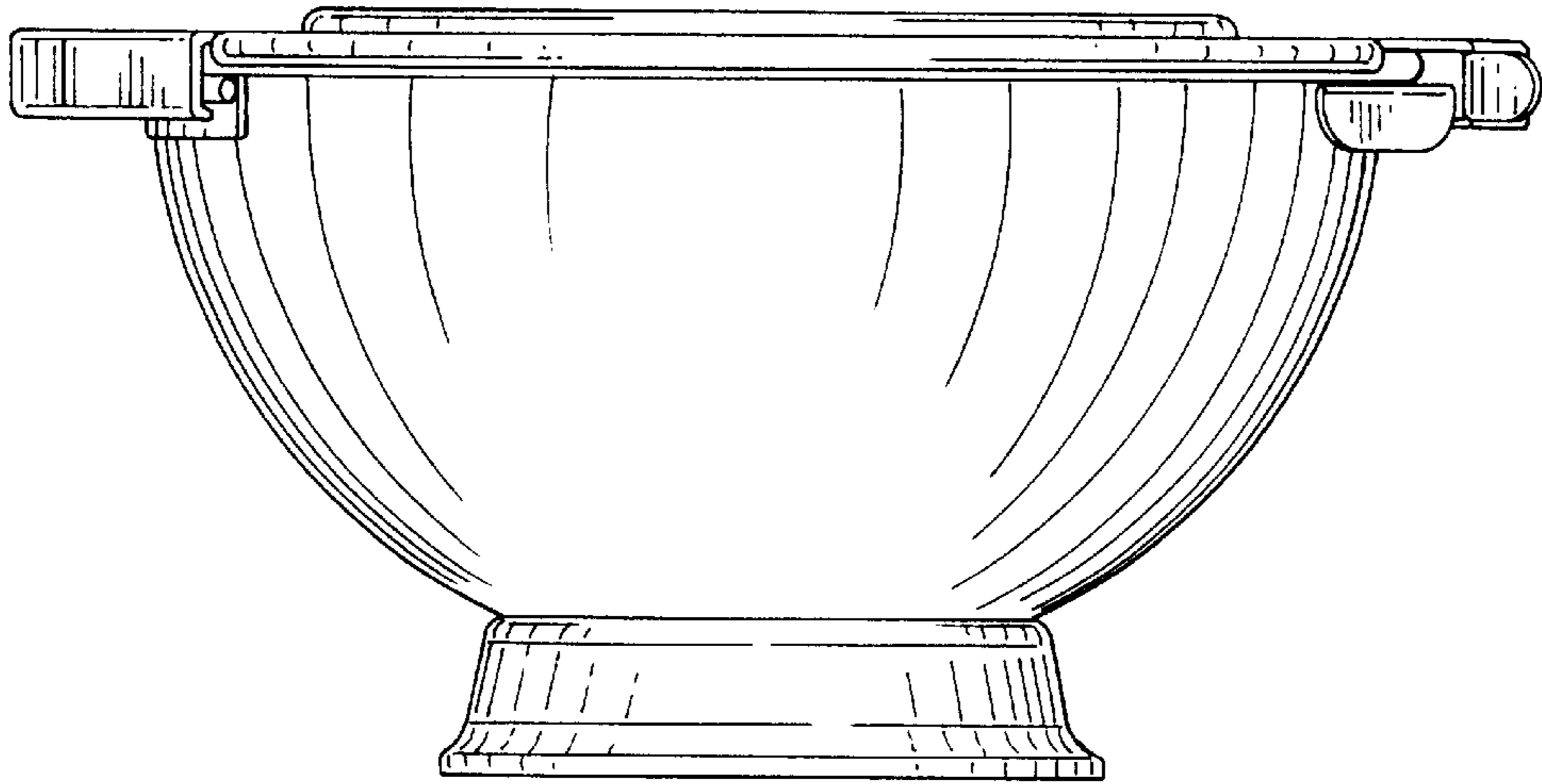


Fig. 3

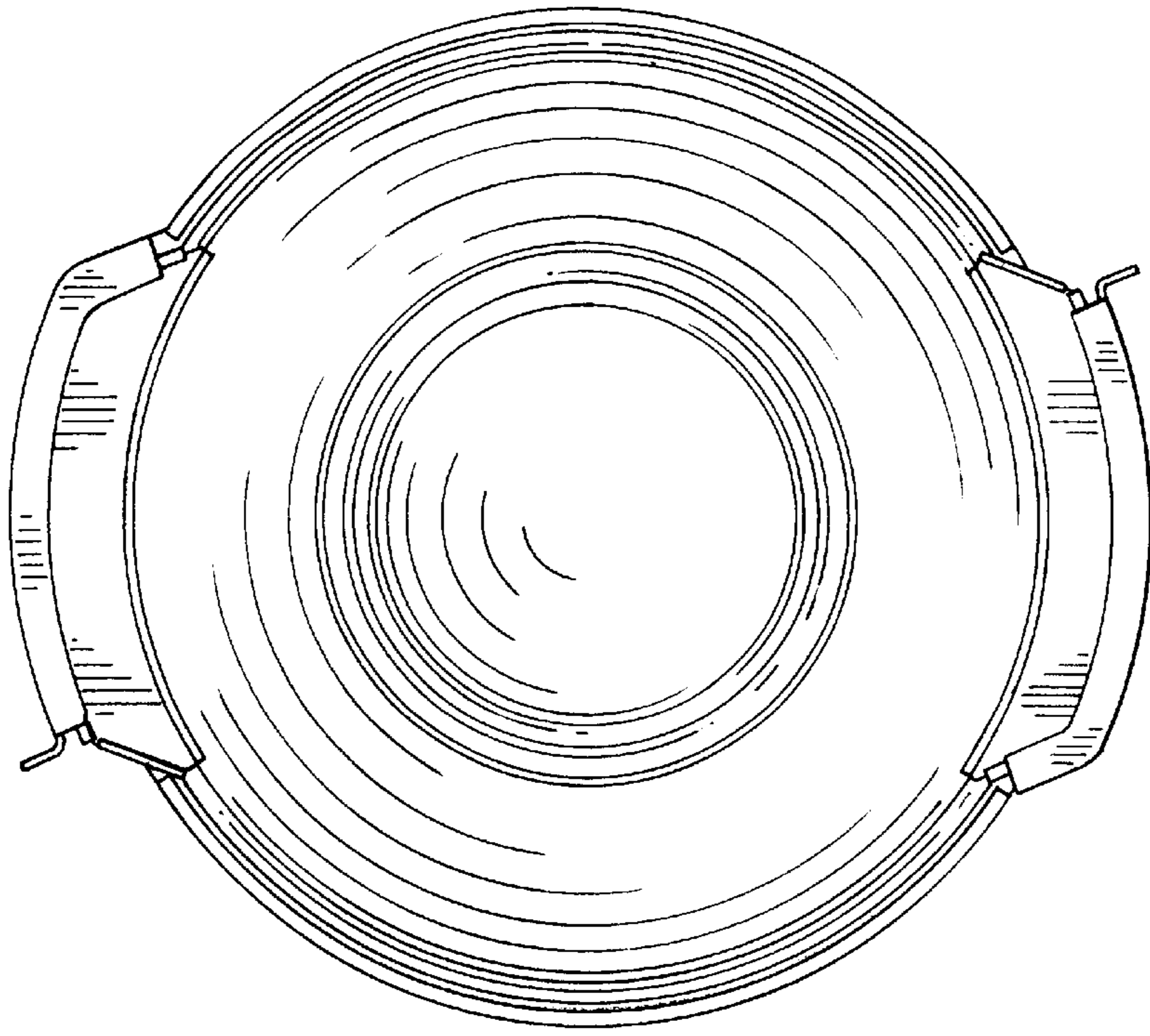


Fig. 5

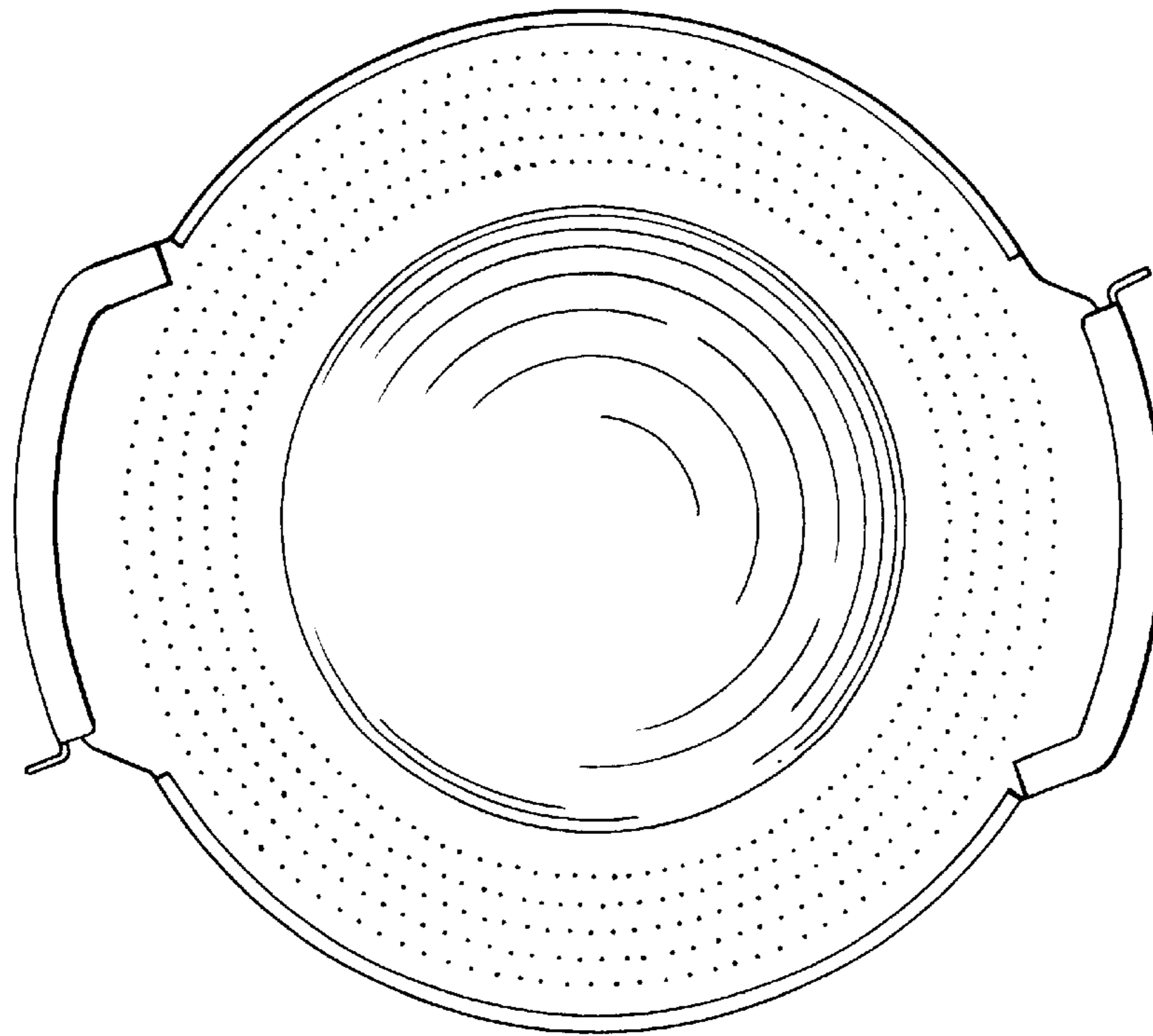


Fig. 4