



US00D487666S

(12) **United States Design Patent**
Monguilod

(10) **Patent No.:** **US D487,666 S**

(45) **Date of Patent:** **** Mar. 23, 2004**

(54) **MICROWAVE OVEN**

(75) **Inventor:** **Liliana Maria Pereira Monguilod, Sao Paulo (BR)**

(73) **Assignee:** **Multibras S.A. Electrodomesticos, Sao Paulo (BR)**

(**) **Term:** **14 Years**

(21) **Appl. No.:** **29/153,182**

(22) **Filed:** **Jan. 3, 2002**

(30) **Foreign Application Priority Data**

Dec. 7, 2001 (BR) 6102057

(51) **LOC (7) Cl.** **07-02**

(52) **U.S. Cl.** **D7/351**

(58) **Field of Search** D7/350, 350.1, D7/350.3, 350.4, 351, 402, 405-406; 219/678, 756-758; 126/273 A, 275 R, 275 E, 19 M, 21 R; 99/341, 451

(56) **References Cited**

U.S. PATENT DOCUMENTS

D216,847 S * 3/1970 Brynge D7/351

D303,606 S * 9/1989 Hatanaka D7/351
5,632,921 A * 5/1997 Risman et al. 219/750
D393,979 S * 5/1998 Graat D7/405
D452,108 S * 5/2002 Monguilod D7/351
D456,666 S * 5/2002 Monguilod D7/351
D457,378 S * 5/2002 Wang et al. D7/351

* cited by examiner

Primary Examiner—Ruth McInroy

(74) *Attorney, Agent, or Firm*—Darby & Darby

(57) **CLAIM**

I claim the ornamental design for a microwave oven, as shown and described.

DESCRIPTION

FIG. 1 is a perspective view of a microwave oven showing the present design;

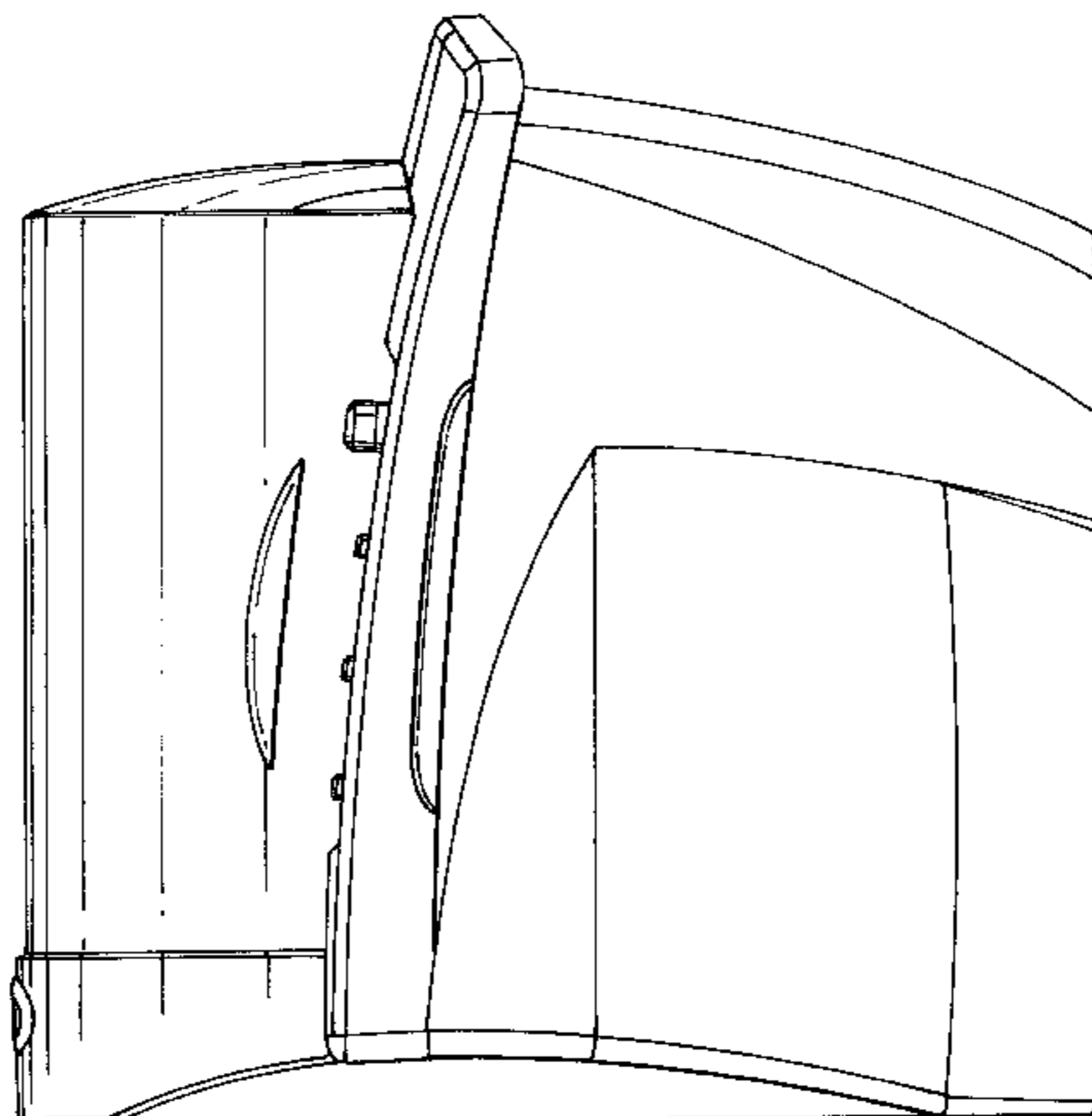
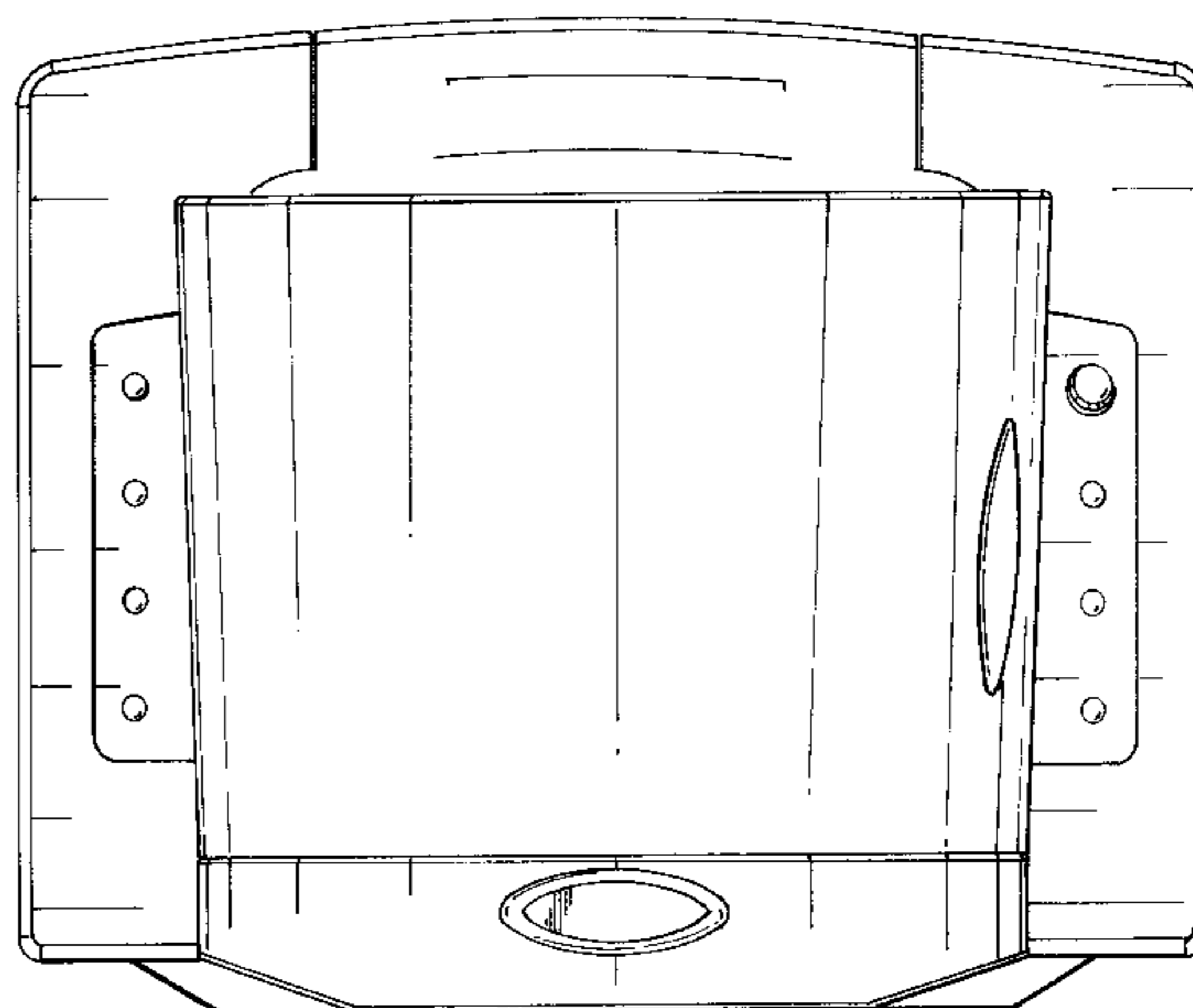
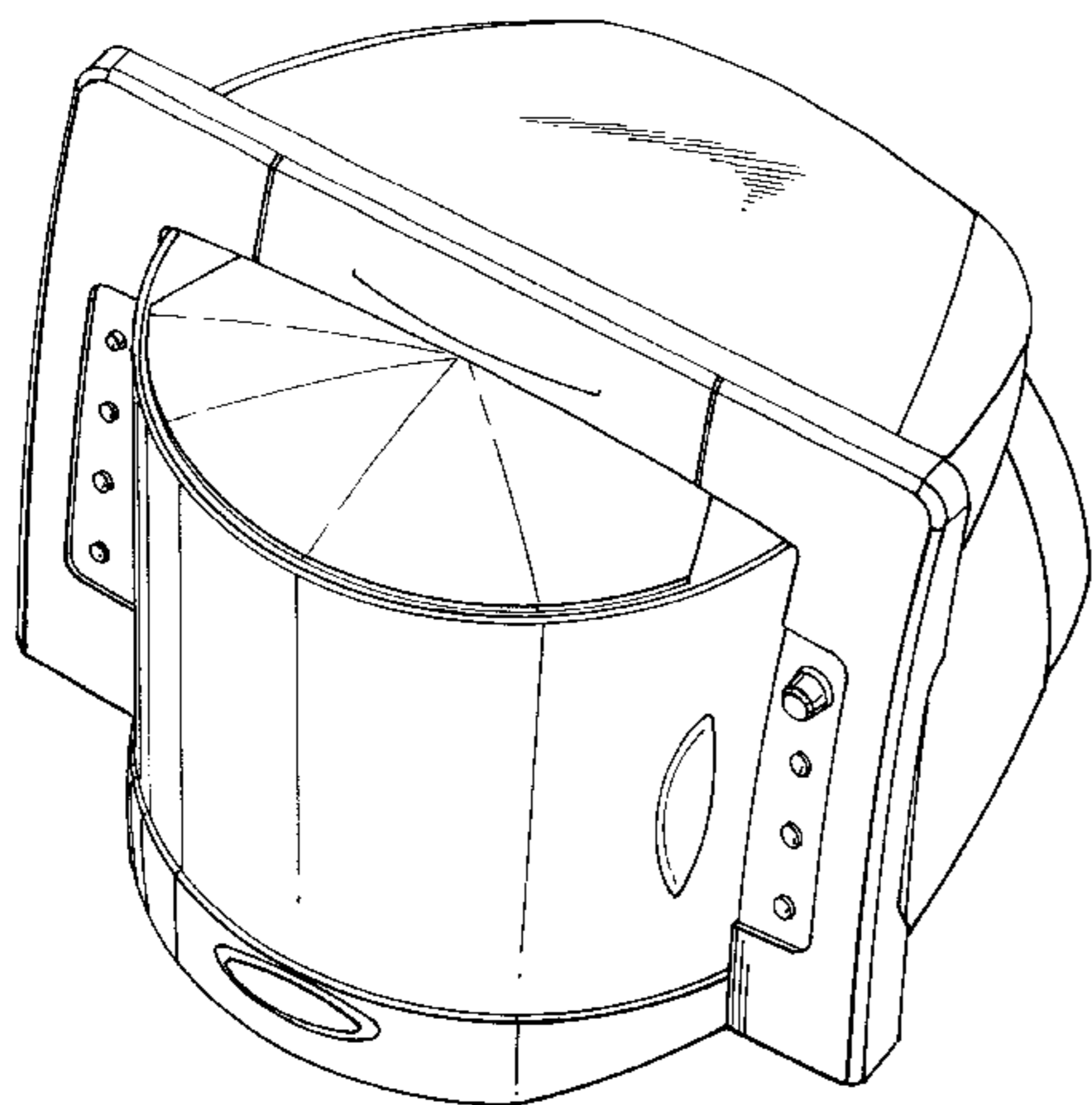
FIG. 2 is a front elevational view thereof;

FIG. 3 is a top plan view thereof;

FIG. 4 is a left side elevational view thereof; and,

FIG. 5 is a right side elevational view thereof.

1 Claim, 5 Drawing Sheets



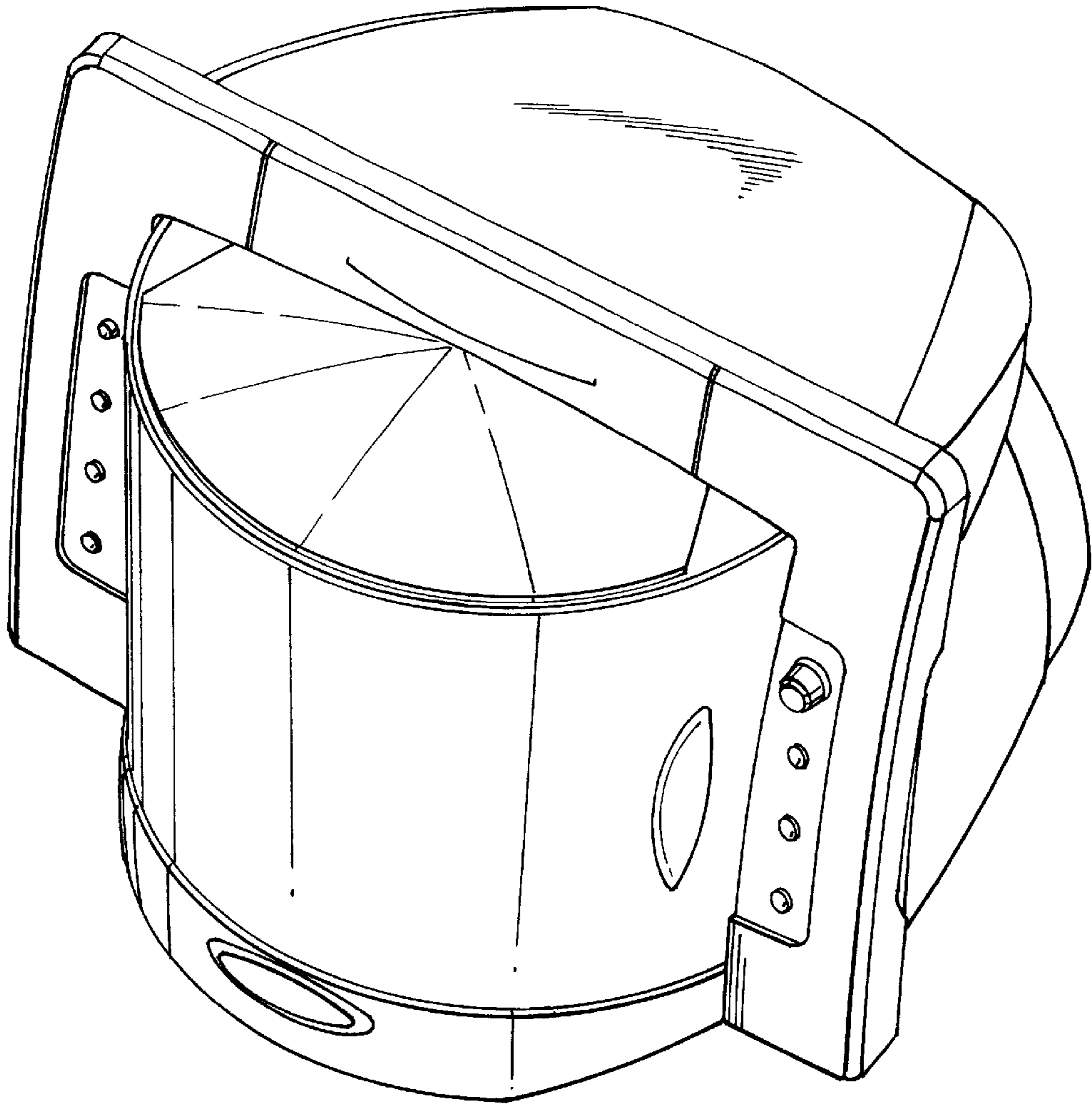


FIG. 1

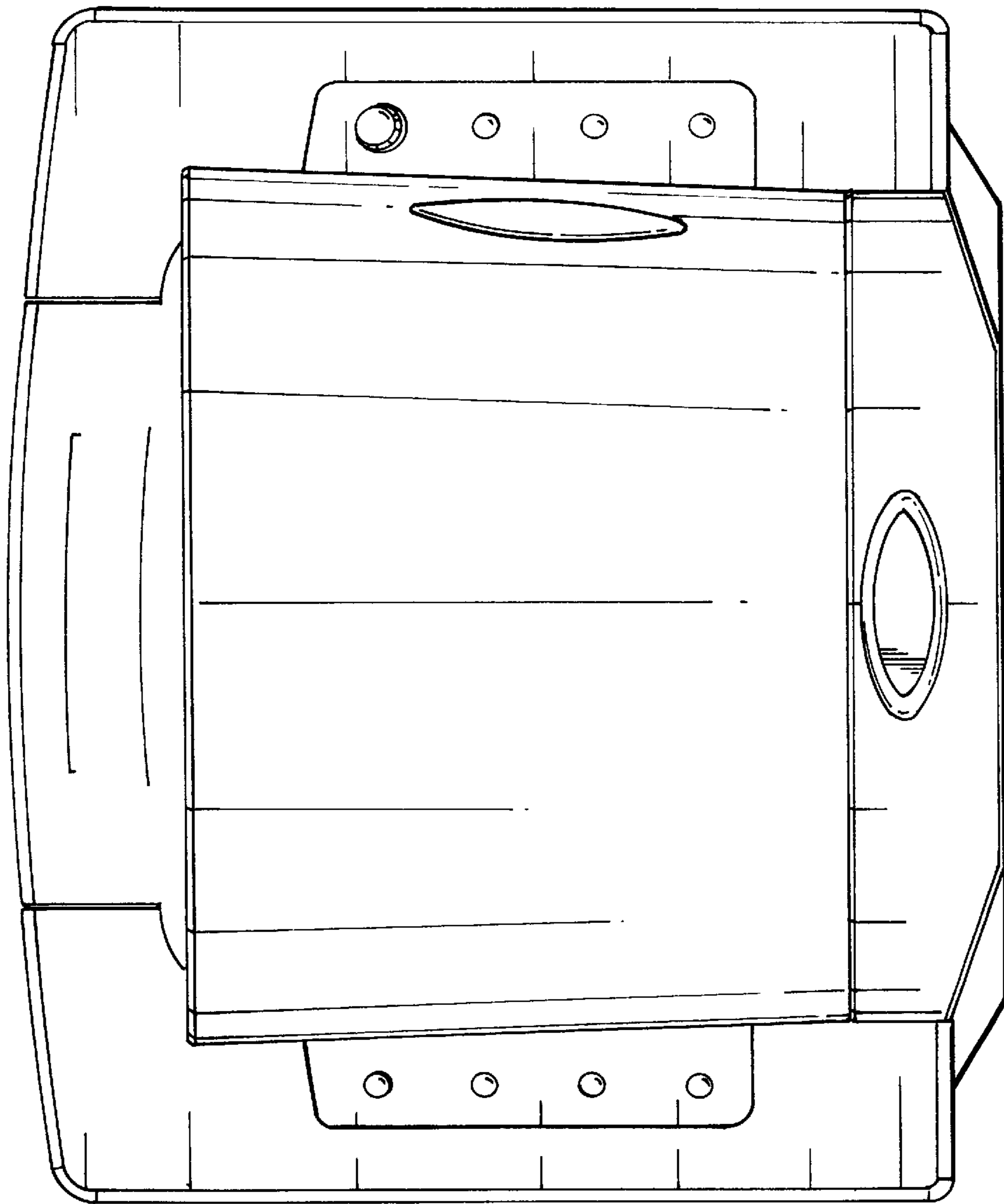


FIG. 2

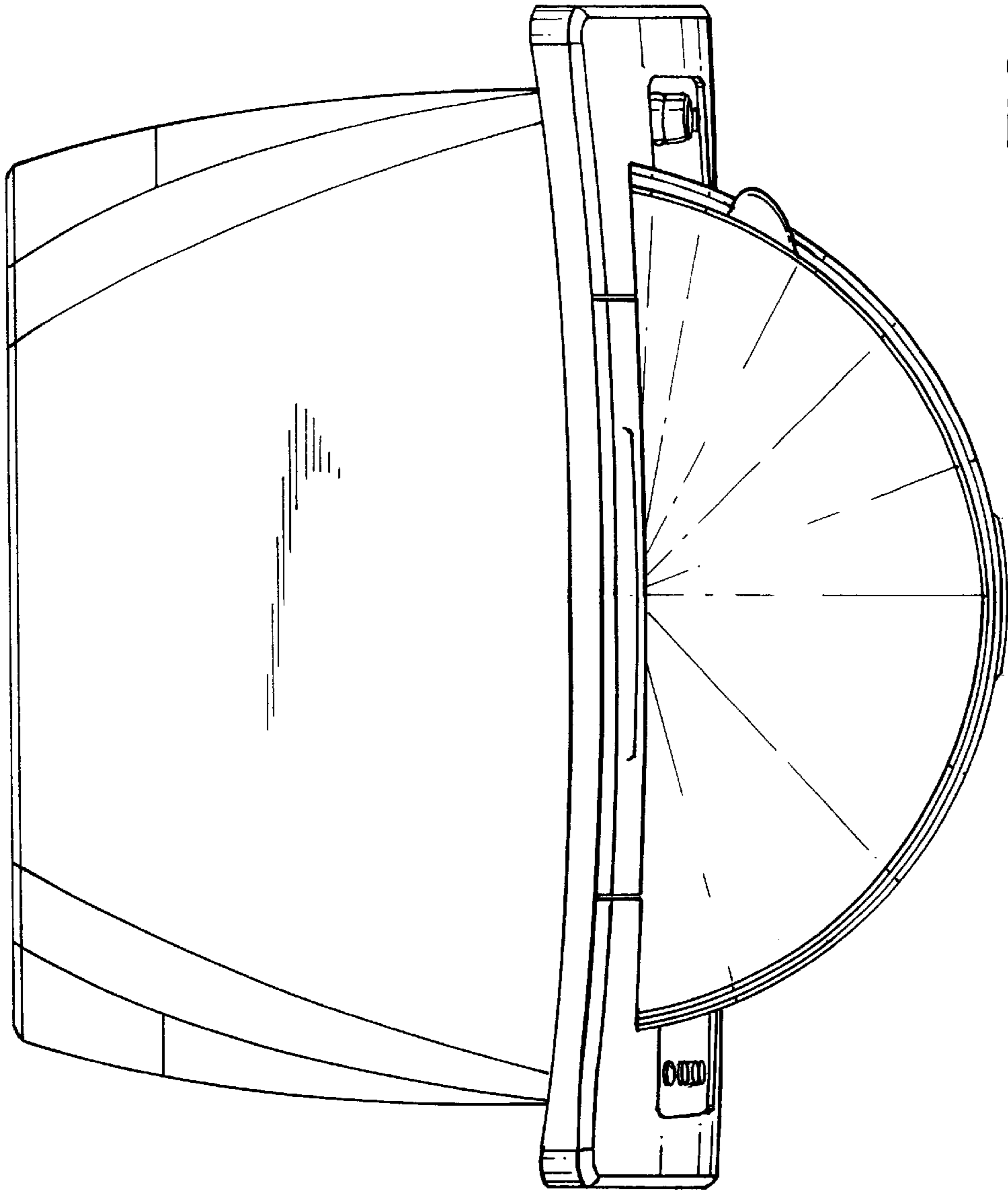


FIG. 3

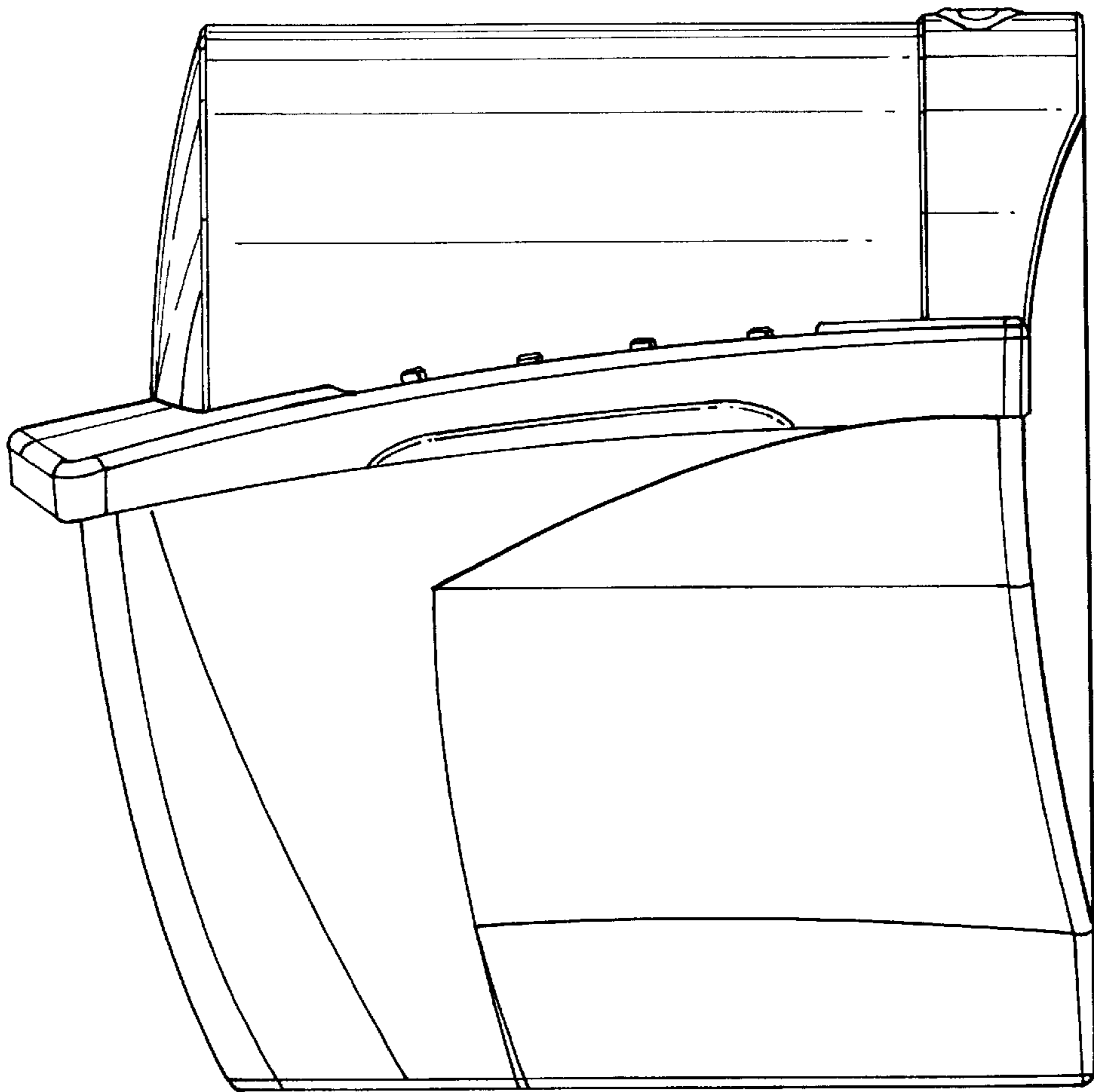


FIG. 4

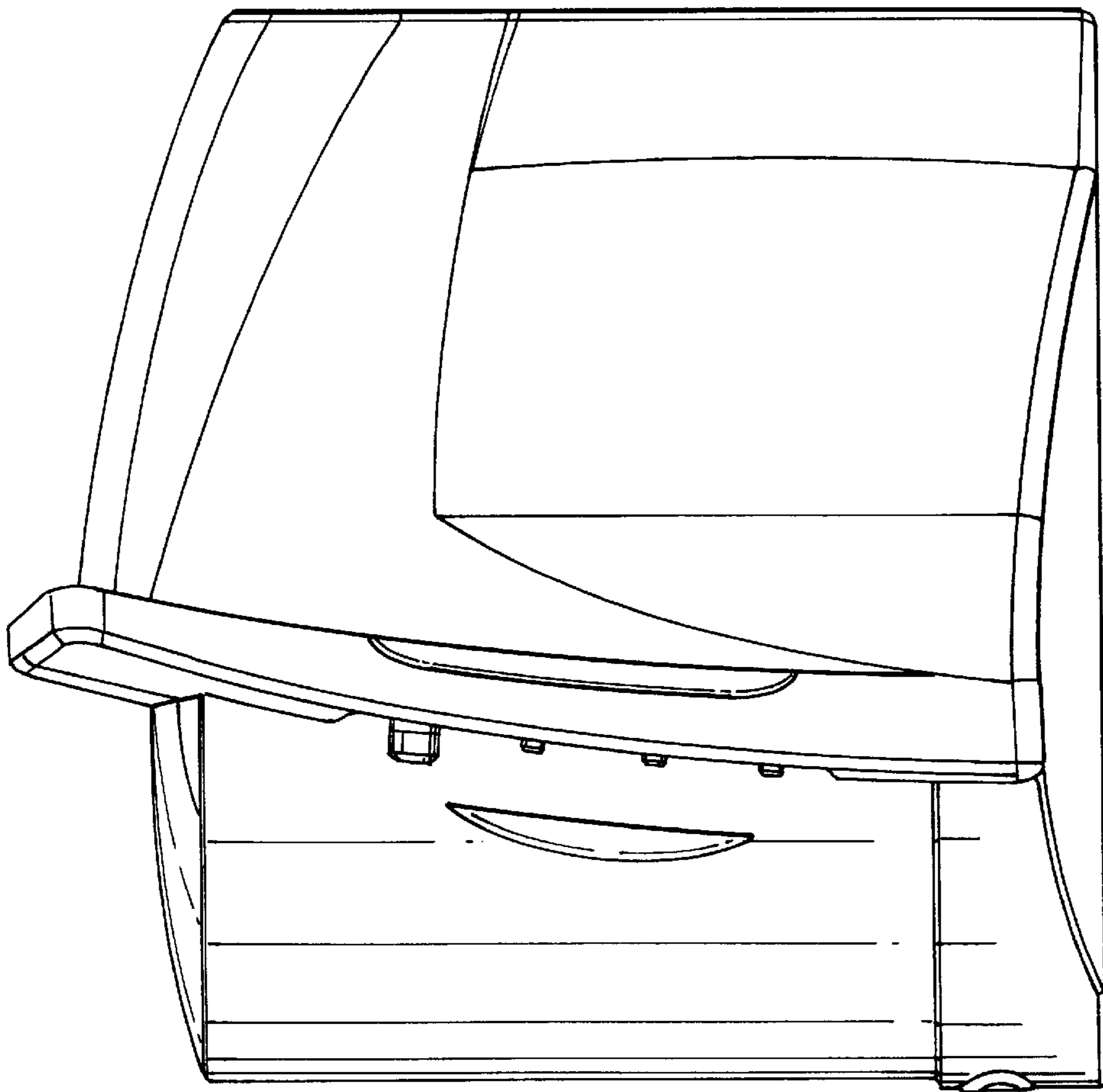


FIG. 5

UNITED STATES PATENT AND TRADEMARK OFFICE
CERTIFICATE OF CORRECTION

PATENT NO. : Des. 487,666 S
DATED : March 23, 2004
INVENTOR(S) : Liliana M. Pereira Monguilod

Page 1 of 1

It is certified that error appears in the above-identified patent and that said Letters Patent is hereby corrected as shown below:

Title page,

Item [30], **Foreign Application Priority Data**, delete "December 7, 2001 (BR)
..... 6102057" and substitute -- July 12, 2001 (BR).....6102057 --.

Signed and Sealed this

Third Day of August, 2004



JON W. DUDAS

Acting Director of the United States Patent and Trademark Office