



US00D487662S

(12) **United States Design Patent**
Ward et al.

(10) **Patent No.:** **US D487,662 S**

(45) **Date of Patent:** **** Mar. 23, 2004**

(54) **HEADRAIL**

(75) Inventors: **Adam Ward**, Madison, WI (US);
Toralf H. Strand, Madison, WI (US)

(73) Assignee: **Springs Window Fashions LP**,
Middleton, WI (US)

(**) Term: **14 Years**

(21) Appl. No.: **29/178,792**

(22) Filed: **Mar. 31, 2003**

(51) **LOC (7) Cl.** **06-11**

(52) **U.S. Cl.** **D6/580**

(58) **Field of Search** D6/580, 577; D25/119;
160/38, 128, 168.1 V, 169

(56) **References Cited**

U.S. PATENT DOCUMENTS

| | | | |
|-------------|----------|-------------------|--------|
| 553,143 A | 1/1896 | Watts | |
| 1,636,601 A | 1/1927 | Givens | |
| 1,731,124 A | 10/1929 | Carper | |
| 2,140,049 A | 12/1938 | Grauel | |
| 2,201,356 A | 5/1940 | Terrell | |
| 4,476,910 A | 10/1984 | Saito | |
| 4,647,488 A | 3/1987 | Schnebly et al. | |
| 4,651,795 A | 3/1987 | Valle et al. | |
| 4,953,610 A | 9/1990 | Phillips et al. | |
| 4,974,656 A | 12/1990 | Judkins | |
| 5,167,269 A | 12/1992 | Abo | |
| 5,205,334 A | 4/1993 | Judkins | |
| RE34,273 E | 6/1993 | Phillips et al. | |
| D337,469 S | * 7/1993 | Young et al. | D6/580 |
| D348,371 S | 7/1994 | Judkins | |
| 5,375,643 A | 12/1994 | Rude | |

| | | | |
|--------------|----------|----------------------|-------------|
| D355,093 S | 2/1995 | Morris | |
| D355,094 S | 2/1995 | Josephson | |
| 5,647,421 A | 7/1997 | Hoffmann et al. | |
| D385,449 S | 10/1997 | Morris | |
| D403,910 S | * 1/1999 | Anderson | D6/580 |
| 6,070,639 A | 6/2000 | Winston et al. | |
| 6,408,924 B1 | * 6/2002 | Anderson et al. | 160/168.1 V |

* cited by examiner

Primary Examiner—Robin V. Taylor

(74) *Attorney, Agent, or Firm*—Lerner, David, Littenberg,
Krumholz & Mentlik, LLP

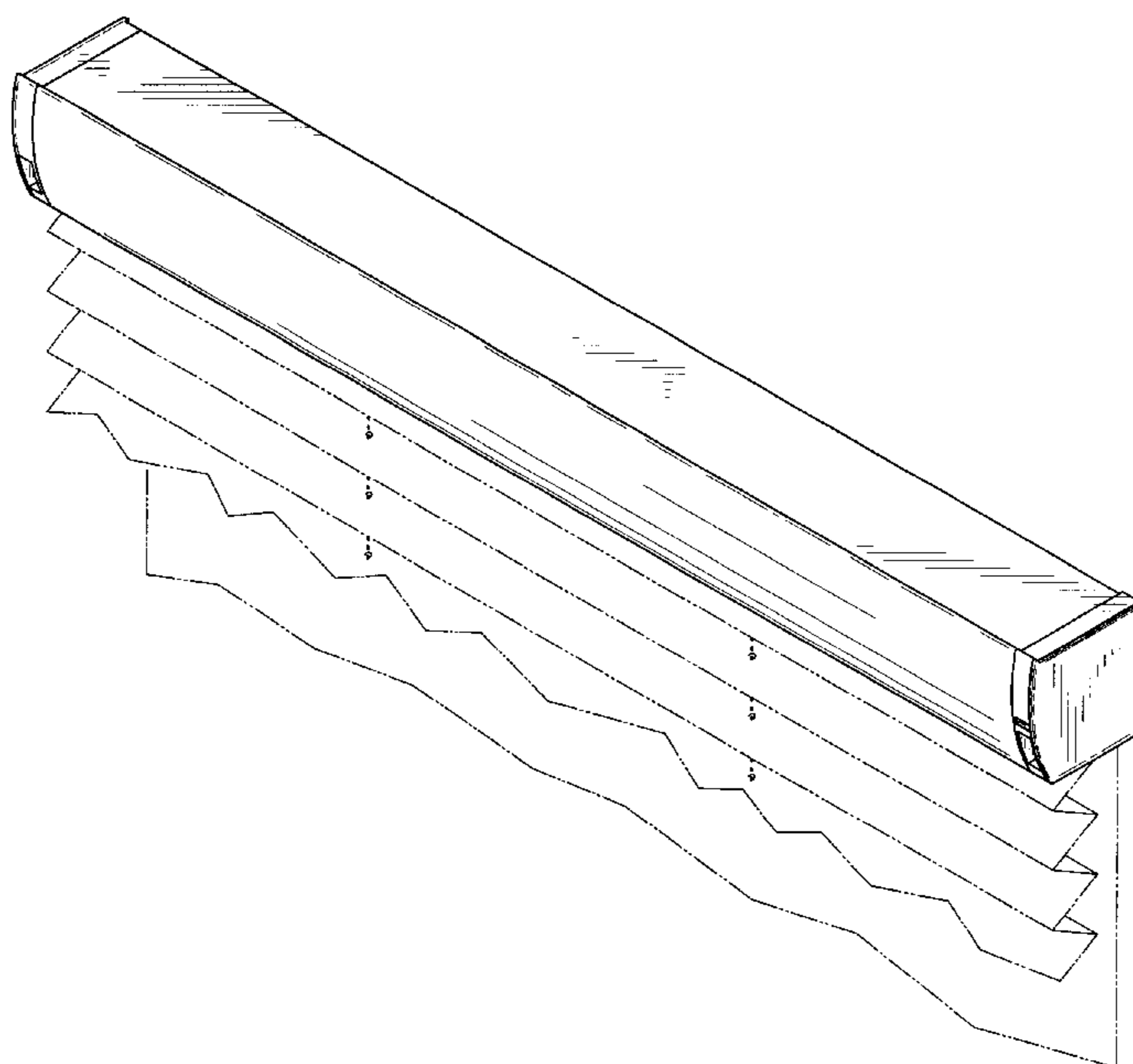
(57) **CLAIM**

The ornamental design for a headrail, as shown and described.

DESCRIPTION

FIG. 1 is a front perspective view of a headrail in accordance with our design, in which broken lines show environmental structure, namely shades employed with the head rail of the present design, which form no part of the claimed design. FIG. 2 is a top plan view of the headrail of the present invention. FIG. 3 is a front elevational view of the headrail of the present invention. FIG. 4 is a bottom view of the headrail of the present invention. FIG. 5 is a right-side elevational view of the headrail of the present invention, the left side being the mirror image thereof; and, FIG. 6 is a front perspective view of a headrail in accordance with our design.

1 Claim, 3 Drawing Sheets



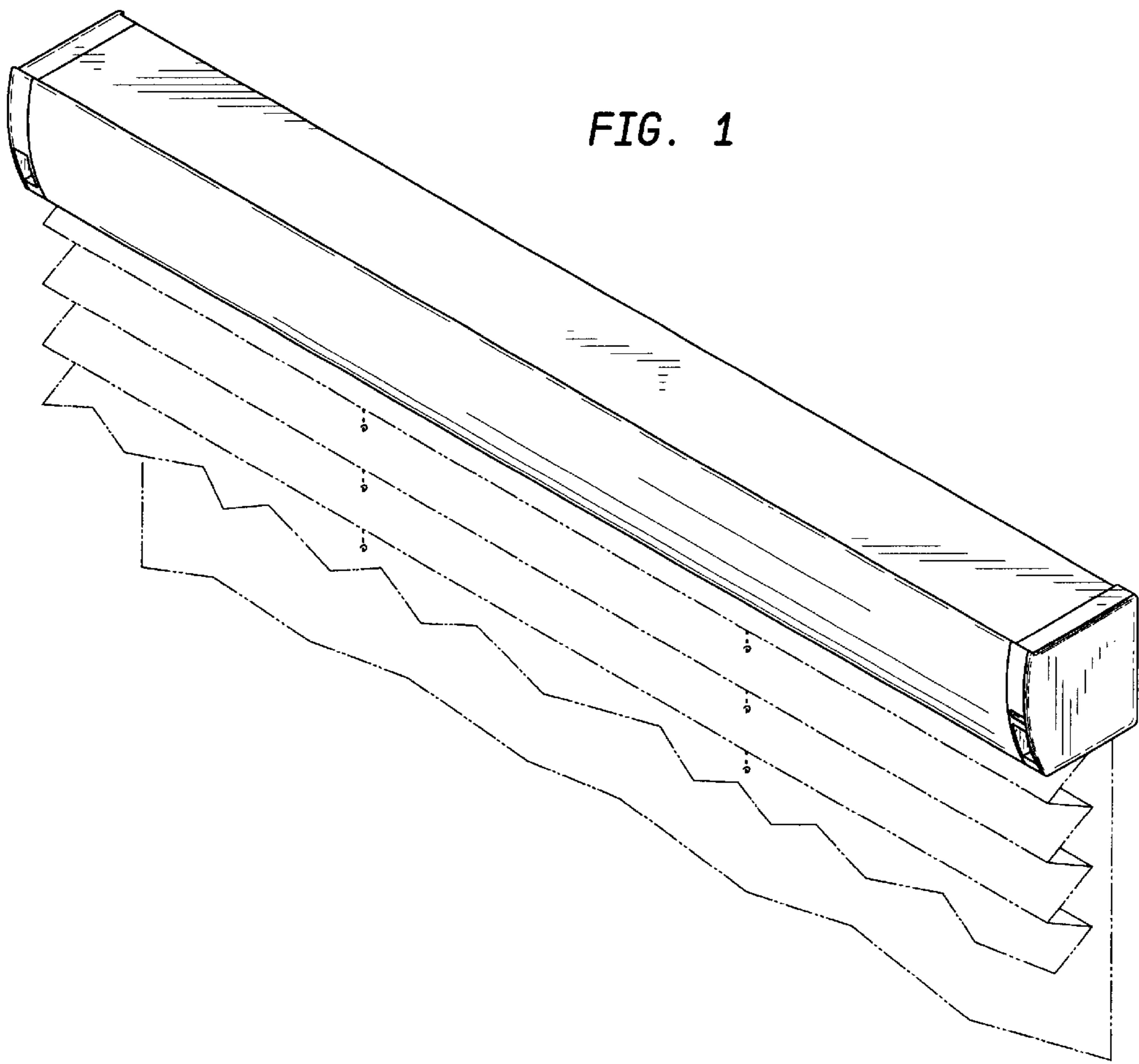


FIG. 2

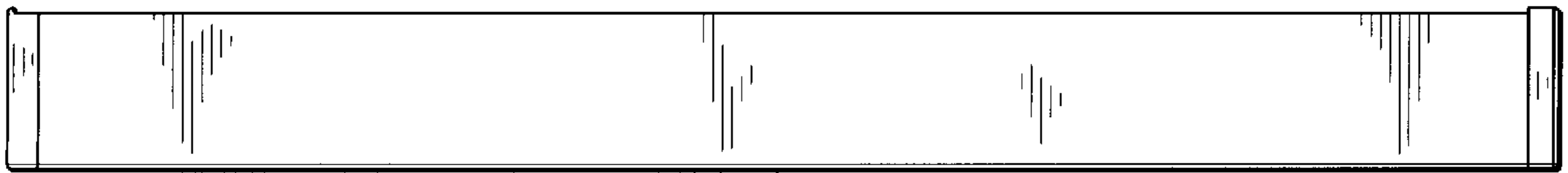


FIG. 3

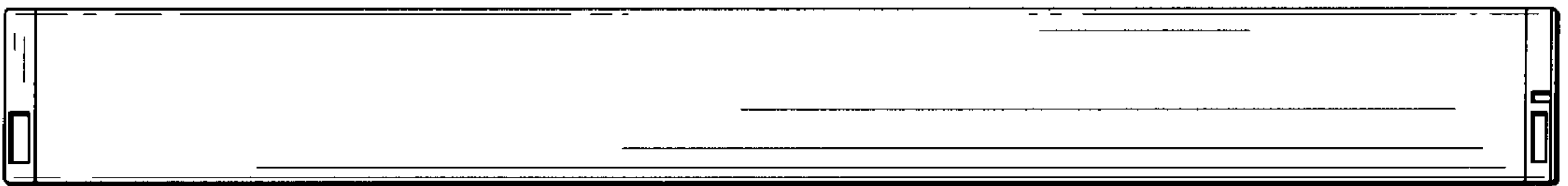


FIG. 4

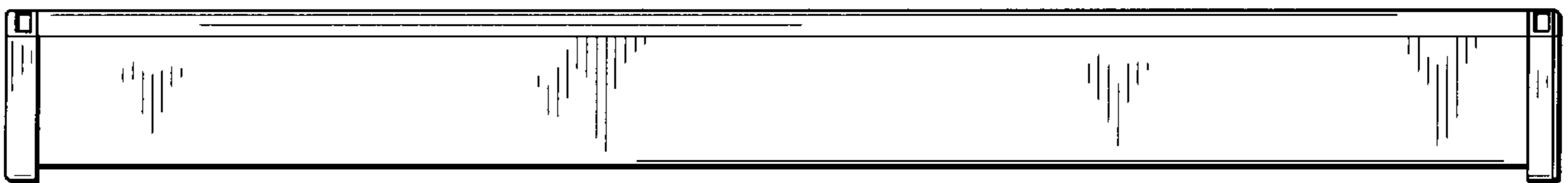


FIG. 5



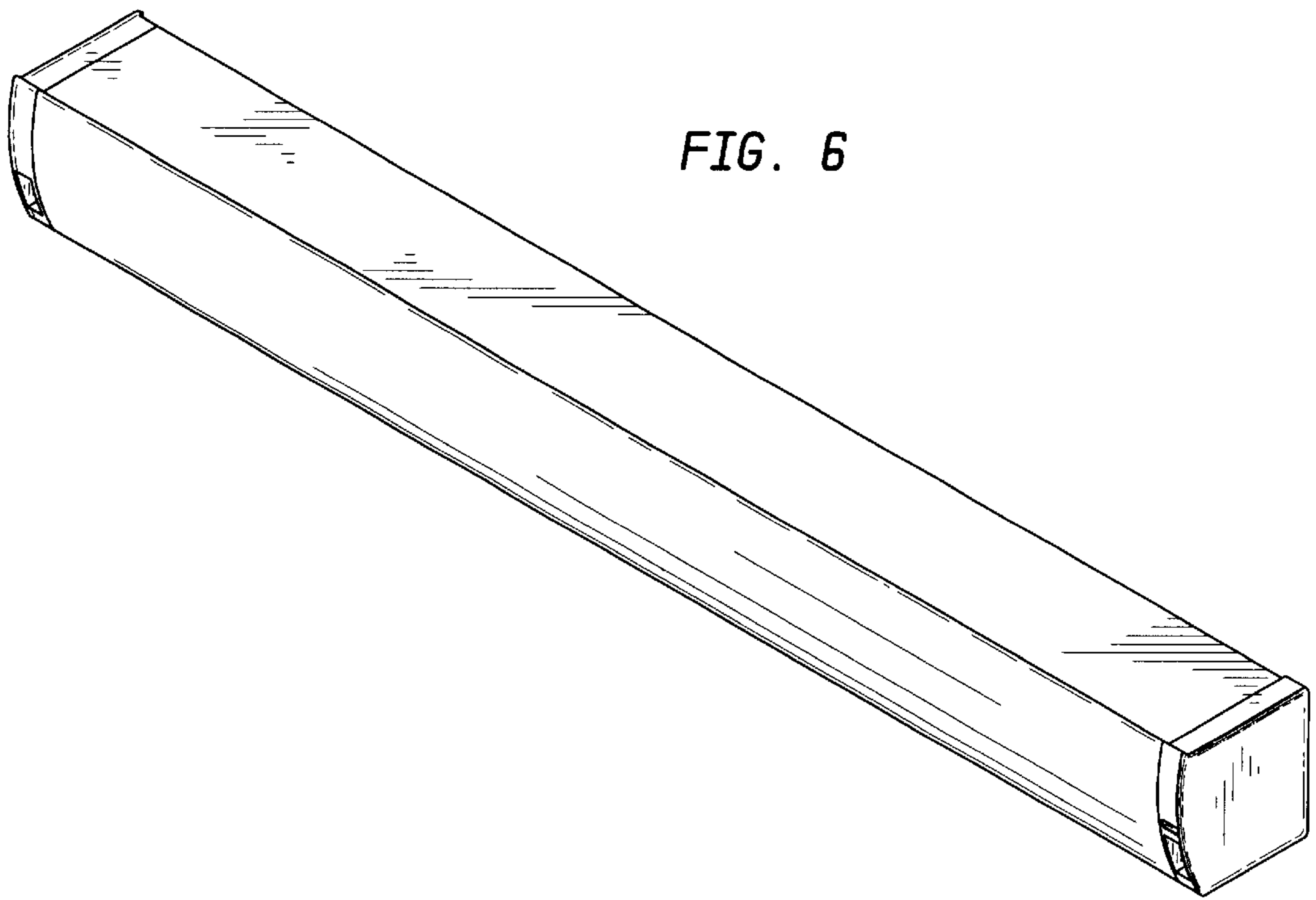


FIG. 6