



US00D487660S

(12) **United States Design Patent**
Sayers et al.

(10) **Patent No.:** **US D487,660 S**
(45) **Date of Patent:** **** Mar. 23, 2004**

(54) **BOTTLE CARRIER**
(75) Inventors: **Richard C. Sayers**, Akron, OH (US);
Richard A. Holmes, Akron, OH (US);
Melissa Ann Pitts, Cuyahoga Falls, OH (US)

D276,503 S 11/1984 Mansau D9/430
D335,080 S 4/1993 Kamen D9/455
5,299,700 A 4/1994 Beniacar 215/12.1
5,648,757 A 7/1997 Vernace et al. 340/539
D419,072 S 1/2000 Khaled D9/517
D444,706 S * 7/2001 Giancaspro D9/455
D448,298 S 9/2001 Simkins D9/455

(73) Assignee: **Joseph S. Kanfer**, Richfield, OH (US)
(**) Term: **14 Years**

* cited by examiner

Primary Examiner—Brian N. Vinson
(74) *Attorney, Agent, or Firm*—Renner, Kenner, Greive,
Bobak, Taylor & Weber

(21) Appl. No.: **29/183,744**
(22) Filed: **Jun. 18, 2003**

(57) **CLAIM**

(51) **LOC (7) Cl.** **06-06**
(52) **U.S. Cl.** **D6/513; D9/455**
(58) **Field of Search** D6/513, 542; 206/277,
206/77.1, 486, 823; 221/282, 283; 222/173,
180, 181.1; D9/455, 434, 436, 443; 215/395,
399, 737, 751

We claim the ornamental design for bottle carrier, as shown and described.

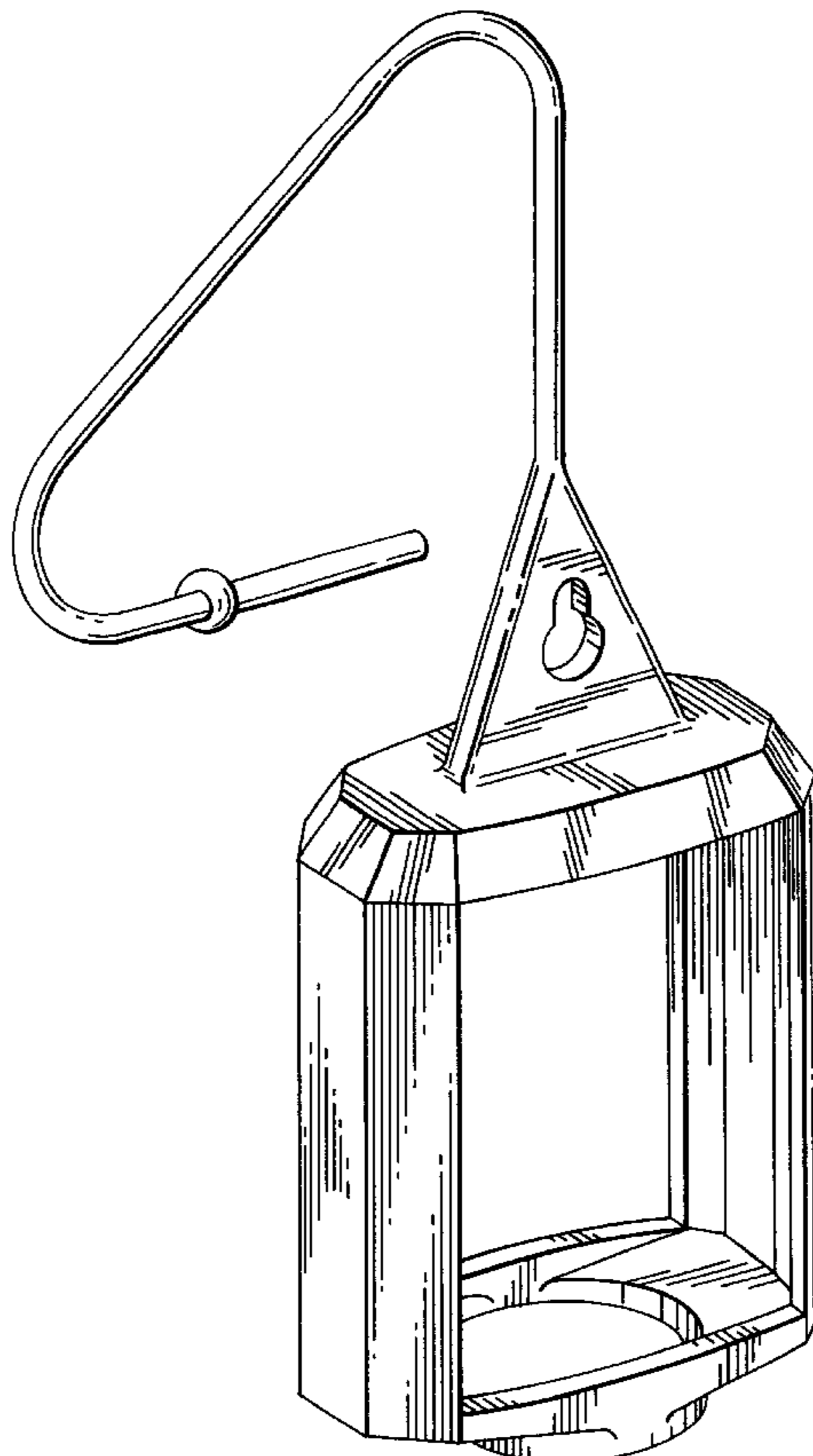
DESCRIPTION

(56) **References Cited**
U.S. PATENT DOCUMENTS

FIG. 1 is a perspective view showing our new design for a bottle carrier.
FIG. 2 is a top plan view thereof.
FIG. 3 is a side elevational view thereof, the opposed side being a mirror image thereof.
FIG. 4 is an end elevational view thereof taken from the right of FIG. 3.
FIG. 5 is a side elevational view taken from the left of FIG. 3; and,
FIG. 6 is a bottom plan view thereof.

2,930,502 A	3/1960	Klein	
3,610,671 A	10/1971	Conger	294/33
3,688,935 A	9/1972	Owen et al.	215/100
3,807,679 A	4/1974	Burke et al.	248/359
3,865,339 A	2/1975	Von Alven	248/318
4,168,783 A	9/1979	Gargione	215/100
4,371,087 A	2/1983	Saujet	215/12

1 Claim, 3 Drawing Sheets



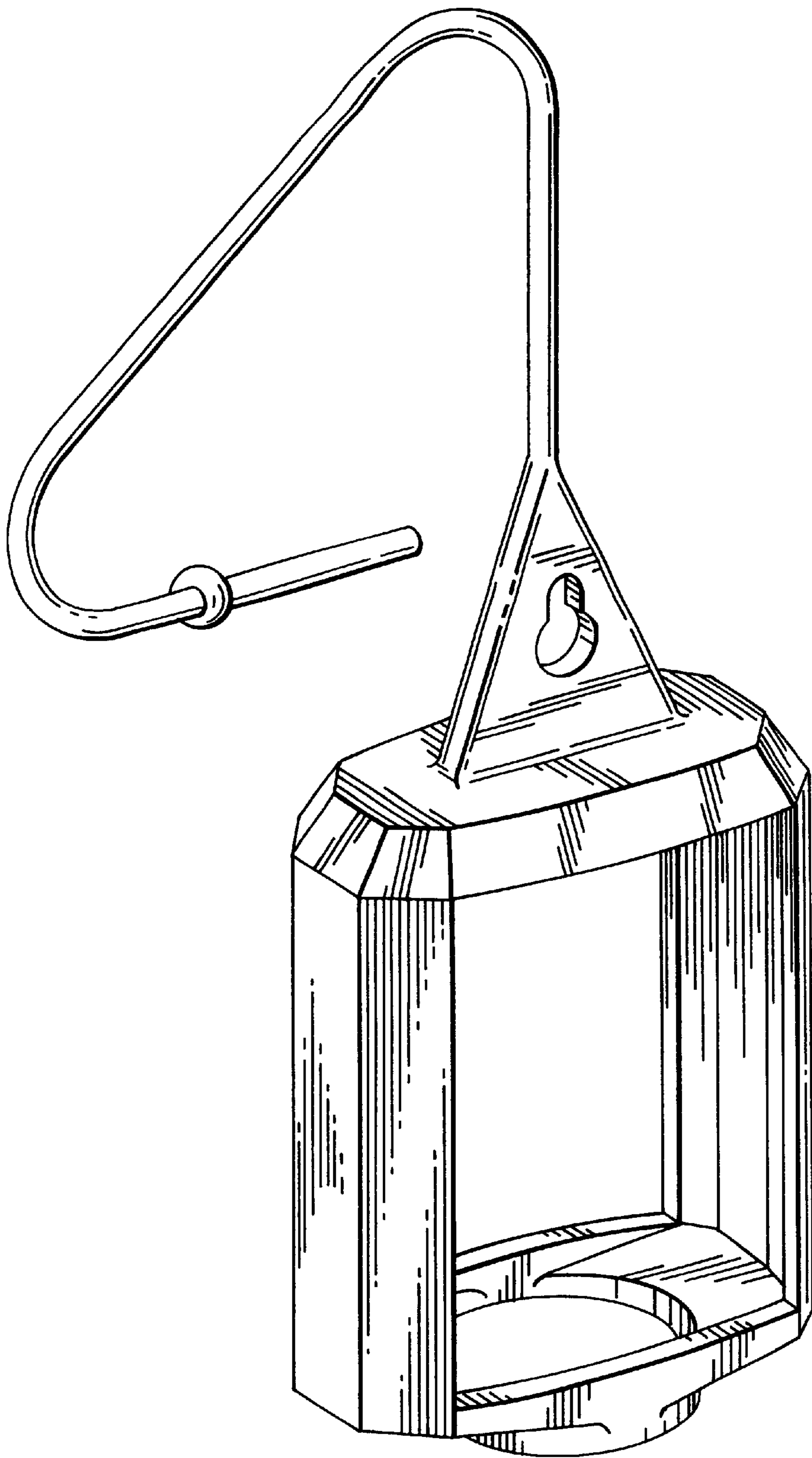


FIG. 1

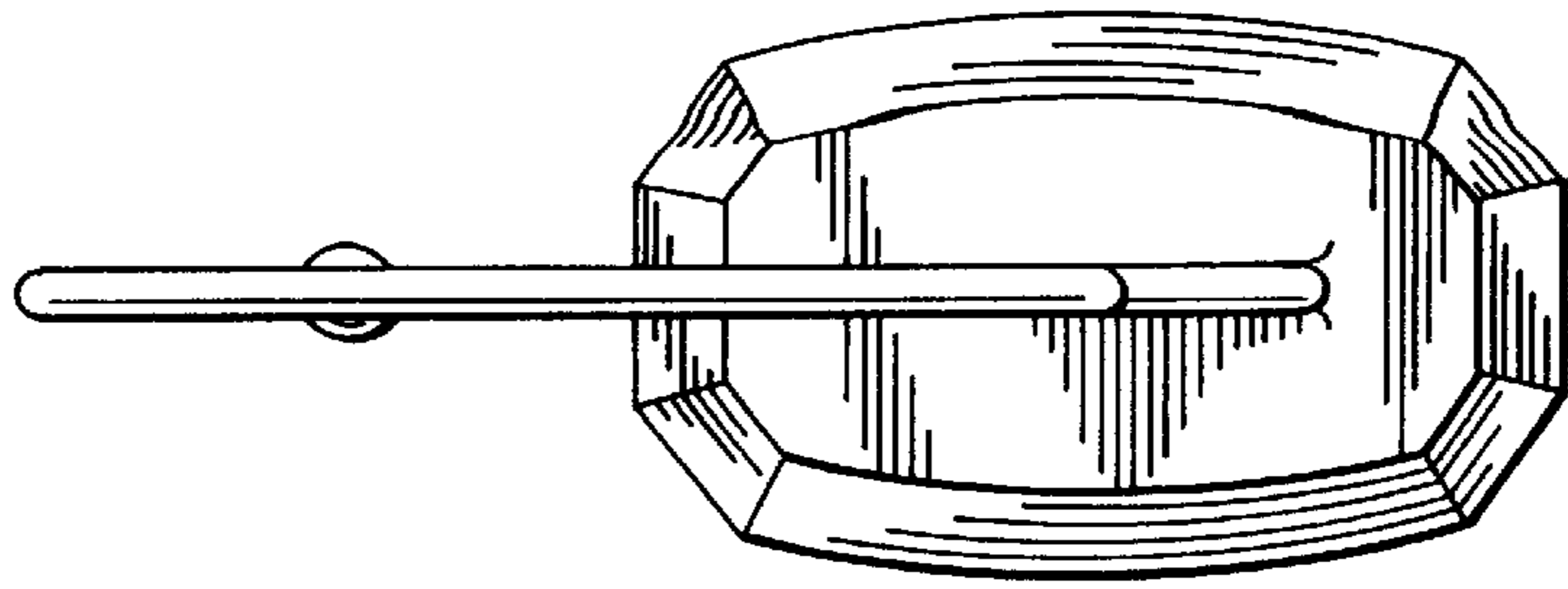


FIG. 2

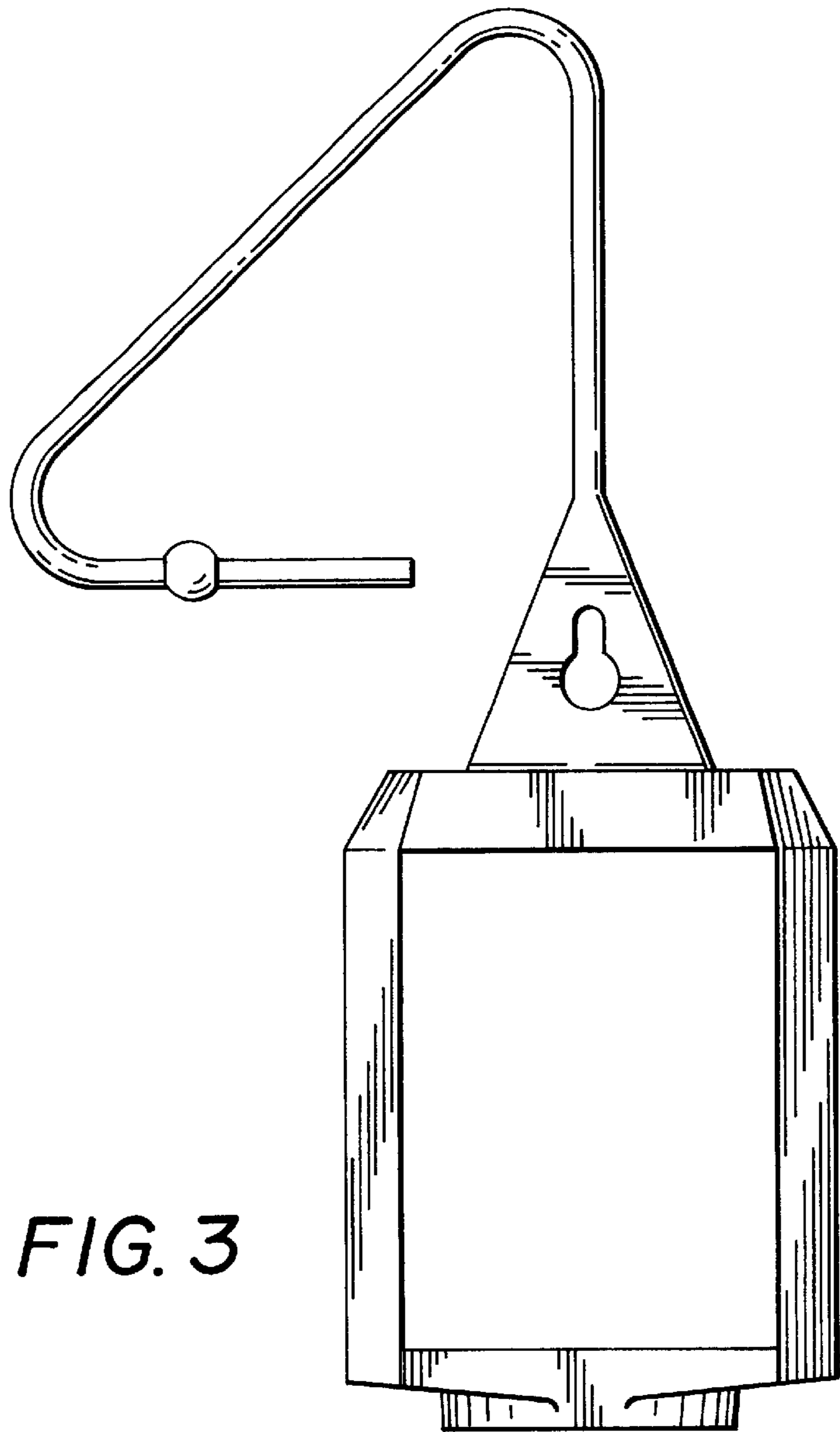


FIG. 3

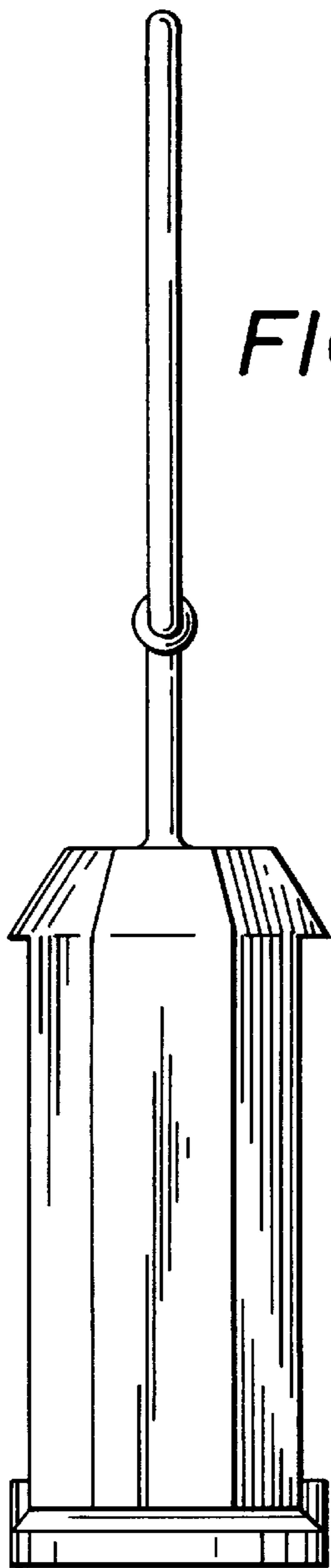


FIG. 4

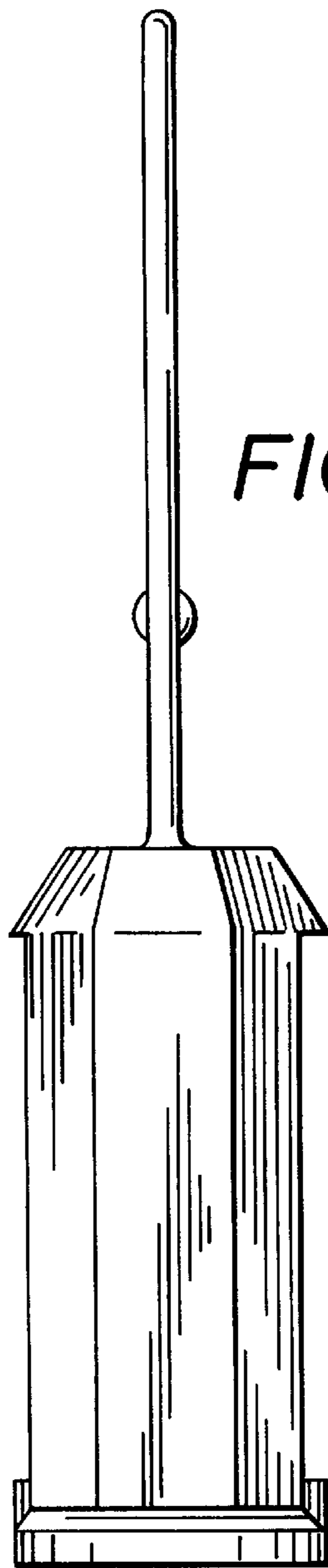


FIG. 5

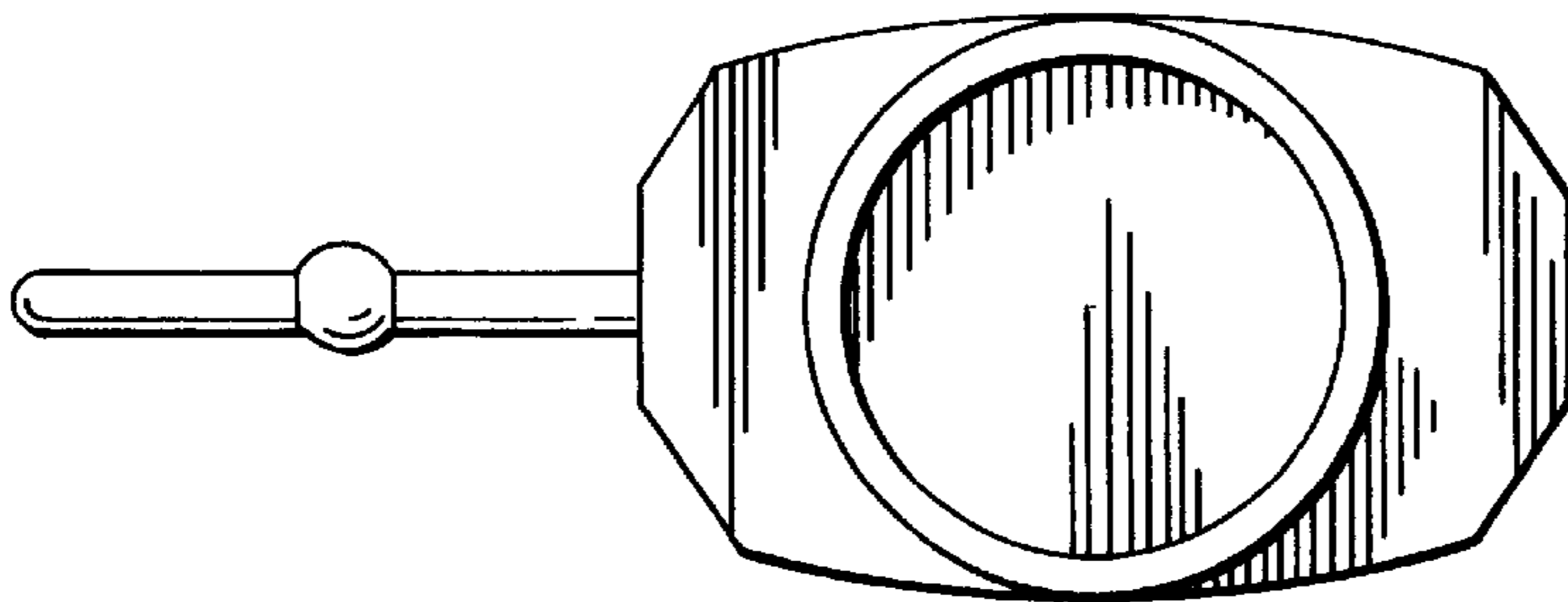


FIG. 6