



US00D487656S

(12) **United States Design Patent**
Sturhan et al.

(10) **Patent No.:** **US D487,656 S**
(45) **Date of Patent:** **** Mar. 23, 2004**

(54) **TOOL BOX SEAT BASE FOR A VEHICLE SEAT**

6,386,612 B2 * 5/2002 Hofmann et al. 296/37.15
6,390,547 B1 * 5/2002 Spykerman 297/188.1

(75) Inventors: **Wilhelm Sturhan**, Battle Creek, MI (US); **Daryl B. Timms**, Battle Creek, MI (US)

* cited by examiner

Primary Examiner—Doris V. Coles
Assistant Examiner—Mimosa De
(74) *Attorney, Agent, or Firm*—Salter & Michaelson

(73) Assignee: **Knoedler Manufacturers, Inc.**, Battle Creek, MI (US)

(57) **CLAIM**

(**) Term: **14 Years**

The ornamental design for a tool box seat base for a vehicle seat, as shown and described.

(21) Appl. No.: **29/180,916**

DESCRIPTION

(22) Filed: **May 1, 2003**

(51) **LOC (7) Cl.** **06-06**

(52) **U.S. Cl.** **D6/500**; D6/336

(58) **Field of Search** D6/334, 335, 336,
D6/360, 364, 365, 367, 368, 500–502;
297/188.01, 188.08, 188.09, 188.13, 232,
188.1; 296/37.15, 65.01, 65.05

FIG. 1 is a perspective view of a tool box seat base for a vehicle seat showing our new design;
FIG. 2 is a perspective view showing the tool box seat base in open position;
FIG. 3 is an enlarged perspective view of the tool box seat base;
FIG. 4 is a top plan view thereof;
FIG. 5 is a bottom plan view thereof;
FIG. 6 is a front elevational view thereof;
FIG. 7 is a rear elevational view thereof;
FIG. 8 is a left side elevational view thereof; and,
FIG. 9 is a right side elevational view thereof.

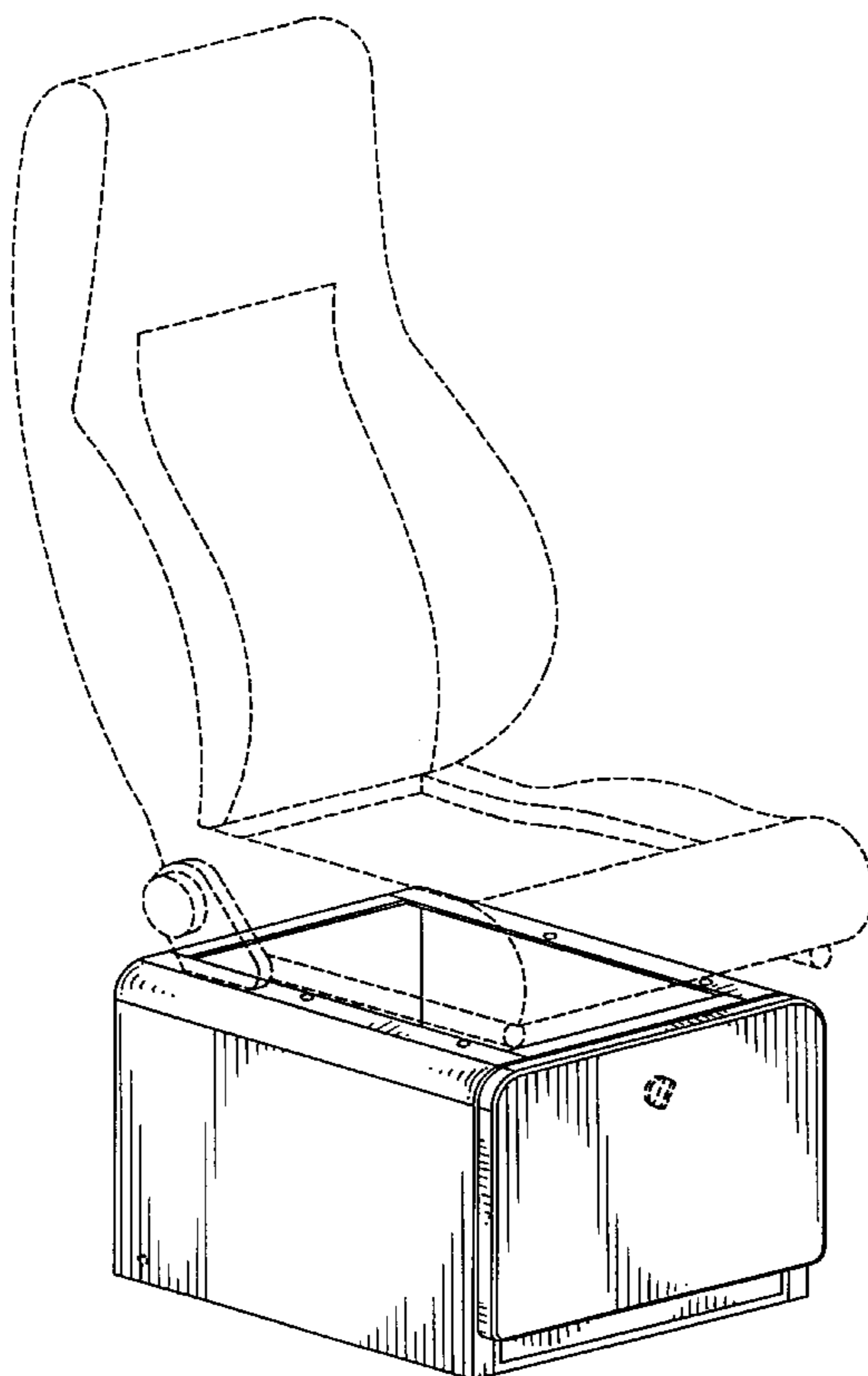
The portions shown in broken lines in all of the figures are information only, and form no part of the claimed design.

(56) **References Cited**

U.S. PATENT DOCUMENTS

- 3,099,482 A * 7/1963 Woodruff, Sr. 297/188.09
- 3,213,467 A * 10/1965 Hubbard 297/188.13
- D297,287 S * 8/1988 Lopez D6/356
- 4,883,317 A * 11/1989 Davenport 297/188.1
- 5,816,650 A * 10/1998 Lucas, Jr. 297/188.1
- 6,343,837 B1 * 2/2002 Gage 297/188.13

1 Claim, 7 Drawing Sheets



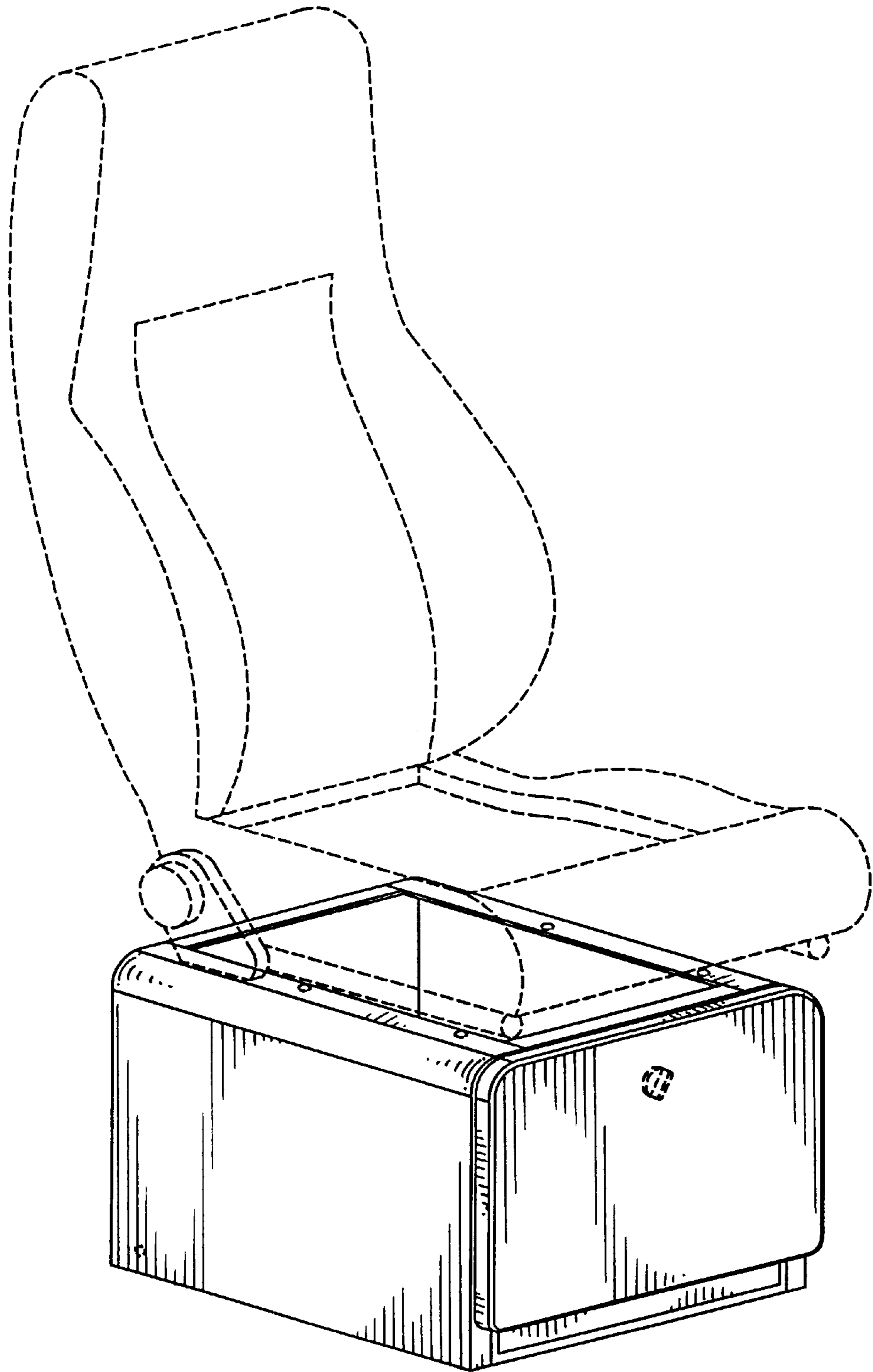


FIG. 1

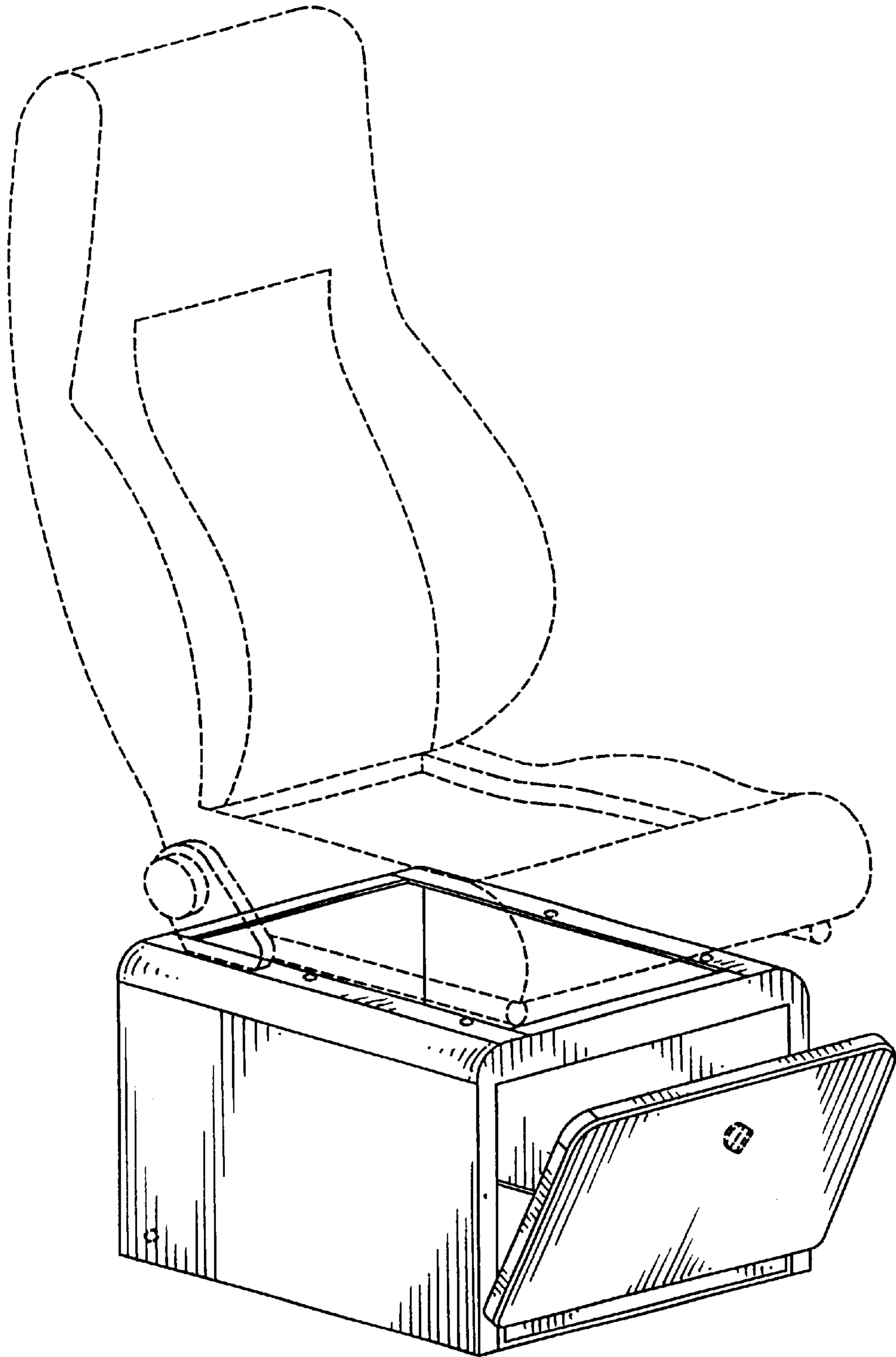


FIG. 2

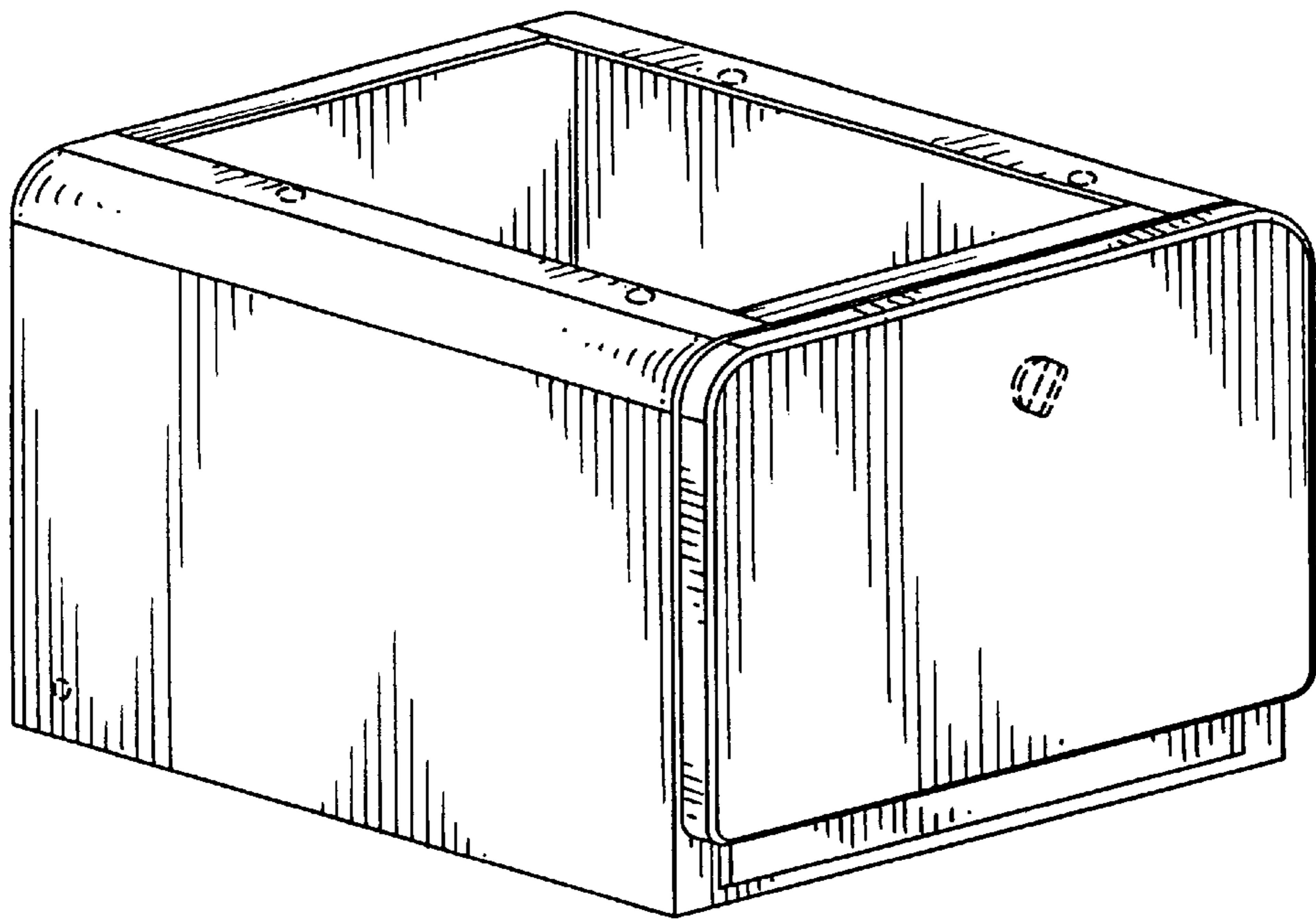


FIG. 3

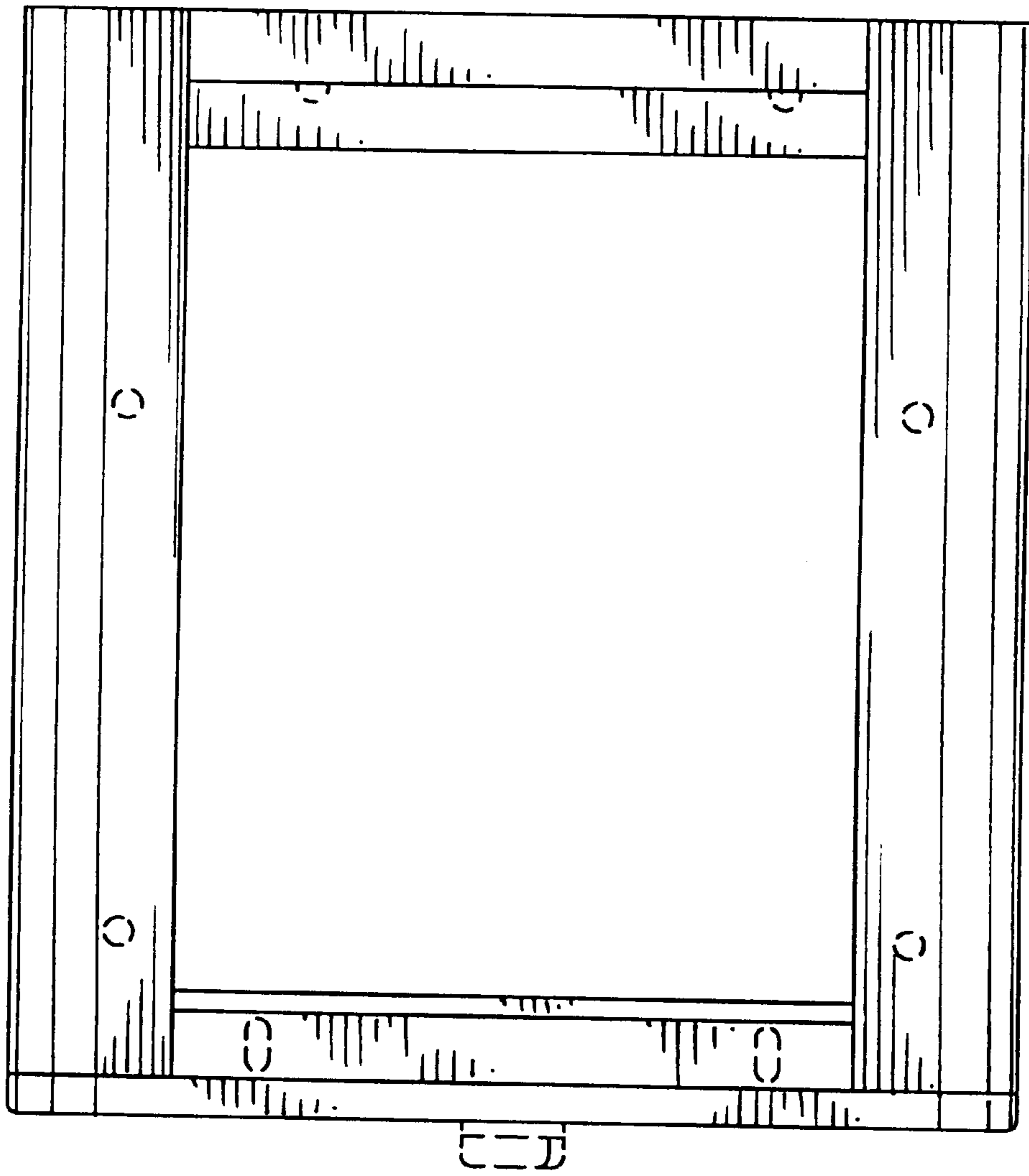


FIG. 4

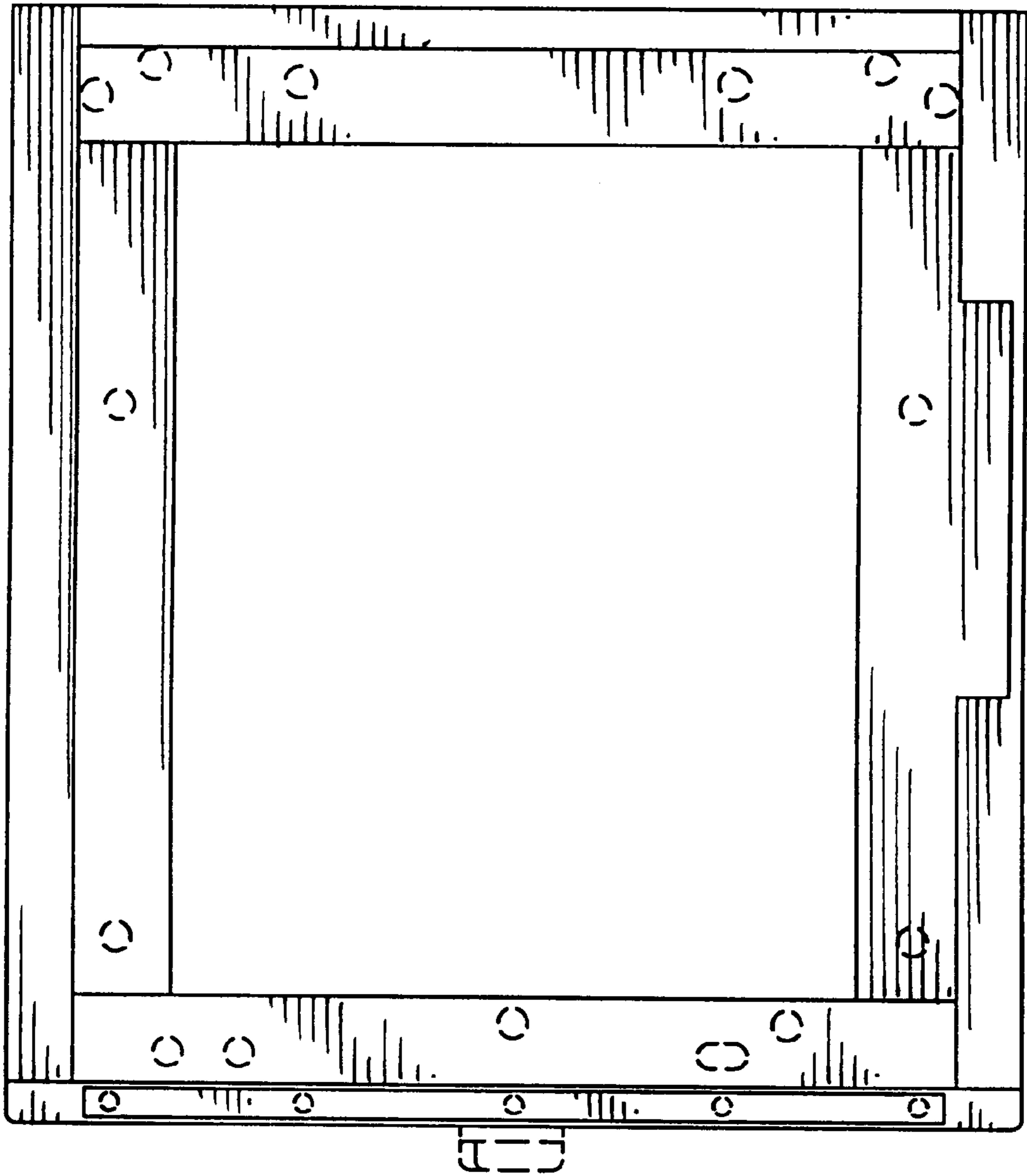


FIG. 5

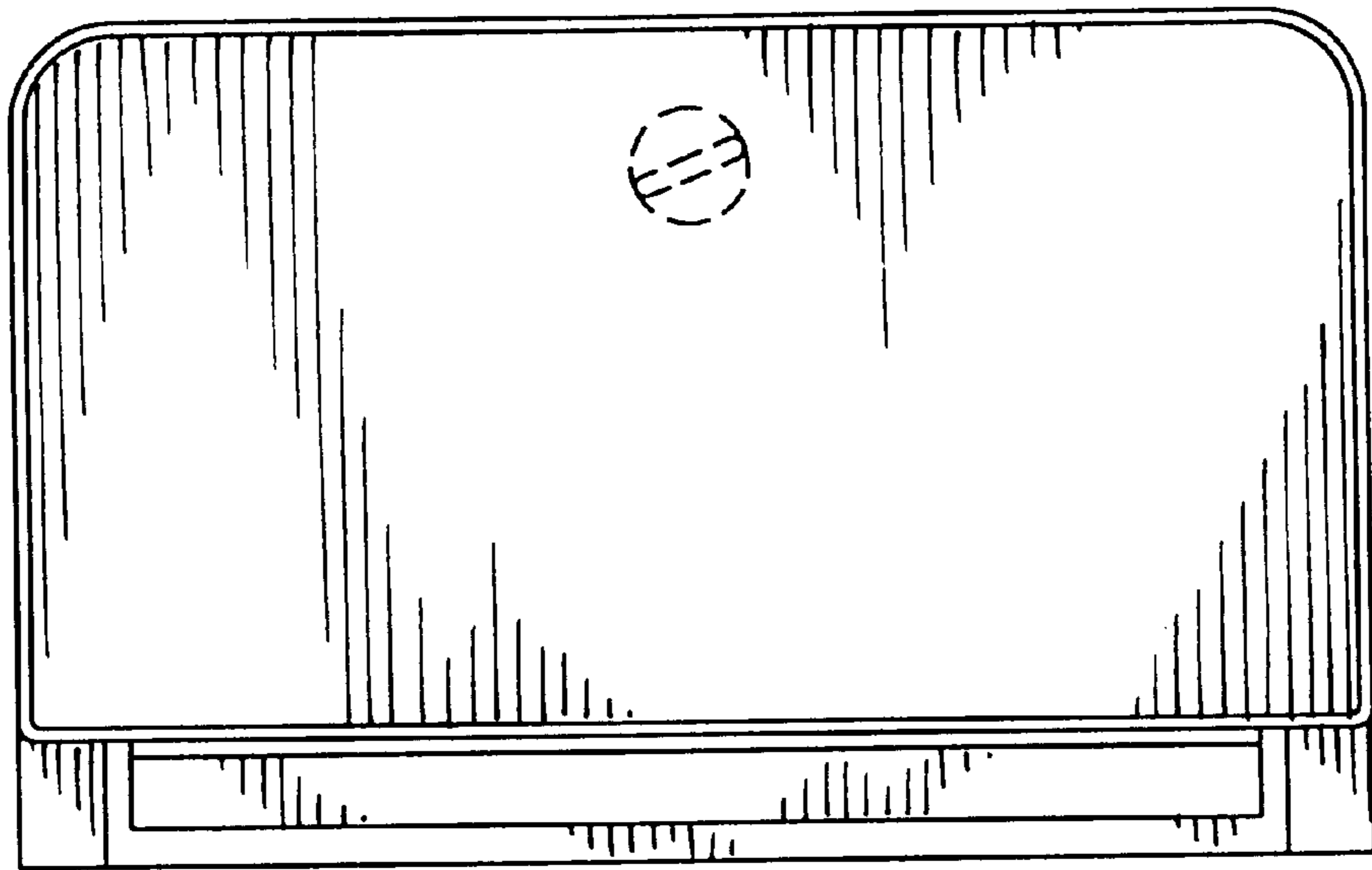


FIG. 6

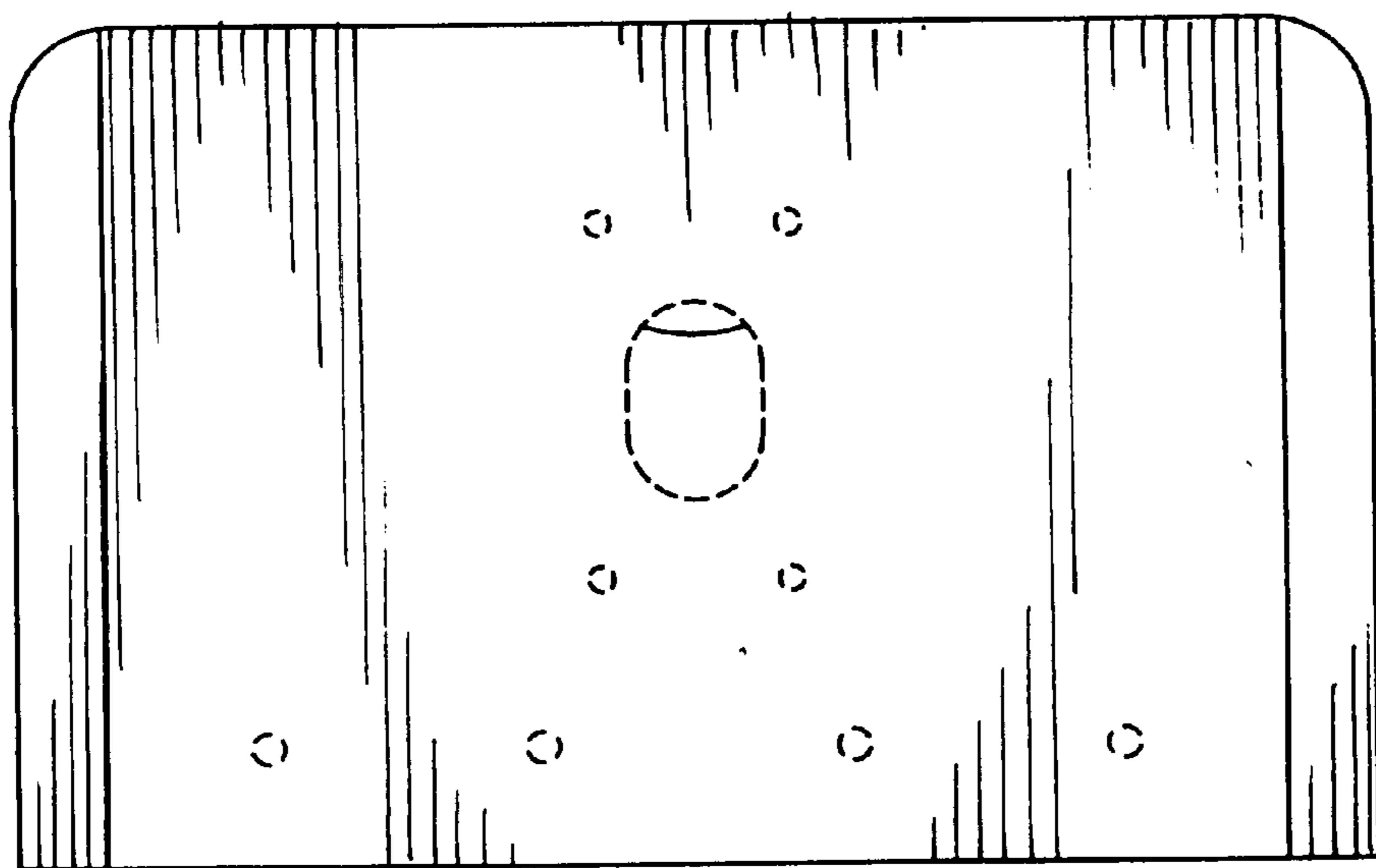


FIG. 7

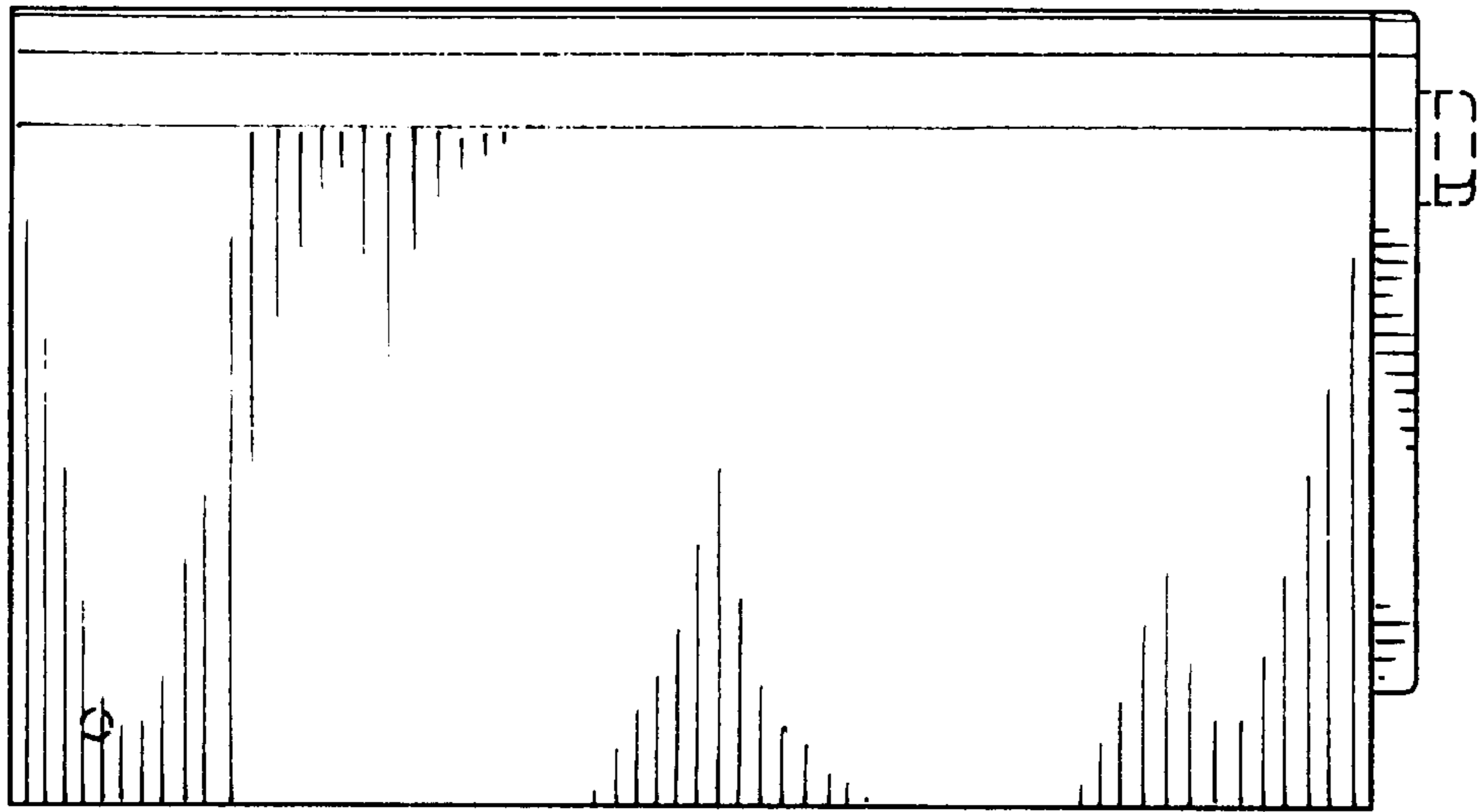


FIG. 8

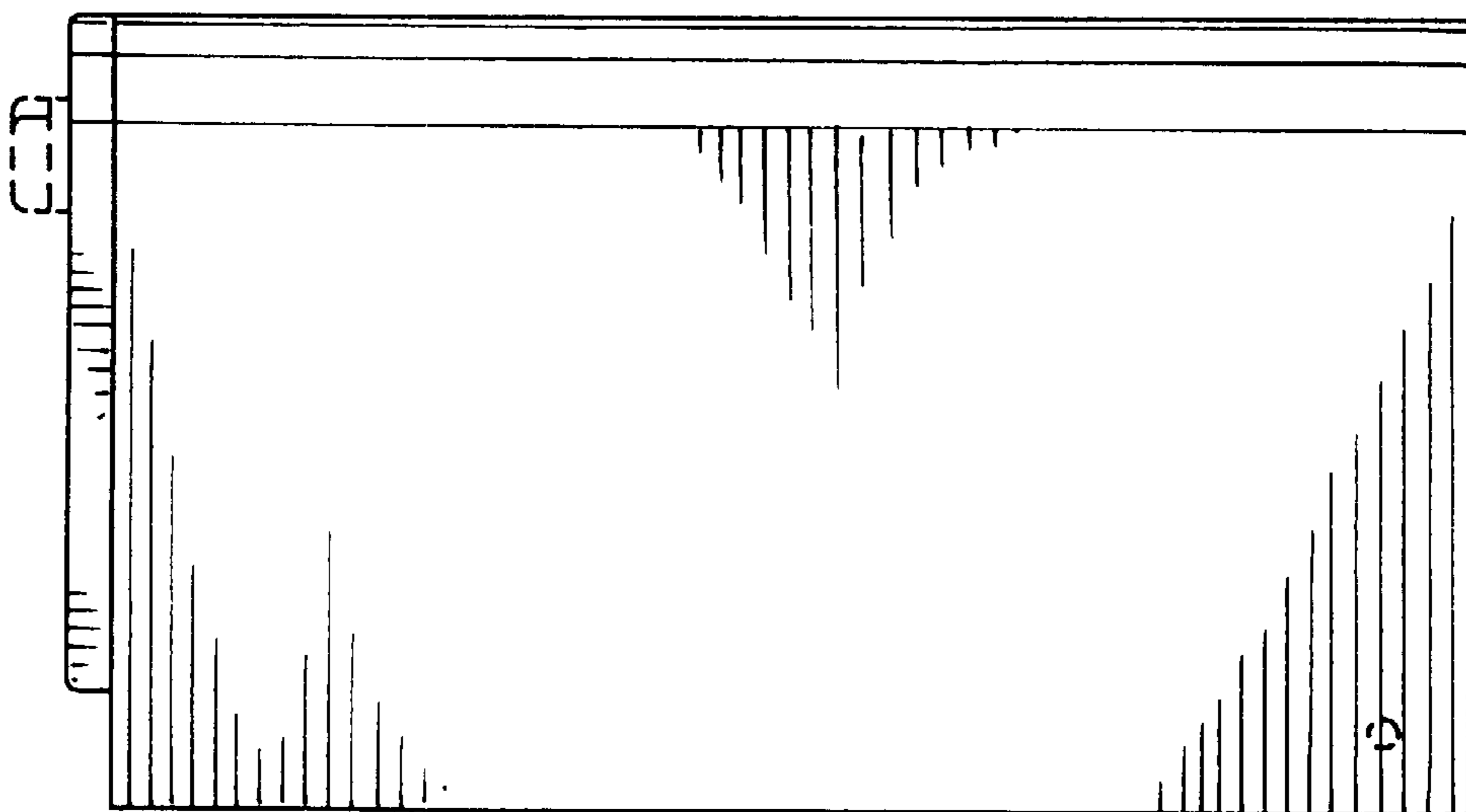


FIG. 9