



US00D487655S

(12) **United States Design Patent**
Varsi

(10) **Patent No.:** **US D487,655 S**

(45) **Date of Patent:** **** Mar. 23, 2004**

(54) **EXTENSIBLE TABLE**

(75) **Inventor:** **Maurizio Varsi**, Levanto (IT)

(73) **Assignee:** **Solage Holding S.A.**, Luxembourg (LU)

(**) **Term:** **14 Years**

(21) **Appl. No.:** **29/181,022**

(22) **Filed:** **May 2, 2003**

(51) **LOC (7) Cl.** **06-03**

(52) **U.S. Cl.** **D6/484**

(58) **Field of Search** D6/480-489, 495, D6/511; 108/153.1, 155, 156, 157.1, 161, 65, 69, 70, 77, 78, 83; 248/188, 188.1, 188.8

(56) **References Cited**

U.S. PATENT DOCUMENTS

738,367 A	*	9/1903	Smith	108/69
2,643,924 A	*	6/1953	Albano	108/77
D188,900 S	*	9/1960	Knoll	D6/484
D214,741 S	*	7/1969	Dean	D6/484
D220,704 S	*	5/1971	Kramer	D6/484

D244,114 S	*	4/1977	Neff	D6/484
4,919,109 A	*	4/1990	Riley	108/65 X
5,513,574 A	*	5/1996	Collins	108/36
D431,398 S	*	10/2000	Luong et al.	D6/484

* cited by examiner

Primary Examiner—Janice E. Seeger
(74) *Attorney, Agent, or Firm*—Armstrong, Kratz, Quintos, Hanson & Brooks, LLP

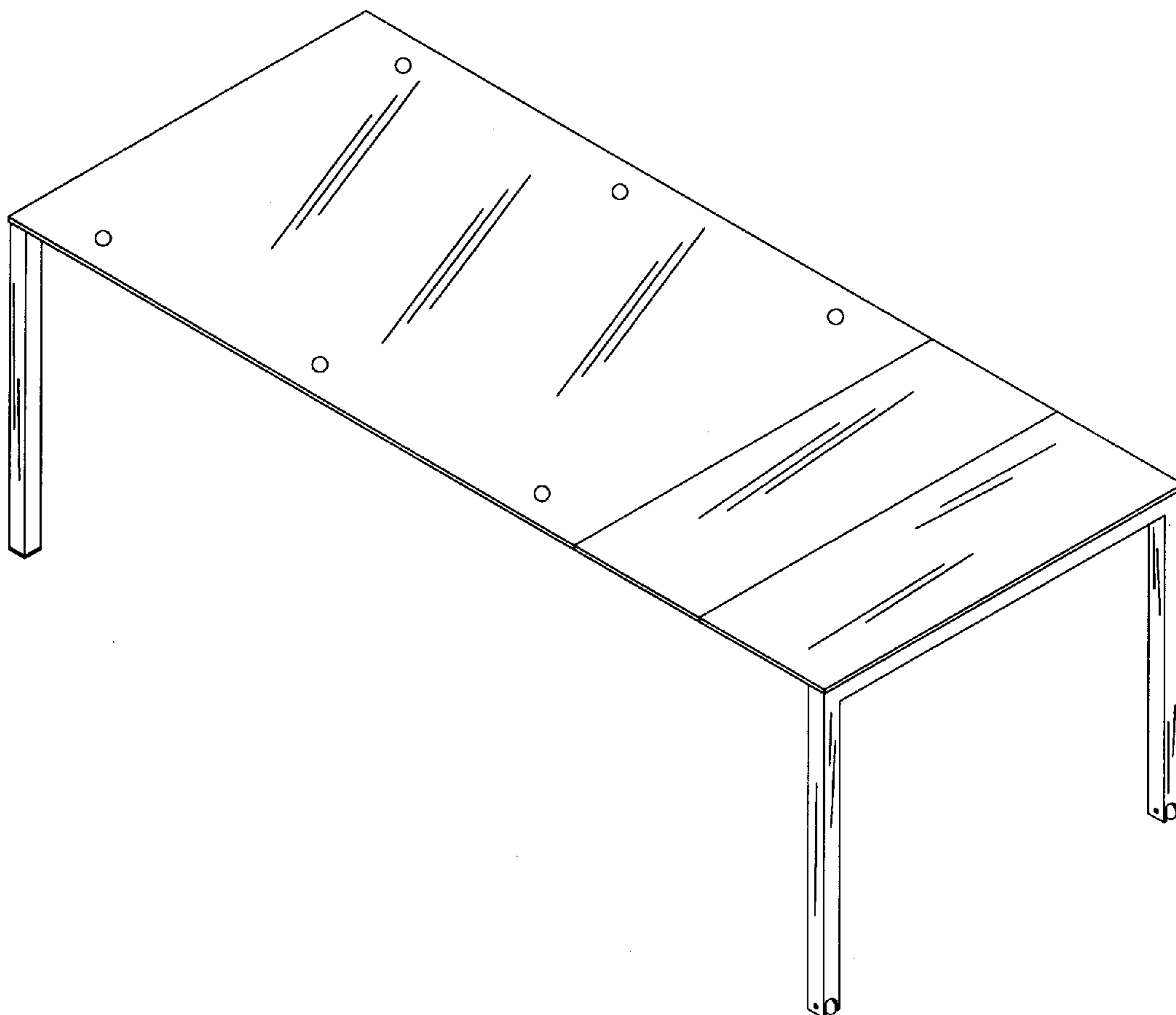
(57) **CLAIM**

The ornamental design for an extensible table, as shown and described.

DESCRIPTION

FIG. 1 is a left perspective view of an extensible table, showing my new design.
FIG. 2 is a right perspective view thereof.
FIG. 3 is a front elevational view thereof.
FIG. 4 is a rear elevational view thereof.
FIG. 5 is a right side elevational view thereof.
FIG. 6 is a left side elevational view thereof.
FIG. 7 is a top plan elevational view thereof; and,
FIG. 8 is a bottom plan elevational view thereof.

1 Claim, 5 Drawing Sheets



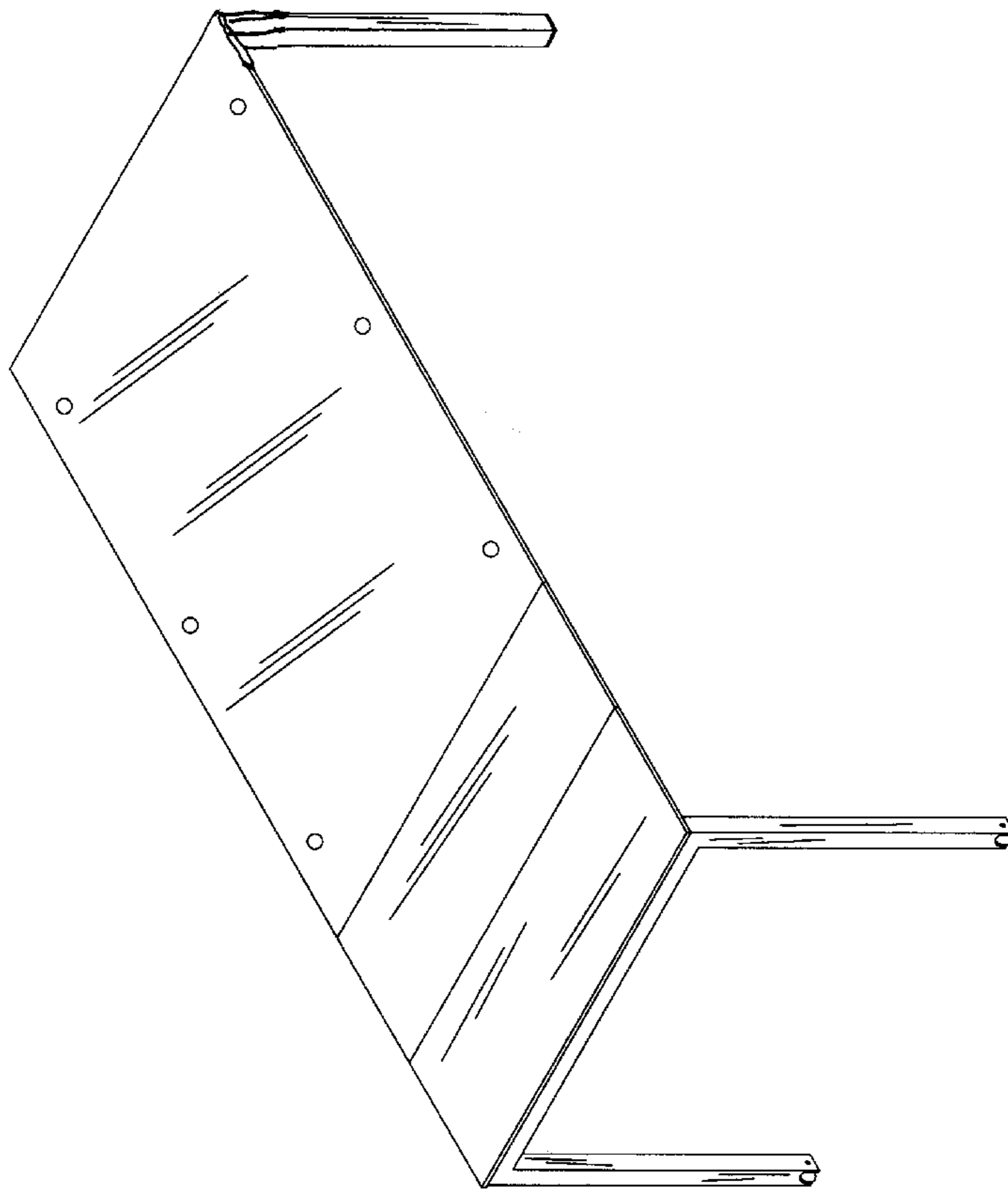


Fig. 1

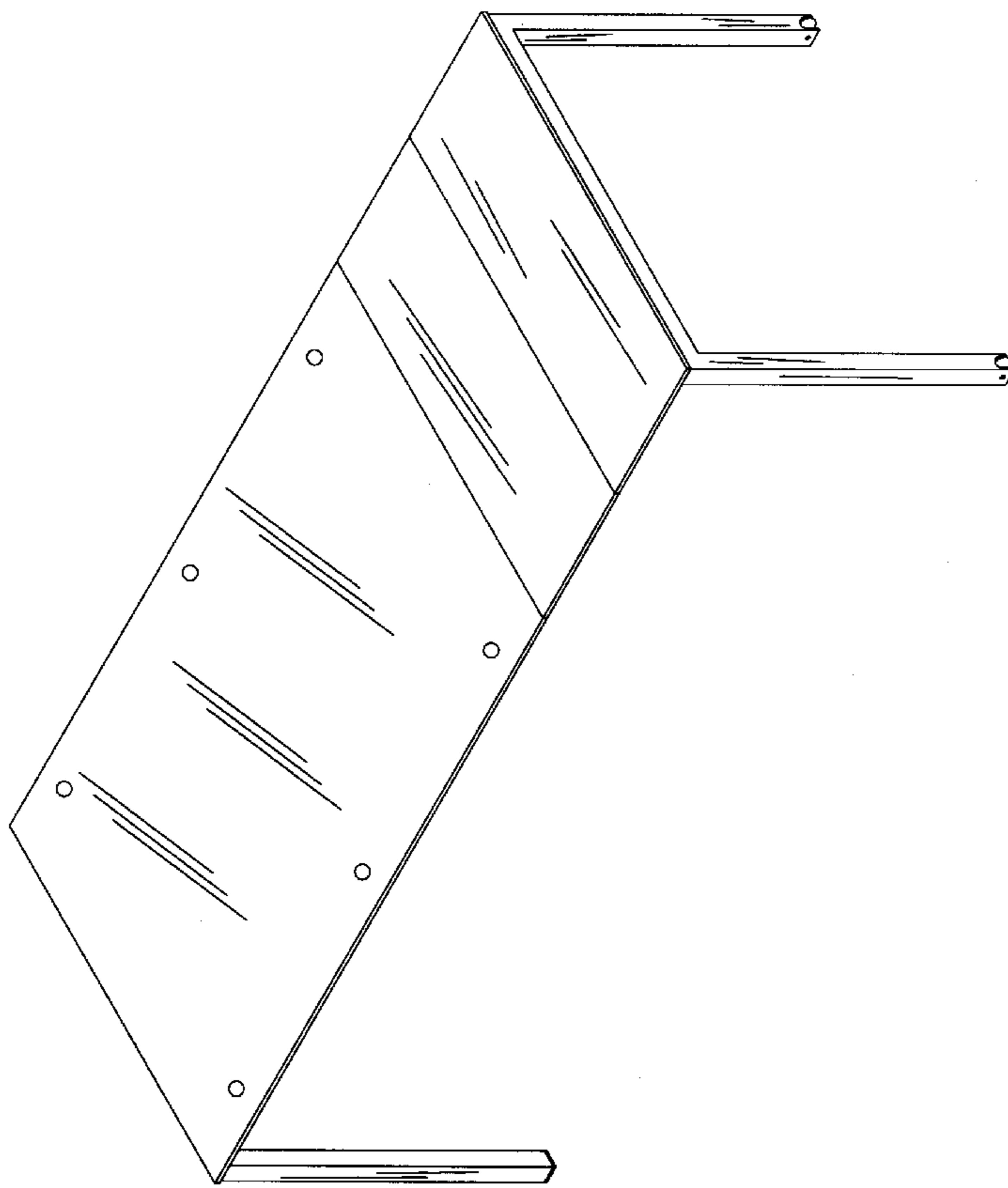


Fig. 2

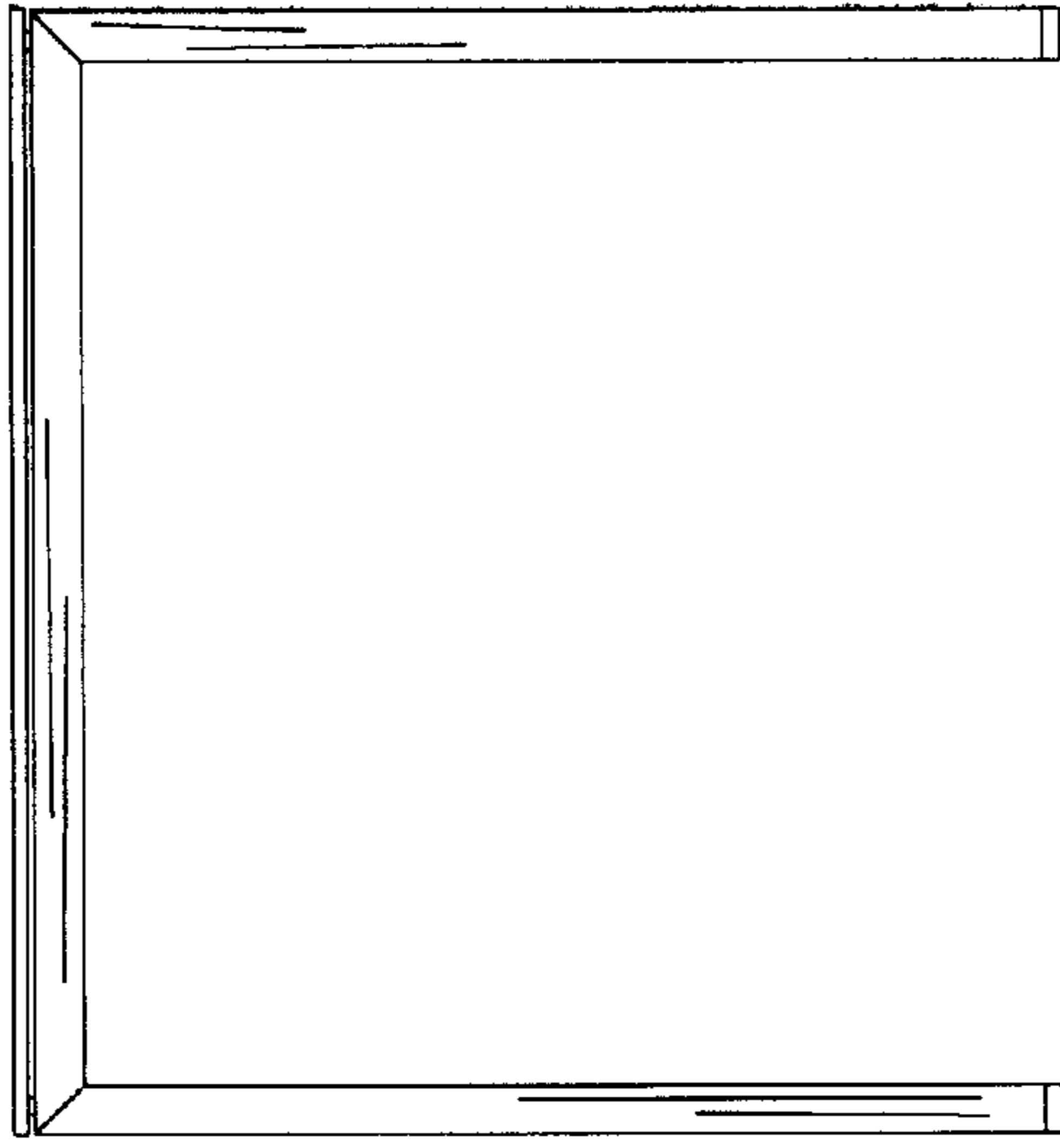


Fig. 4

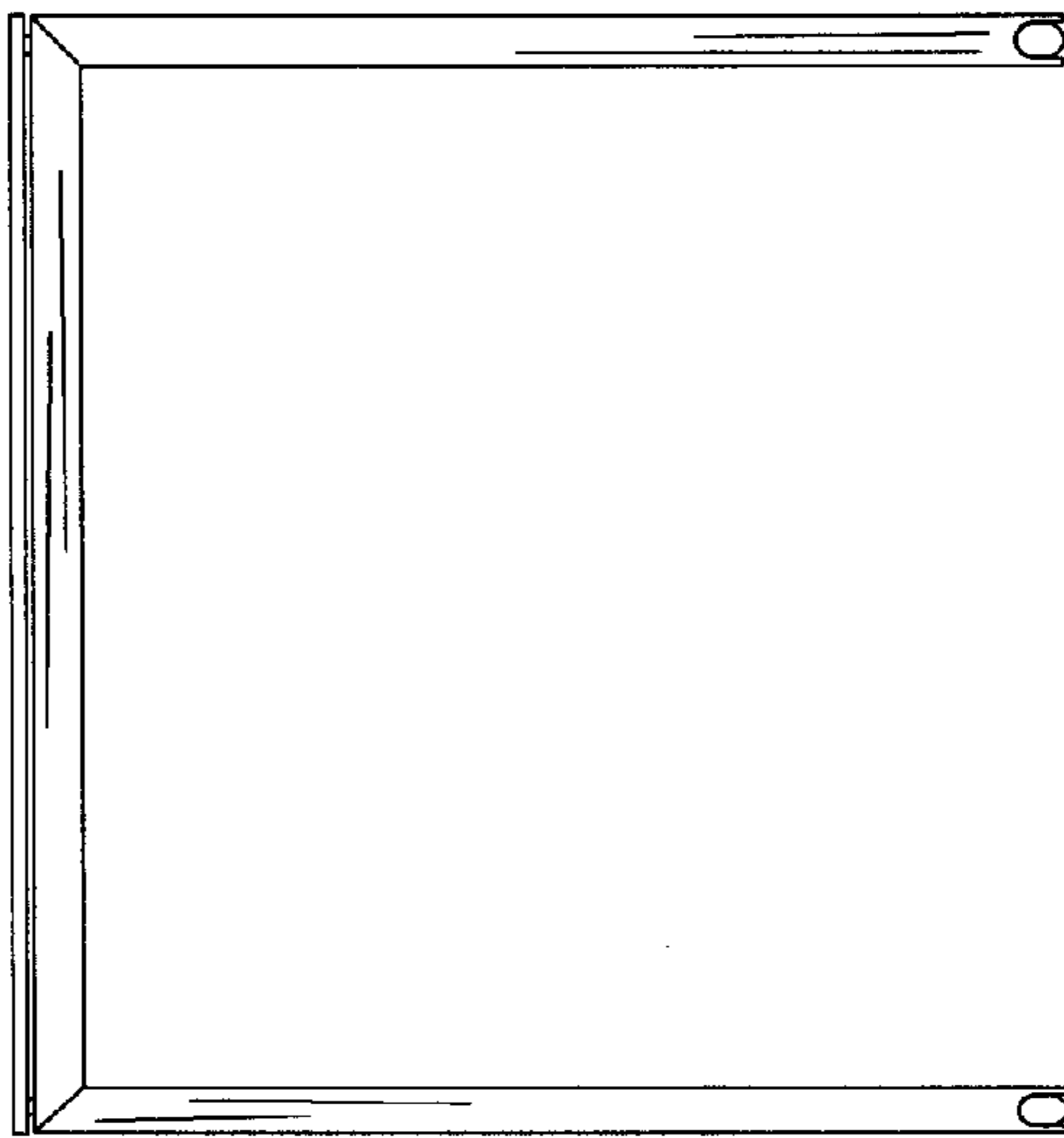


Fig. 3

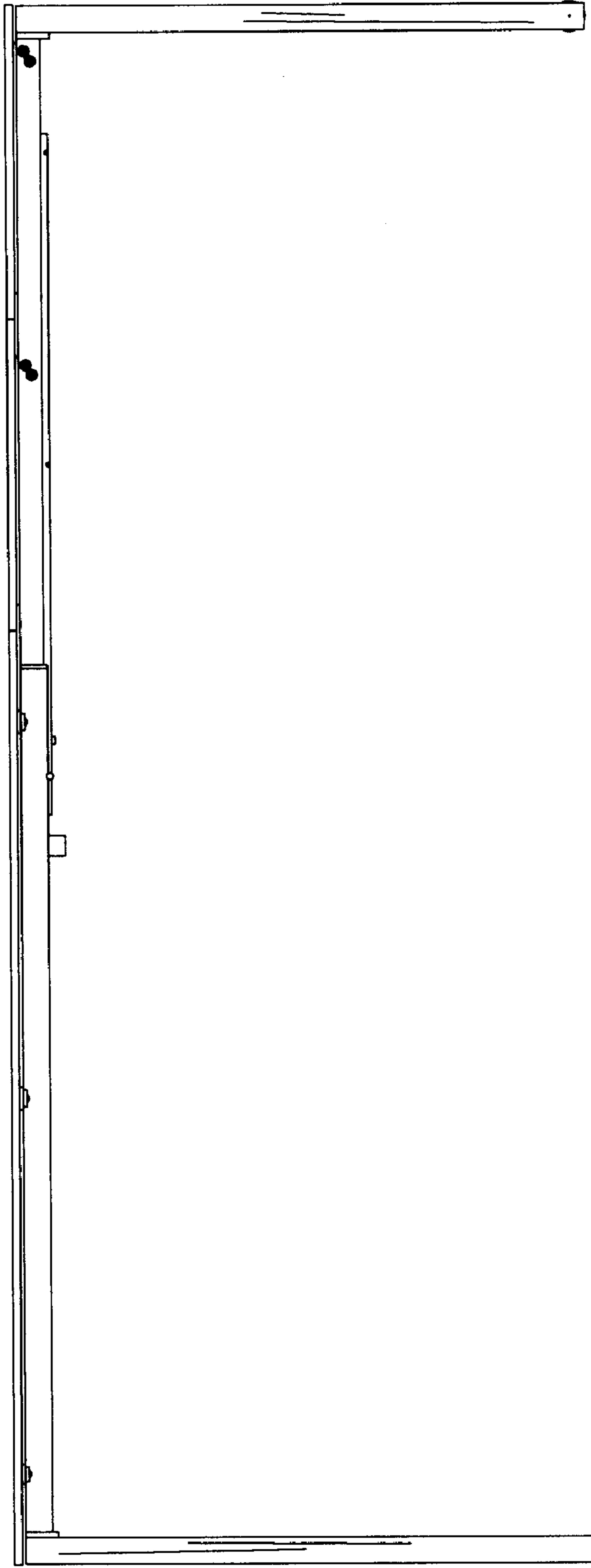


Fig. 5

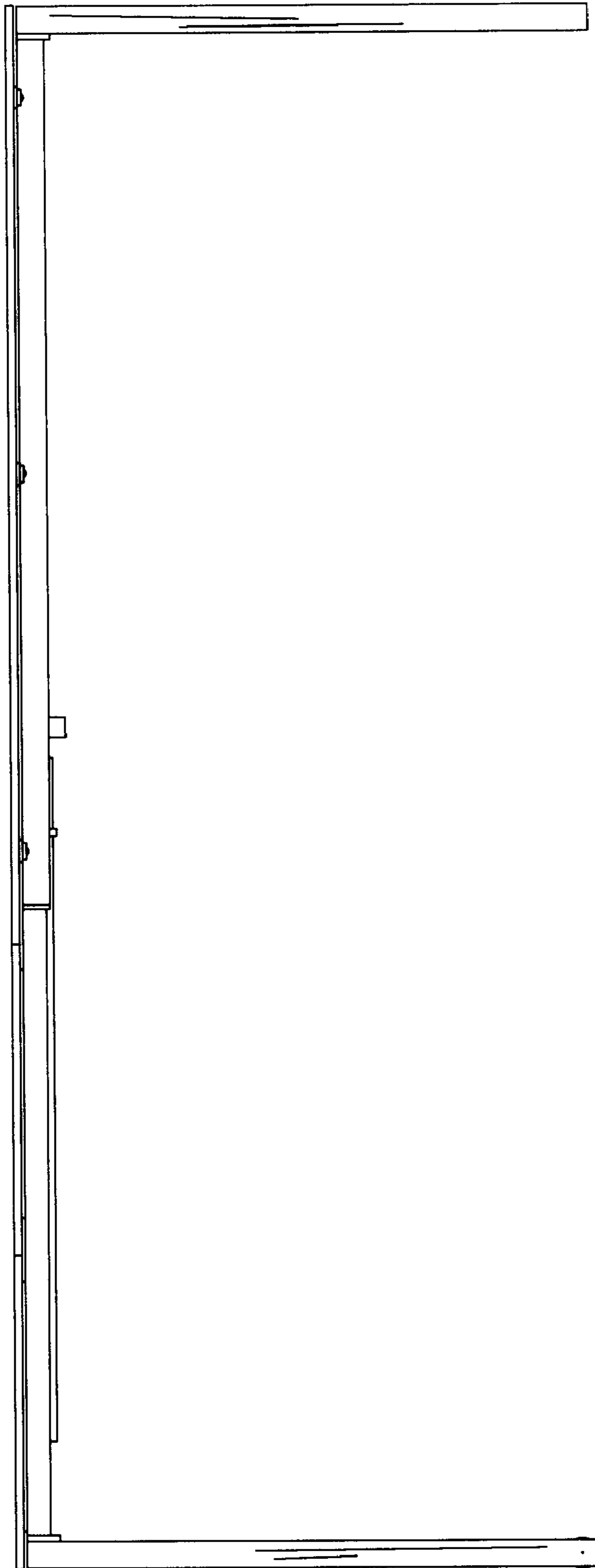


Fig. 6

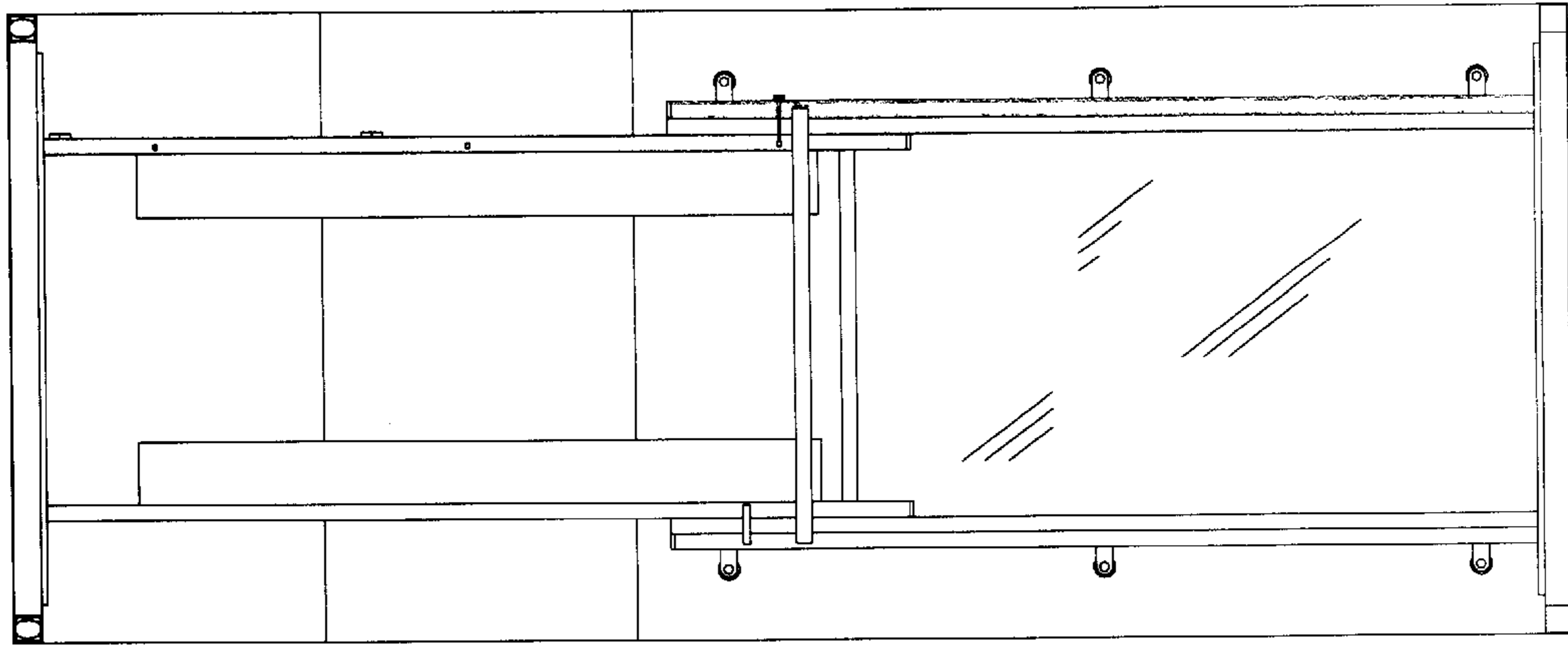


Fig. 8

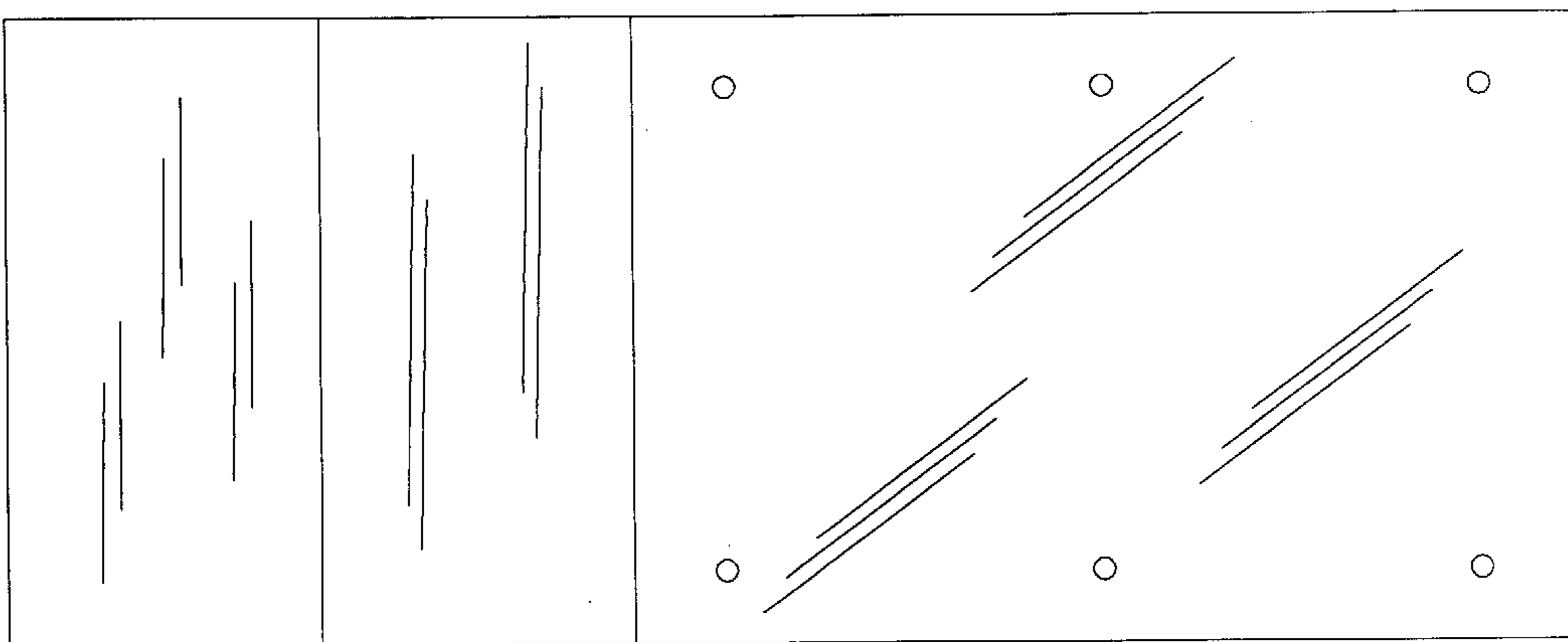


Fig. 7