



US00D487654S

(12) **United States Design Patent**  
**Molteni**

(10) **Patent No.:** **US D487,654 S**

(45) **Date of Patent:** **\*\* Mar. 23, 2004**

(54) **EXTENSIBLE TABLE**

(75) **Inventor:** **Daniele Molteni, Cantu (IT)**

(73) **Assignee:** **Solage Holding S.A., Luxembourg (LU)**

(\*\*) **Term:** **14 Years**

(21) **Appl. No.:** **29/181,020**

(22) **Filed:** **May 2, 2003**

(30) **Foreign Application Priority Data**

Nov. 8, 2002 (IT) ..... AN2002O0025

(51) **LOC (7) Cl.** ..... **06-03**

(52) **U.S. Cl.** ..... **D6/484**

(58) **Field of Search** ..... D6/480-489, 495,  
D6/511; 108/153.1, 155, 156, 157.1, 161,  
65, 69, 70, 77, 78, 83; 248/188, 188.1,  
188.8

(56) **References Cited**

**U.S. PATENT DOCUMENTS**

D188,900 S \* 9/1960 Knoll ..... D6/484  
D214,741 S \* 7/1969 Dean ..... D6/484

D218,903 S \* 10/1970 Chichester, Jr. .... D6/484  
D243,983 S \* 4/1977 Carter ..... D6/484  
D273,448 S \* 4/1984 Colquhoun ..... D6/485  
D296,057 S \* 6/1988 Rosen ..... D6/484

\* cited by examiner

*Primary Examiner*—Janice E. Seeger  
(74) *Attorney, Agent, or Firm*—Armstrong, Kratz, Quintos,  
Hanson & Brooks, LLP

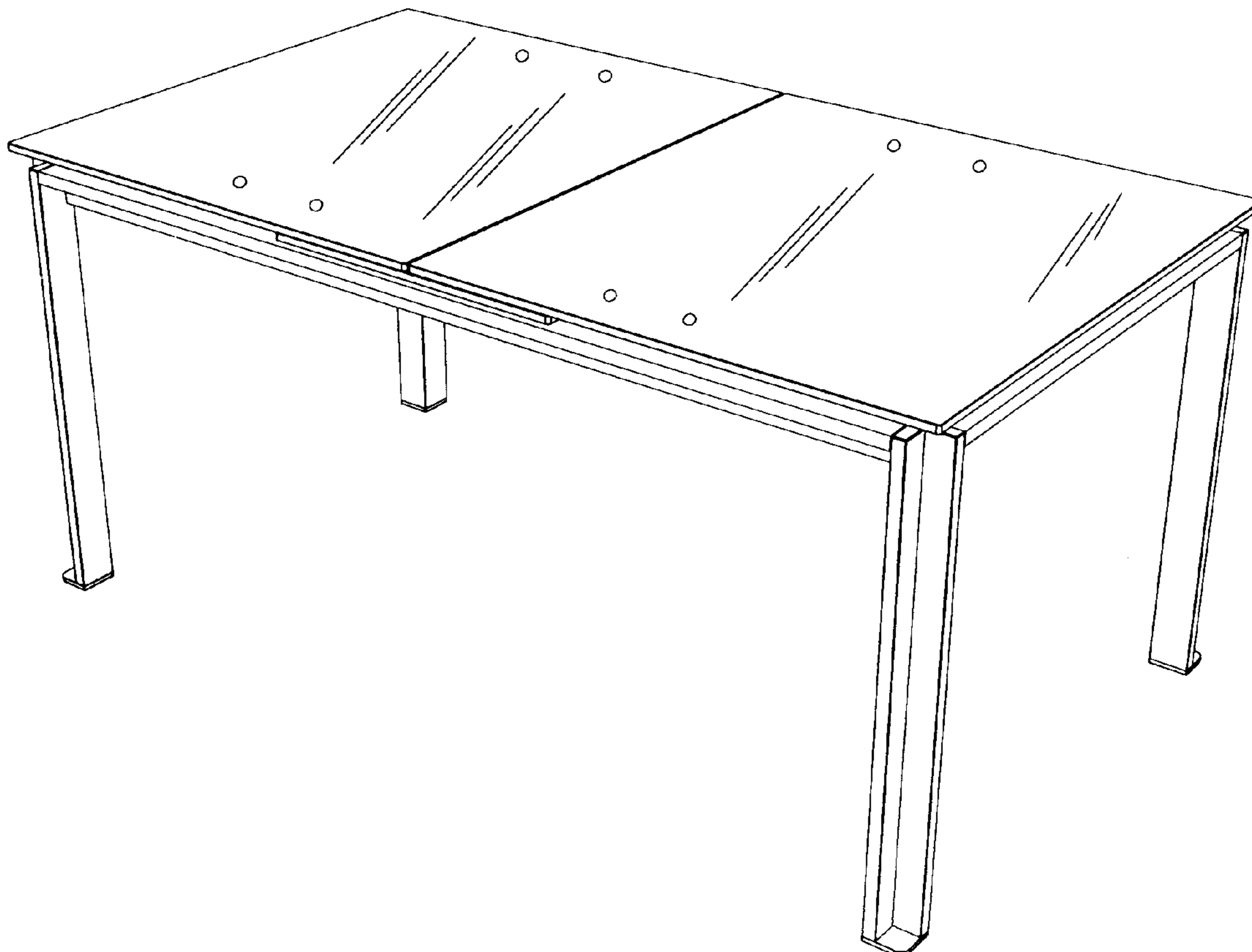
(57) **CLAIM**

The ornamental design for an extensible table, as shown and described.

**DESCRIPTION**

FIG. 1 is a left perspective view of an extensible table, showing my new design.  
FIG. 2 is a right perspective view thereof.  
FIG. 3 is a front elevational view thereof.  
FIG. 4 is a rear elevational view thereof.  
FIG. 5 is a right side elevational view thereof.  
FIG. 6 is a left side elevational view thereof.  
FIG. 7 is a top plan elevational view thereof; and,  
FIG. 8 is a bottom plan elevational view thereof.

**1 Claim, 5 Drawing Sheets**



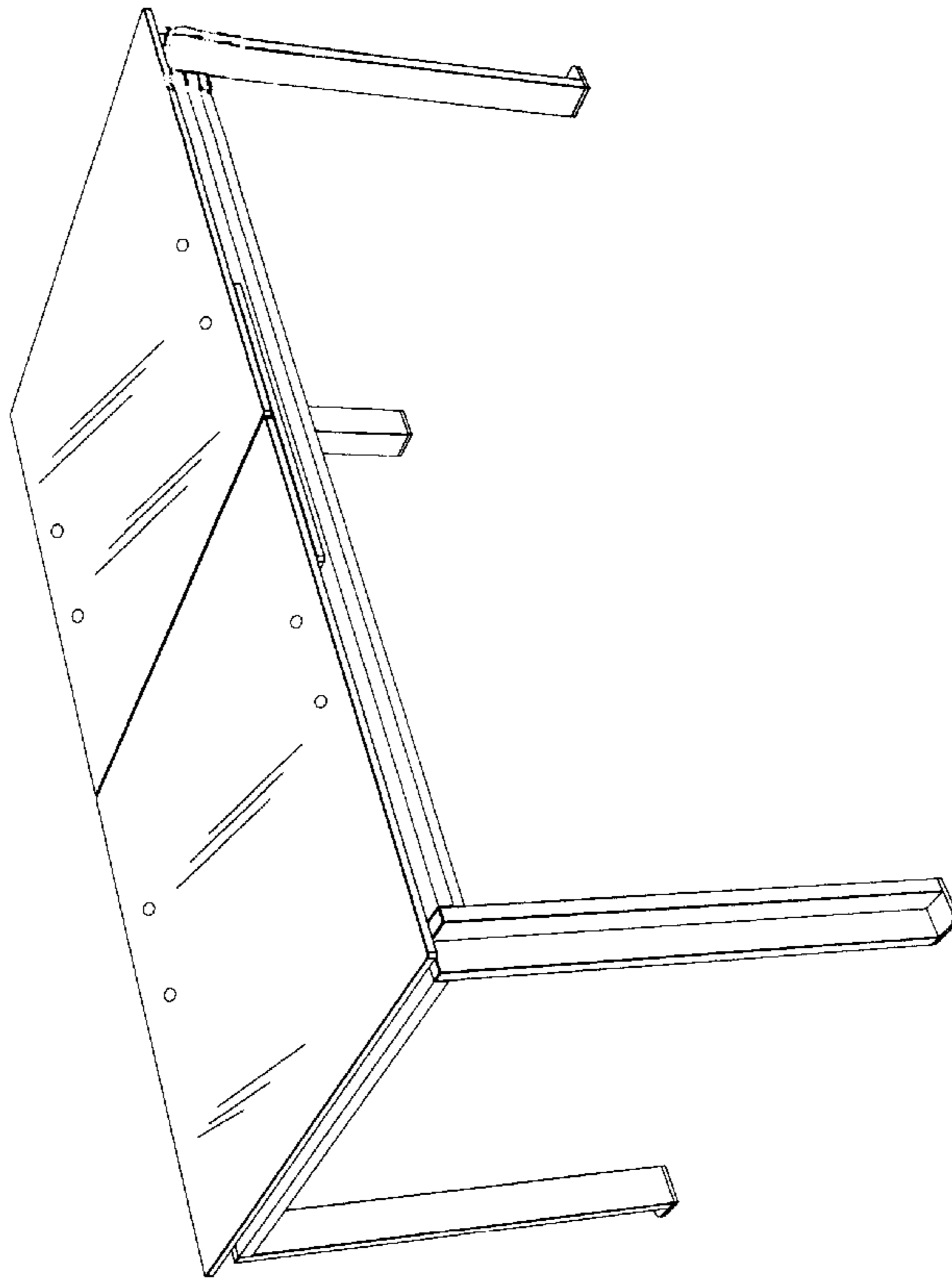


Fig. 2

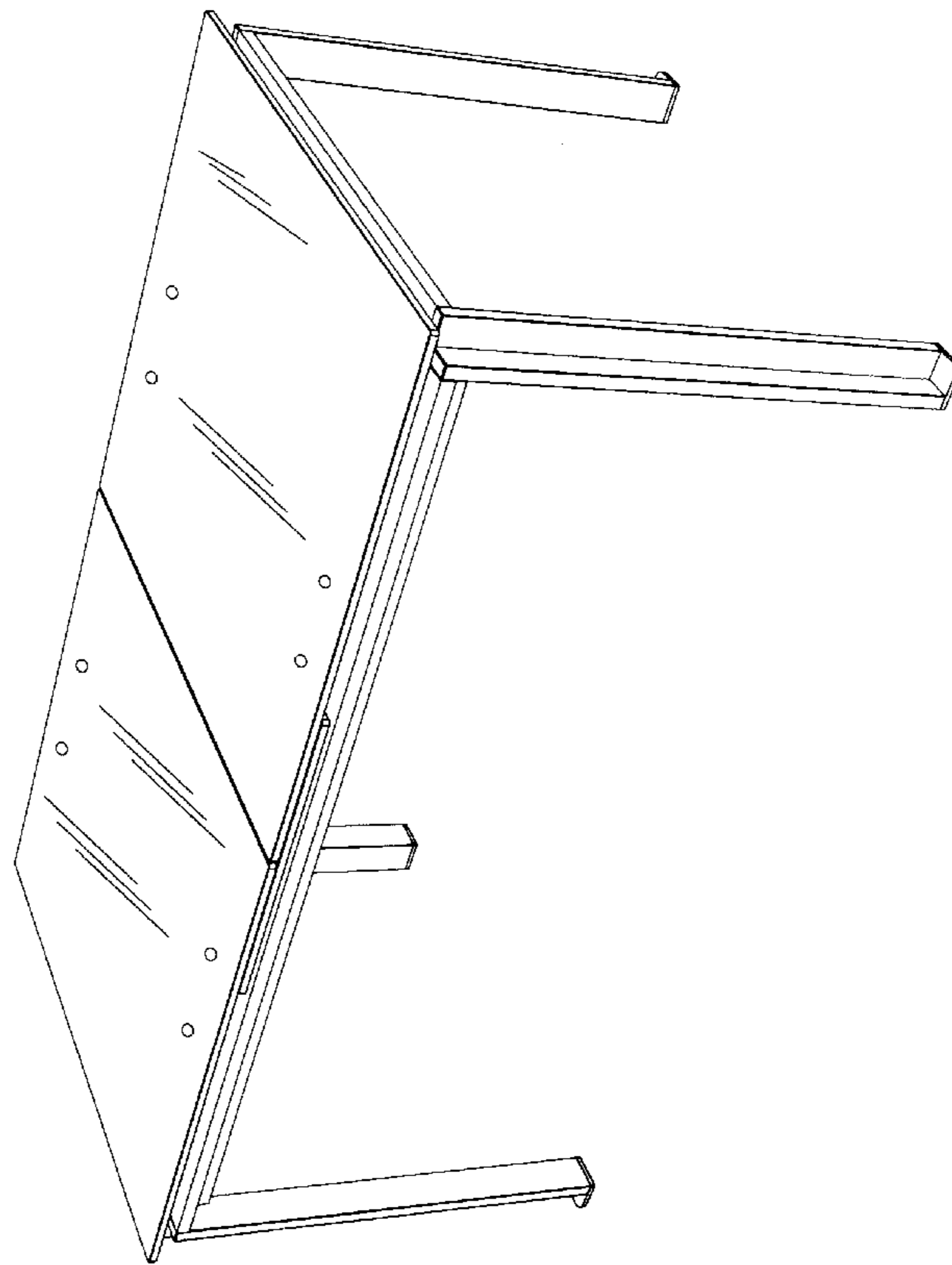


Fig. 1

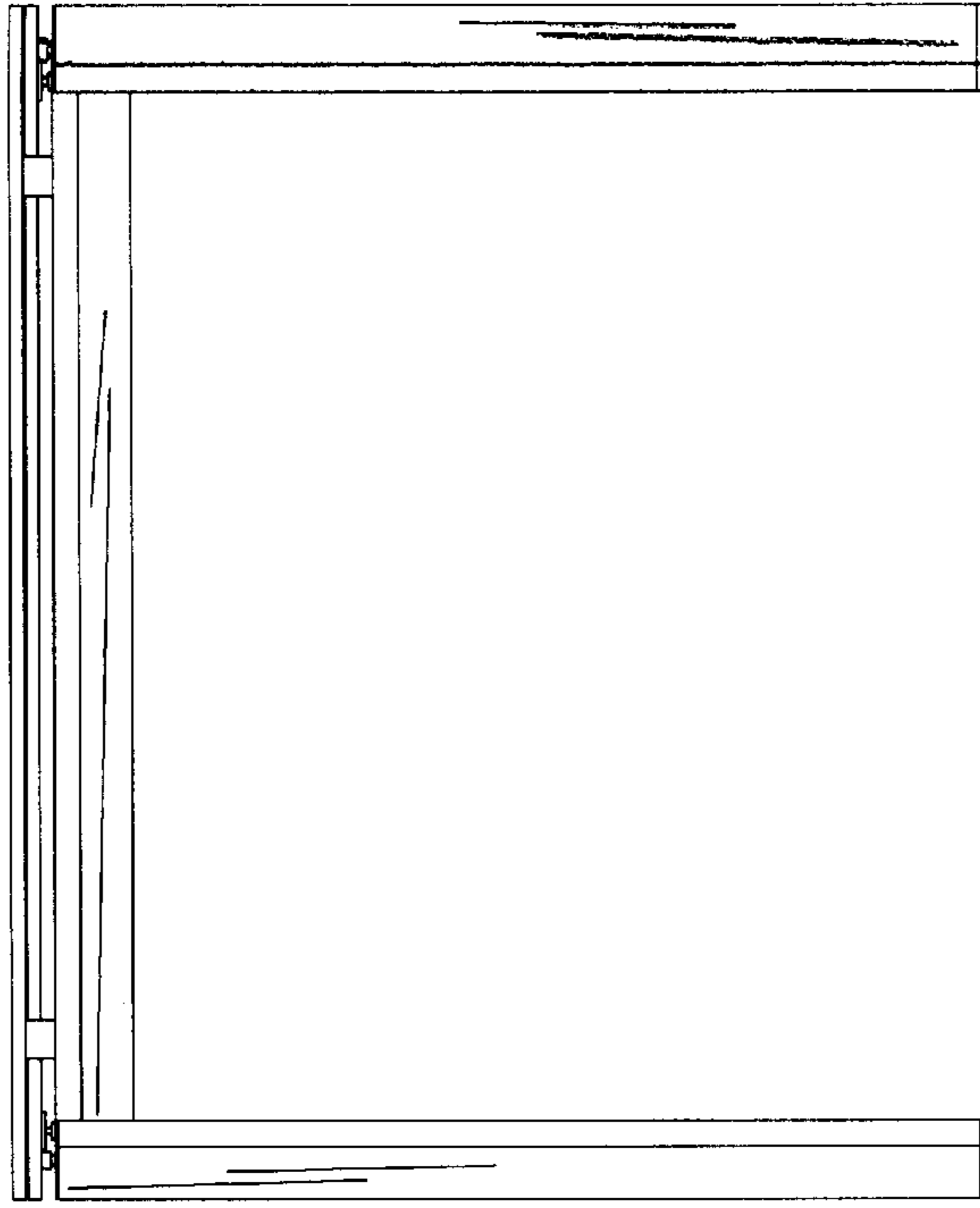


Fig. 4

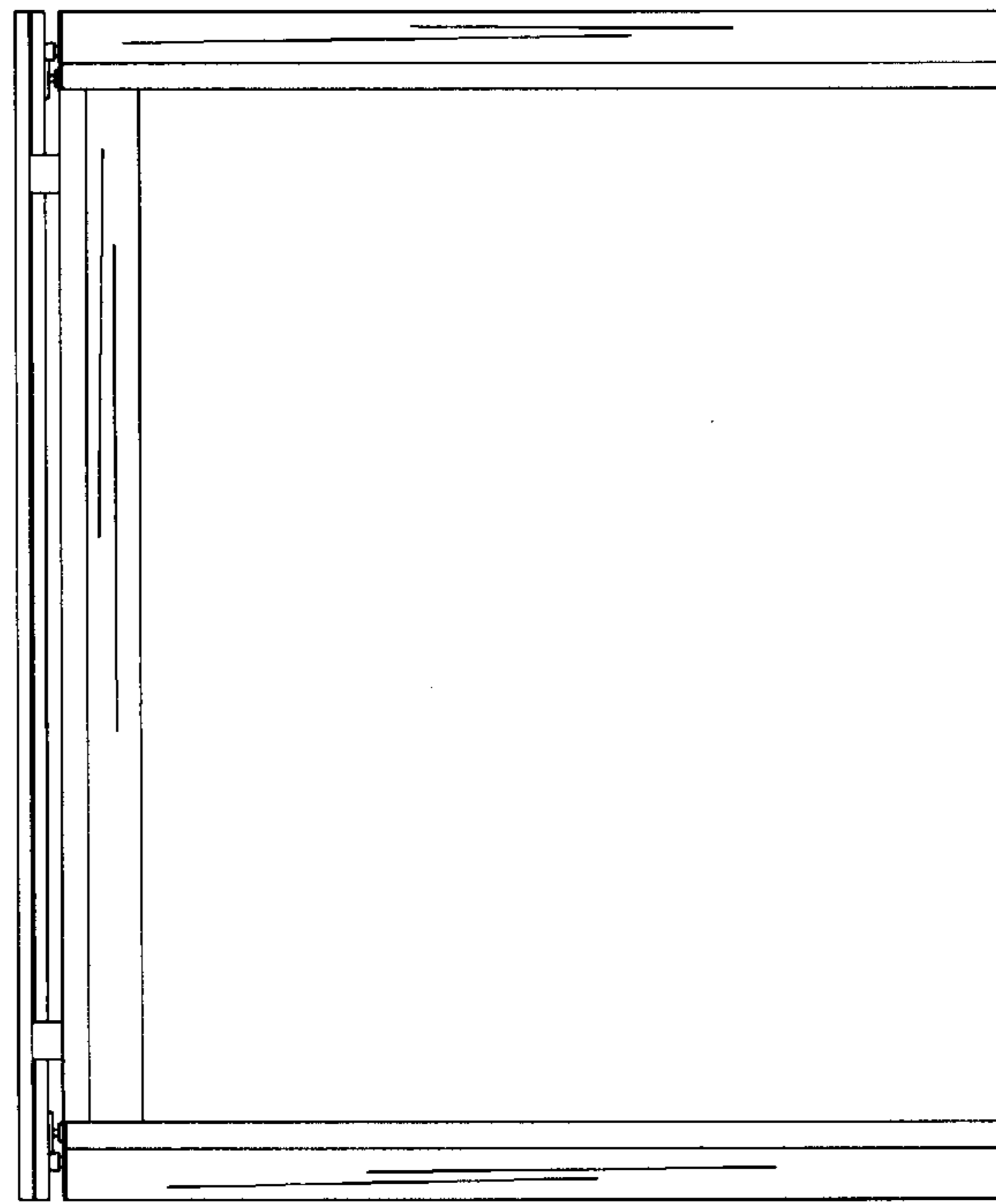


Fig. 3

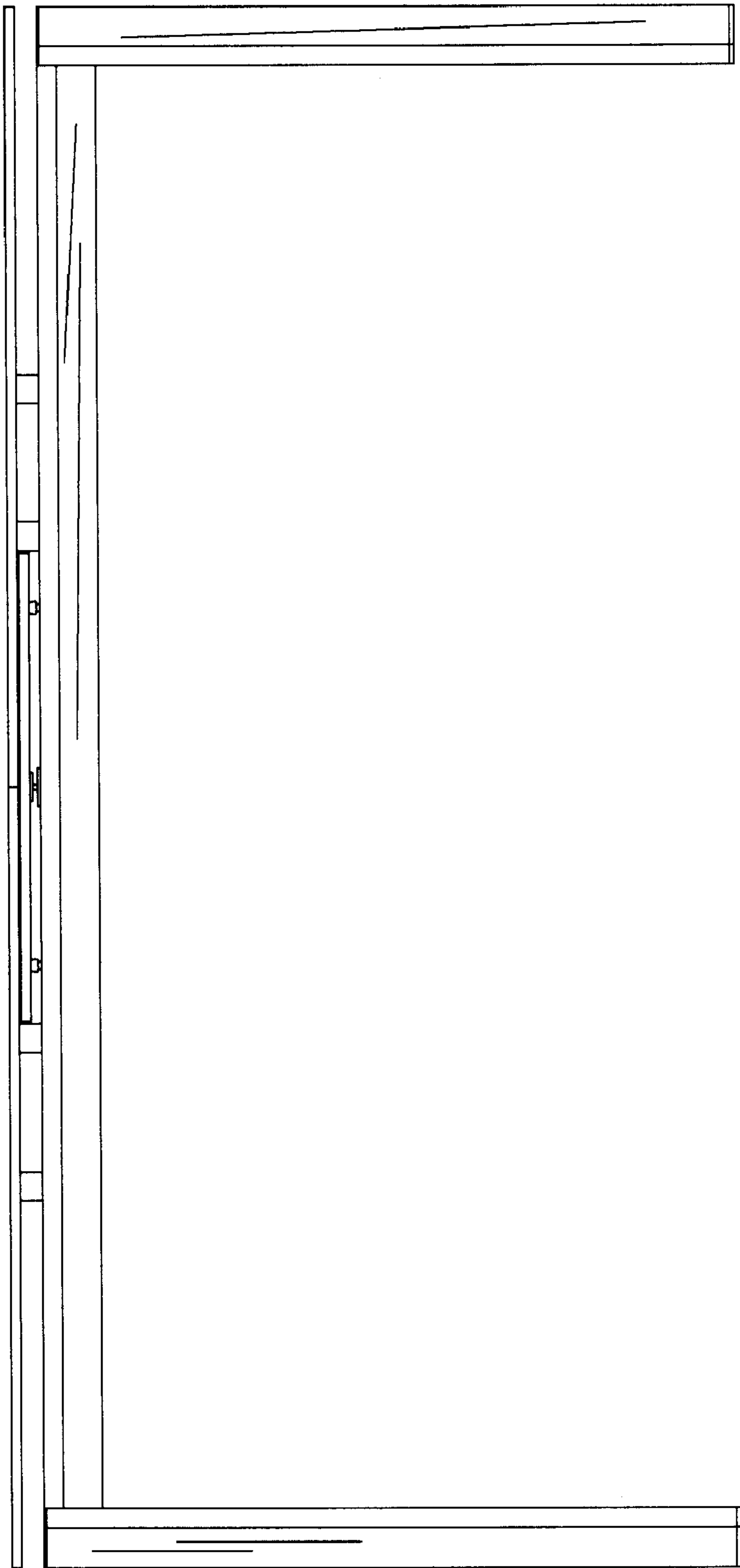


Fig. 5



Fig. 6

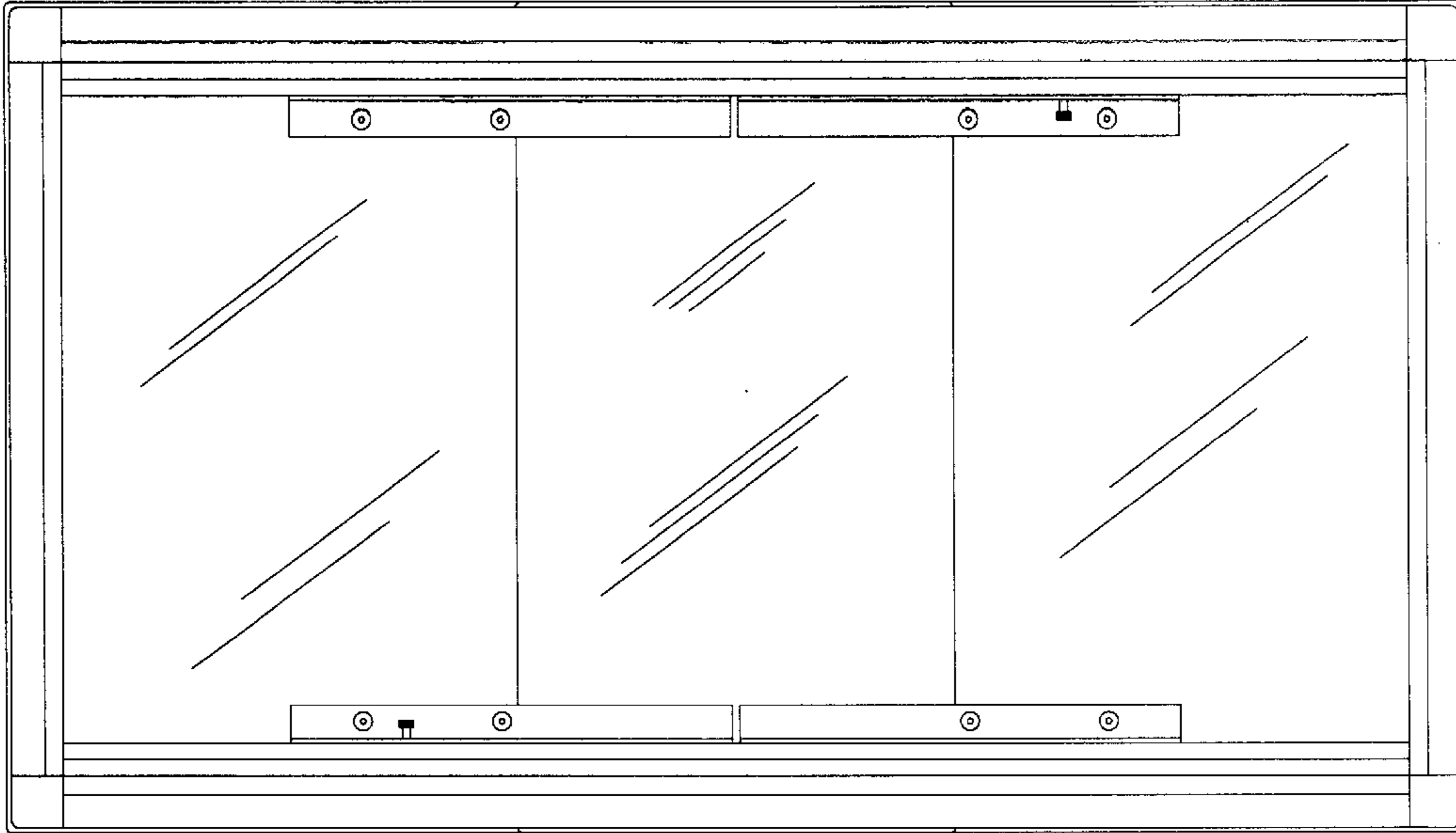


Fig. 8

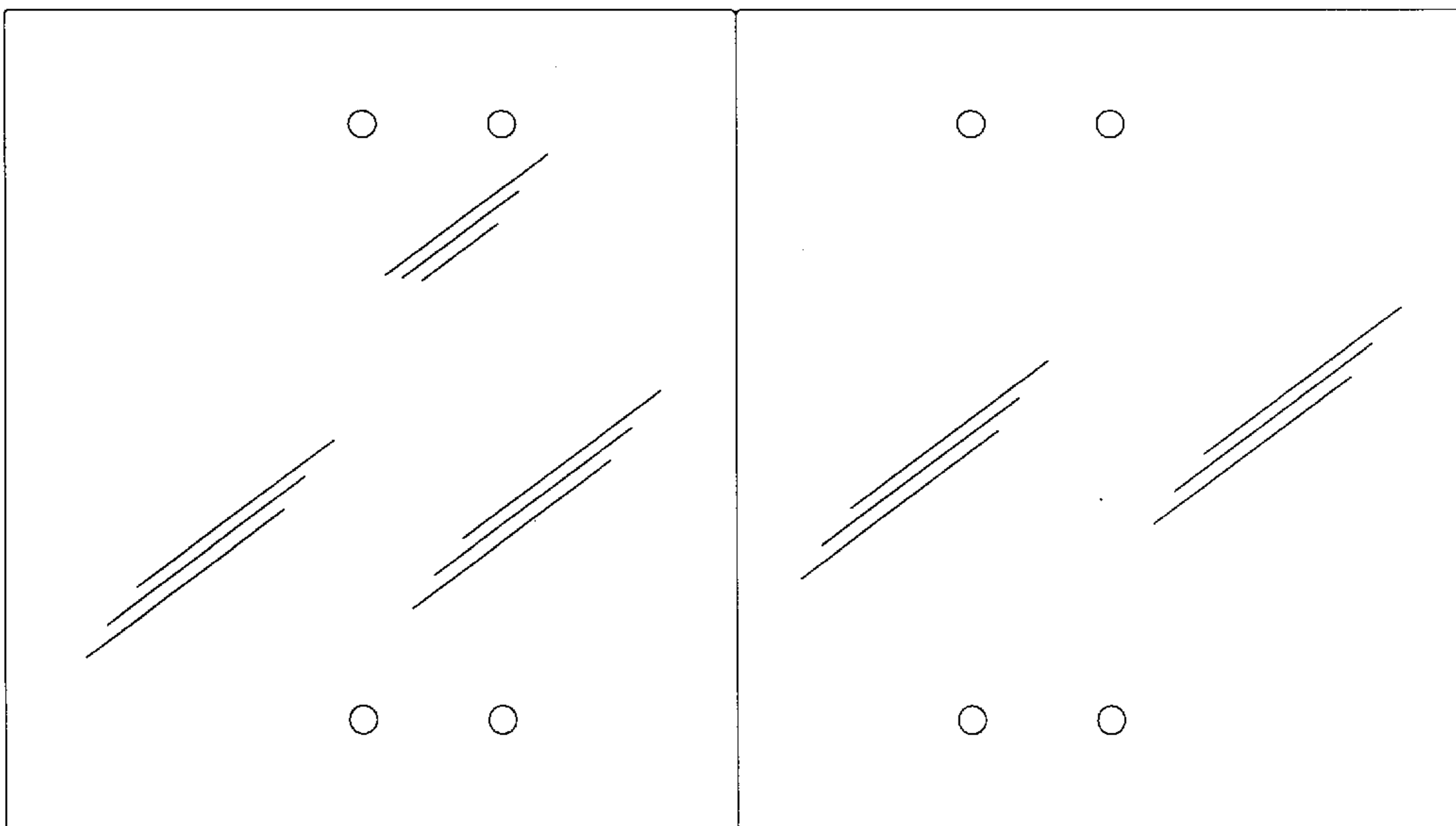


Fig. 7