



US00D487652S

(12) **United States Design Patent**  
**Reimonenq**

(10) **Patent No.:** **US D487,652 S**  
(45) **Date of Patent:** **\*\* Mar. 23, 2004**

(54) **CAKE STAND**

(76) Inventor: **Michael Reimonenq**, 28364 S. Western Ave., Unit 331, Palos Verdes Peninsula, CA (US) 90275-1434

(\*\*) Term: **14 Years**

(21) Appl. No.: **29/180,727**

(22) Filed: **Apr. 30, 2003**

(51) **LOC (7) Cl.** ..... **06-04**

(52) **U.S. Cl.** ..... **D6/474**

(58) **Field of Search** ..... D6/397, 405, 630, D6/455, 457-462, 465, 467-469, 473, 474, 479; 108/59, 91-93, 106, 147.12, 147.13; 211/13.1, 85.1, 85.21, 49.1, 50, 70, 74, 78, 60.1, 134, 189, 195; 248/102, 105, 346.03, 349.1

(56) **References Cited**

**U.S. PATENT DOCUMENTS**

D238,319 S \* 1/1976 Stephenson ..... D6/460  
D239,905 S \* 5/1976 Grimaldo ..... D6/474

D372,810 S \* 8/1996 Hardy ..... D6/396  
D377,874 S \* 2/1997 Wright ..... D6/461  
D403,533 S \* 1/1999 Paul ..... D6/458  
D420,534 S \* 2/2000 Ruiz ..... D6/474

\* cited by examiner

*Primary Examiner*—Cathron C. Brooks  
(74) *Attorney, Agent, or Firm*—Richard D. Slehofer

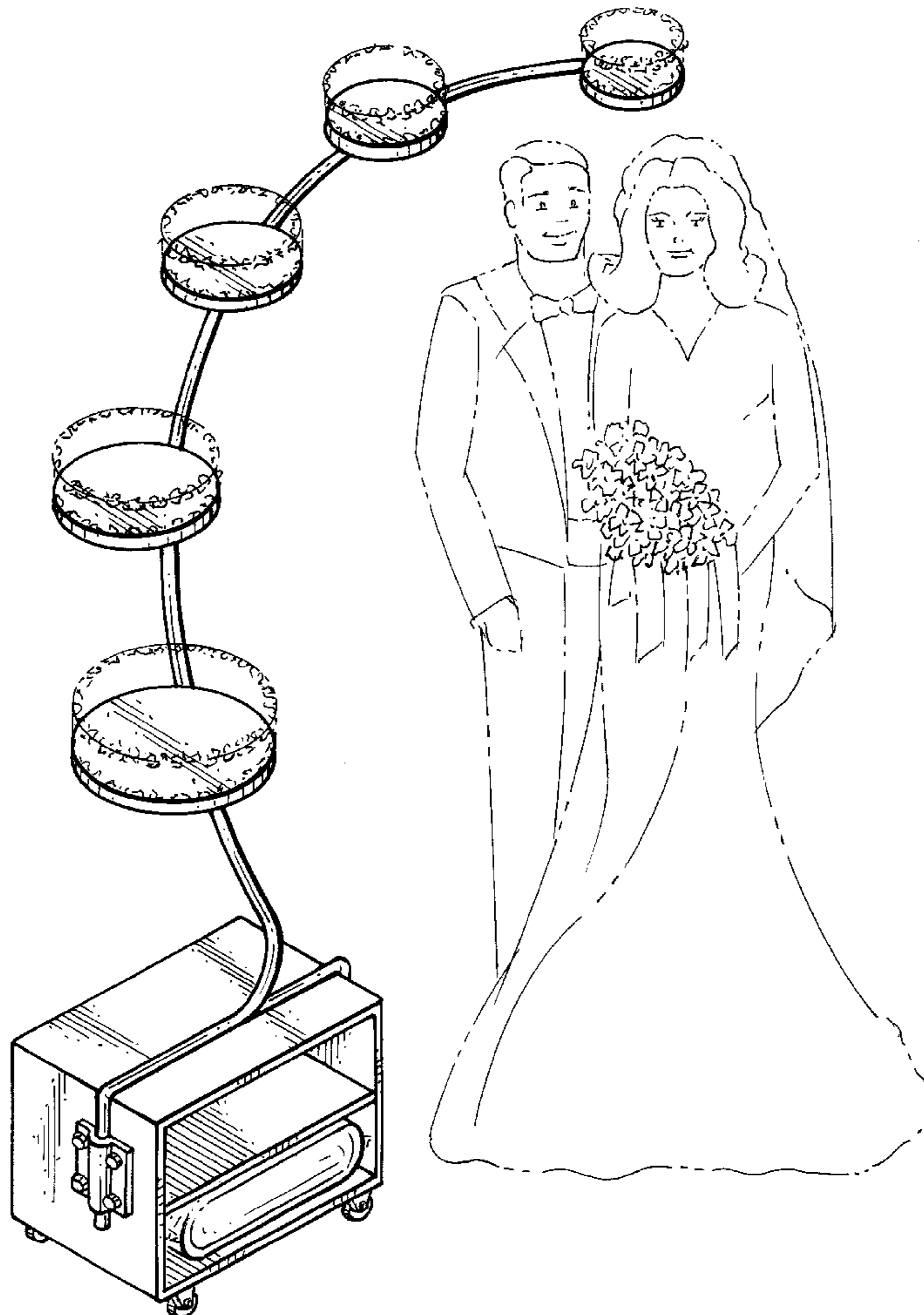
(57) **CLAIM**

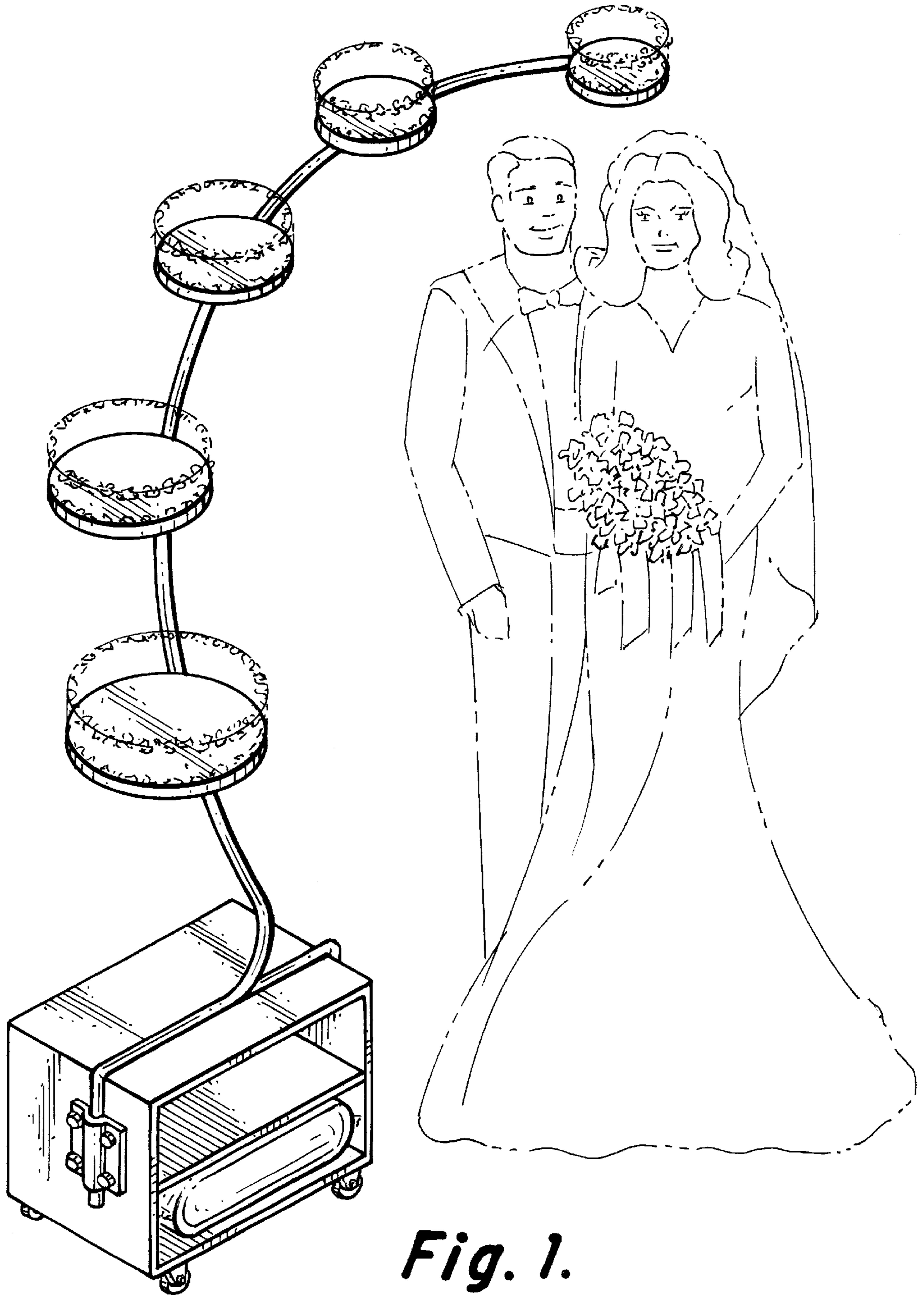
The ornamental design for a cake stand, as shown and described.

**DESCRIPTION**

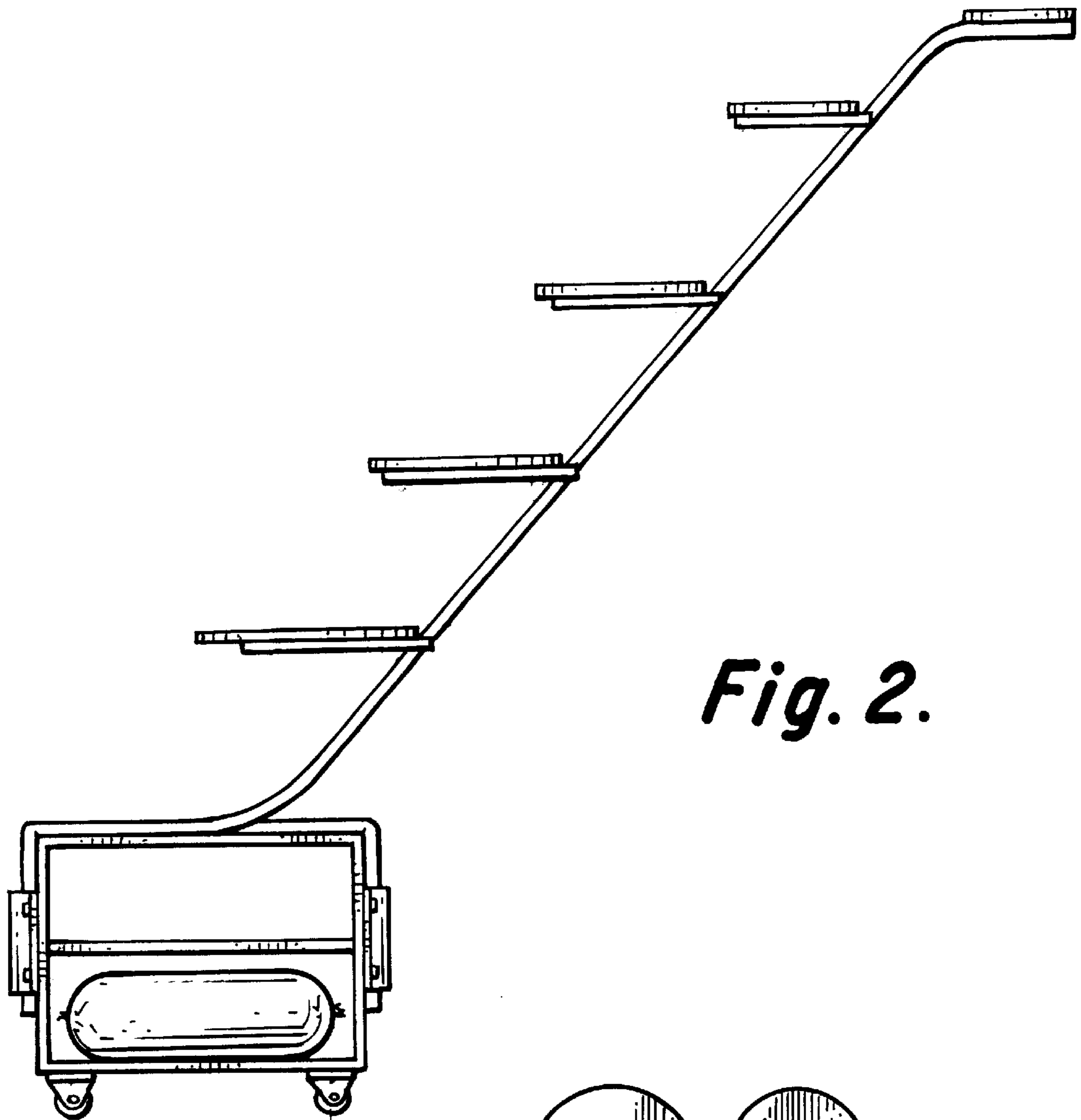
FIG. 1 is an isometric view of a cake stand showing my new design; it being understood that the broken lines showing a bride and groom and cakes are for illustrative purposes only and form no part of my claimed design.  
FIG. 2 is a front elevational view thereof;  
FIG. 3 is a left side elevational view thereof;  
FIG. 4 is a right side elevational view thereof;  
FIG. 5 is a top plan view thereof; and,  
FIG. 6 is a bottom plan view thereof.

**1 Claim, 3 Drawing Sheets**

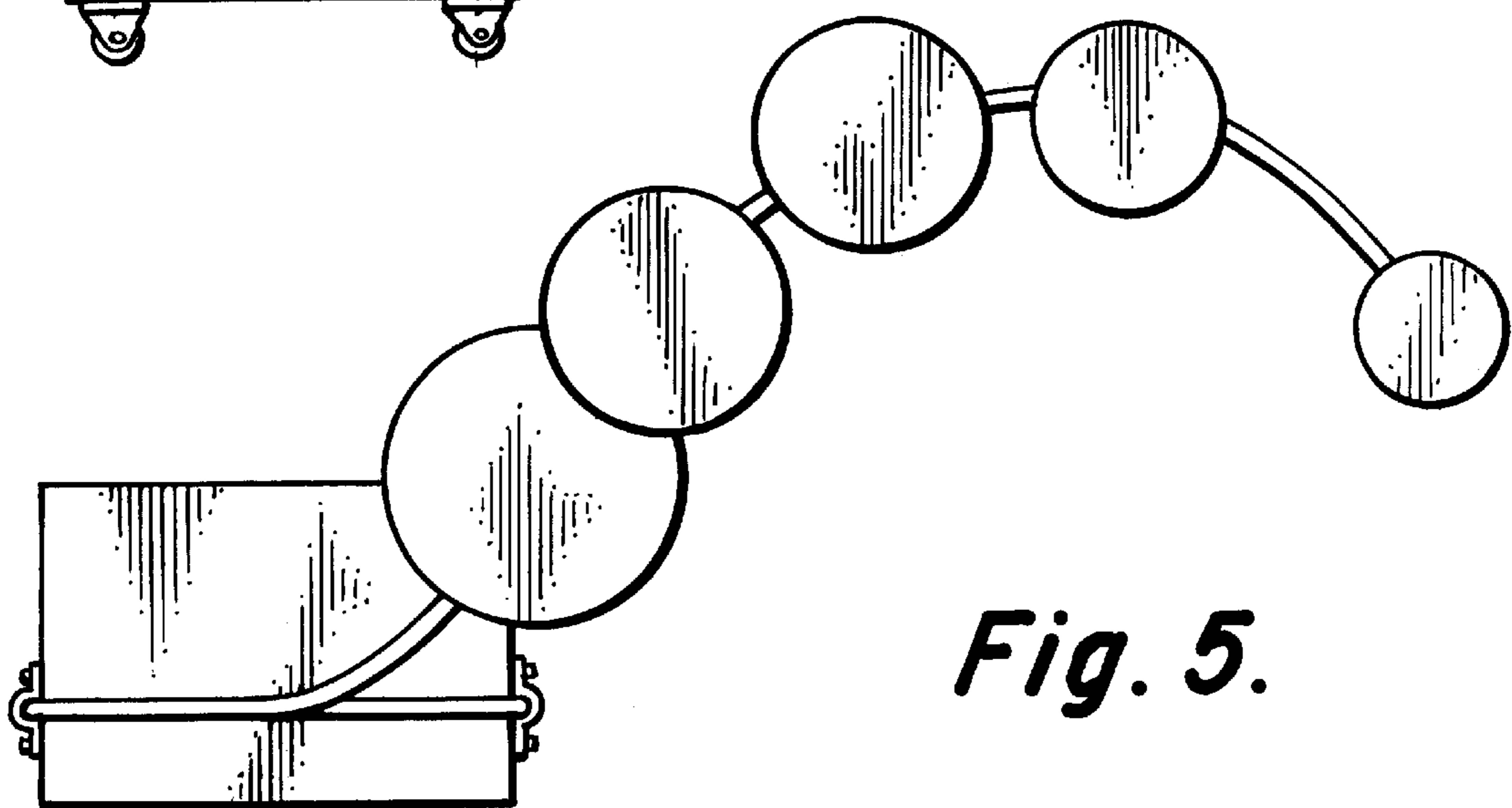




**Fig. 1.**



*Fig. 2.*



*Fig. 5.*

