



US00D487651S

(12) **United States Design Patent**
Bloch et al.

(10) **Patent No.:** **US D487,651 S**

(45) **Date of Patent:** **** Mar. 23, 2004**

(54) **JEWELRY DISPLAY TRAY**

(75) Inventors: **Ilene Bloch**, Akron, OH (US); **Tamara Zemplansky**, Cuyahoga Falls, OH (US)

(73) Assignee: **Sterling Jewelers Inc.**, Akron, OH (US)

(**) Term: **14 Years**

(21) Appl. No.: **29/179,328**

(22) Filed: **Apr. 9, 2003**

(51) **LOC (7) Cl.** **06-04**

(52) **U.S. Cl.** **D6/474; D6/468**

(58) **Field of Search** D6/397, 405, 630, D6/455, 457-462, 465, 467-469, 473, 474, 479; 108/59, 91-93, 106, 147.12, 147.13; 211/13.1, 85.1, 85.21, 49.1, 50, 70, 74, 78, 60.1, 134, 189, 195; 248/102, 105, 346.03, 349.1

(56) **References Cited**

U.S. PATENT DOCUMENTS

D260,455 S * 9/1981 Haswell D6/630
D288,039 S * 2/1987 LeBlanc D6/468

D316,347 S * 4/1991 Getto D6/467
D388,266 S * 12/1997 Axelrod D6/468
D394,173 S * 5/1998 Habib D6/474

* cited by examiner

Primary Examiner—Cathron C. Brooks

(74) *Attorney, Agent, or Firm*—Renner, Kenner, Greive, Bobak, Taylor & Weber

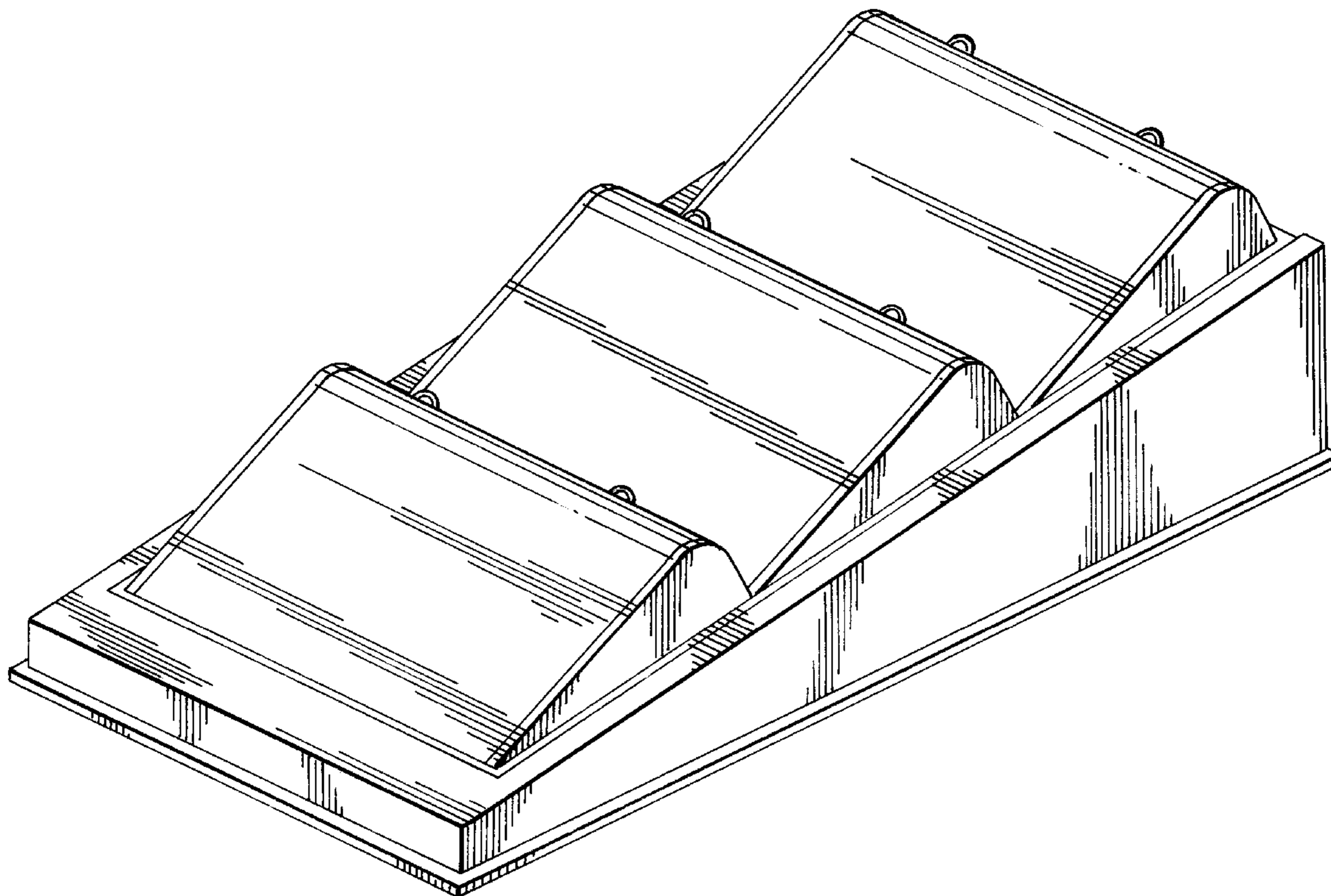
(57) **CLAIM**

We claim the ornamental design for a jewelry display tray, as shown and described.

DESCRIPTION

FIG. 1 a perspective view showing our new jewelry display tray;
FIG. 2 is a top plan view thereof;
FIG. 3 is a side elevational view thereof taken from the right of FIG. 1, the opposed side being a mirror image thereof;
FIG. 4 is an end elevational view thereof taken from the left of FIG. 3; and,
FIG. 5 is an end elevational view thereof taken from the right of FIG. 3.
The bottom is plain and unornamented.

1 Claim, 4 Drawing Sheets



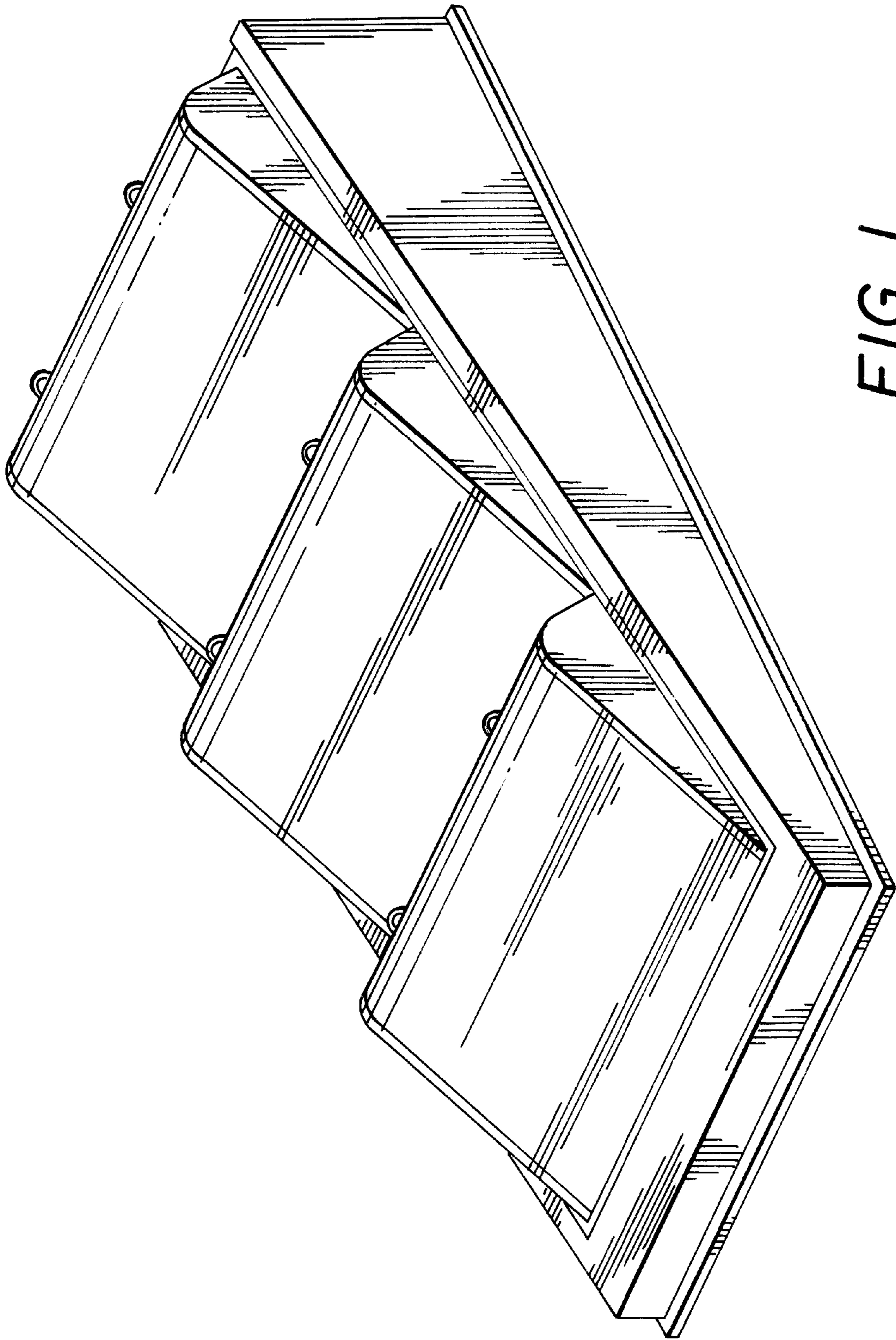


FIG. 1

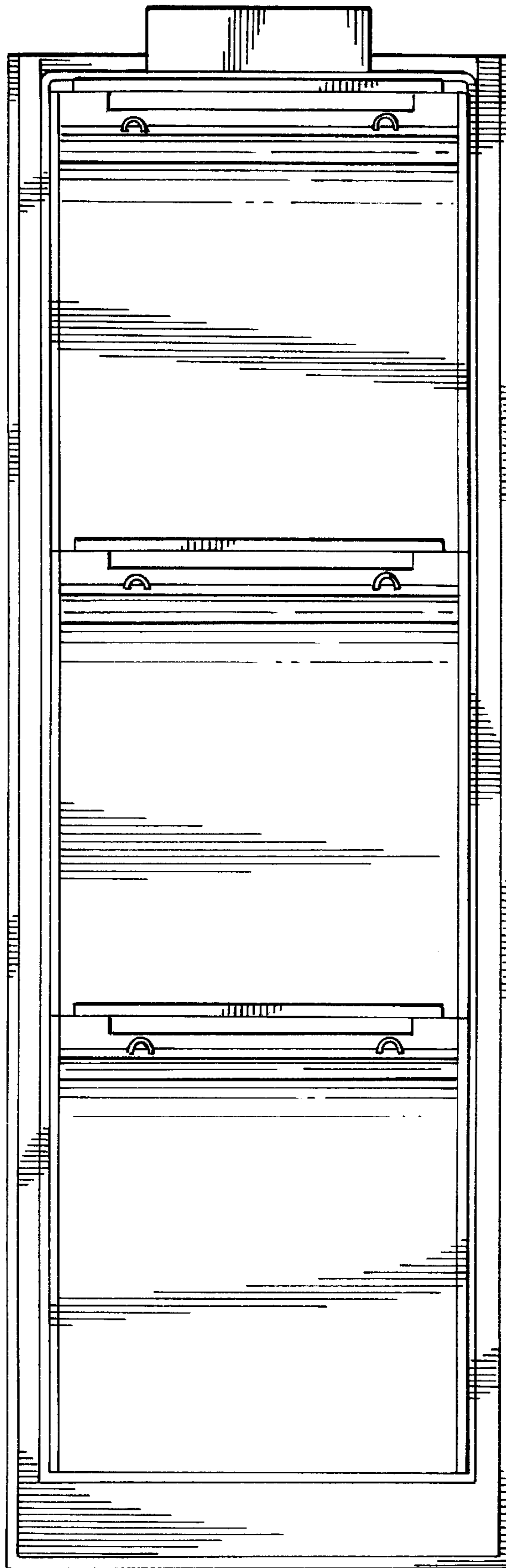


FIG. 2

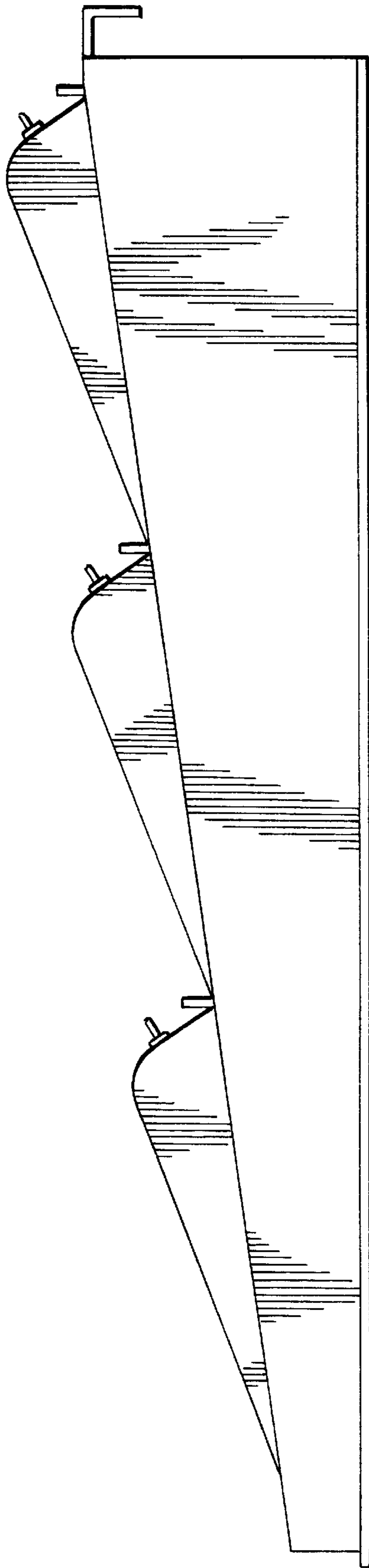


FIG. 3

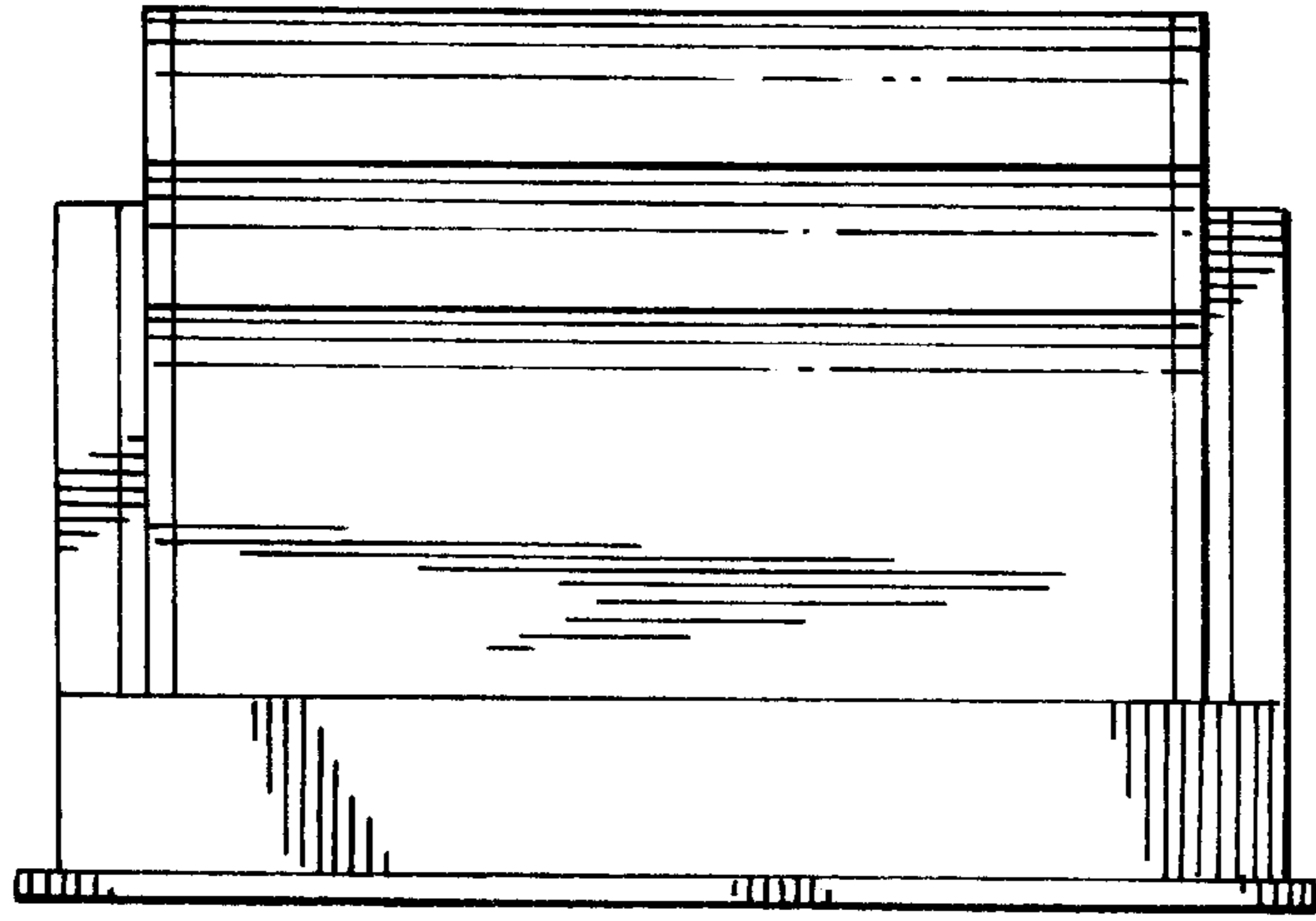


FIG. 4

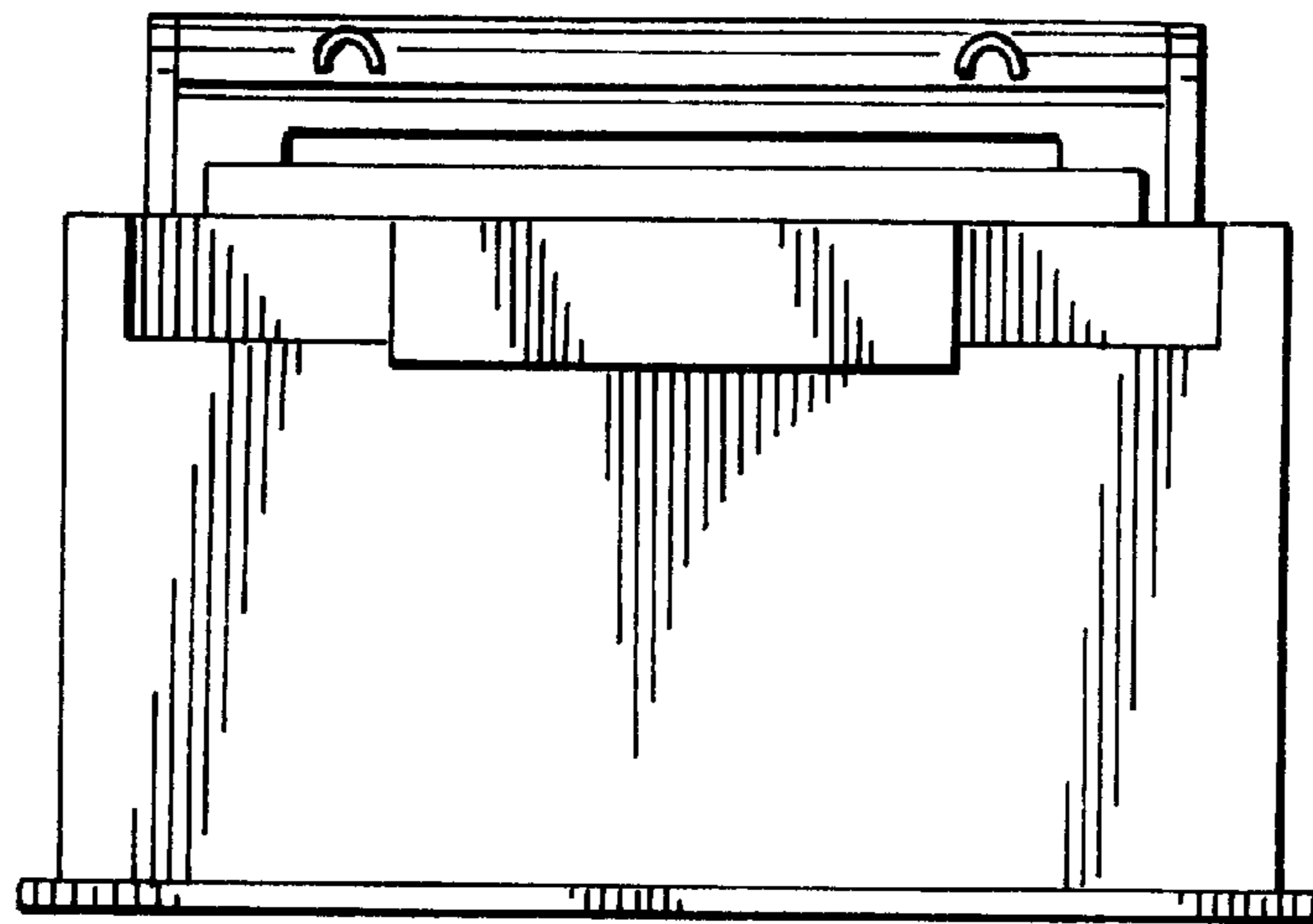


FIG. 5