



US00D487649S

(12) **United States Design Patent**
Stanton

(10) **Patent No.:** **US D487,649 S**

(45) **Date of Patent:** **** Mar. 23, 2004**

(54) **TABLE**

(75) **Inventor:** **Shawn Christopher Stanton**, High Point, NC (US)

(73) **Assignee:** **Thomasville Furniture Industries, Inc.**, Thomasville, NC (US)

(**) **Term:** **14 Years**

(21) **Appl. No.:** **29/181,328**

(22) **Filed:** **May 8, 2003**

(51) **LOC (7) Cl.** **06-04**

(52) **U.S. Cl.** **D6/441**

(58) **Field of Search** D6/436-439, 441, D6/444-447, 470, 432, 448; 312/204

(56) **References Cited**

U.S. PATENT DOCUMENTS

| | | | | | |
|------------|---|---------|---------------|-------|--------|
| D331,673 S | * | 12/1992 | Faber | | D6/441 |
| D383,329 S | * | 9/1997 | Wang | | D6/441 |
| D449,942 S | * | 11/2001 | OaHare et al. | | D6/441 |
| D469,276 S | * | 1/2003 | Stanton | | D6/441 |
| D469,639 S | | 2/2003 | Cain | | D6/489 |
| D469,987 S | | 2/2003 | Stanton | | D6/480 |
| D476,174 S | * | 6/2003 | Lenger | | D6/484 |
| D479,412 S | * | 9/2003 | Berry et al. | | D6/441 |

OTHER PUBLICATIONS

Furniture Today, Butler Specialty Co. nightstand, p. 180 Apr. 15, 2002.*

Dorabella Night Stand/Chest, Bellasera Collection brochure, Thomasville Furniture Industries, Inc., p. 8, 2001.

Round Commode, Elysee Collection brochure, Thomasville Furniture Industries, Inc., p. 20, 2002.

* cited by examiner

Primary Examiner—Cathron C. Brooks

(74) *Attorney, Agent, or Firm*—Womble Carlyle Sandridge & Rice, PLLC

(57) **CLAIM**

The ornamental design for a table, as shown and described.

DESCRIPTION

FIG. 1 is a left front perspective view of a table showing my new design;

FIG. 2 is a front elevational view thereof;

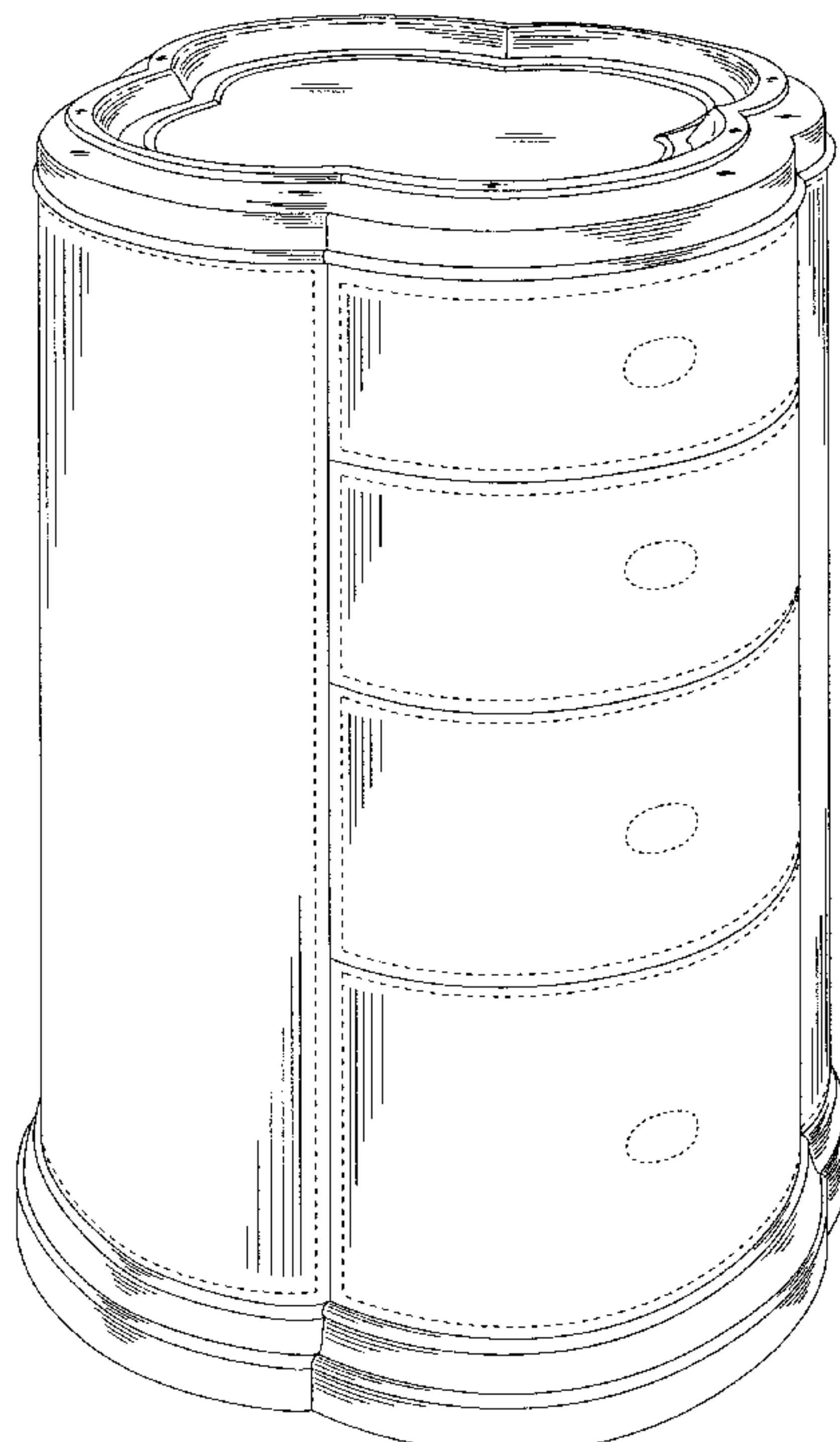
FIG. 3 is a side elevational view, the opposite side being a mirror image thereof;

FIG. 4 is a rear elevational view thereof; and,

FIG. 5 is a top view thereof.

The views of the table not shown form no part of the claimed design. The dashed lines in FIGS. 1-4 depicting stitching represent environmental elements only and form no part of the claimed design. The broken lines in FIGS. 1, 2, 3, and 5 depicting hardware represent environmental elements only and form no part of the claimed design. The broken lines in FIG. 5 depicting the center design represent environmental elements only and form no part of the claimed design.

1 Claim, 5 Drawing Sheets



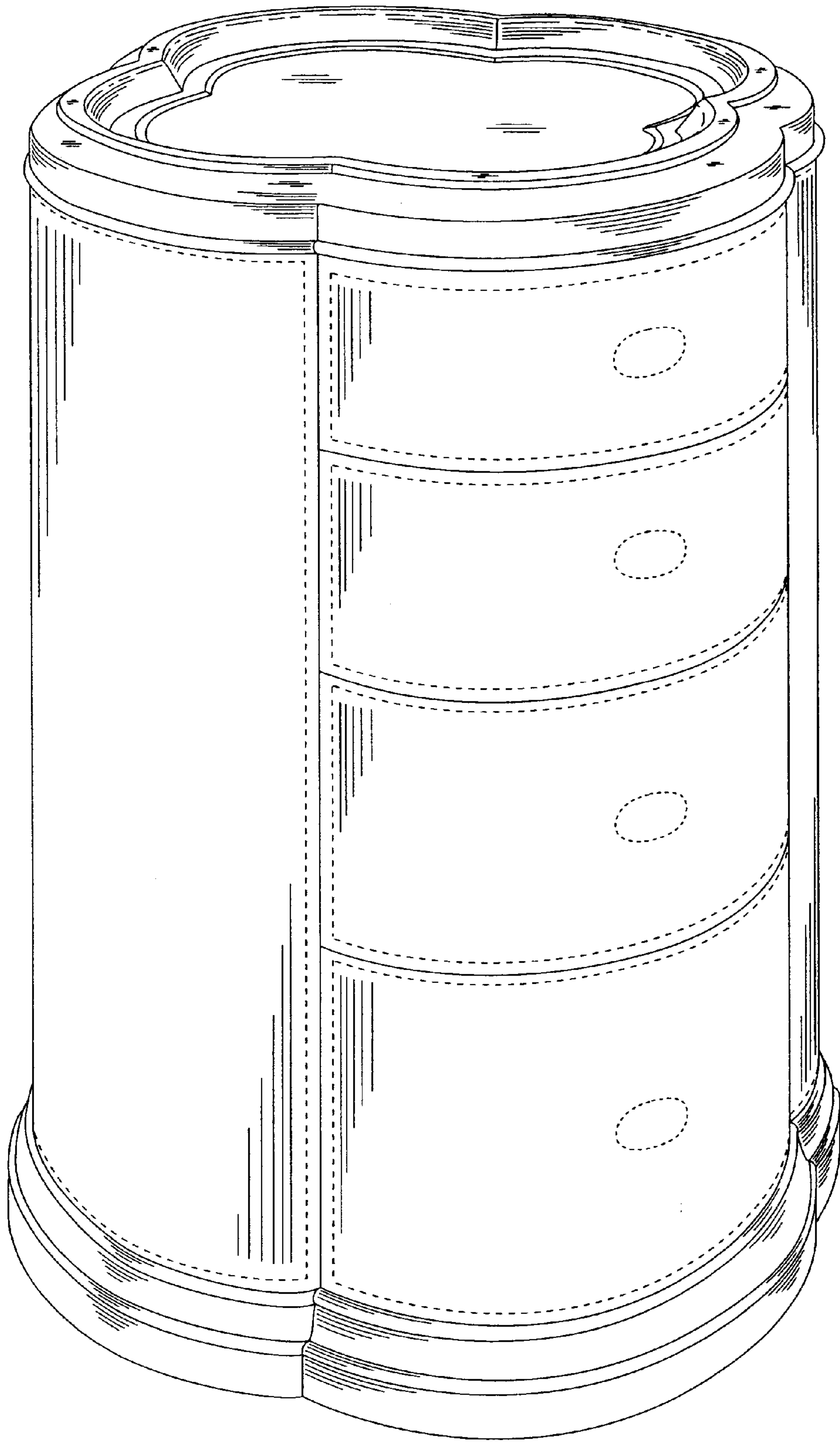


FIG. 1

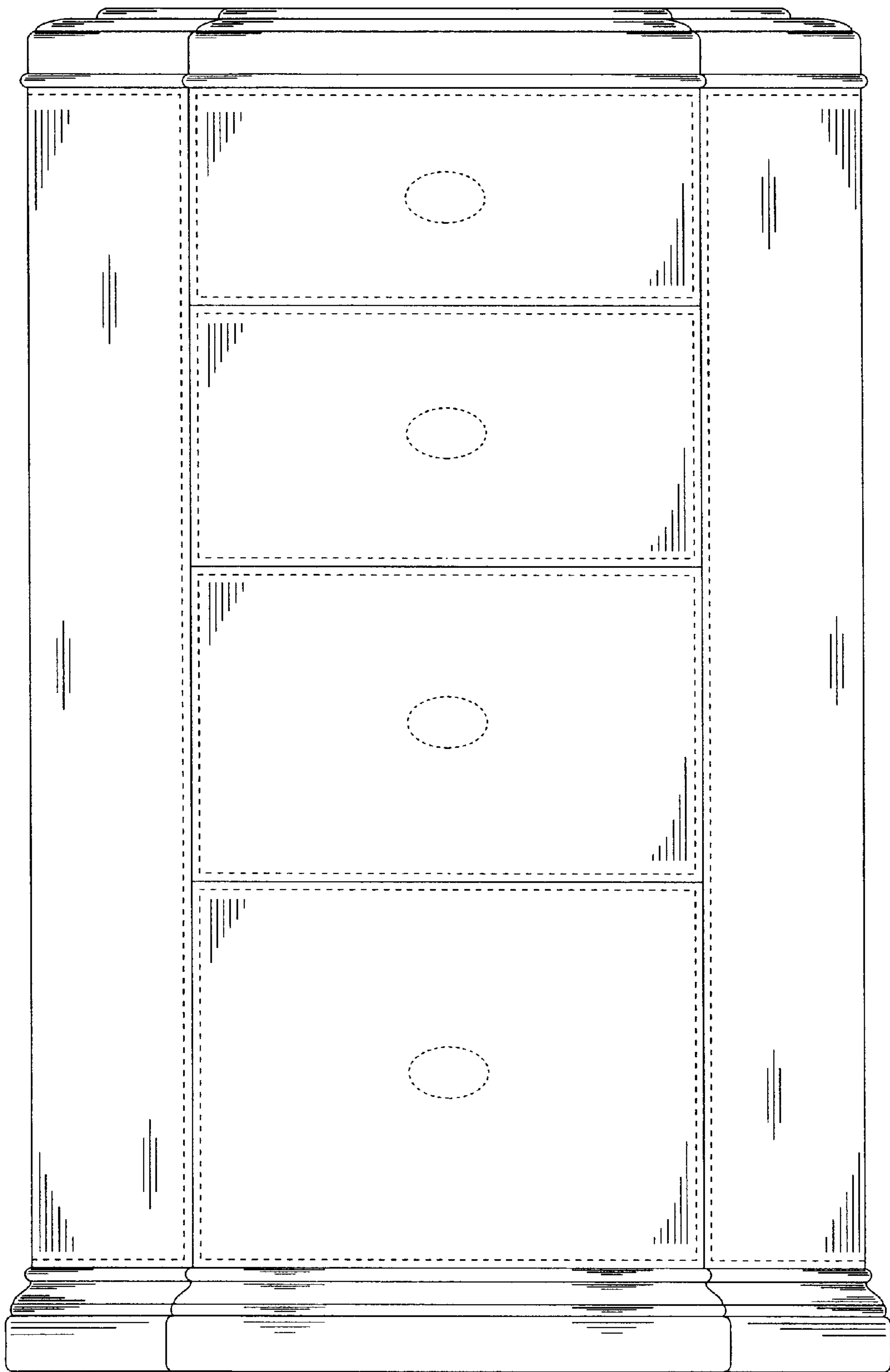


FIG. 2

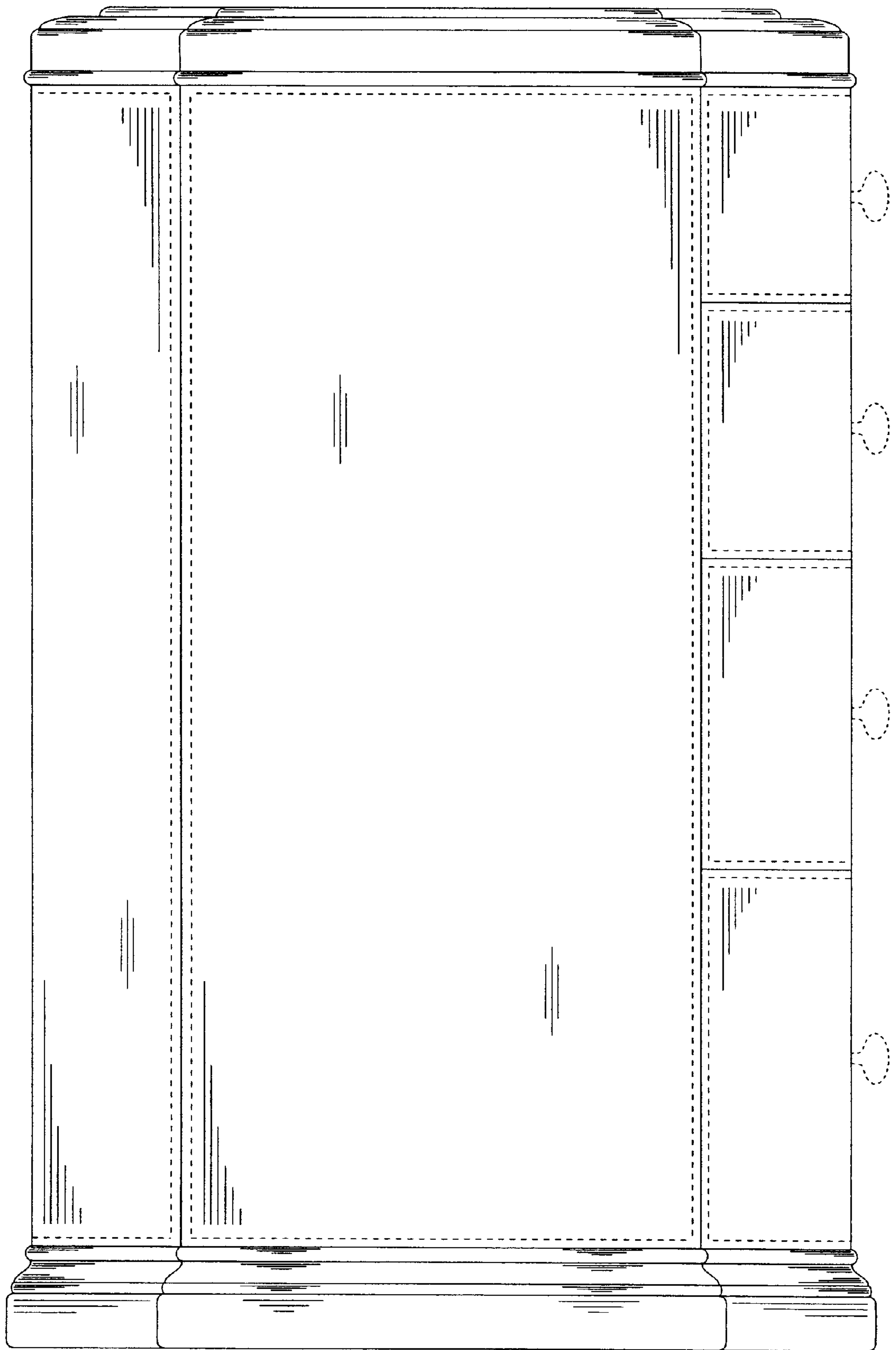


FIG. 3

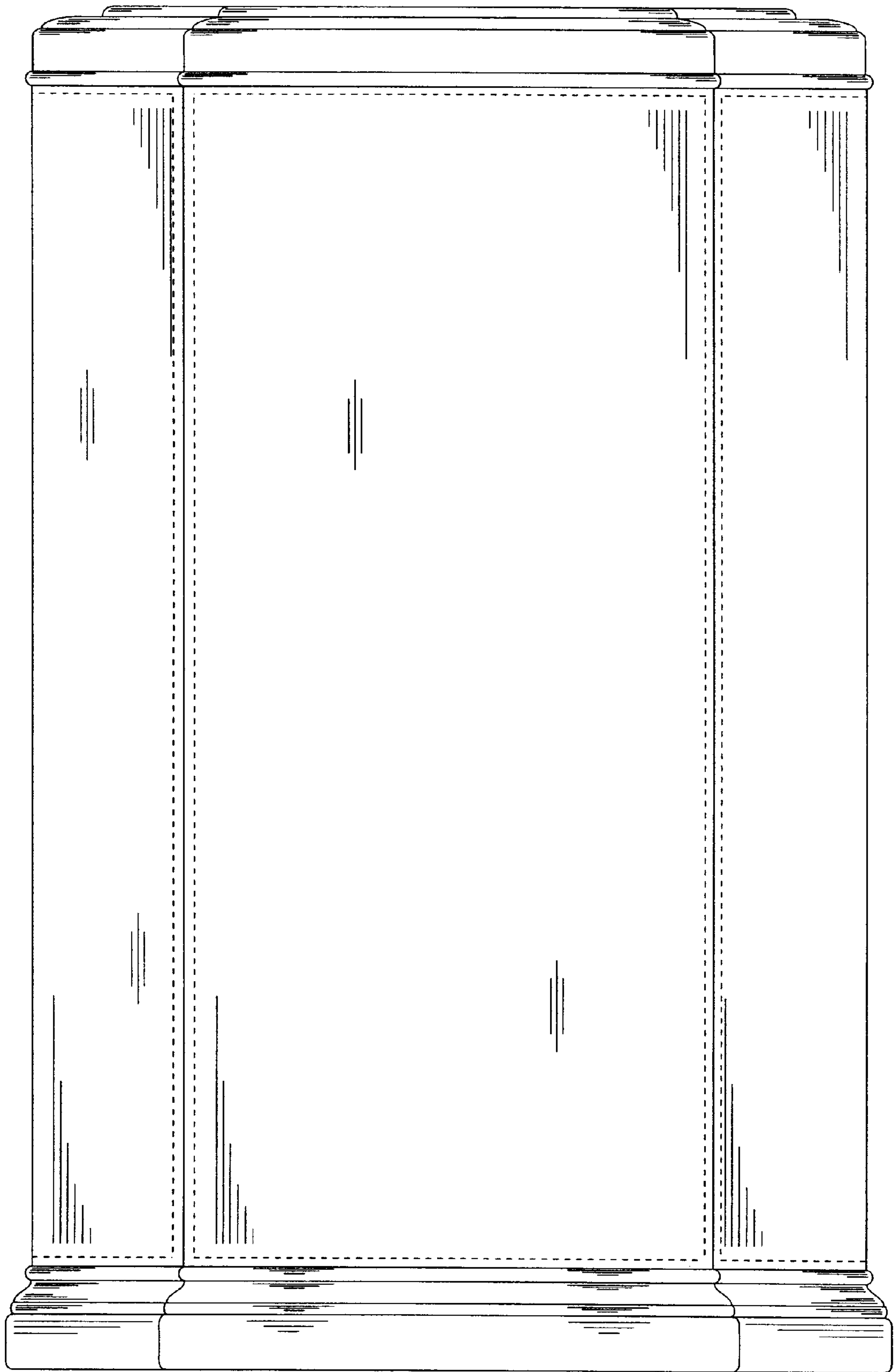


FIG. 4

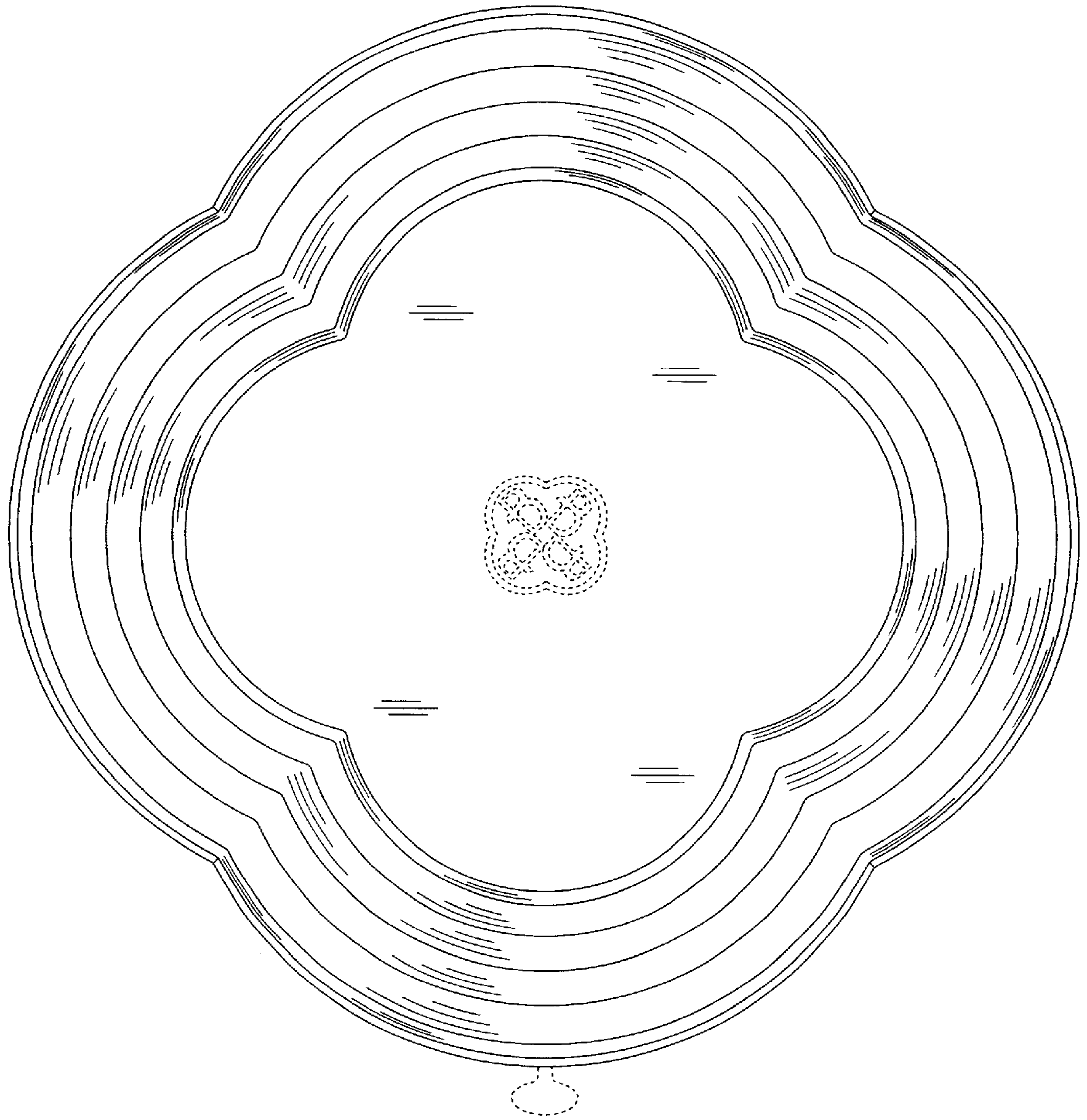


FIG. 5