



US00D487611S

(12) **United States Design Patent**  
**Weege et al.**

(10) **Patent No.: US D487,611 S**

(45) **Date of Patent: \*\* Mar. 23, 2004**

(54) **SHOE SOLE**

(76) Inventors: **Thomas Weege**, Blütenstrasse 41,  
Eckental (DE), 90542; **Klaus Peter  
Tomczak**, Stettiner Strasse 9,  
Uttenreuth (DE), 91080; **Gabriel Pablo  
Prats**, 21095 Ashley La., Lake Forest,  
CA (US) 92630

(\*\*) Term: **14 Years**

(21) Appl. No.: **29/150,869**

(22) Filed: **Nov. 30, 2001**

(30) **Foreign Application Priority Data**

Jun. 25, 2001 (DE) ..... 401 05 887

(51) **LOC (7) Cl. .... 02-04**

(52) **U.S. Cl. .... D2/947**

(58) **Field of Search** ..... D2/946-949, 951-962,  
D2/967, 977; 36/3 B, 22 R, 25 R, 30 R,  
32 A, 32 R, 59 R, 67 A, 67 B

(56) **References Cited**

**U.S. PATENT DOCUMENTS**

- 1,242,977 A \* 10/1917 Price
- 2,555,590 A \* 6/1951 Johnson ..... 36/149
- 3,933,413 A 1/1976 Sickles ..... D2/951
- D262,751 S 1/1982 Anderie ..... D2/310
- D270,680 S \* 9/1983 Jansson ..... D2/947
- D283,366 S 4/1986 Chassing ..... D2/310
- D283,463 S 4/1986 Chassing ..... D2/310
- 4,610,100 A \* 9/1986 Rhodes ..... 36/42
- D323,059 S \* 1/1992 Hatfield ..... D2/954
- D337,651 S \* 7/1993 Kilbey ..... D24/171
- D373,674 S \* 9/1996 Dolinsky ..... D2/956
- D374,117 S 10/1996 Fumy et al. .... D2/956
- D380,889 S 7/1997 Earle ..... D2/957
- D388,593 S \* 1/1998 Ferro ..... D2/947

- D389,993 S 2/1998 Ryan ..... D2/953
- D390,345 S \* 2/1998 Aird et al. .... D2/947
- D393,341 S 4/1998 Marshall et al. .... D2/951
- D394,343 S 5/1998 Marshall et al. .... D2/960
- D394,742 S 6/1998 Gaudio ..... D2/969
- D394,946 S 6/1998 Gaudio ..... D2/960
- D397,841 S 9/1998 Munns ..... D2/902
- D398,439 S \* 9/1998 McDonald ..... D2/947
- D401,747 S 12/1998 Cessor ..... D2/960
- D405,596 S \* 2/1999 Aird et al. .... D2/957
- D407,892 S 4/1999 Gaudio ..... D2/960
- D421,830 S \* 3/2000 Rohrbach et al. .... D2/947
- D429,408 S \* 8/2000 Gillespie ..... D2/951
- D432,762 S 10/2000 Weege ..... D2/953
- 6,389,712 B1 \* 5/2002 Schelling ..... 36/15

\* cited by examiner

*Primary Examiner*—Celia Murphy

(57) **CLAIM**

The ornamental design for a shoe sole, as shown and described.

**DESCRIPTION**

The shoe sole shown in FIGS. 1-7 is a left odd. The right shoe sole is an alternate embodiment of the design shown in FIGS. 1-7, and is a mirror image of the left odd.

FIG. 1 is a bottom perspective view of the shoe sole showing the new design as viewed from the bottom of a shoe. The shoe upper shown in broken lines is not part of the design sought to be patented and is shown for illustrative purposes only;

FIG. 2 is a front perspective view thereof;

FIG. 3 is a bottom perspective view thereof;

FIG. 4 is a bottom plan view thereof;

FIG. 5 is a front elevational view thereof;

FIG. 6 is a rear elevational view thereof; and,

FIG. 7 is a rear elevational view thereof.

**1 Claim, 3 Drawing Sheets**



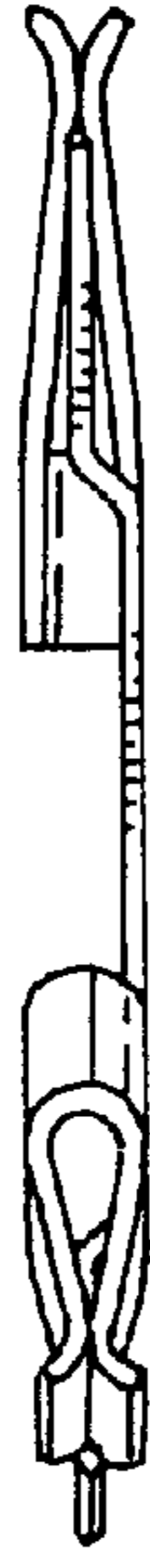


FIG. 2

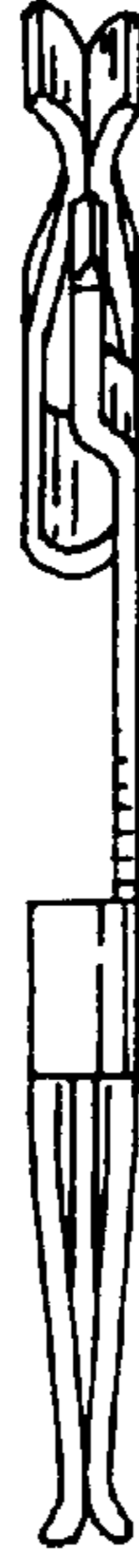


FIG. 3

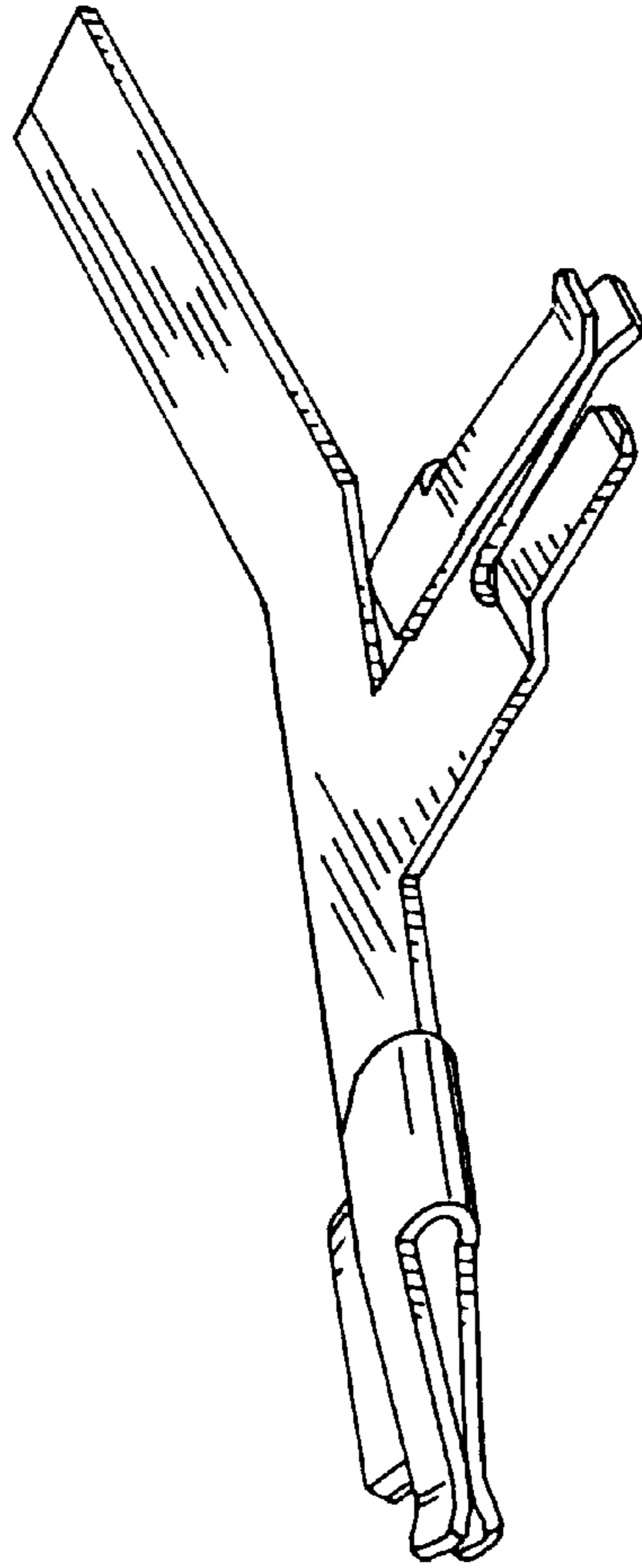


FIG. 1

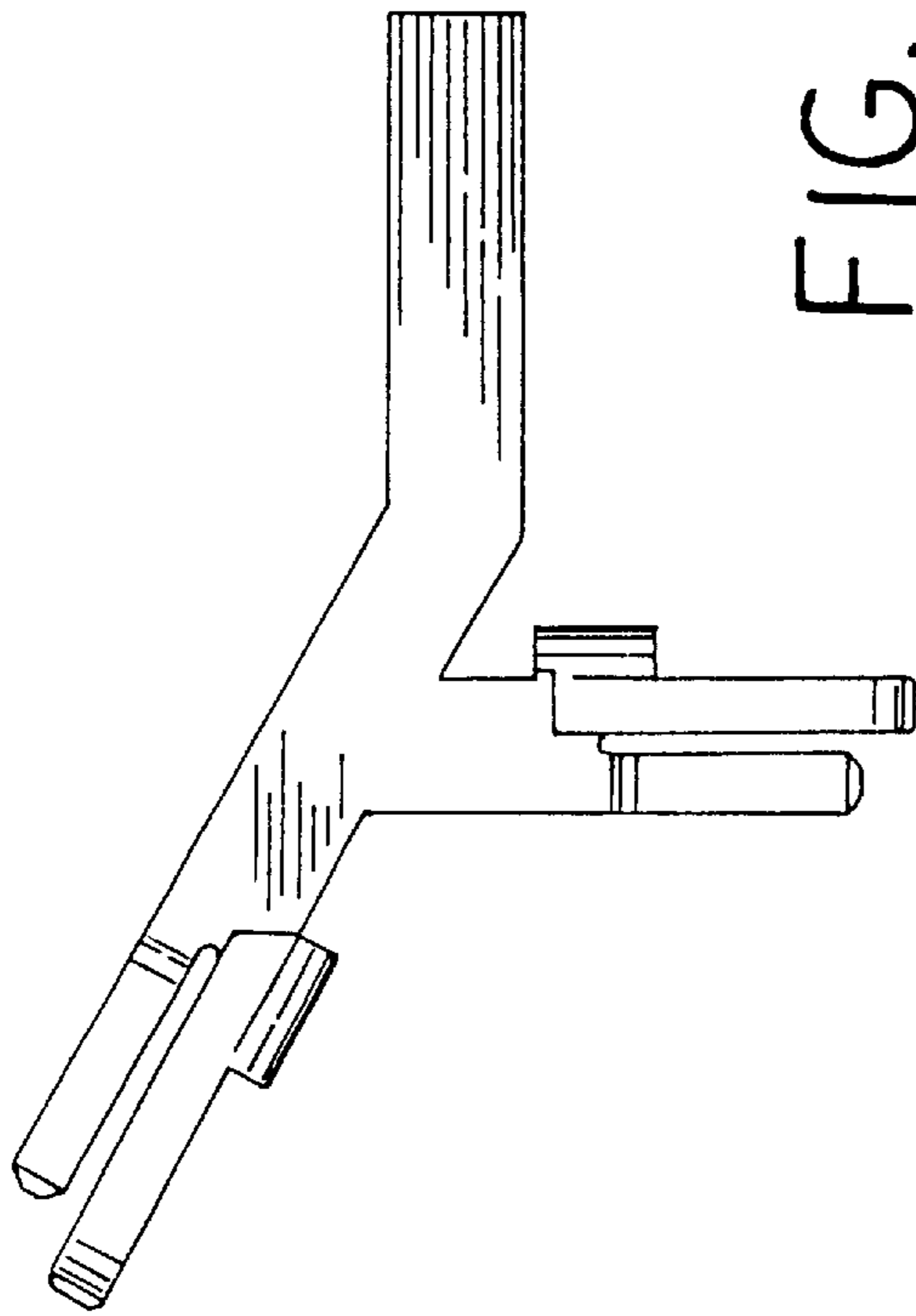




FIG. 6

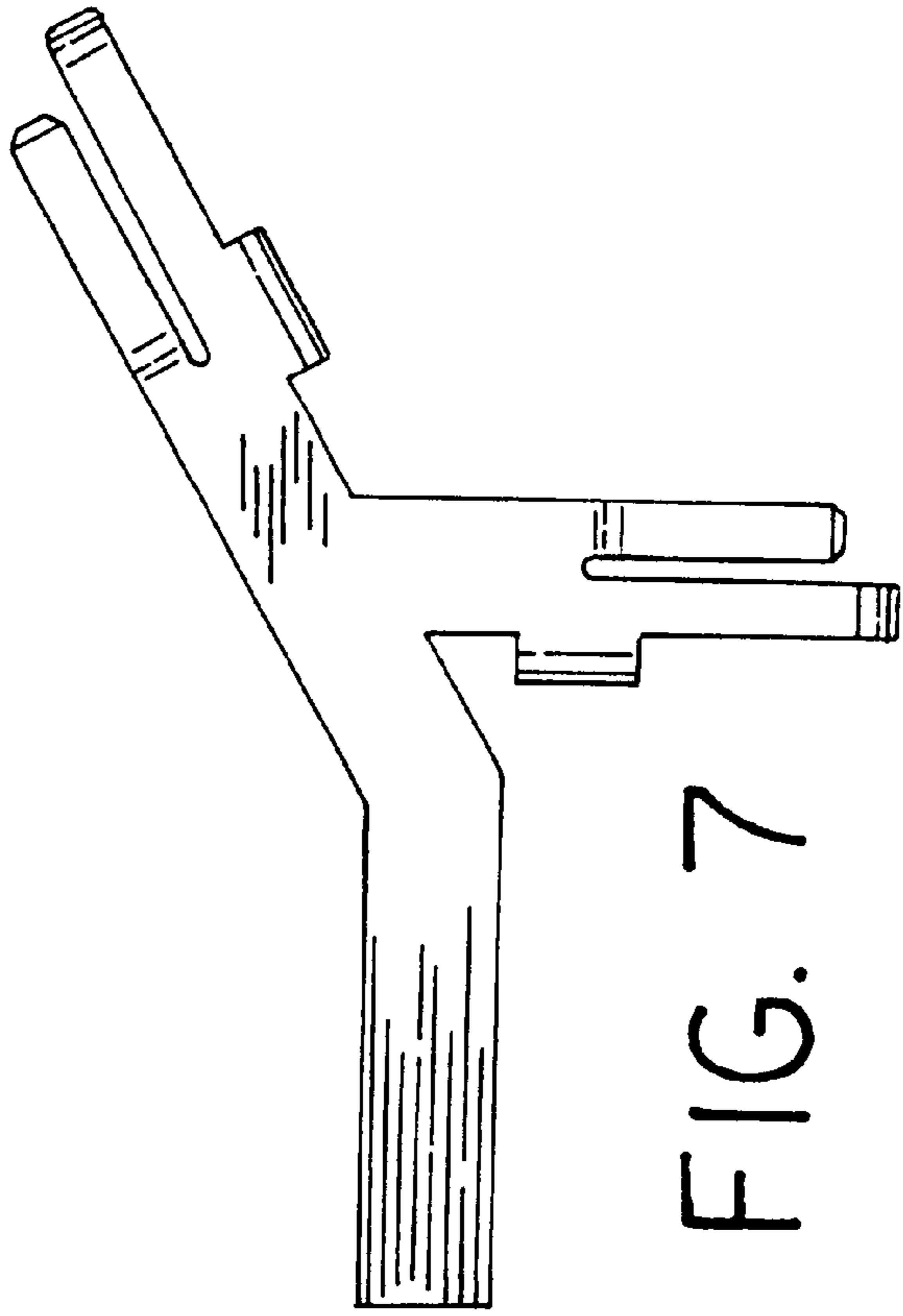


FIG. 7

UNITED STATES PATENT AND TRADEMARK OFFICE  
**CERTIFICATE OF CORRECTION**

PATENT NO. : Des. 487,611 S  
DATED : March 23, 2004  
INVENTOR(S) : Weege et al.

Page 1 of 8

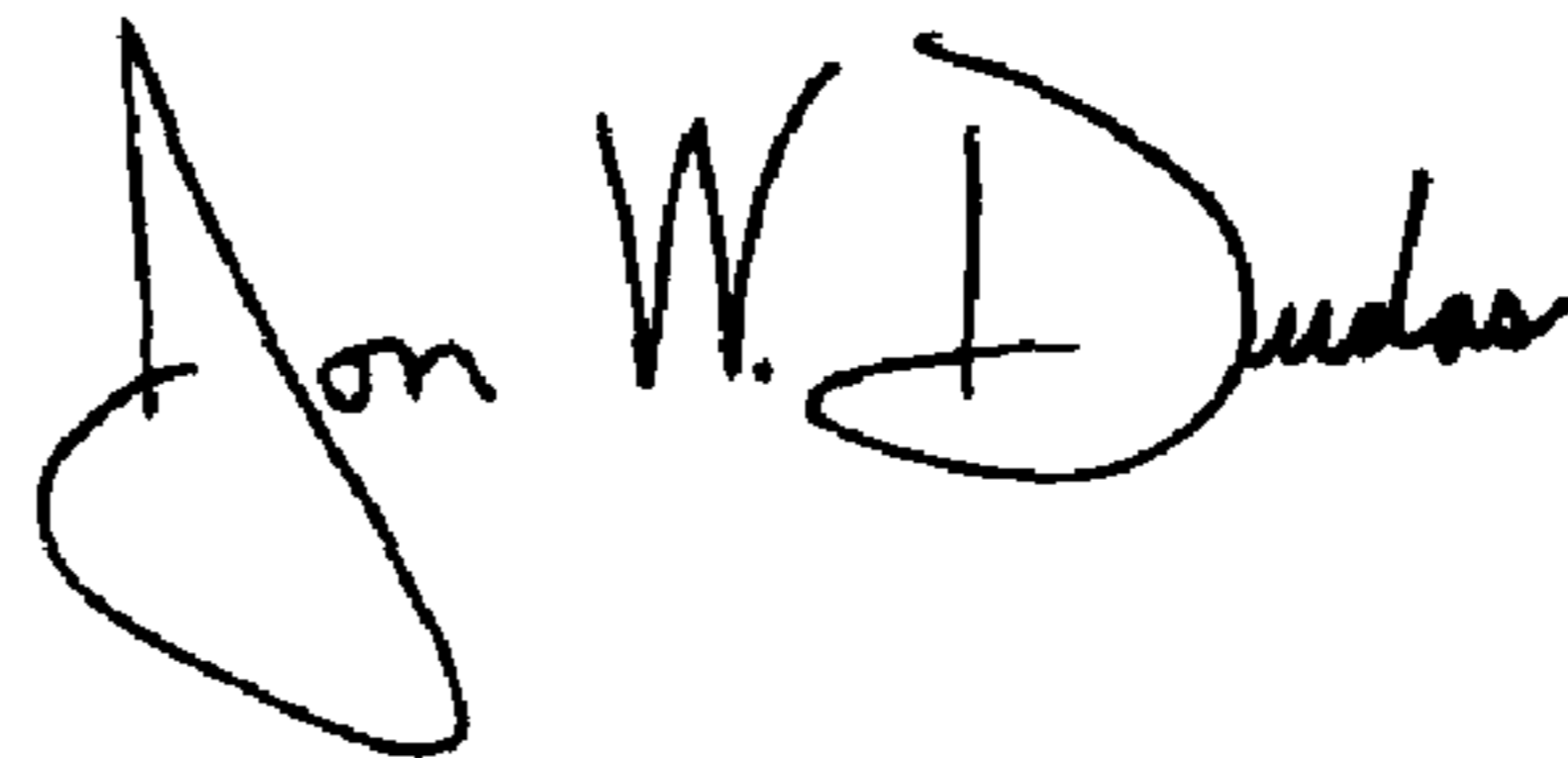
It is certified that error appears in the above-identified patent and that said Letters Patent is hereby corrected as shown below:

Drawings,

Please change Formal Drawing FIGS. 1-7 as follows:

Signed and Sealed this

Seventeenth Day of August, 2004

A handwritten signature in black ink that reads "Jon W. Dudas". The signature is written in a cursive style with a large, looped initial "J".

---

JON W. DUDAS  
*Acting Director of the United States Patent and Trademark Office*

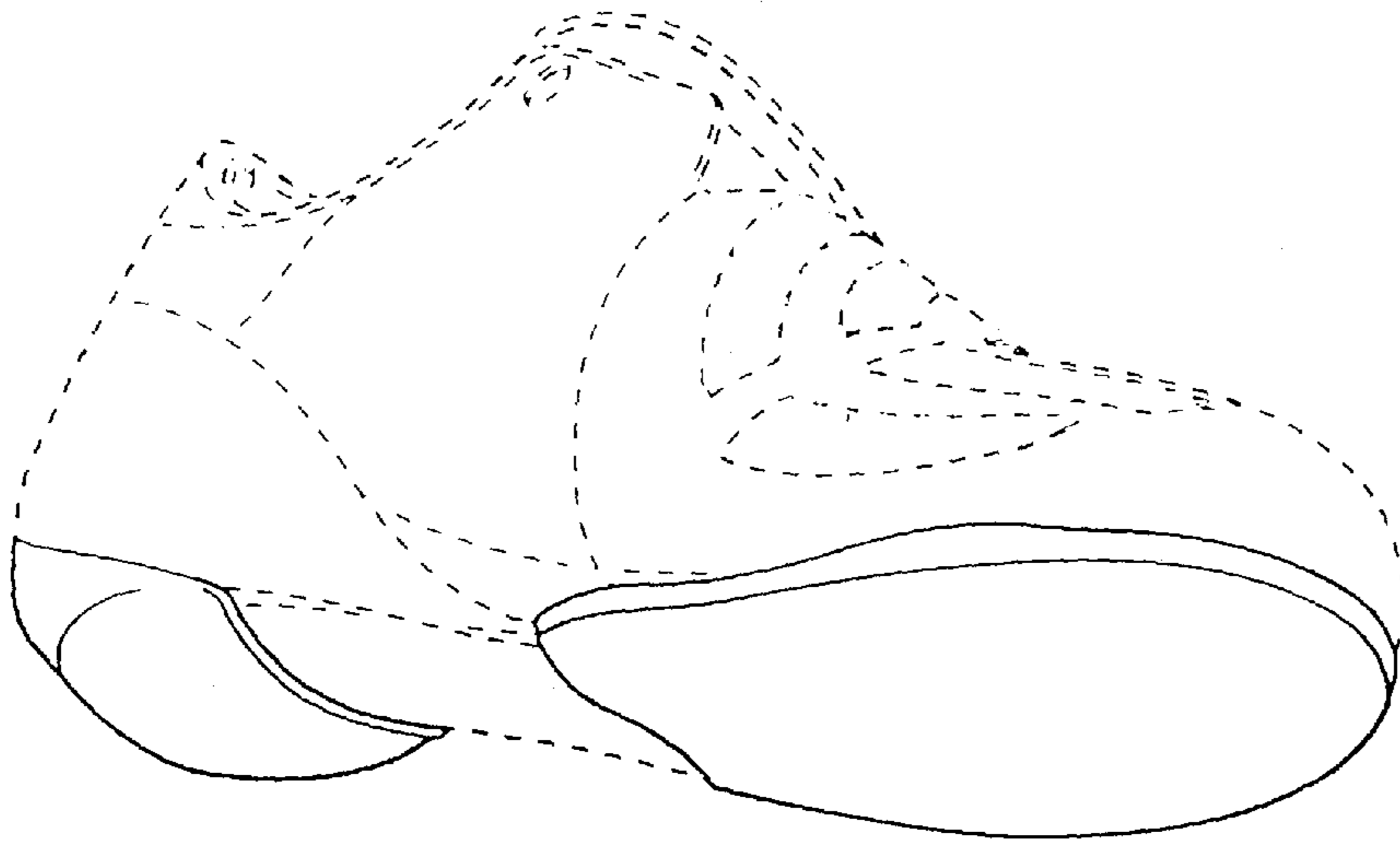
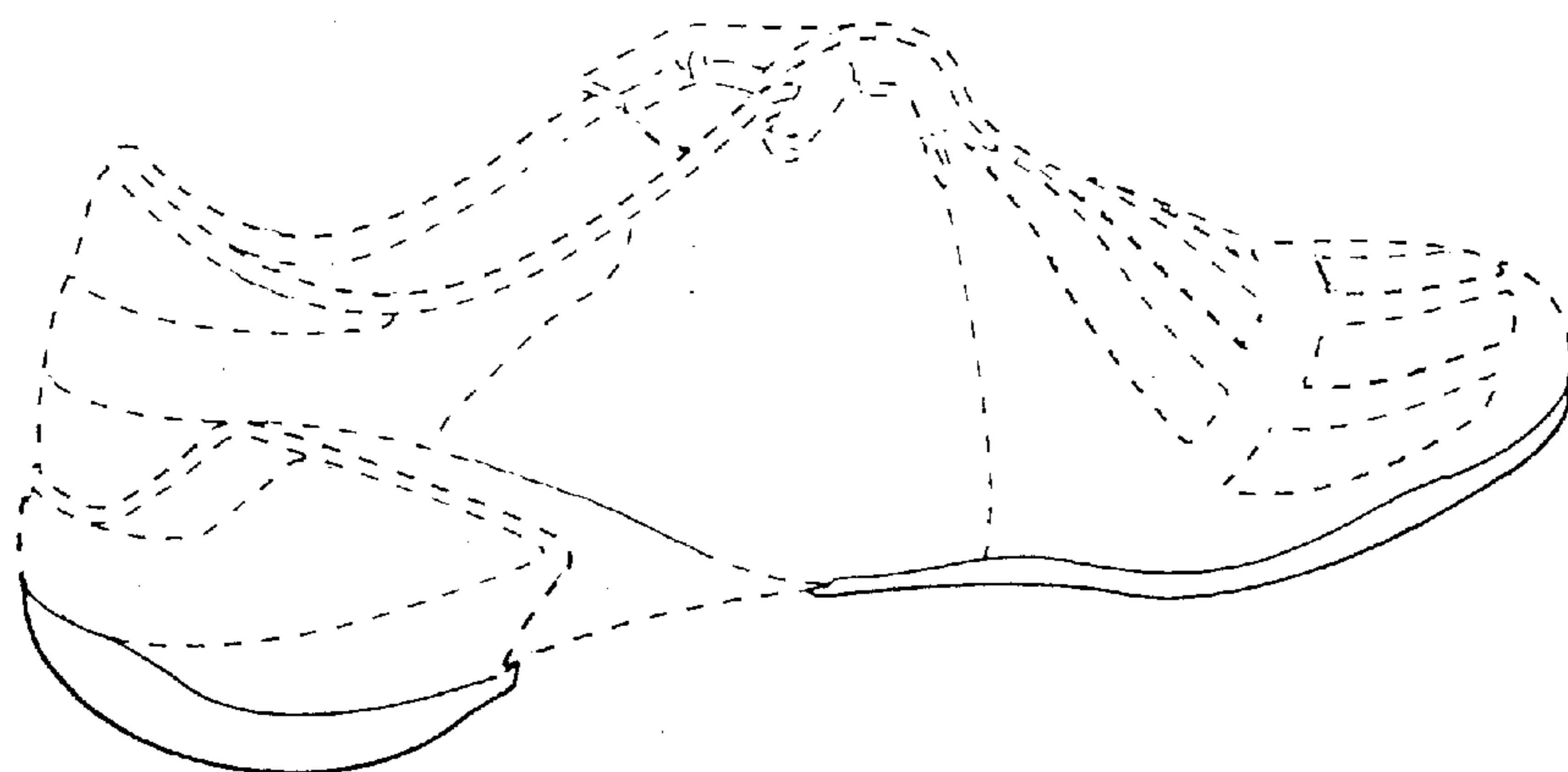


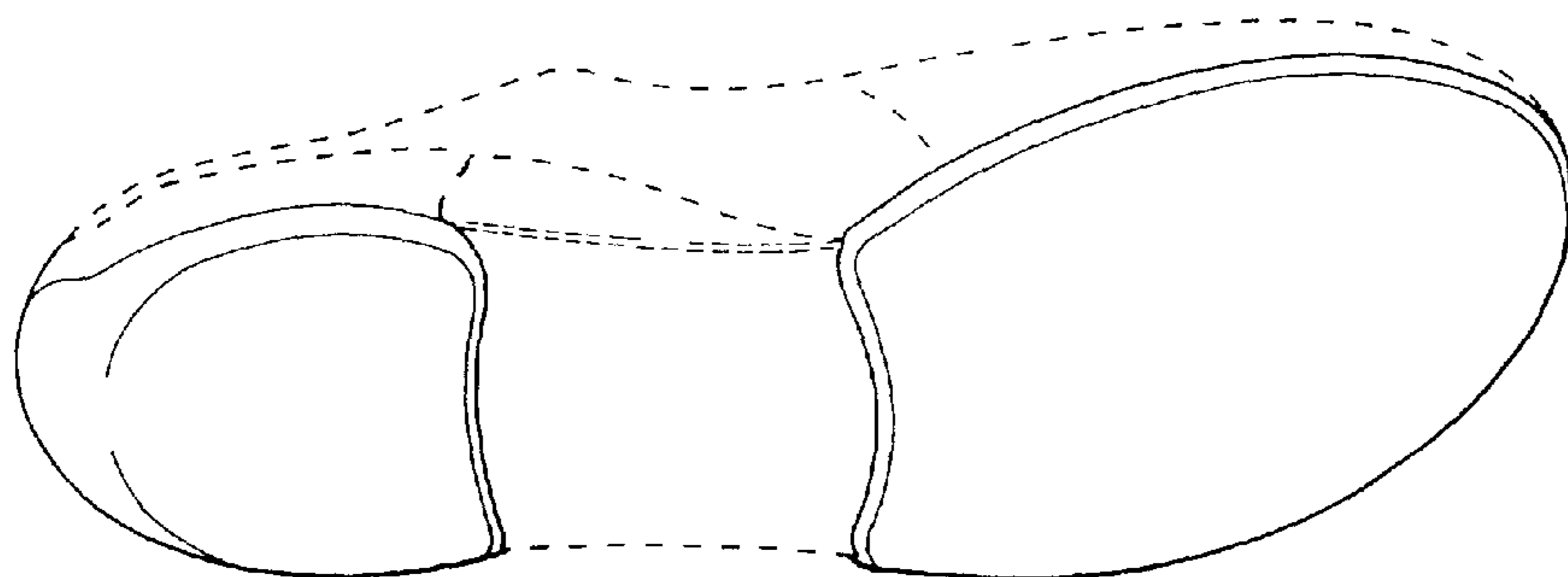
FIG. 1

---



**FIG. 2**

---



**FIG. 3**

---



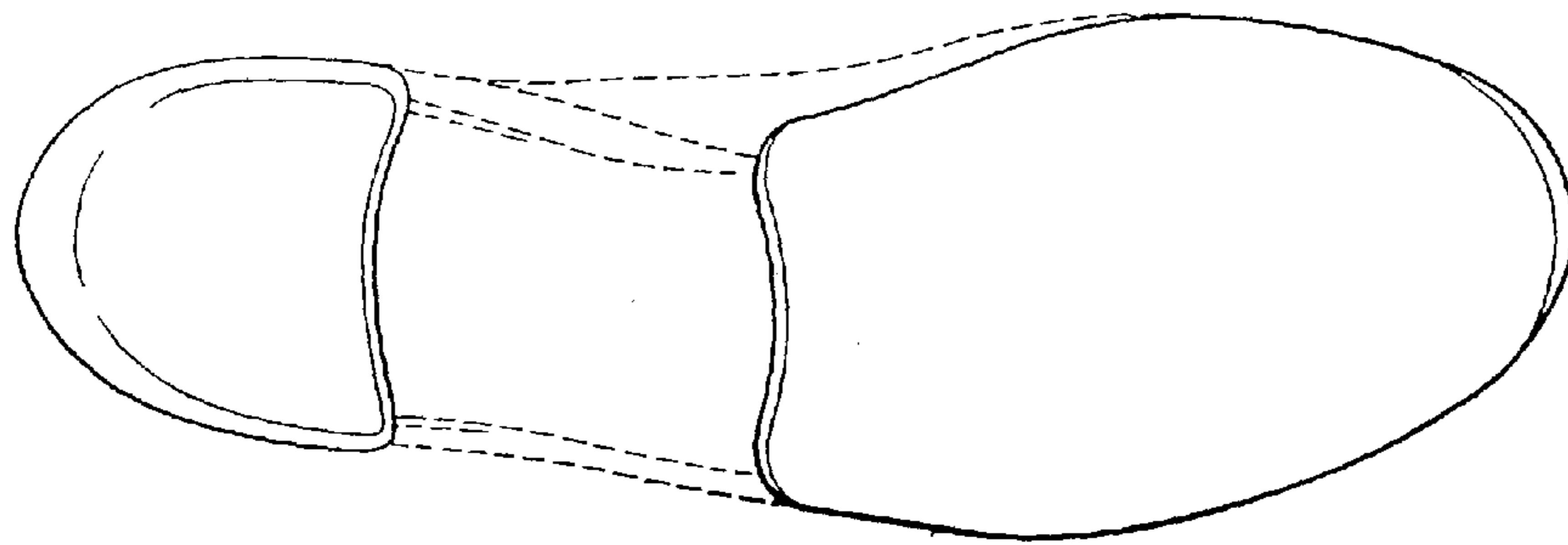
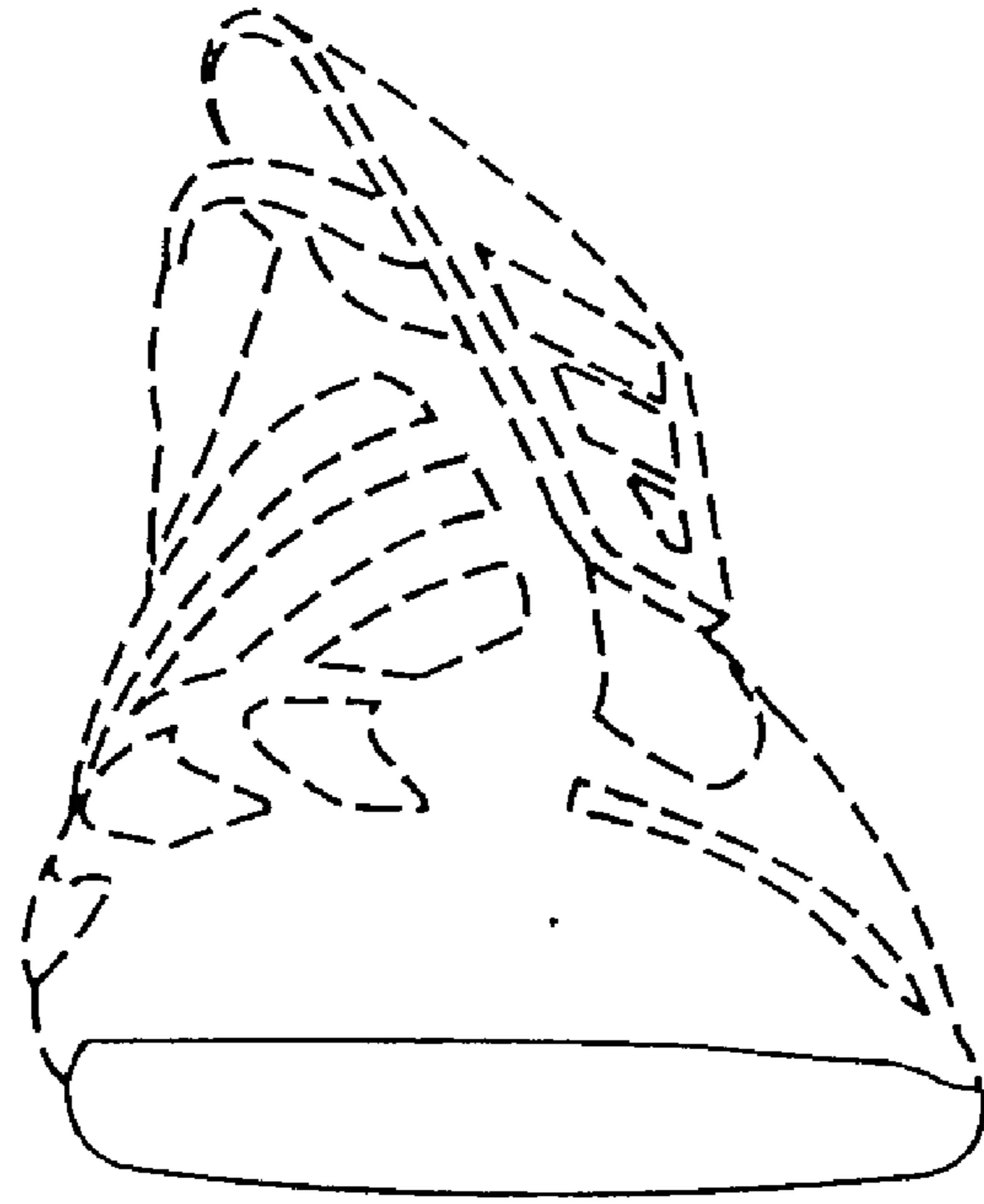


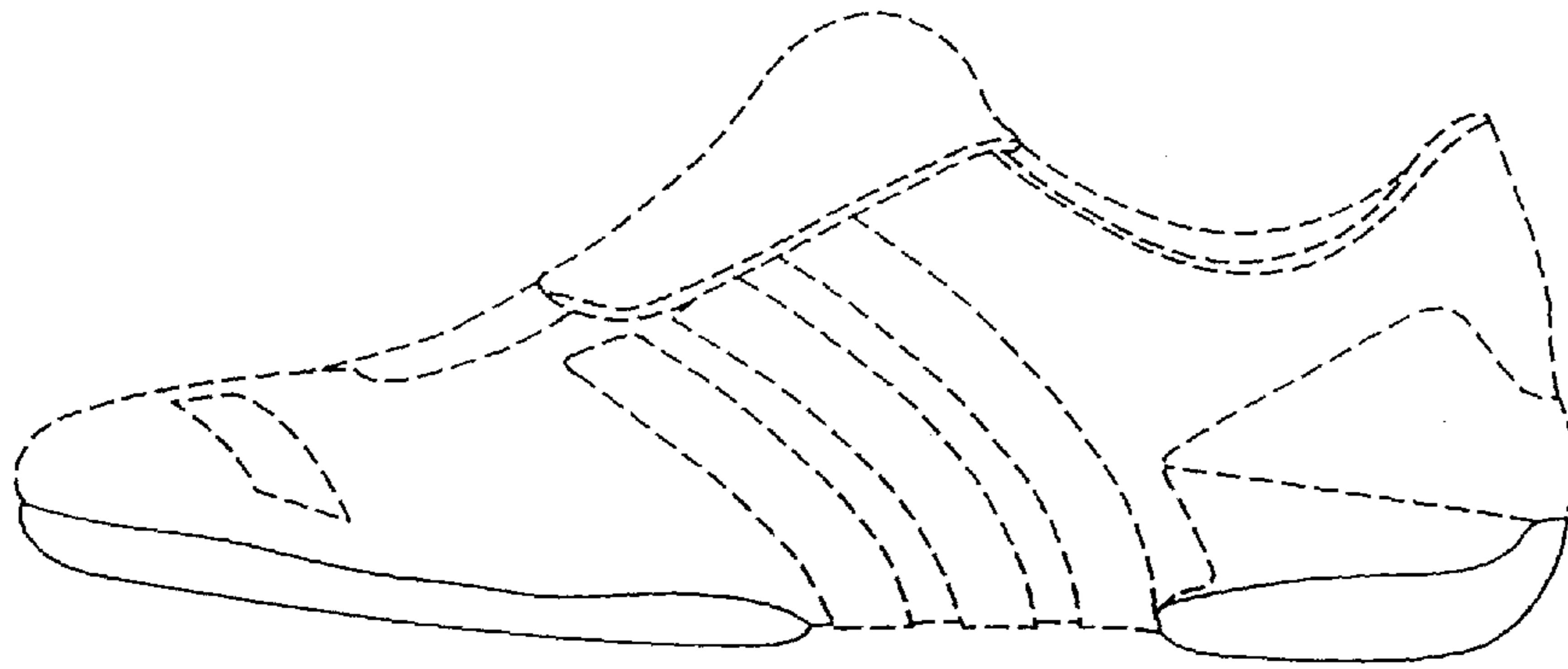
FIG. 4

---



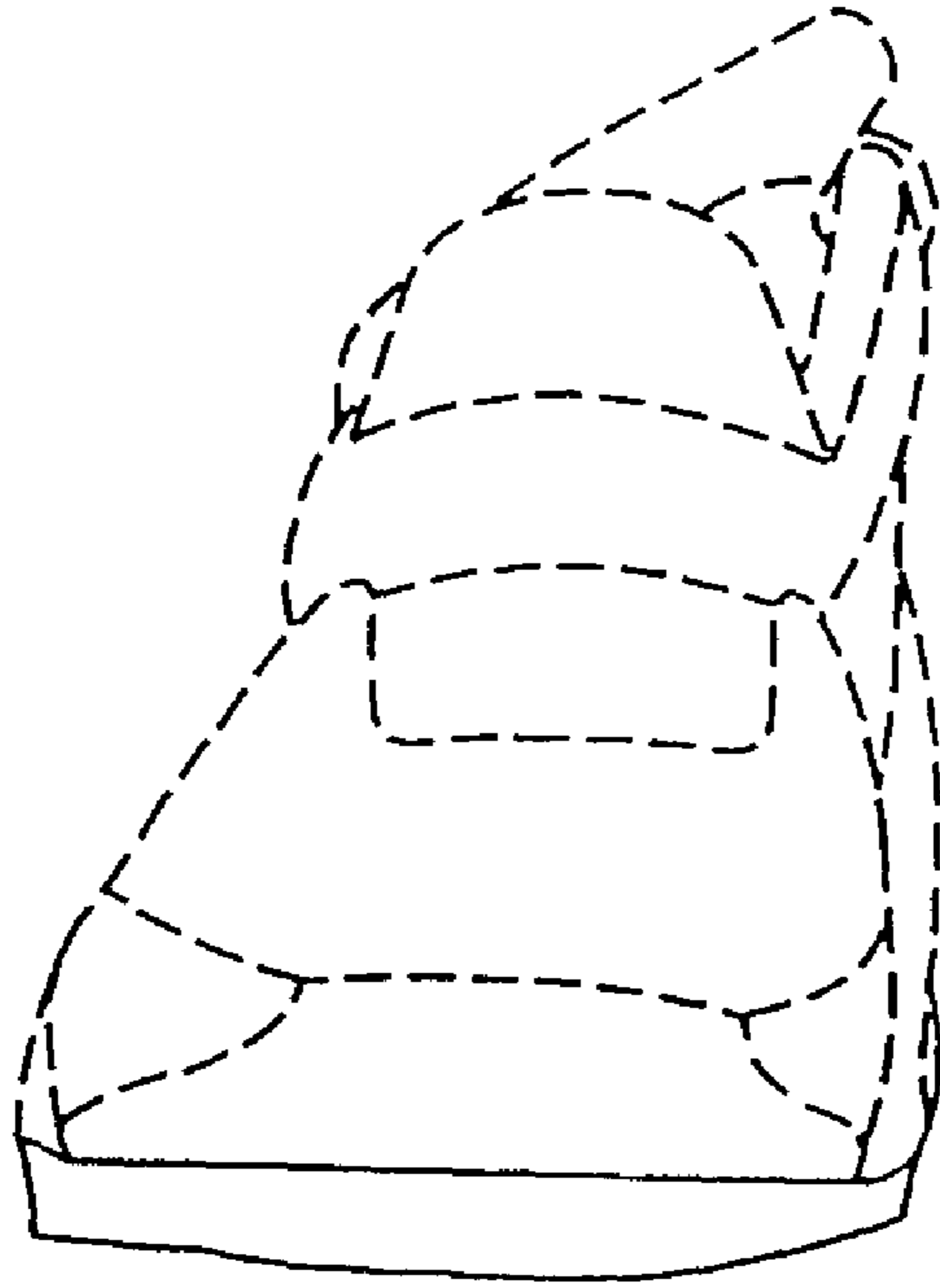
**FIG. 5**

---



**FIG. 6**

---



**FIG. 7**

---