



US00D487605S

(12) **United States Design Patent**
Laverdière

(10) **Patent No.:** **US D487,605 S**
(45) **Date of Patent:** **** Mar. 16, 2004**

(54) **SERVICE TABLE**

(75) Inventor: **Guy Laverdière, Lasalle (CA)**
(73) Assignee: **Silhouet-Tone Ltd., Montreal (CA)**
(**) Term: **14 Years**

(21) Appl. No.: **29/169,916**
(22) Filed: **Oct. 29, 2002**

(30) **Foreign Application Priority Data**

Sep. 6, 2002 (CA) 100476

(51) **LOC (7) Cl.** **12-02**
(52) **U.S. Cl.** **D34/21; D6/455**
(58) **Field of Search** **D34/12-27; D6/479, D6/477, 445, 473; 280/79.2, 79.3, 47.35, 47.34, 47.19; 297/374; 211/187; 312/257.1**

(56) **References Cited**

U.S. PATENT DOCUMENTS

D315,459 S	*	3/1991	Young et al.	D6/465
D326,970 S	*	6/1992	Allen	D6/473
D361,419 S	*	8/1995	Snell	D34/21
D377,127 S	*	1/1997	Barrington	D6/477
D386,870 S	*	11/1997	Halvorson et al.	D34/21
D441,984 S	*	5/2001	Melillo	D6/445
D455,881 S	*	4/2002	Arvans	D34/21
D476,510 S	*	7/2003	Henry et al.	D6/479
D478,199 S	*	8/2003	Presnell et al.	D34/20

* cited by examiner

Primary Examiner—Kay H. Chin

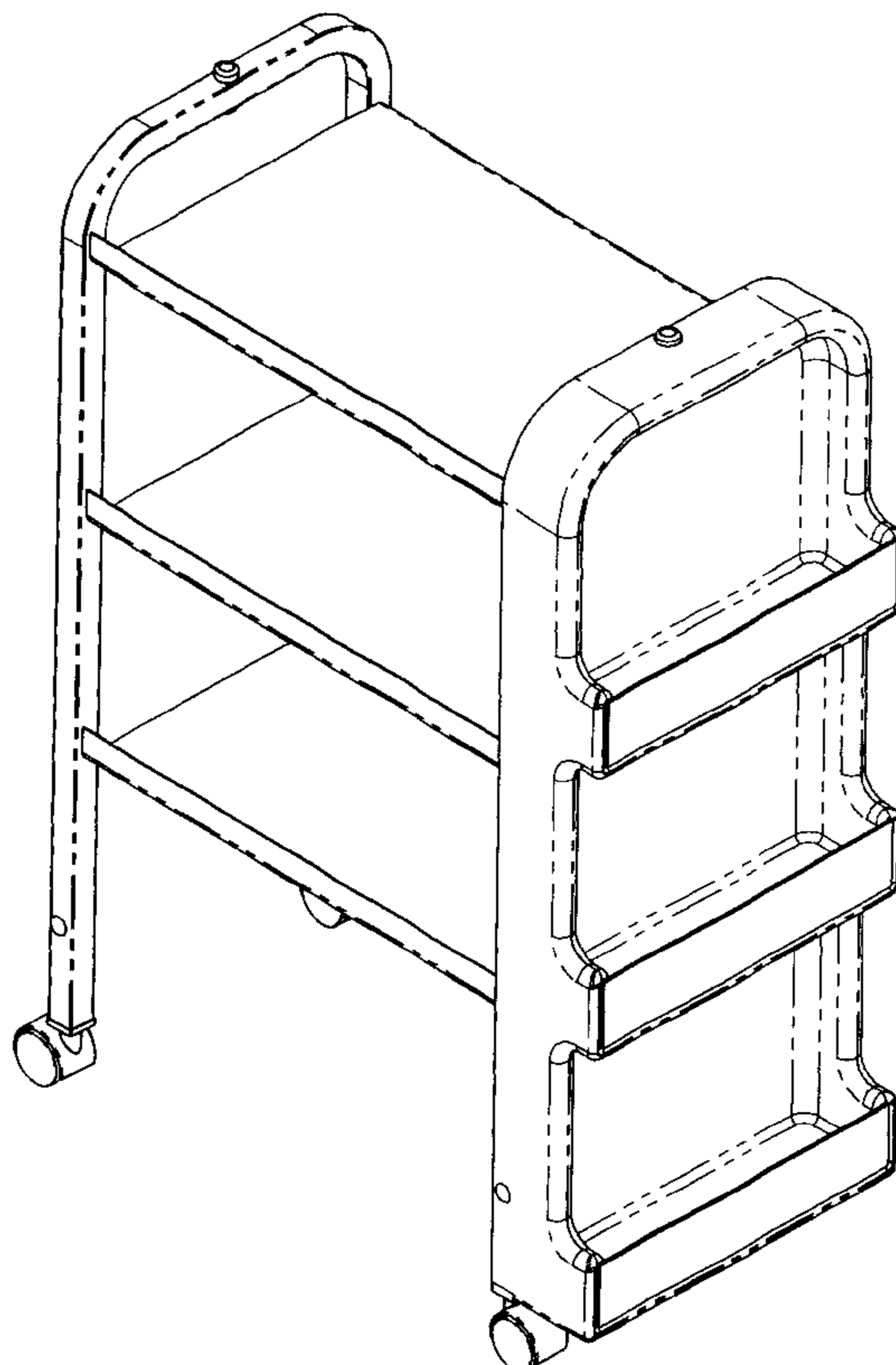
(57) **CLAIM**

The ornamental design for a service table, as shown and described.

DESCRIPTION

FIG. 1 is a front view of the service table, with a shelf on its right side, showing my new design;
FIG. 2 is a right side view thereof;
FIG. 3 is a top plan view thereof;
FIG. 4 is a perspective view thereof;
FIG. 5 is a front view of the service table, with a shelf on its left side, showing my new design;
FIG. 6 is a right side view thereof;
FIG. 7 is a top plan view thereof;
FIG. 8 is a perspective view thereof;
FIG. 9 is a front view of the service table, with no shelves, showing my new design;
FIG. 10 is a side view thereof;
FIG. 11 is a top plan thereof;
FIG. 12 is a perspective view thereof;
FIG. 13 is a front view of the service table, with shelves on both sides, showing my new design;
FIG. 14 is a side view thereof;
FIG. 15 is a top plan view thereof; and,
FIG. 16 is a perspective view thereof.

1 Claim, 16 Drawing Sheets



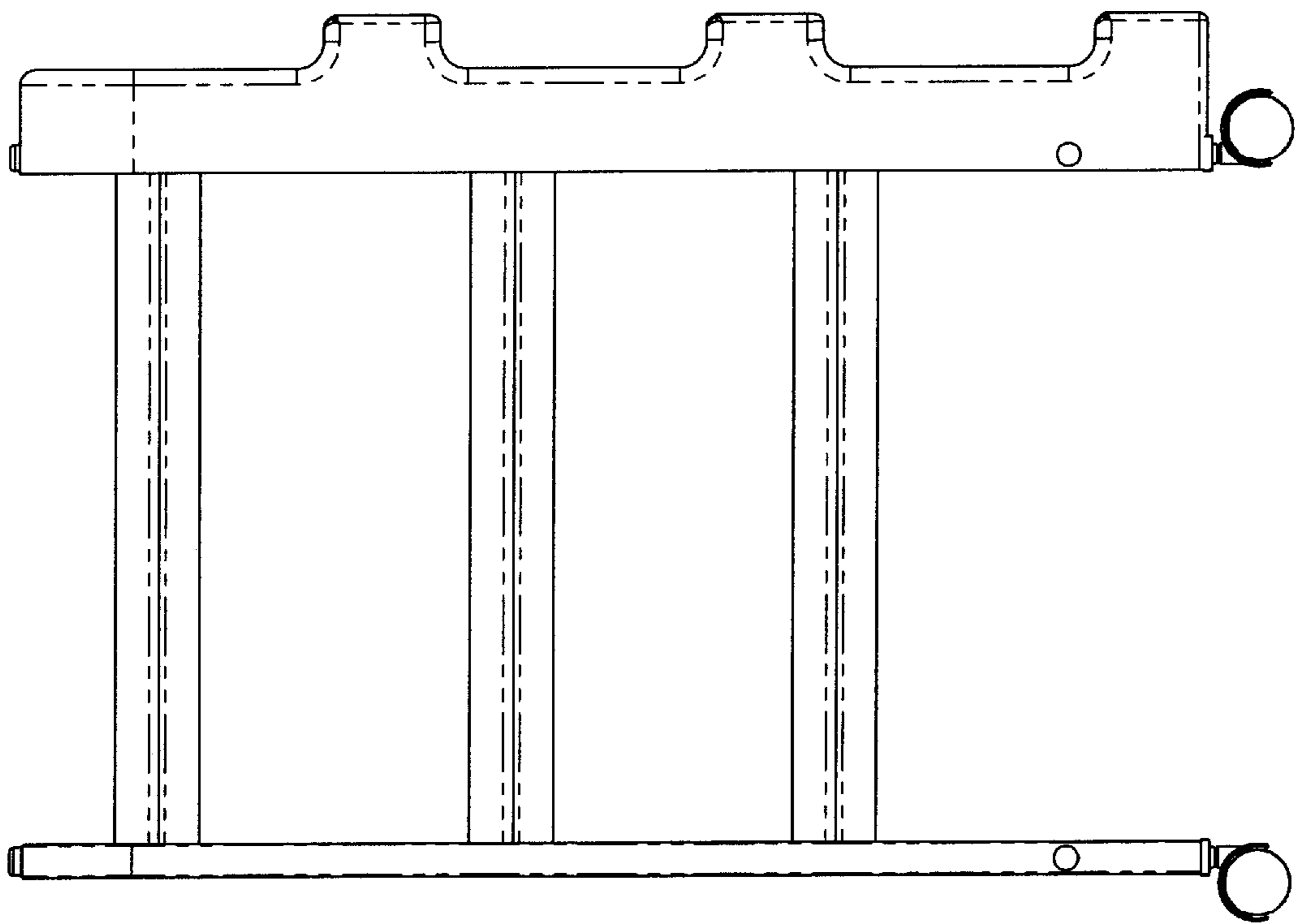


FIGURE 1

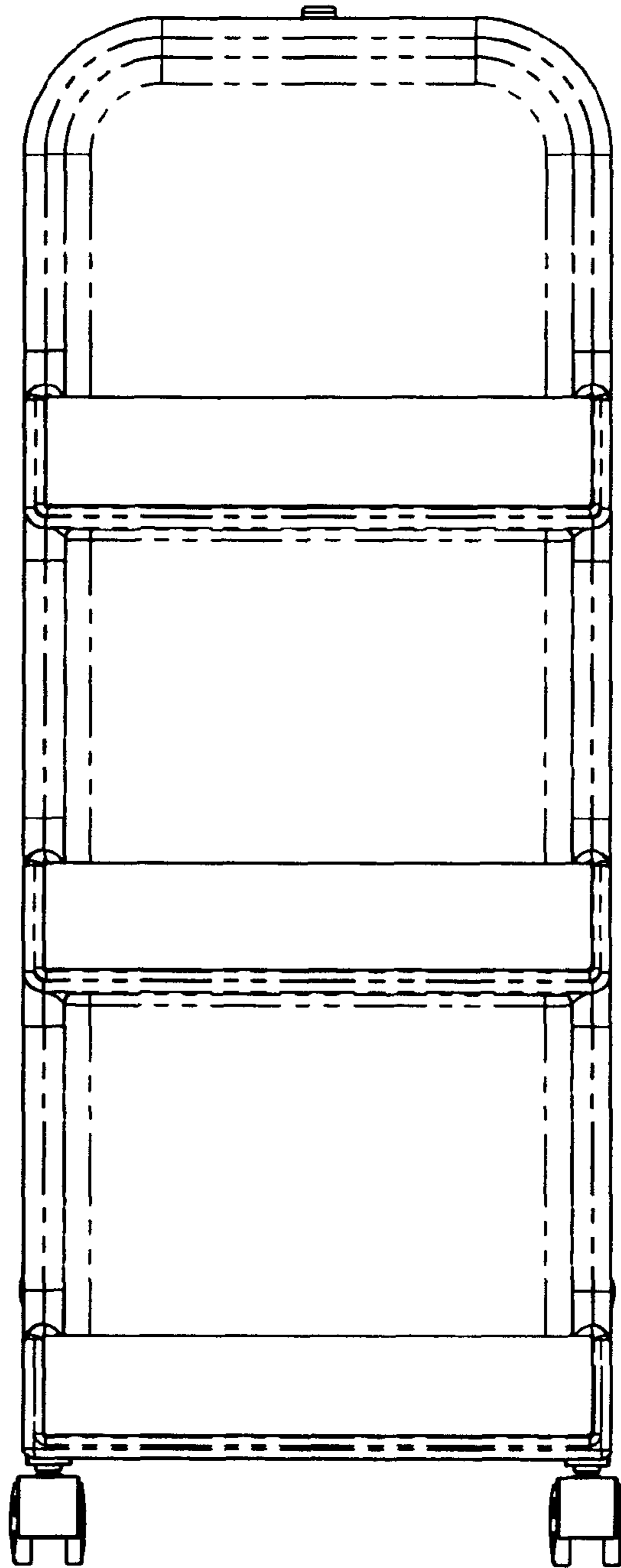


FIGURE 2

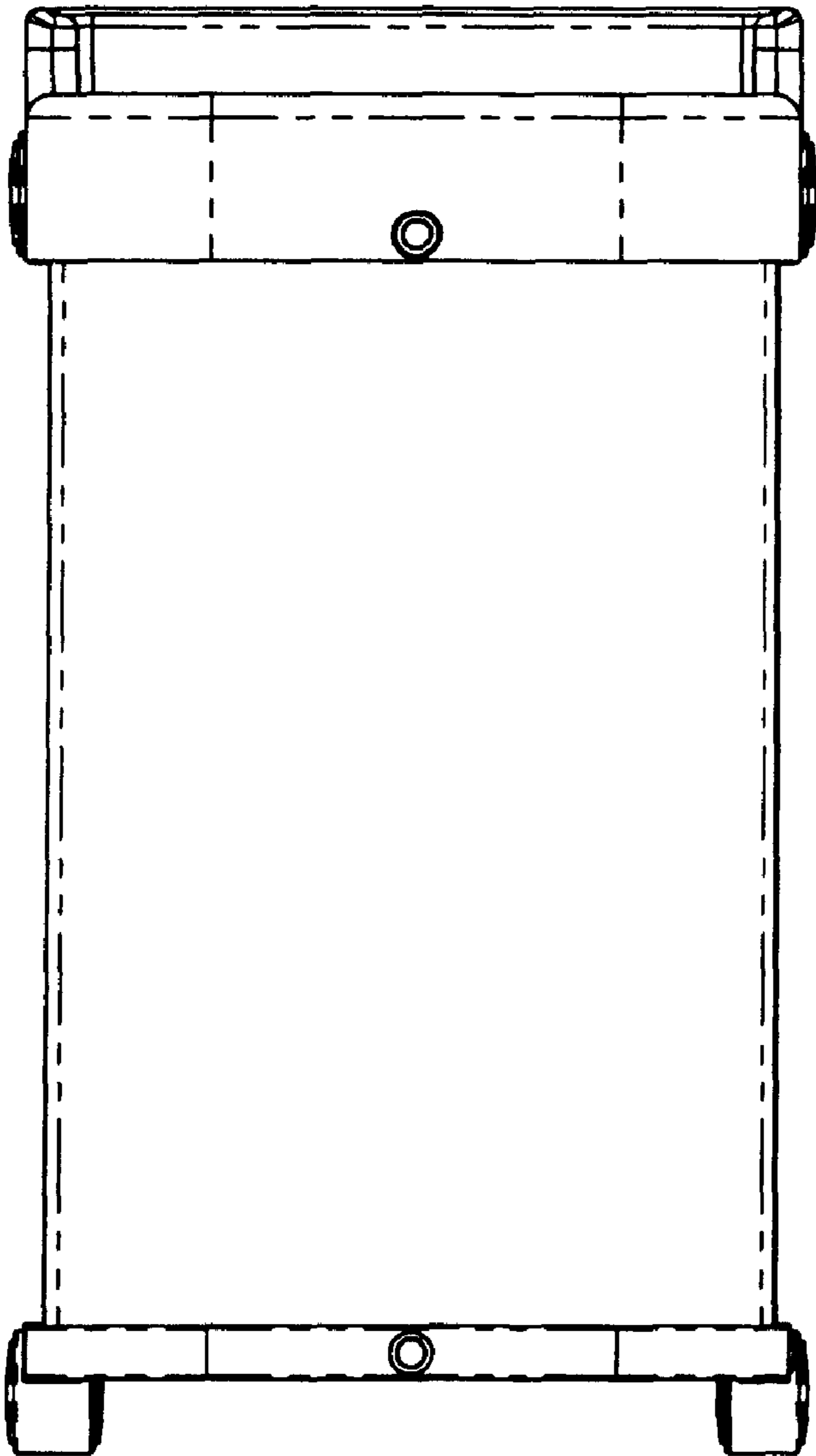


FIGURE 3

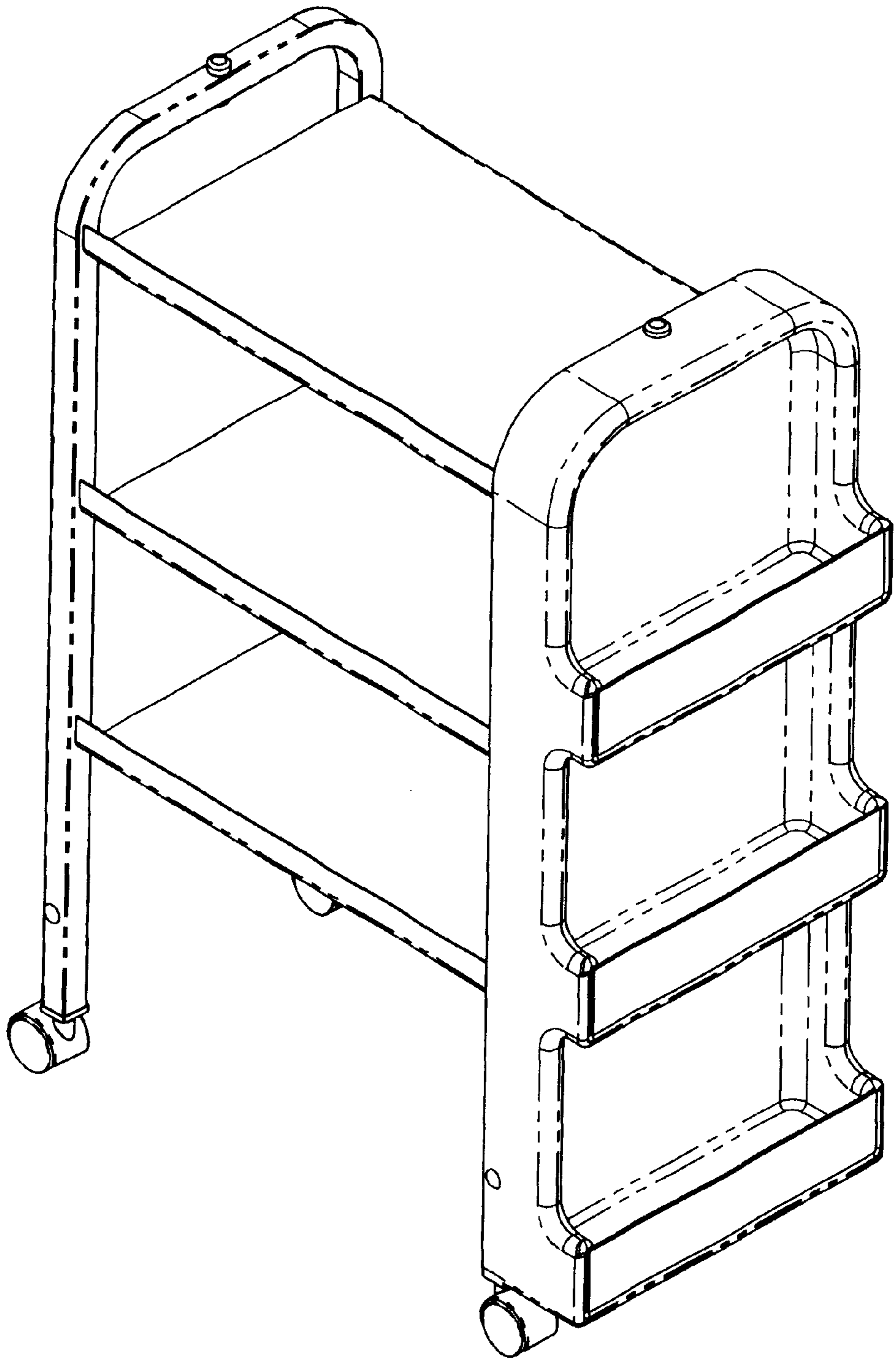


FIGURE 4

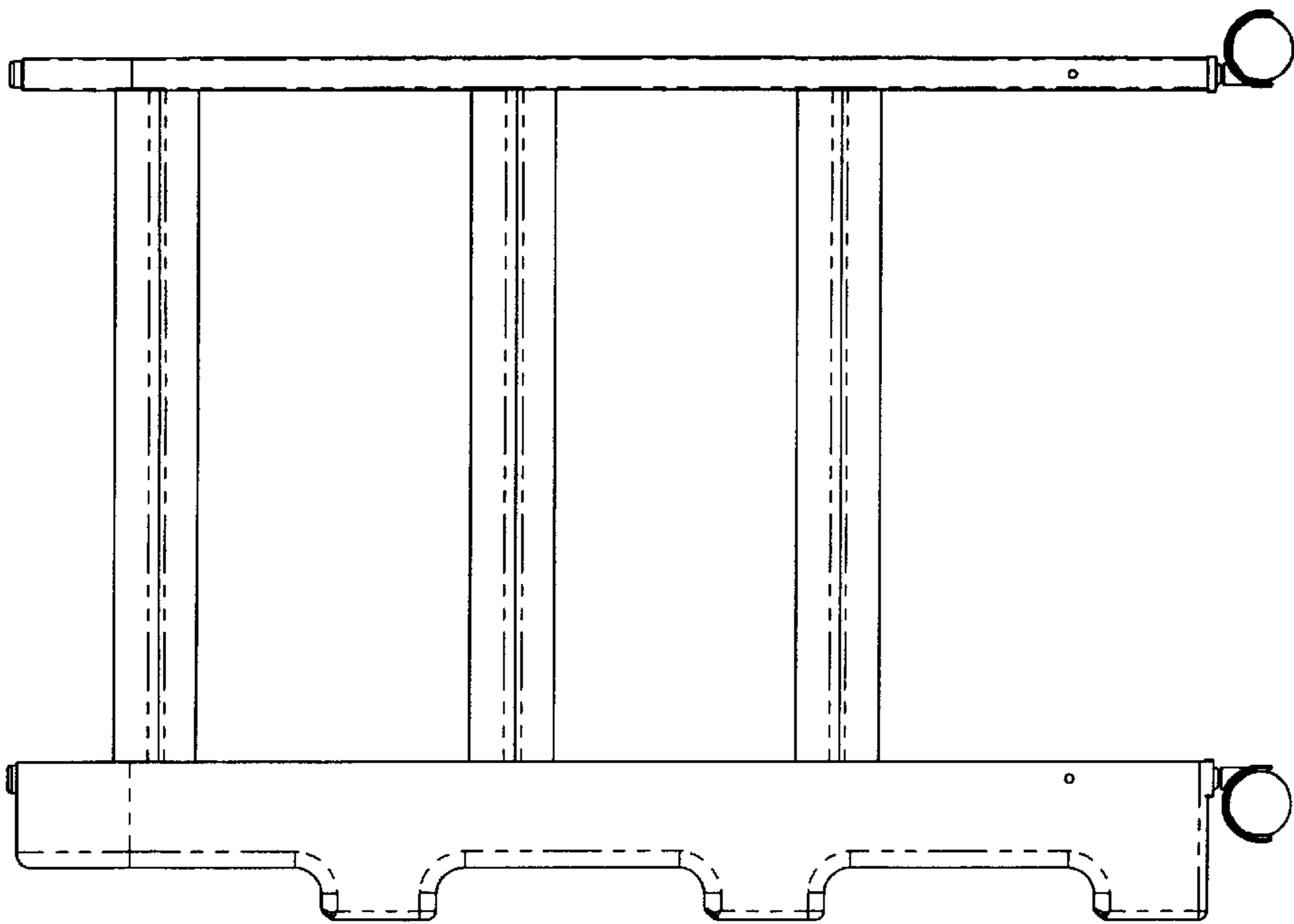


FIGURE 5

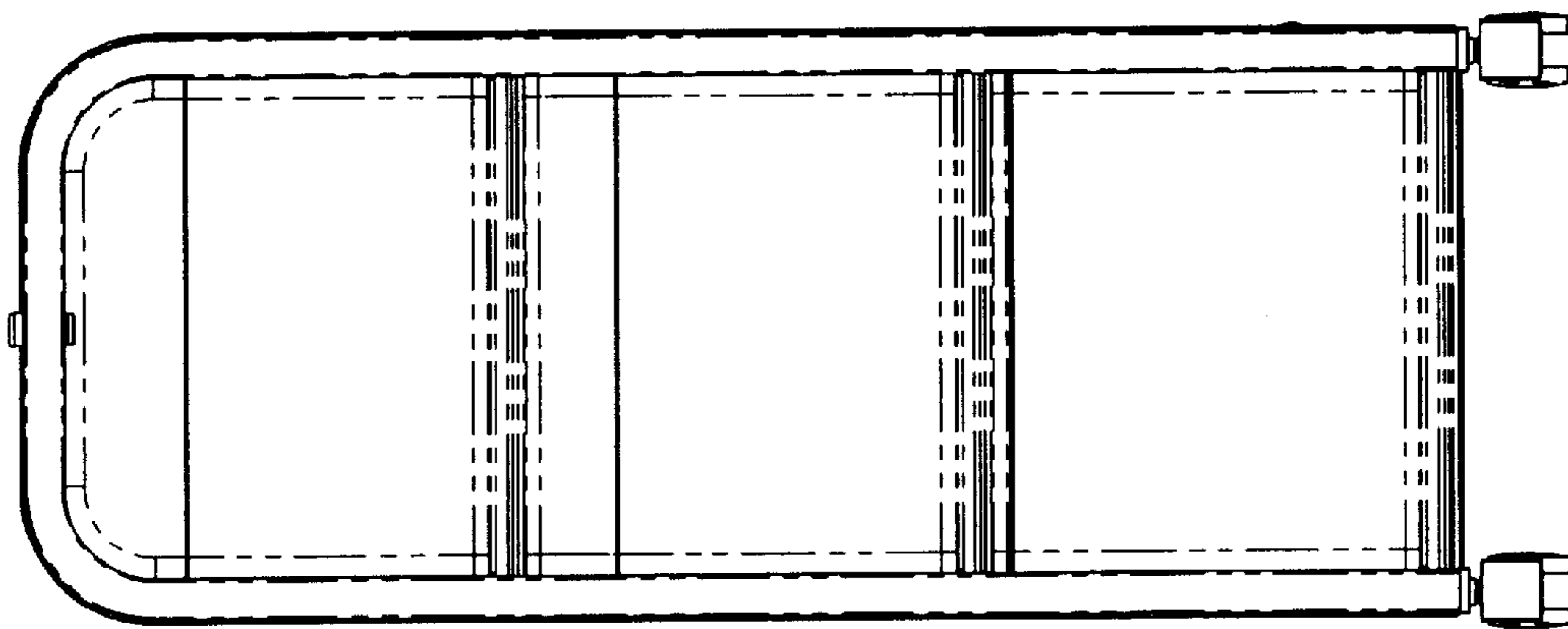


FIGURE 6

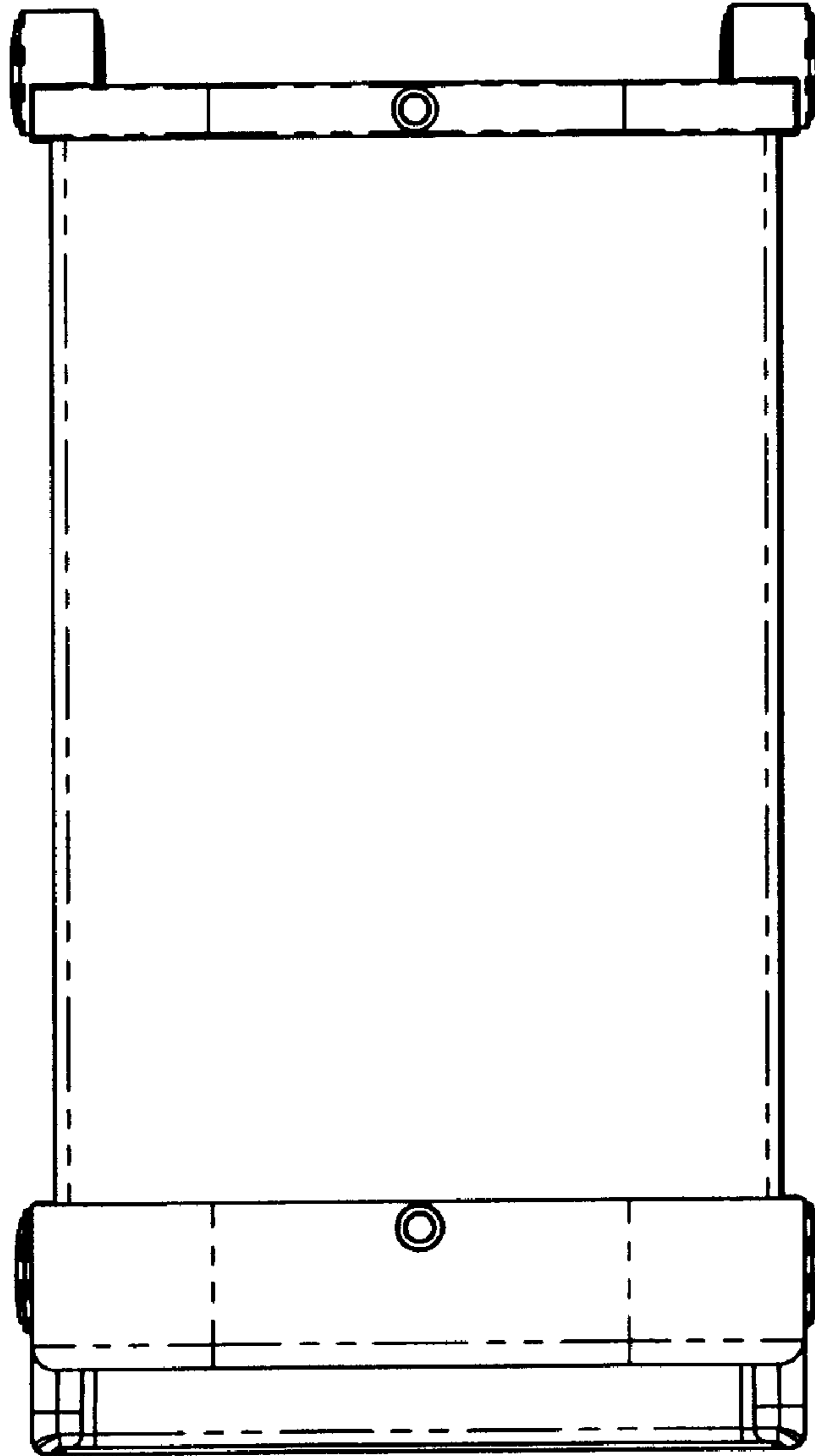


FIGURE 7

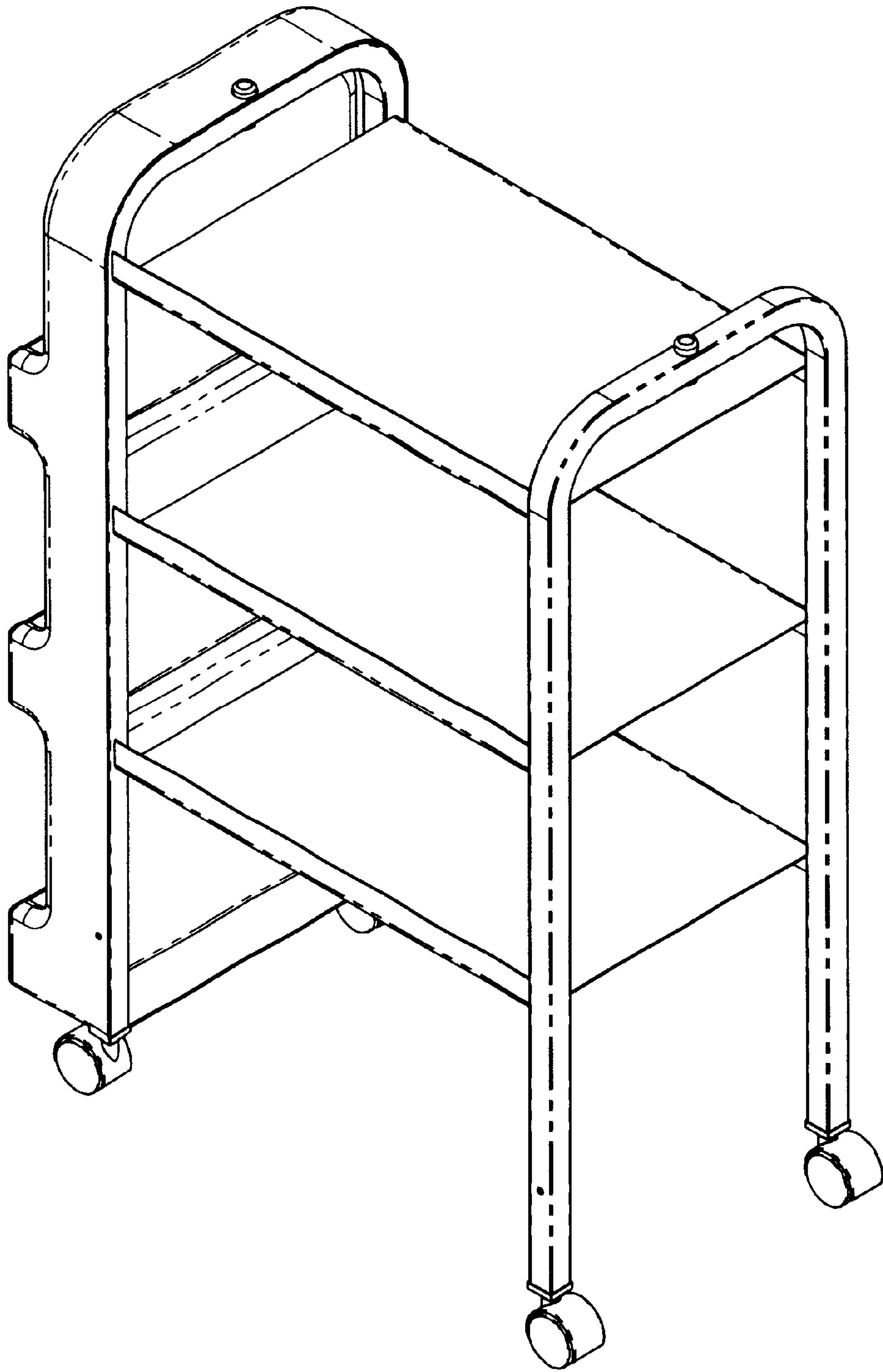


FIGURE 8

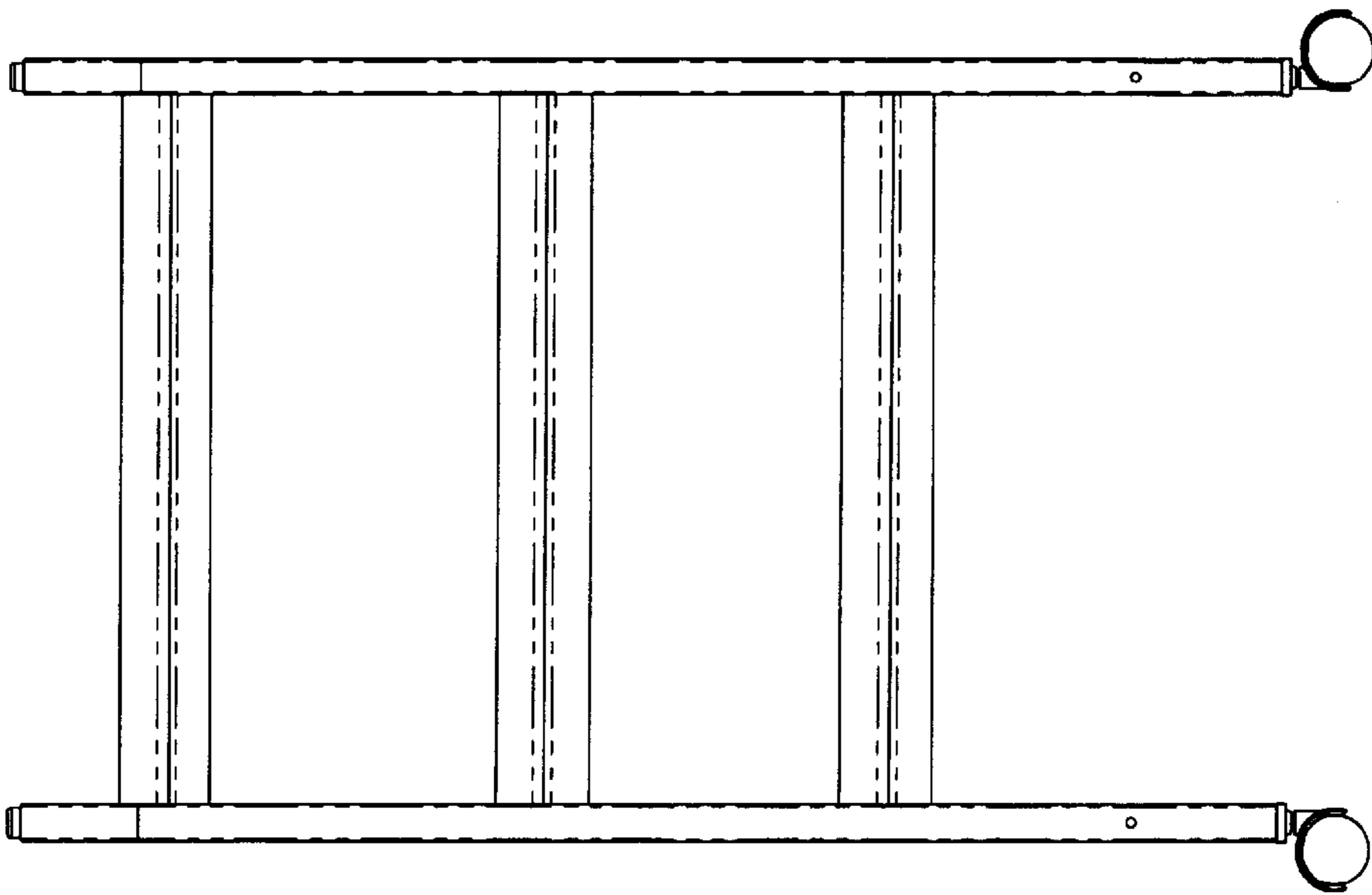


FIGURE 9

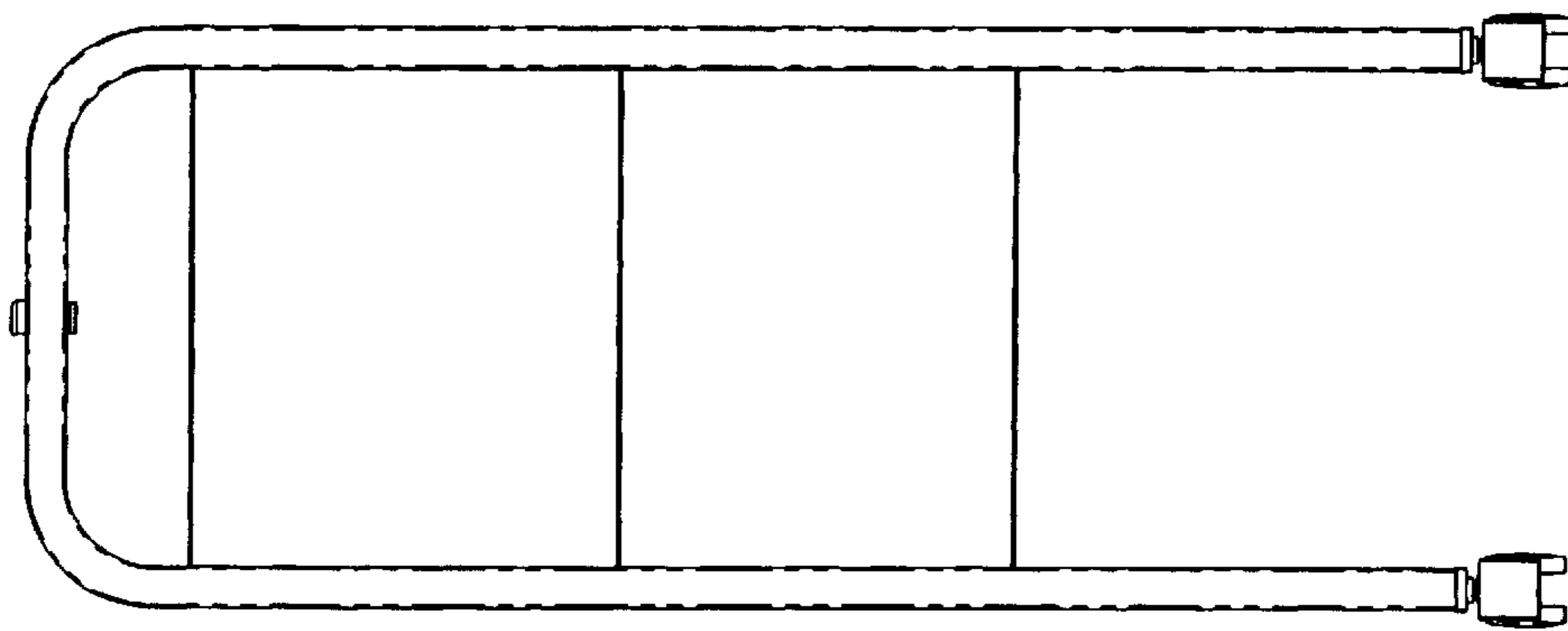


FIGURE 10

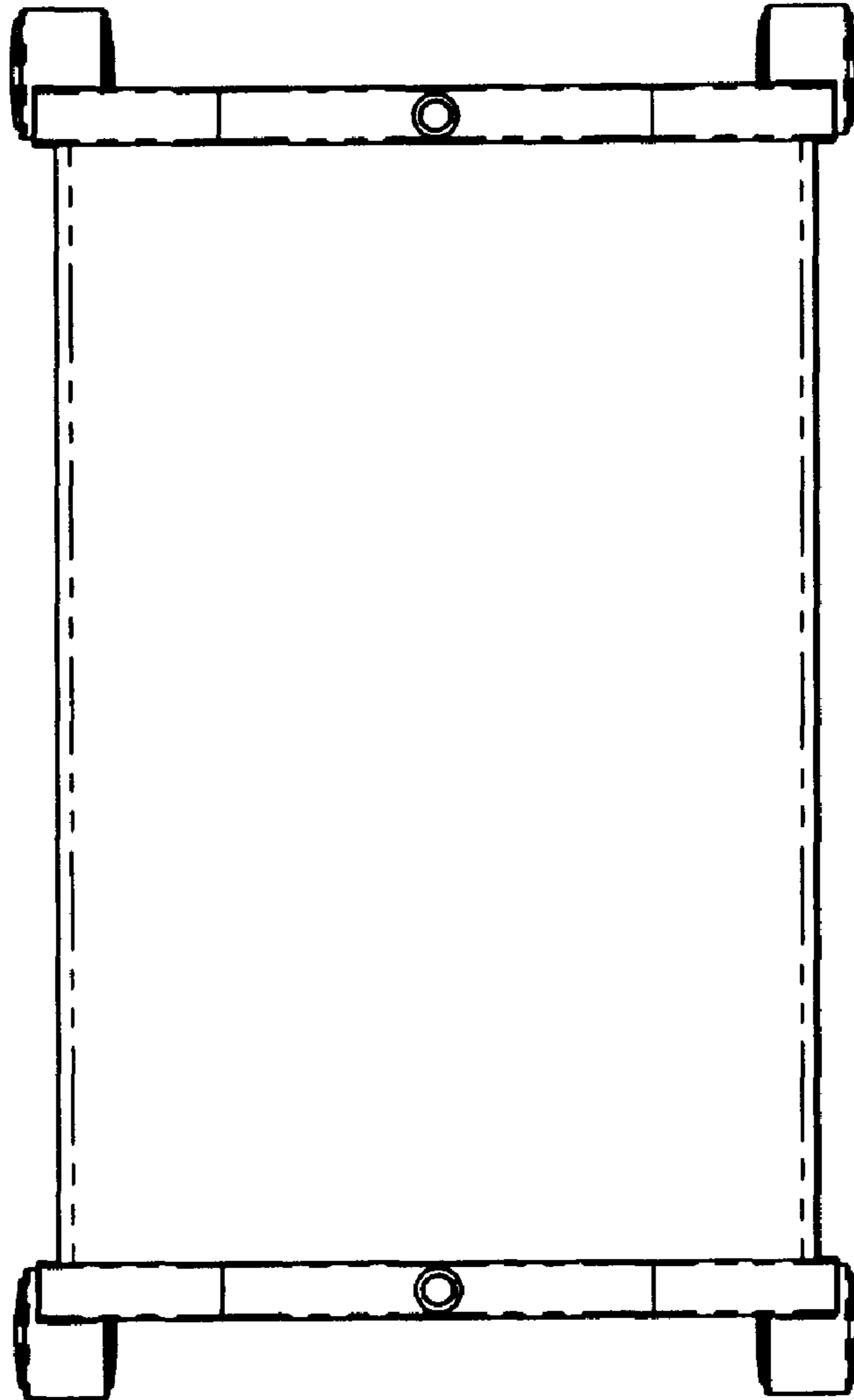


FIGURE 11

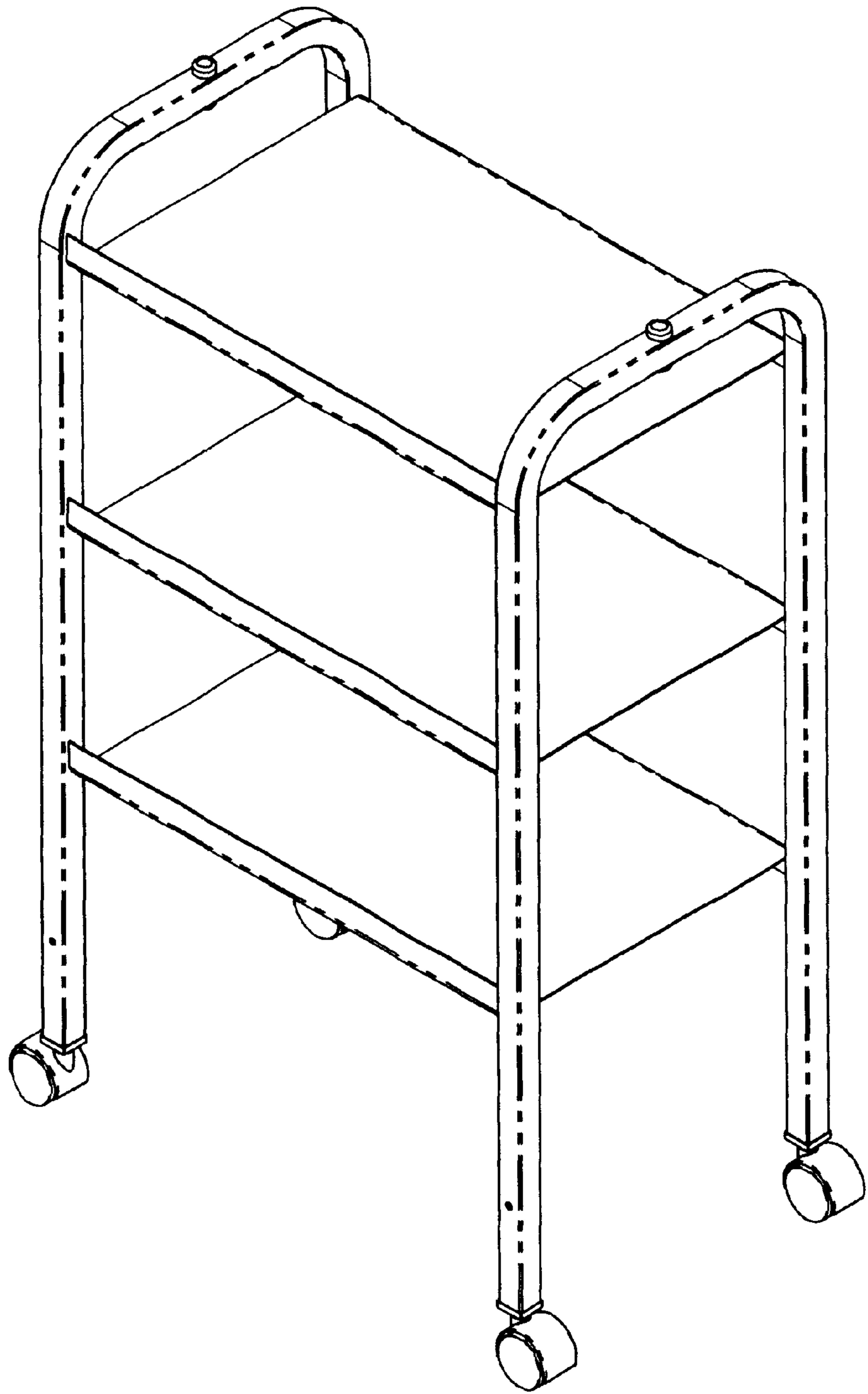


FIGURE 12

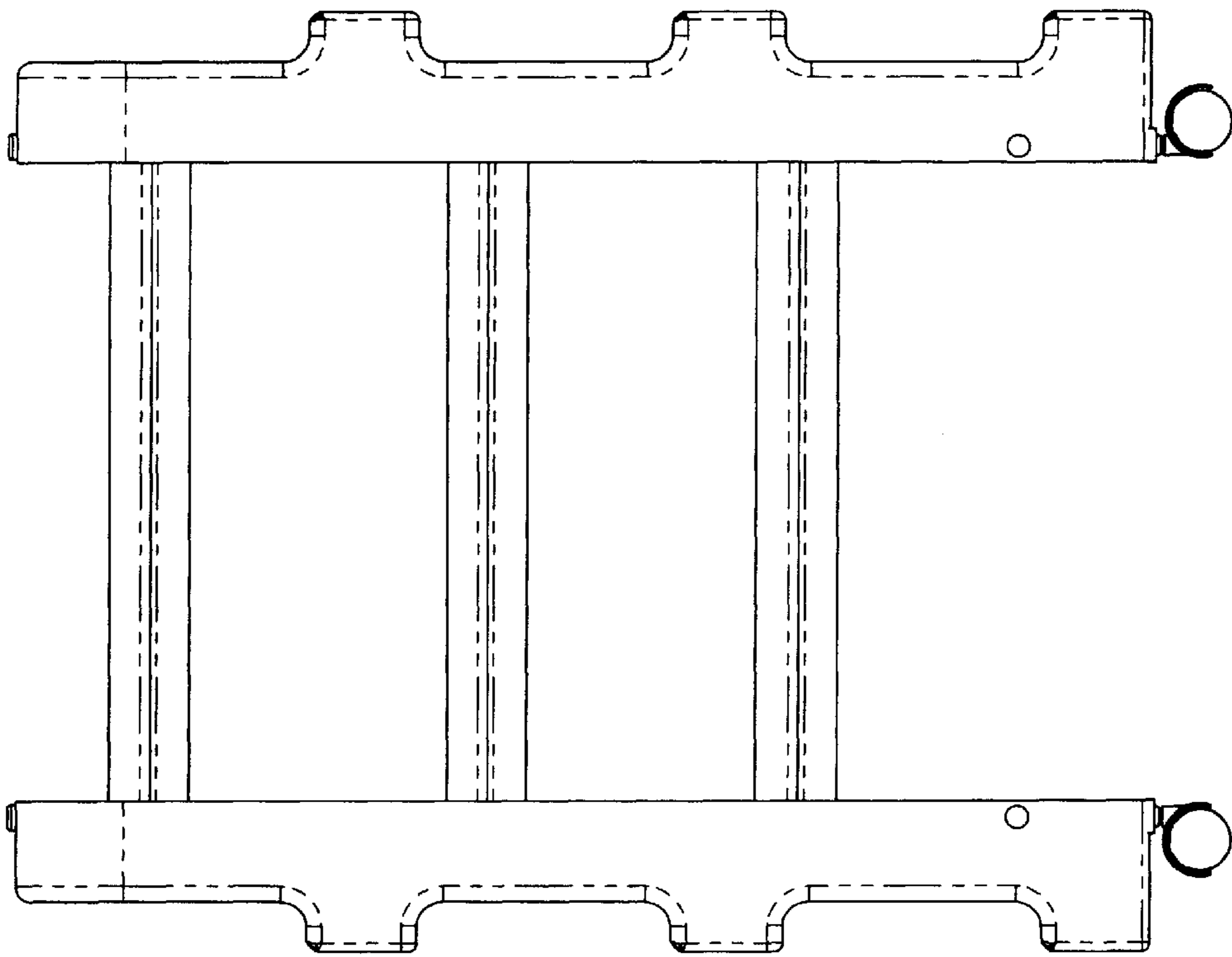


FIGURE 13

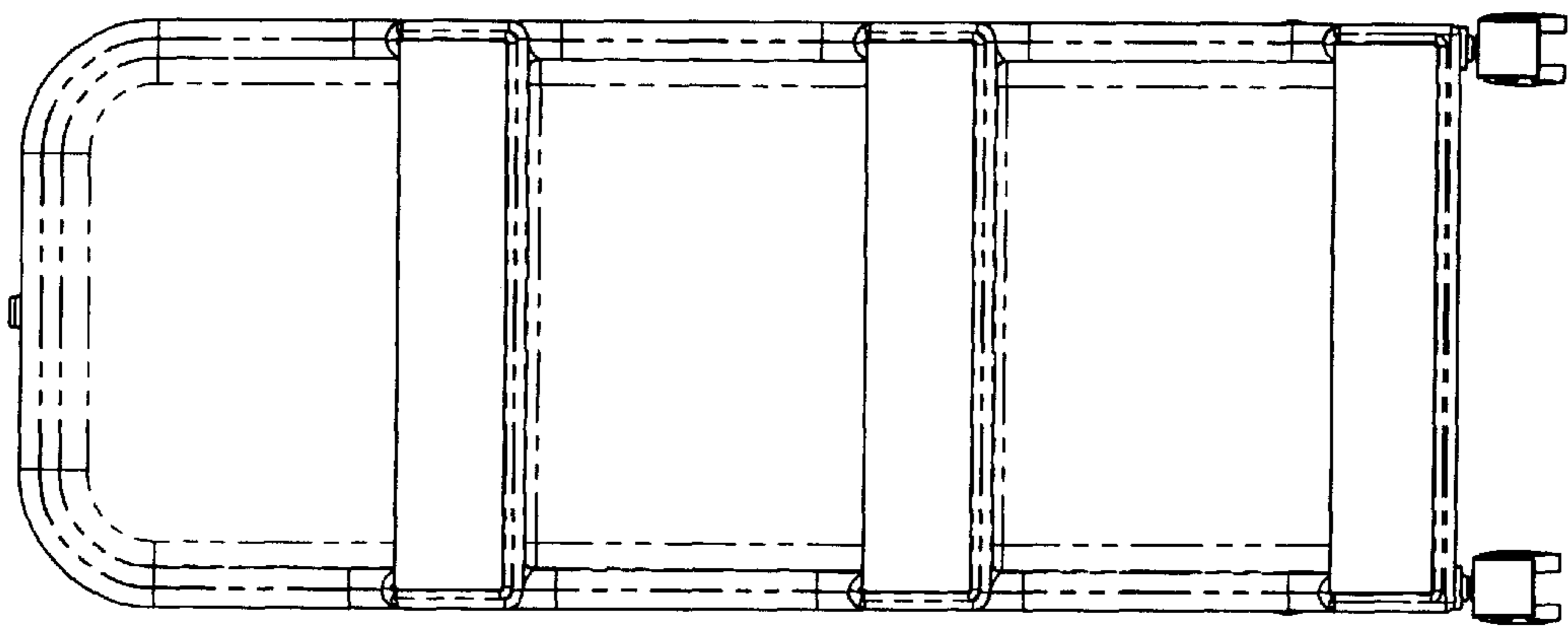


FIGURE 14

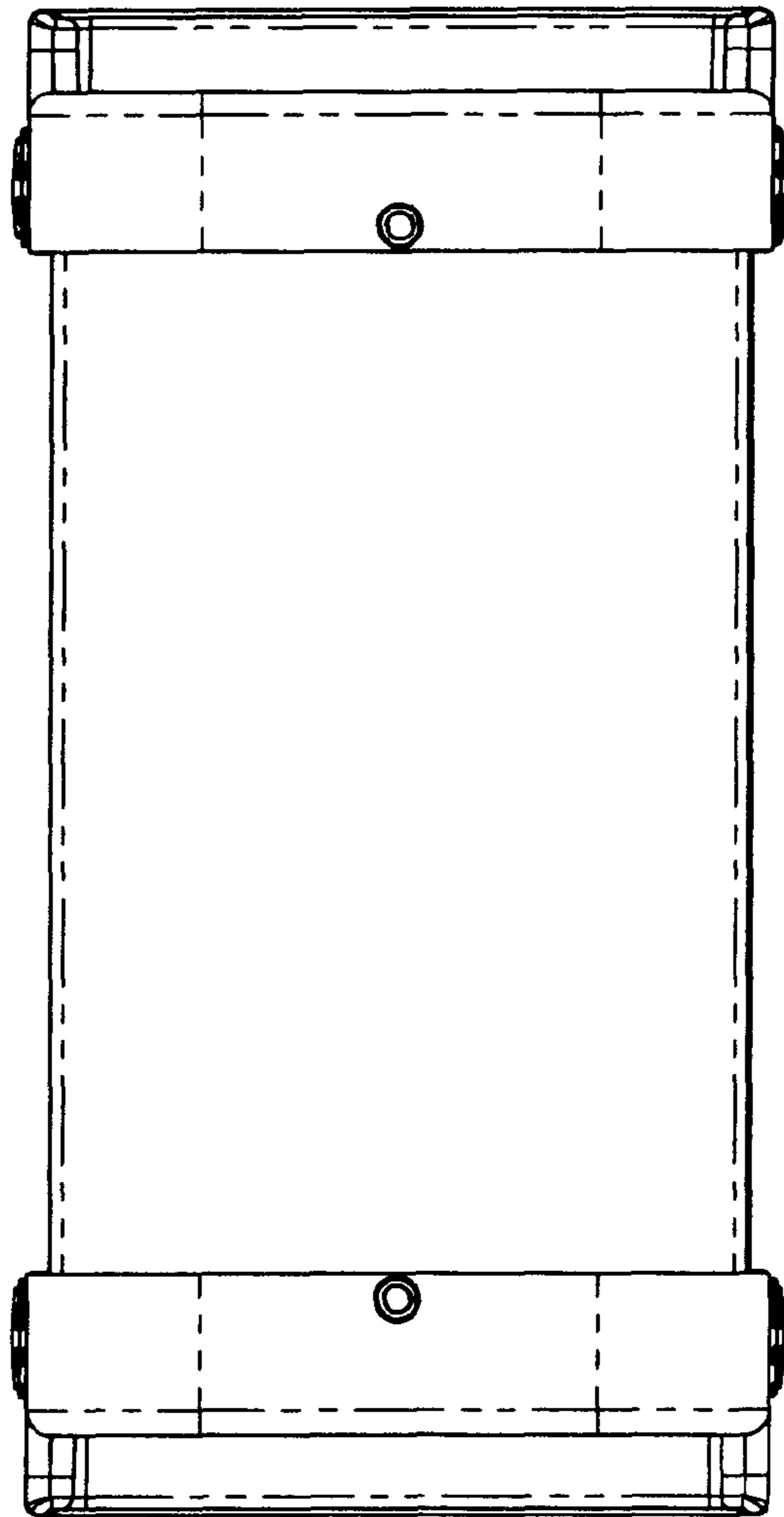


FIGURE 15

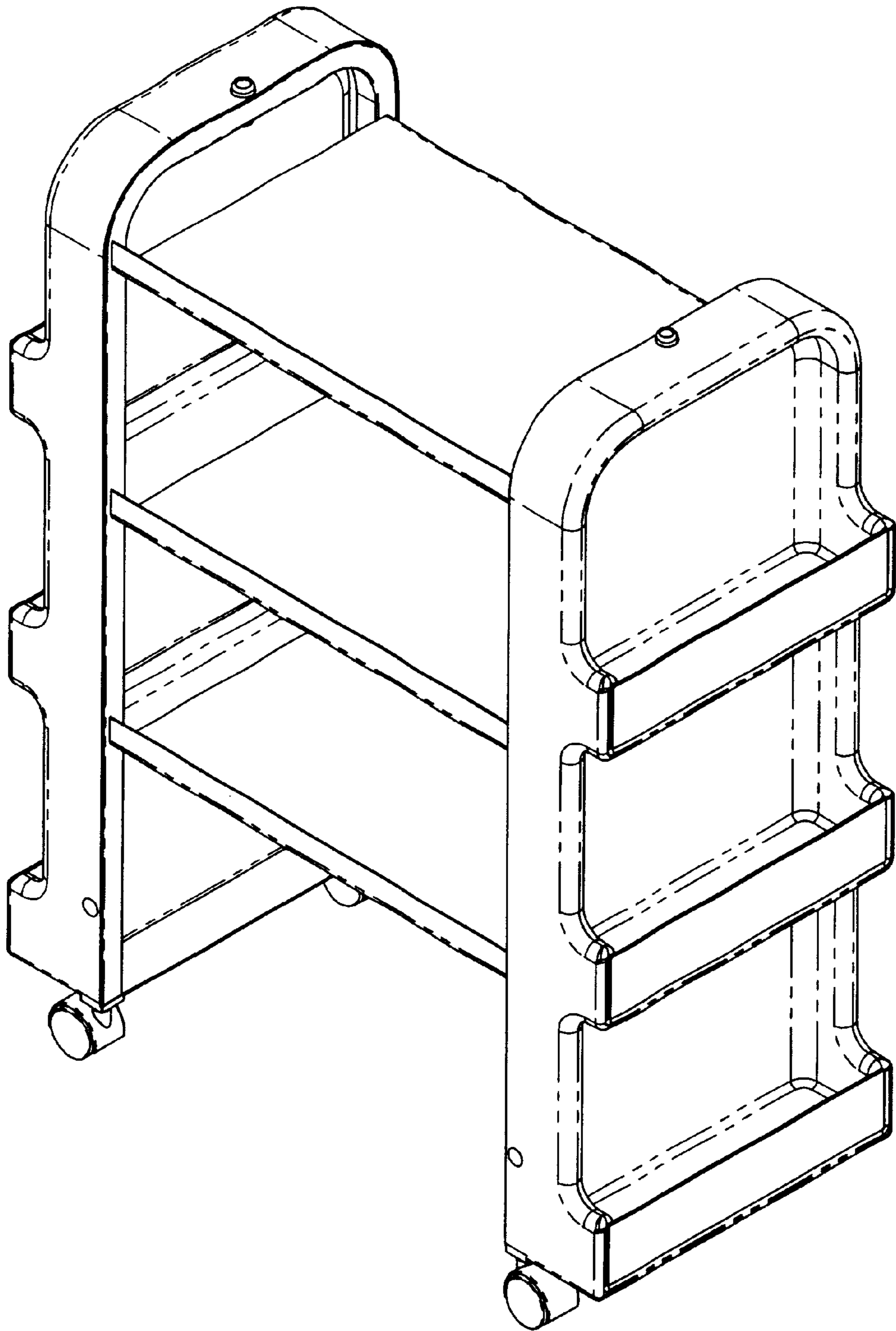


FIGURE 16