



US00D487604S

(12) **United States Design Patent**
Van Landingham, Jr.

(10) **Patent No.:** **US D487,604 S**

(45) **Date of Patent:** **** Mar. 16, 2004**

(54) **CART**

(75) **Inventor:** **Alfred Reneau Van Landingham, Jr.,**
Stephens City, VA (US)

(73) **Assignee:** **Rubbermaid Commercial Products**
LLC, Winchester, VA (US)

(**) **Term:** **14 Years**

(21) **Appl. No.:** **29/175,565**

(22) **Filed:** **Feb. 7, 2003**

(51) **LOC (7) Cl.** **12-02**

(52) **U.S. Cl.** **D34/12; D34/17**

(58) **Field of Search** **D34/12-27; D6/445,**
D6/446, 448; 280/641, 47.35, 79.3

(56) **References Cited**

U.S. PATENT DOCUMENTS

D275,044 S	*	8/1984	Hampshire et al.	D34/21
D323,915 S	*	2/1992	Welch	D34/21
D366,749 S	*	1/1996	Carlson et al.	D34/27
D374,323 S	*	10/1996	Carlson et al.	D34/27
D461,067 S	*	8/2002	Frank et al.	D6/446

OTHER PUBLICATIONS

Rubbermaid Commercial Products—Material Handling,
<http://www.rubbermaidcommercial.com/user/pages/products.jsp?subSubCatID=1943610107&subCatID=144>.

Rubbermaid Commercial Products—Material Handling,
<http://www.rubbermaidcommercial.com/user/pages/products.jsp?rcpno=4520>.

* cited by examiner

Primary Examiner—Kay H. Chin

(74) *Attorney, Agent, or Firm*—Foley & Lardner

(57) **CLAIM**

The ornamental design for a cart, as shown and described.

DESCRIPTION

FIG. 1 is a frontal perspective view of an embodiment of a cart according to my new design, the cart being shown with structure and internal detail in broken lines;

FIG. 2 is a left side elevation view of the cart shown in FIG. 1;

FIG. 3 is a right side elevation view of the cart shown in FIG. 1;

FIG. 4 is a front elevation view of the cart shown in FIG. 1;

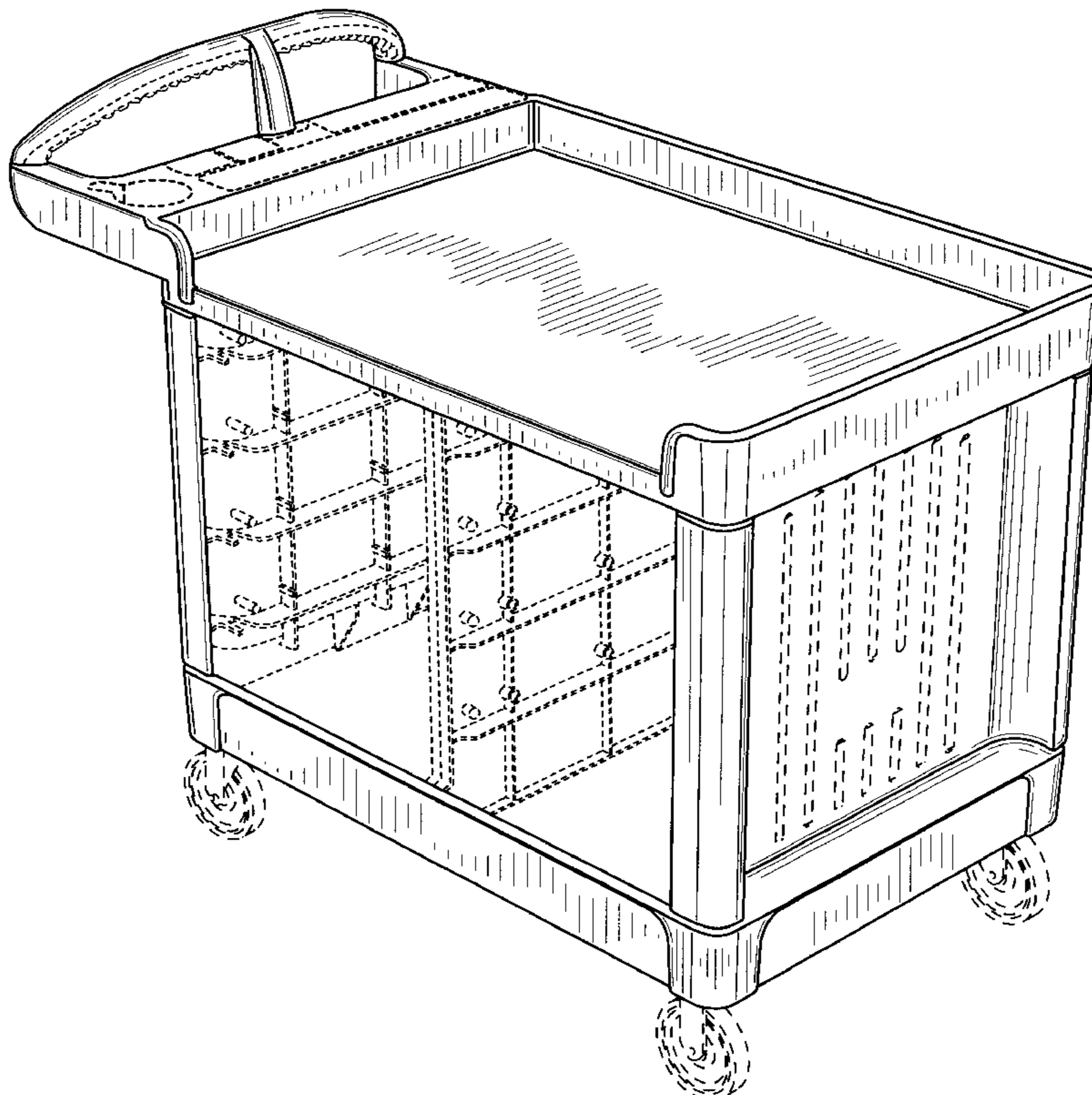
FIG. 5 is a rear elevation view of the cart shown in FIG. 1;

FIG. 6 is a top plan view of the cart shown in FIG. 1; and,

FIG. 7 is a bottom plan view of the cart shown in FIG. 1.

The ornamental design which is claimed is shown in solid lines in the drawings. Any broken lines in the drawings are for illustrative purposes only and form no part of the claimed design.

1 Claim, 7 Drawing Sheets



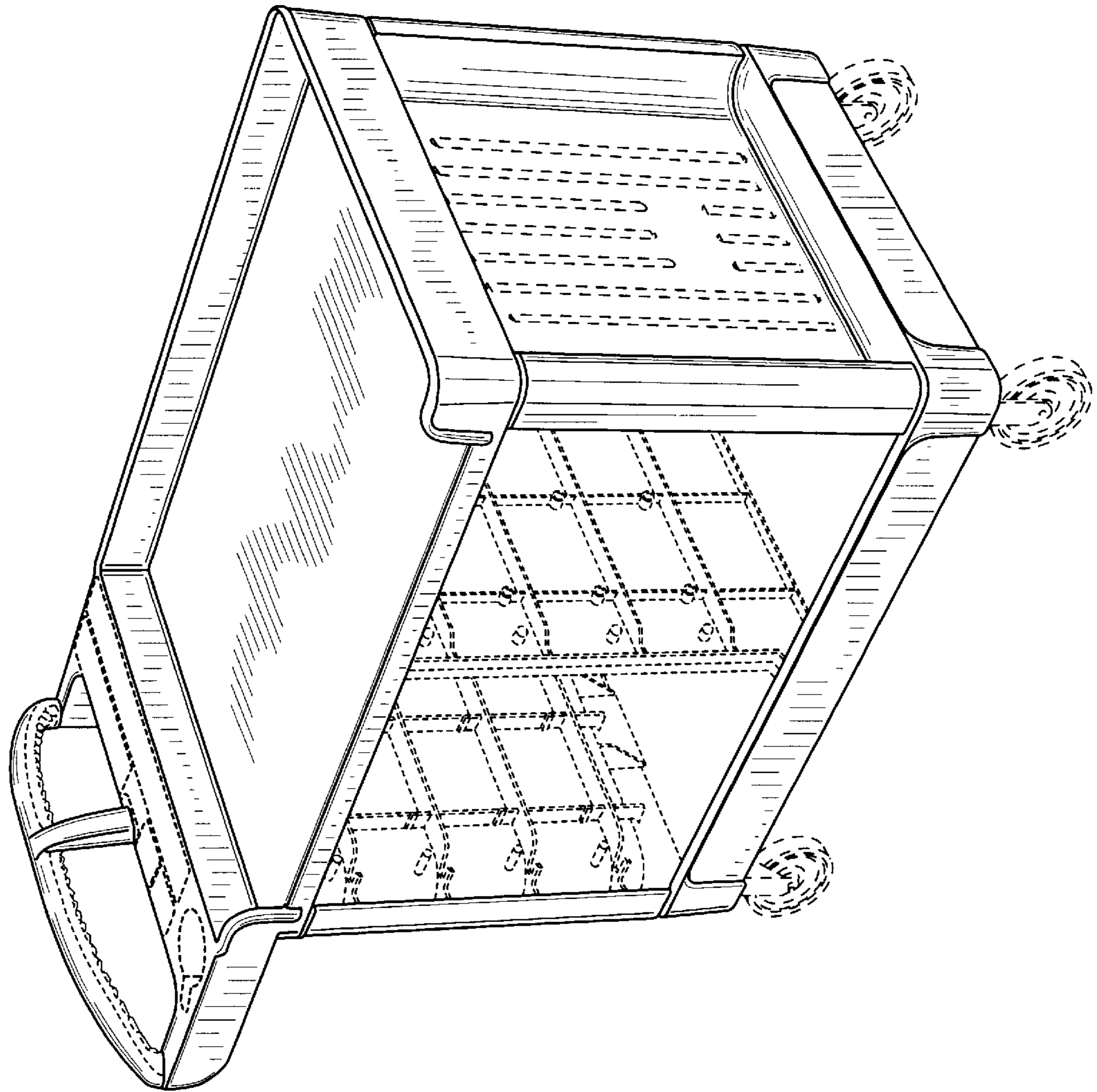


FIG. 1

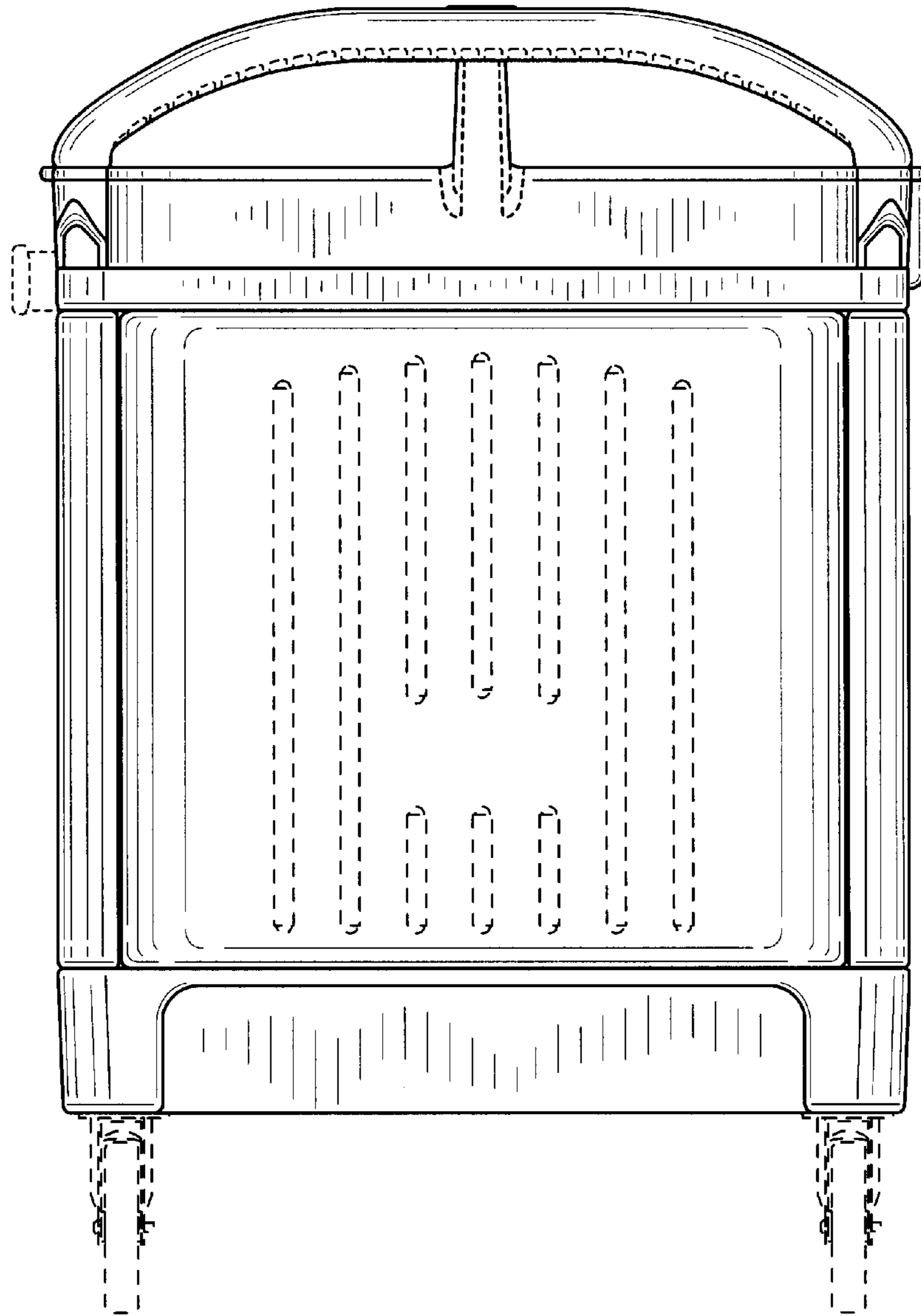


FIG. 2

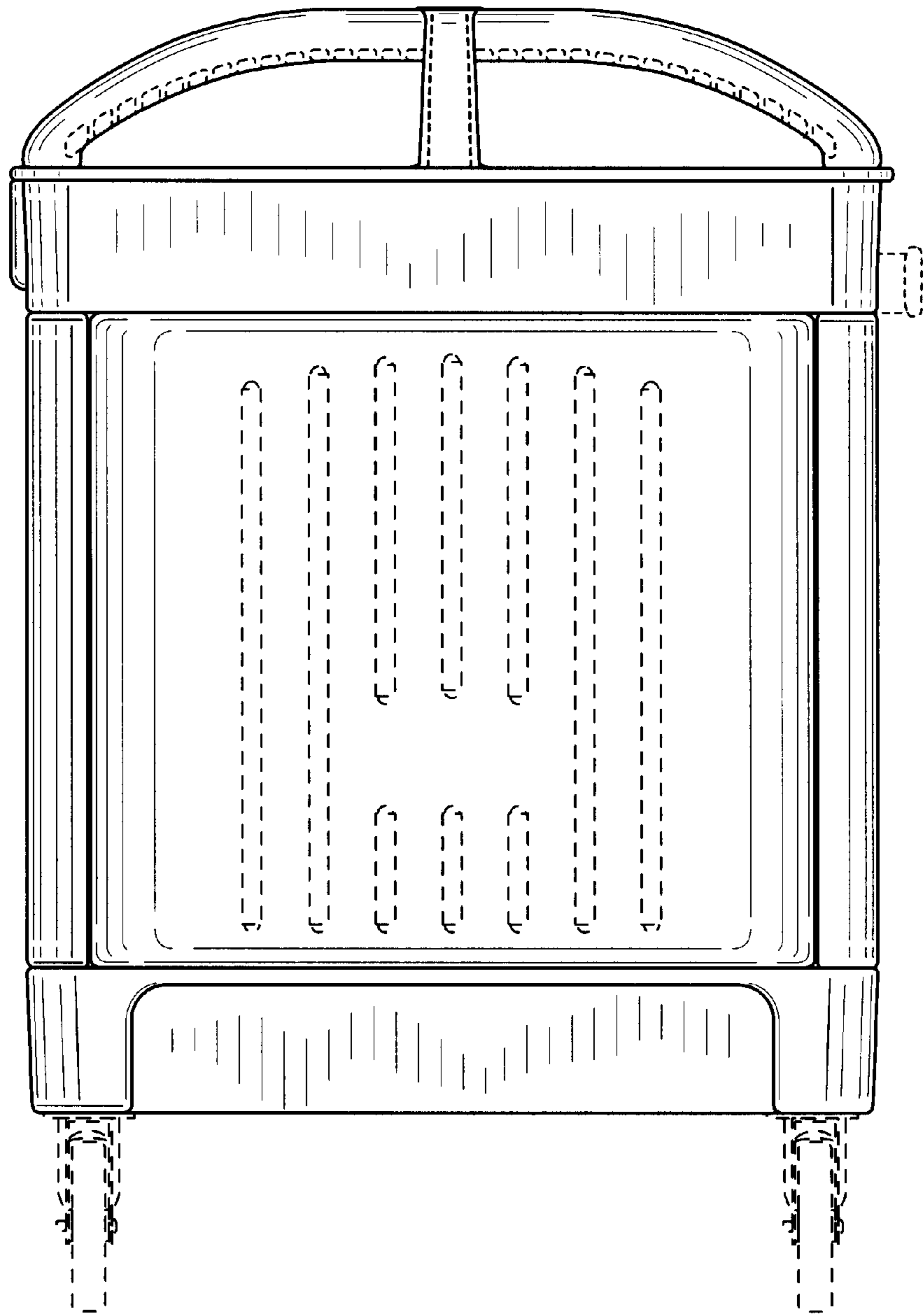


FIG. 3

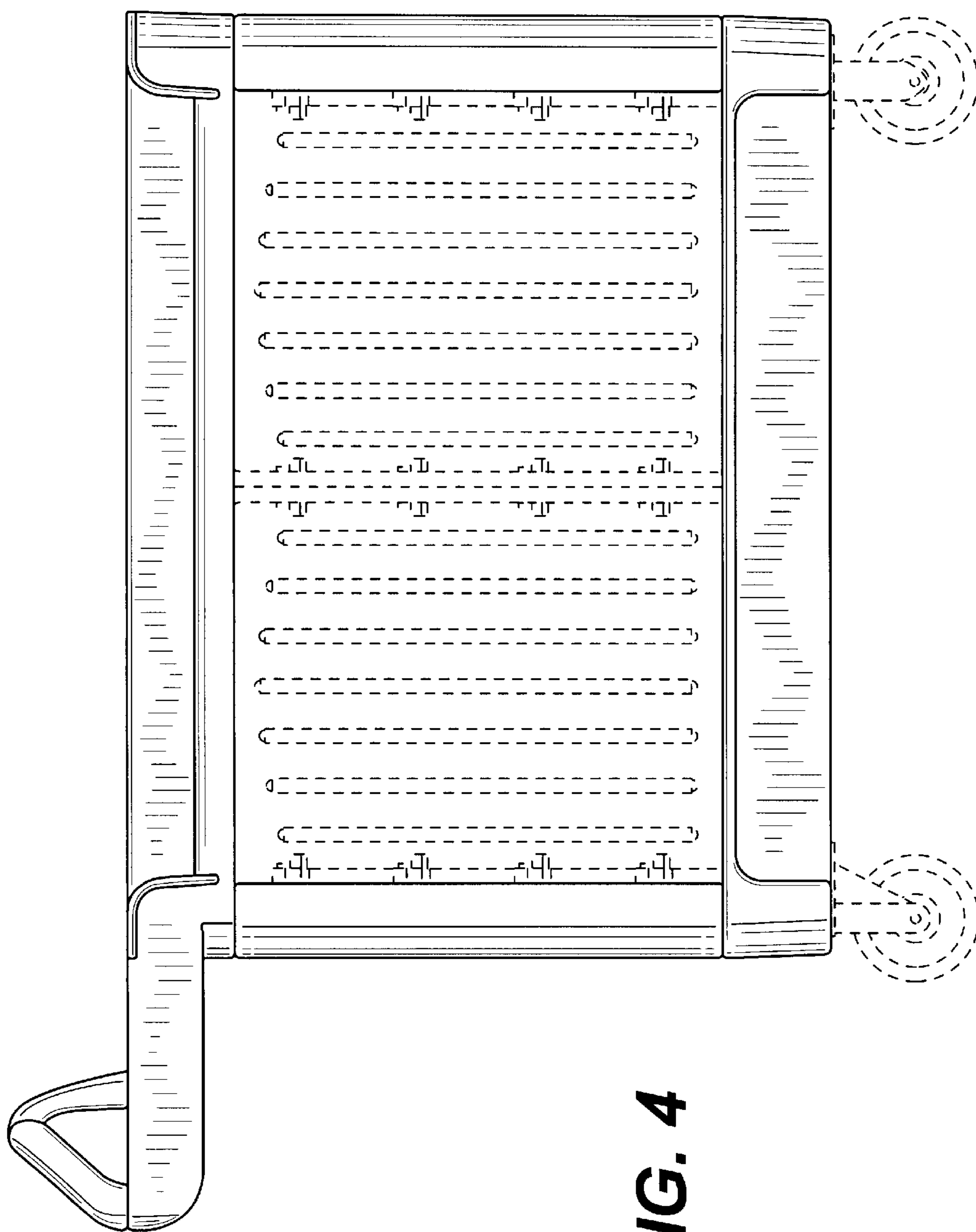


FIG. 4

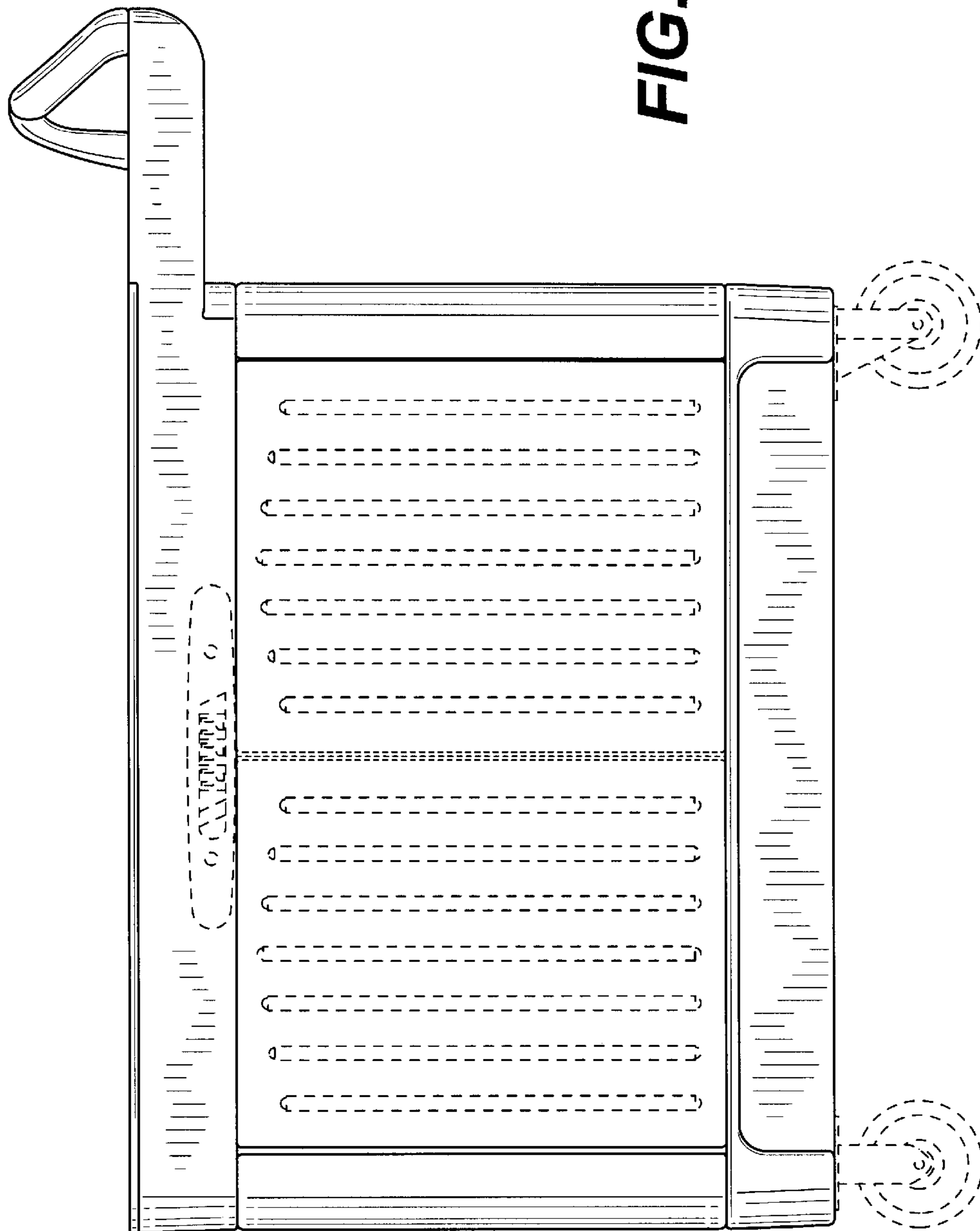


FIG. 5

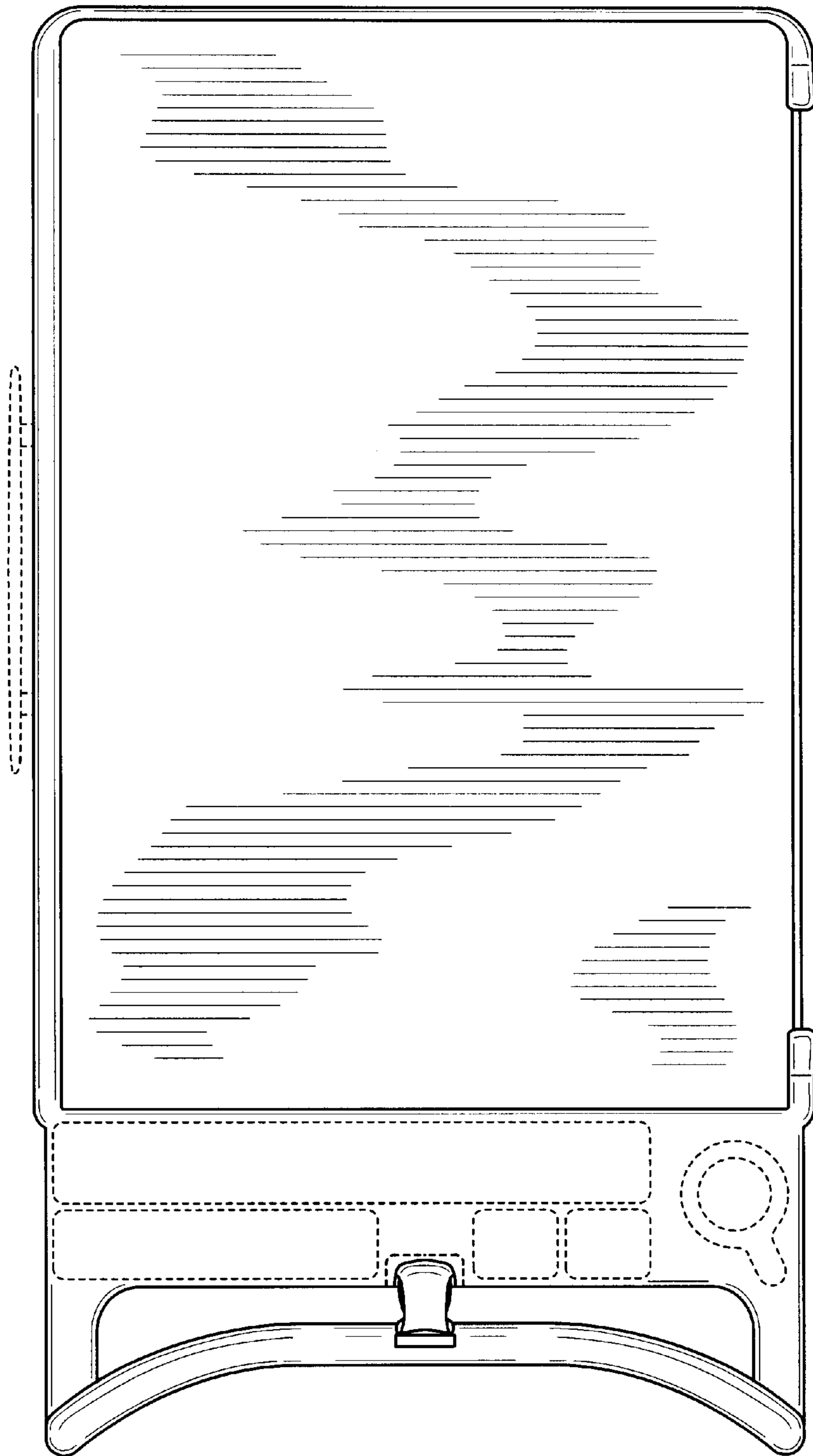


FIG. 6

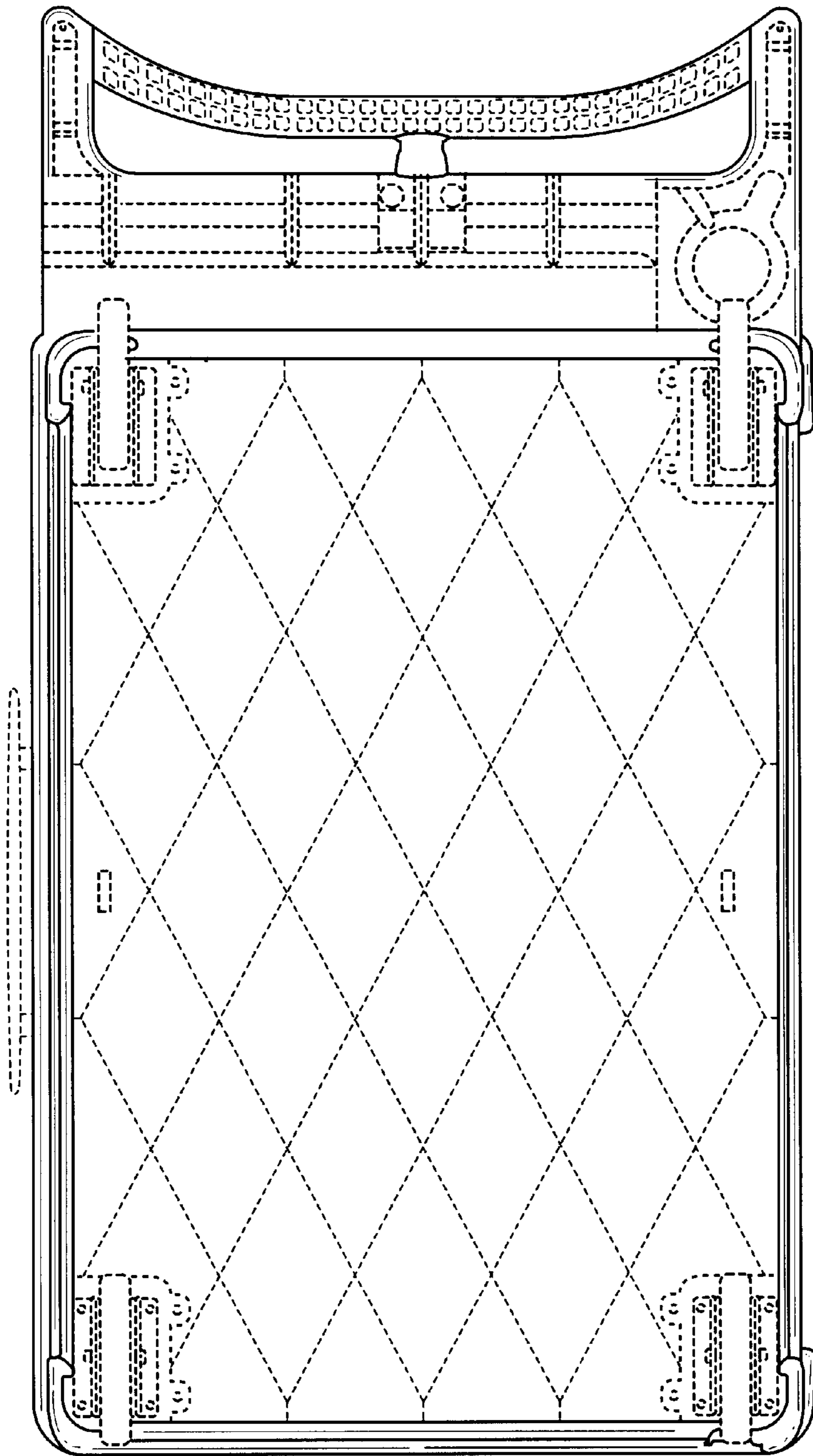


FIG. 7