



US00D487597S

(12) **United States Design Patent**
Leung et al.

(10) **Patent No.:** **US D487,597 S**
(45) **Date of Patent:** **** Mar. 16, 2004**

- (54) **LANTERN**
- (75) Inventors: **Ambrose Shing-Yin Leung**, Kwai Chung (HK); **Benson Chung-Pun Leung**, Kwai Chung (HK)
- (73) Assignee: **The Coleman Company, Inc.**, Wichita, KS (US)
- (**) Term: **14 Years**
- (21) Appl. No.: **29/181,528**
- (22) Filed: **May 12, 2003**
- (51) **LOC (7) Cl.** **26-02**
- (52) **U.S. Cl.** **D26/40**
- (58) **Field of Search** D26/37-50; 362/157, 362/158, 171, 172, 173, 183-208

- D296,010 S * 5/1988 Wan D26/40
- D310,729 S 9/1990 Stearns
- D429,021 S 8/2000 Israel
- D433,762 S * 11/2000 Yuen D26/40
- D443,088 S * 5/2001 Skidmore et al. D26/40

* cited by examiner

Primary Examiner—Marcus A. Jackson

(57) **CLAIM**

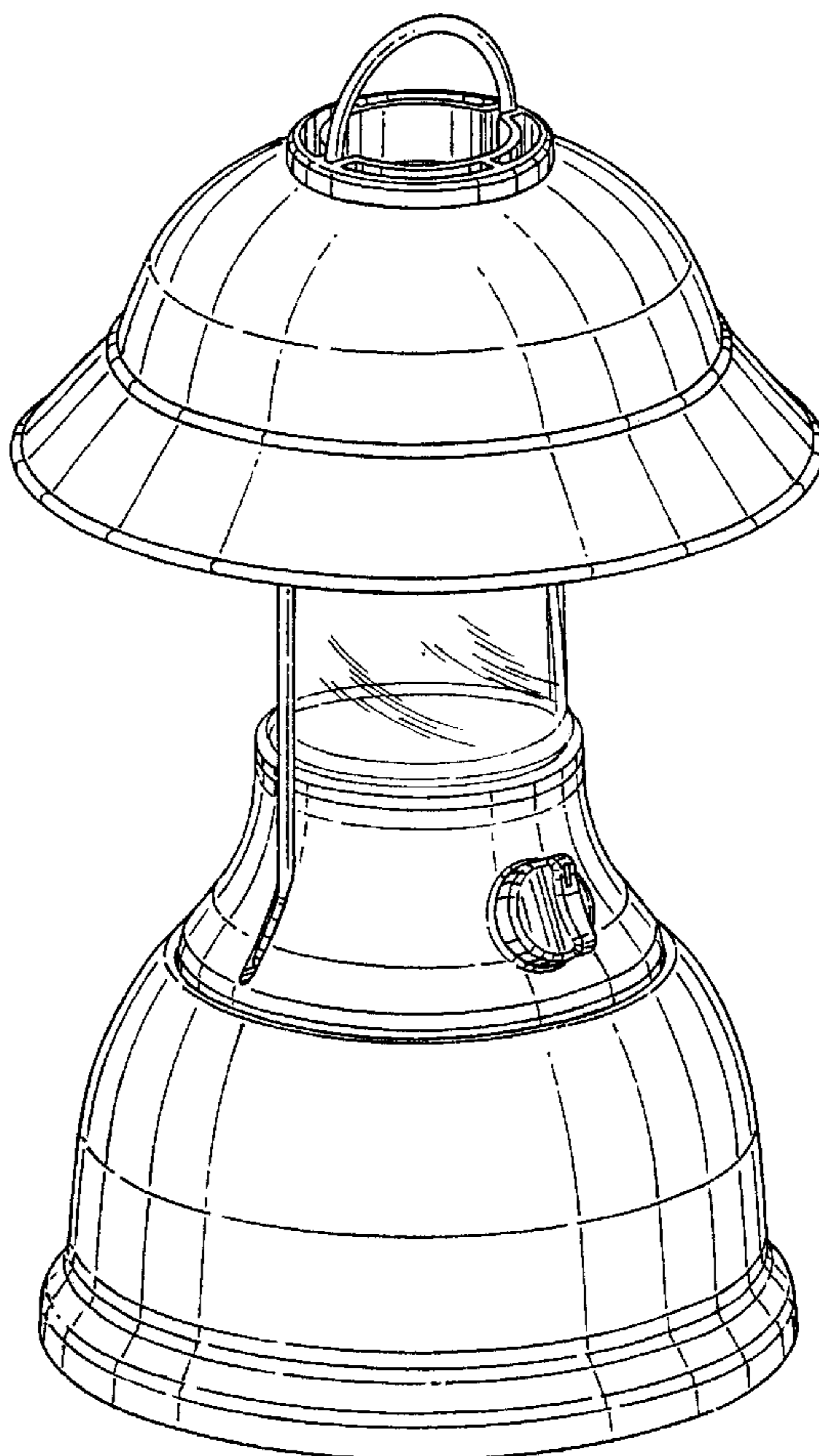
We claim the ornamental design for lantern, as shown and described.

DESCRIPTION

FIG. 1 is a perspective view of a lantern according to the new design.
 FIG. 2 is a front view of the lantern shown in FIG. 1.
 FIG. 3 is a side view of the lantern shown in FIG. 1.
 FIG. 4 is a rear view of the lantern shown in FIG. 1.
 FIG. 5 is a top view of the lantern shown in FIG. 1; and,
 FIG. 6 is a bottom view of the lantern shown in FIG. 1.
 Features shown in broken lines in the drawings are not part of the claim.

- (56) **References Cited**
- U.S. PATENT DOCUMENTS**
- D50,335 S 2/1917 Barrows et al.
- D76,347 S 9/1928 Kanne
- D237,534 S 11/1975 Jacobsen et al.
- D268,055 S 2/1983 Moore

1 Claim, 3 Drawing Sheets



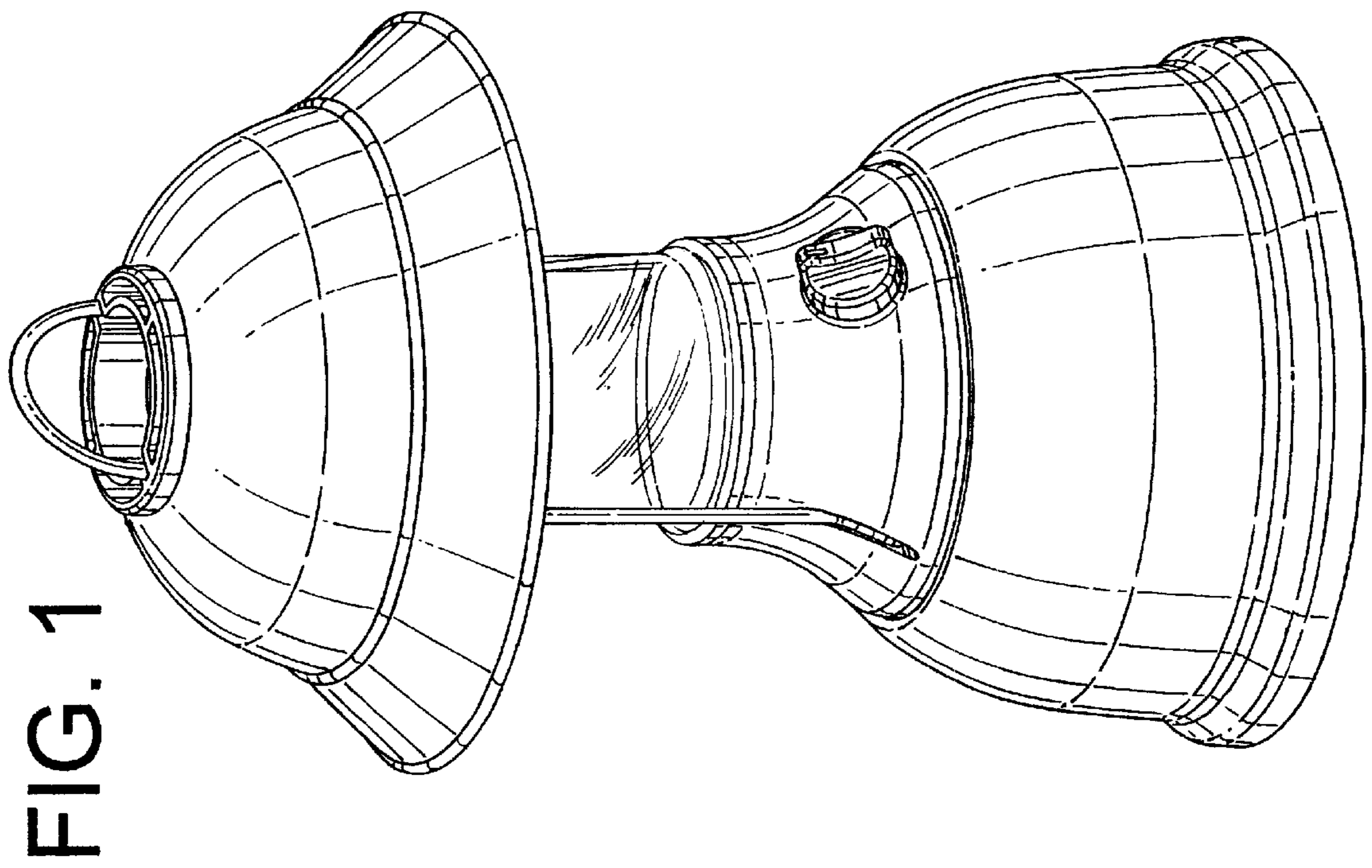


FIG. 2

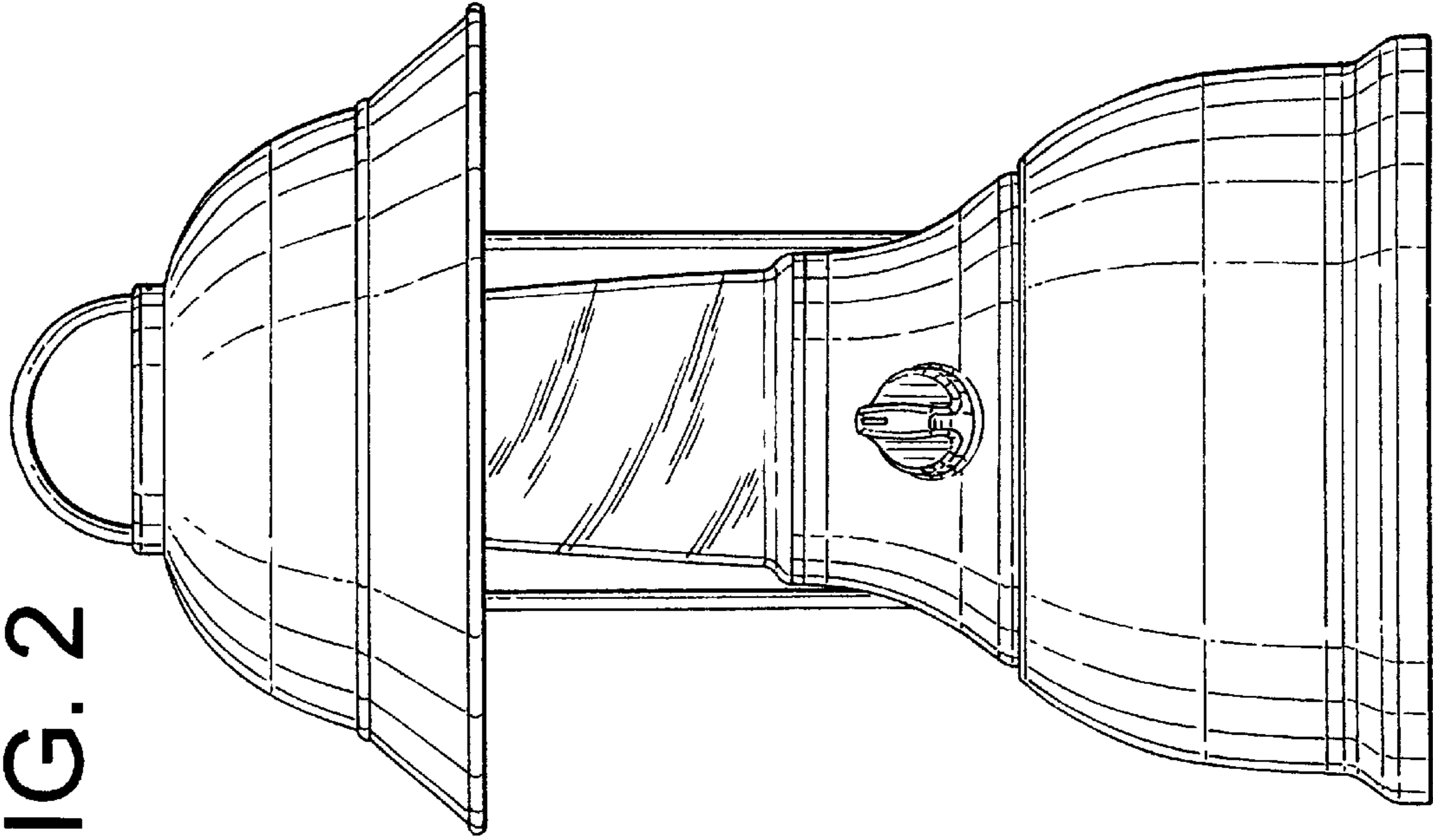


FIG. 4

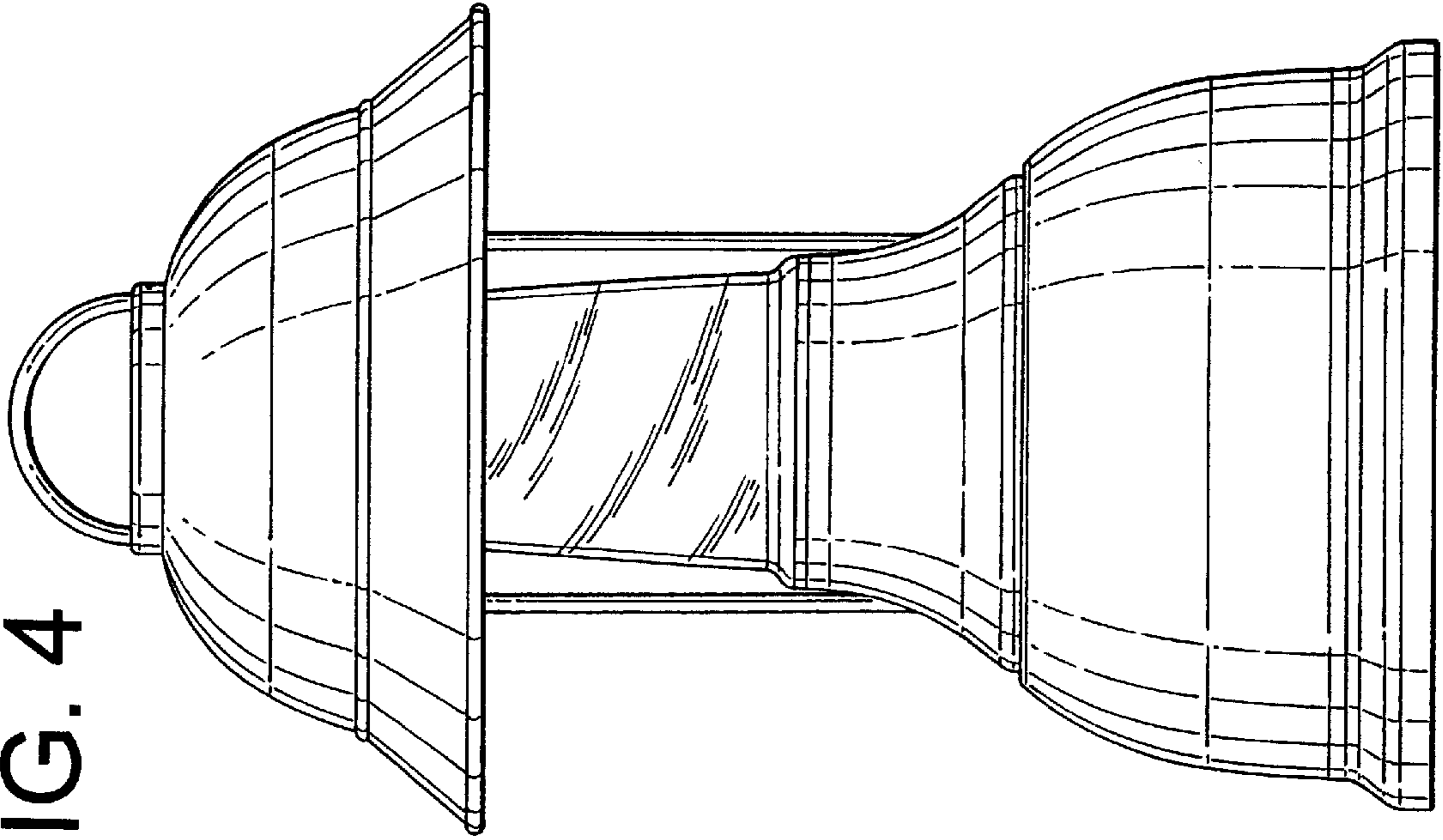


FIG. 3

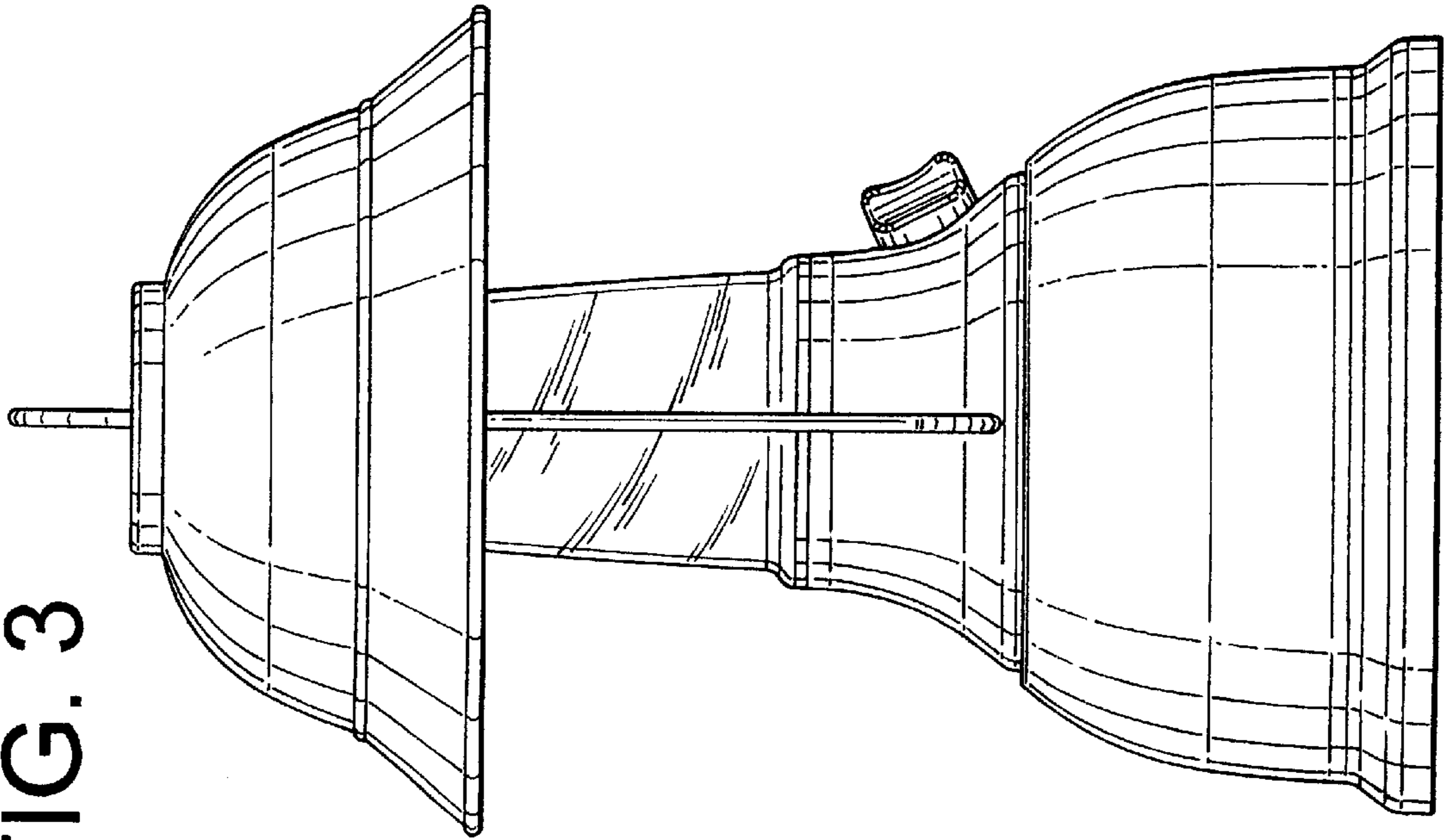


FIG. 6

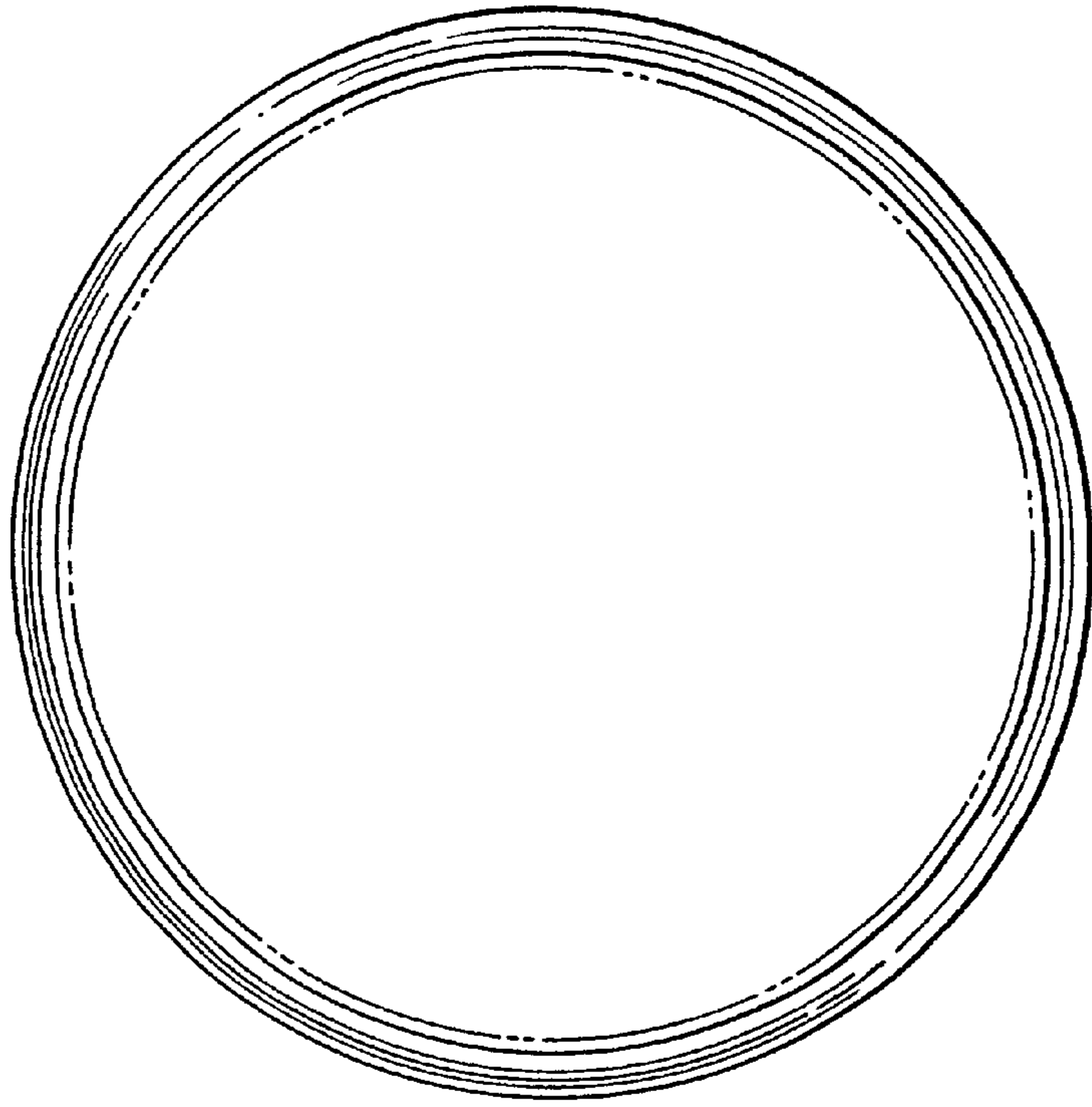


FIG. 5

