



US00D487589S

(12) **United States Design Patent**
Zaragoza

(10) **Patent No.:** **US D487,589 S**

(45) **Date of Patent:** **** *Mar. 16, 2004**

(54) **ORNAMENTAL TOP FOR SCENT DISPERSER**

D353,215 S * 12/1994 Koch, Jr. D26/23
D419,716 S * 1/2000 Parrochia D26/118
D454,629 S * 3/2002 Zaragoza D23/367

(75) Inventor: **Robert Zaragoza**, Woodmere, NY (US)

* cited by examiner

(73) Assignee: **ZaragozaZaragoza, Inc.**, New York, NY (US)

Primary Examiner—Paula A. Mortimer

(74) *Attorney, Agent, or Firm*—Bazerman & Drangel PC

(*) Notice: This patent is subject to a terminal disclaimer.

(57) **CLAIM**

The ornamental design for ornamental top for scent disperser, as shown and described.

(**) Term: **14 Years**

DESCRIPTION

(21) Appl. No.: **29/156,081**

FIG. 1 is a perspective view of the ornamental top for scent disperser showing my new design;

(22) Filed: **Feb. 22, 2002**

FIG. 2 is a top view of the embodiment shown in FIG. 1; FIG. 3 is a bottom view of the embodiment shown in FIG. 1;

(51) **LOC (7) Cl.** **23-04**

(52) **U.S. Cl.** **D23/367; D9/300**

(58) **Field of Search** D23/366, 367, D23/213; 239/55, 56, 57, 58, 59; D26/118, 119, 23; 362/341, 344, 345, 346; D9/300, 520

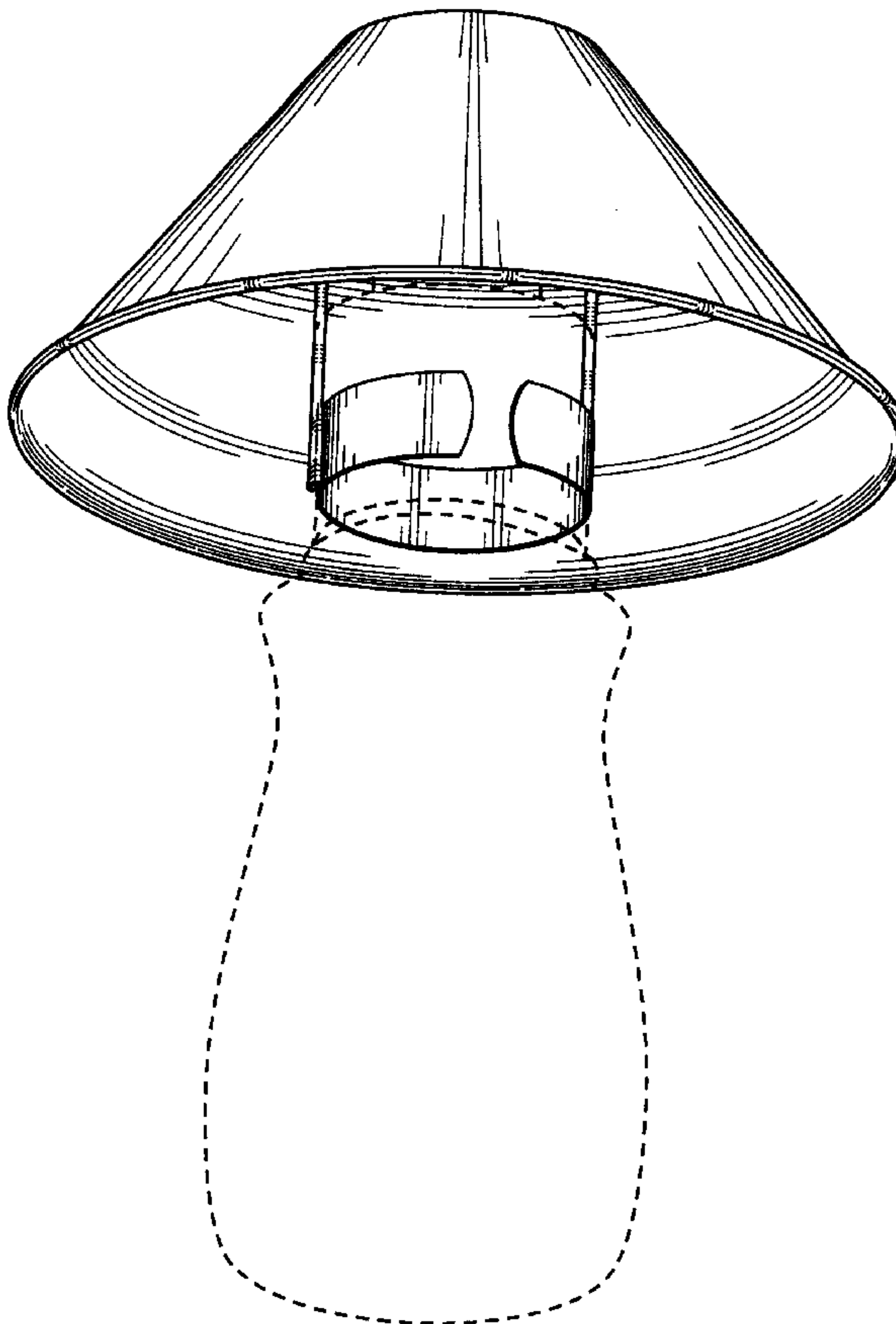
FIG. 4 is a rear view of the embodiment shown in FIG. 1; FIG. 5 is a left side view of the embodiment shown in FIG. 1, the right side view being identical to that shown; and, FIG. 6 is a front view of the embodiment shown in FIG. 1. The broken line showing of environmental structure in FIGS. 1 and 3–6 is for illustrative purposes only and forms no part of the claimed design.

(56) **References Cited**

U.S. PATENT DOCUMENTS

D286,675 S * 11/1986 Hoyt D23/366

1 Claim, 5 Drawing Sheets



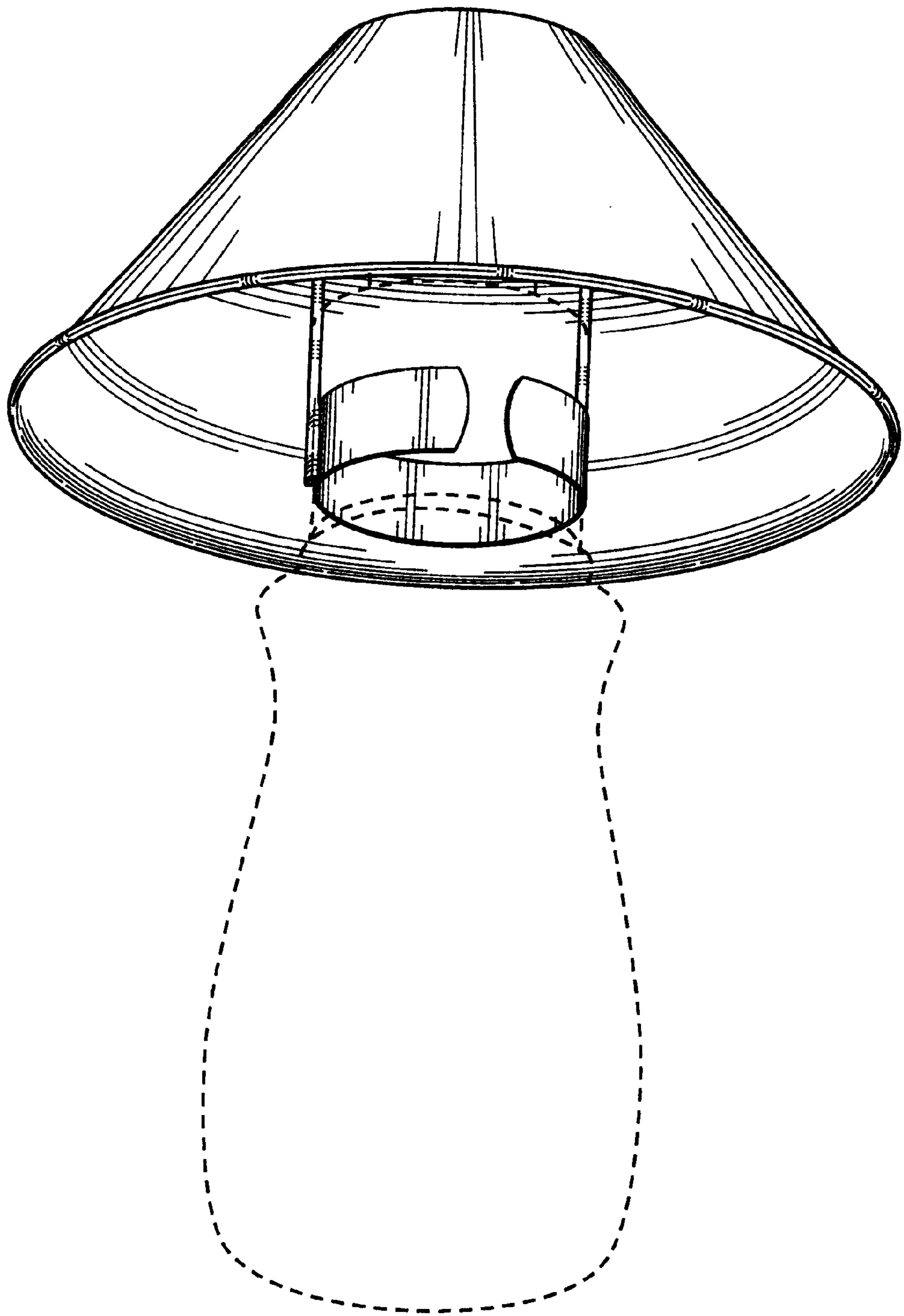


FIG. 1

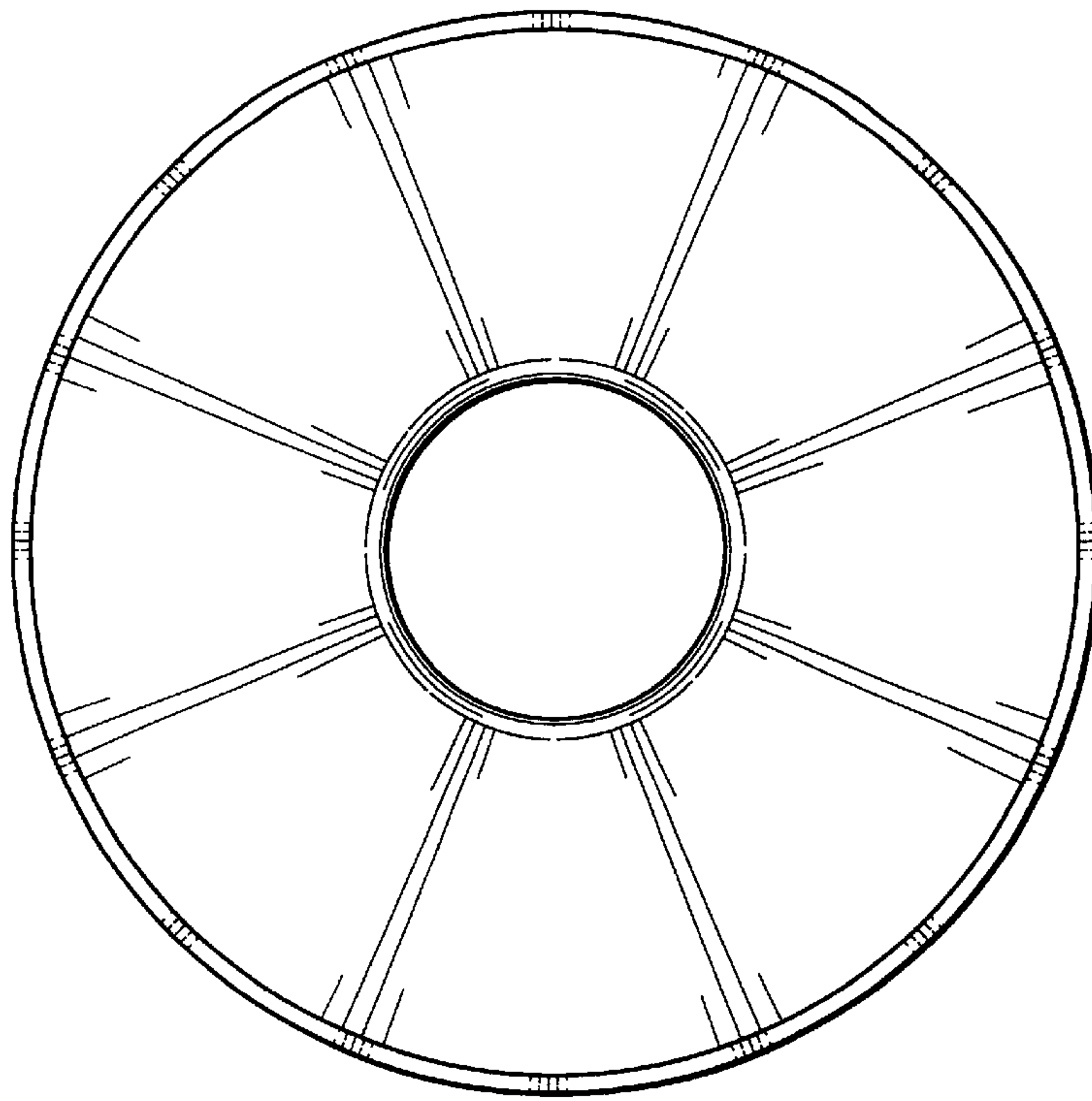


FIG. 2

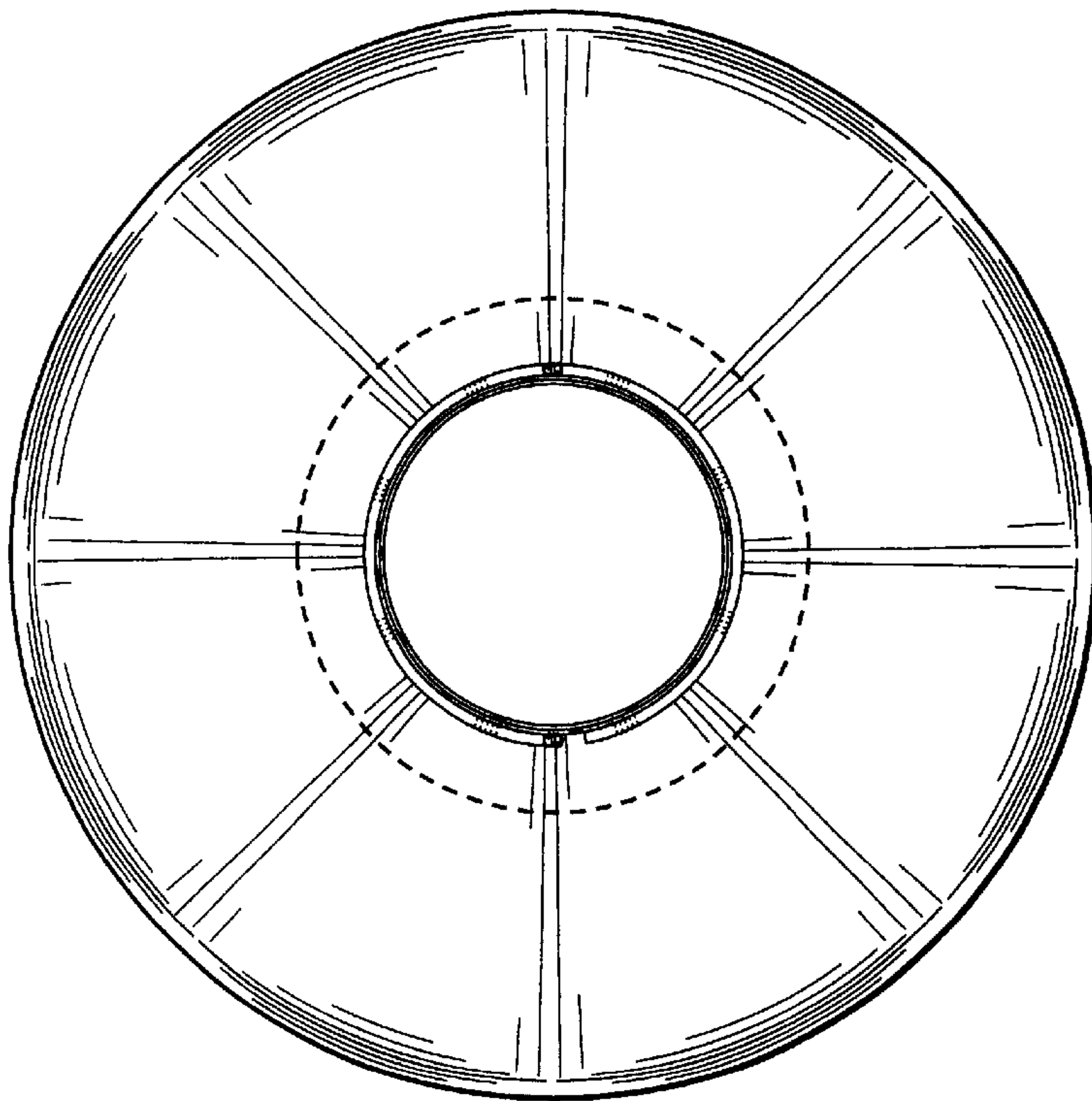


FIG. 3

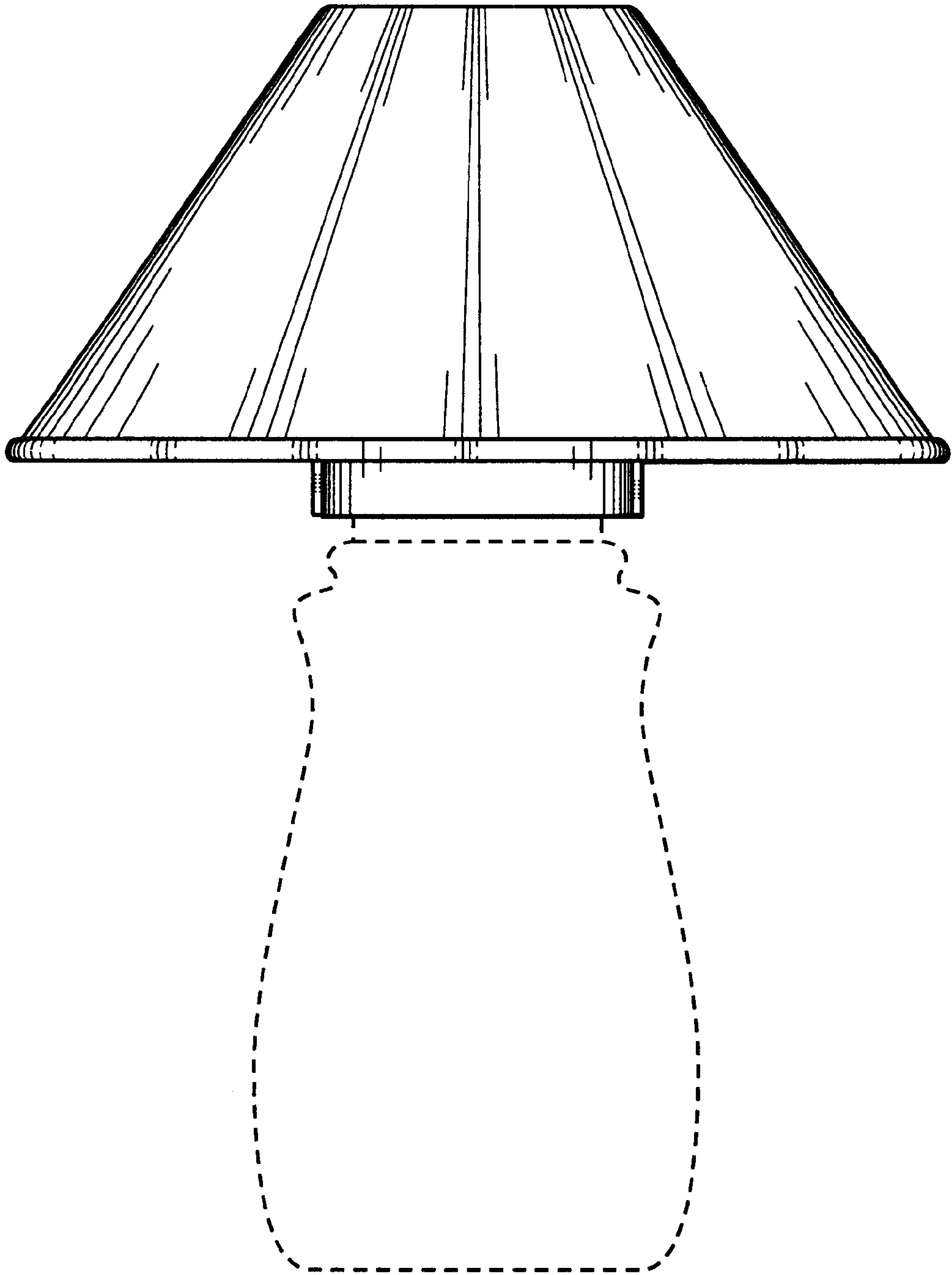


FIG. 4

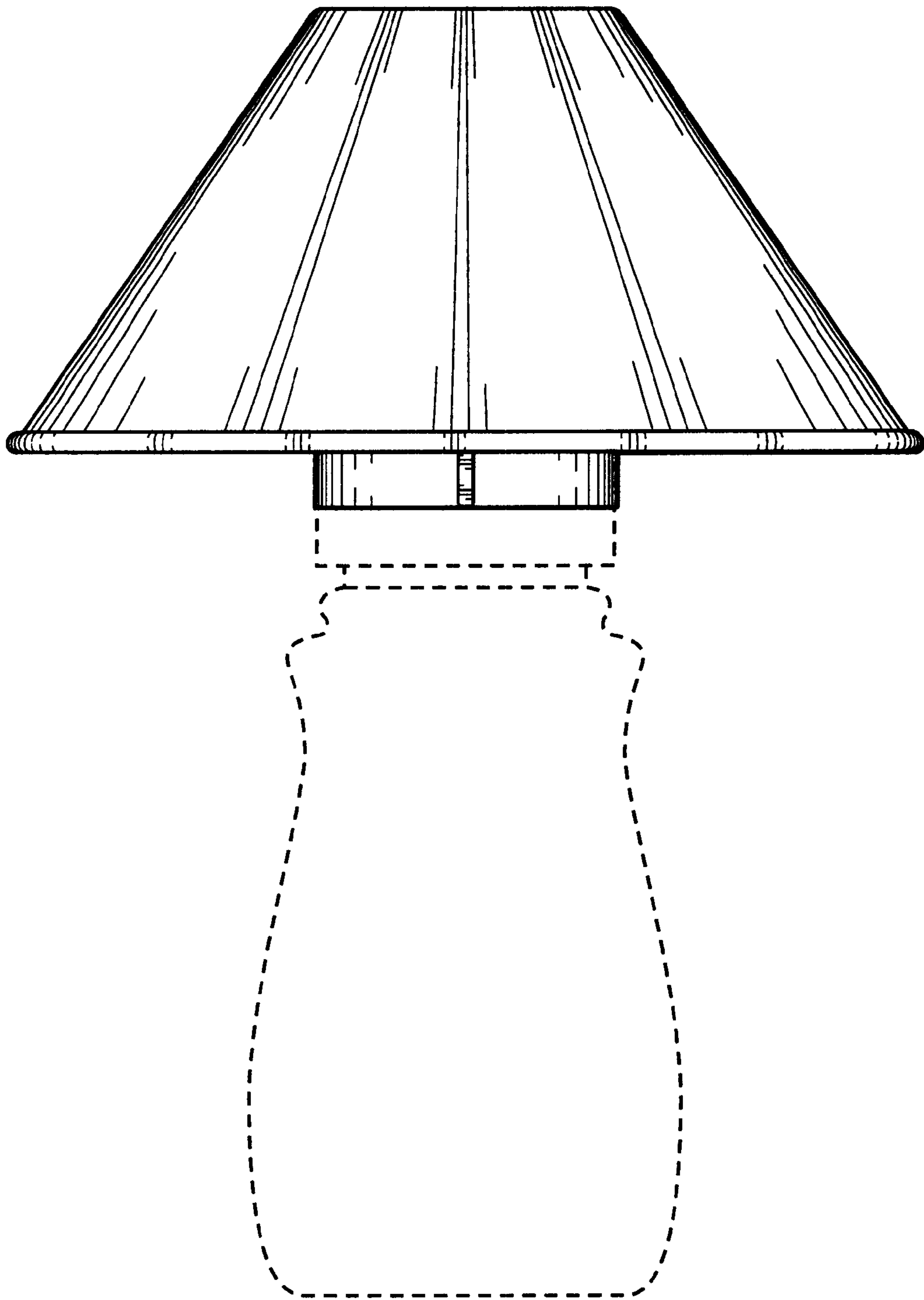


FIG. 5

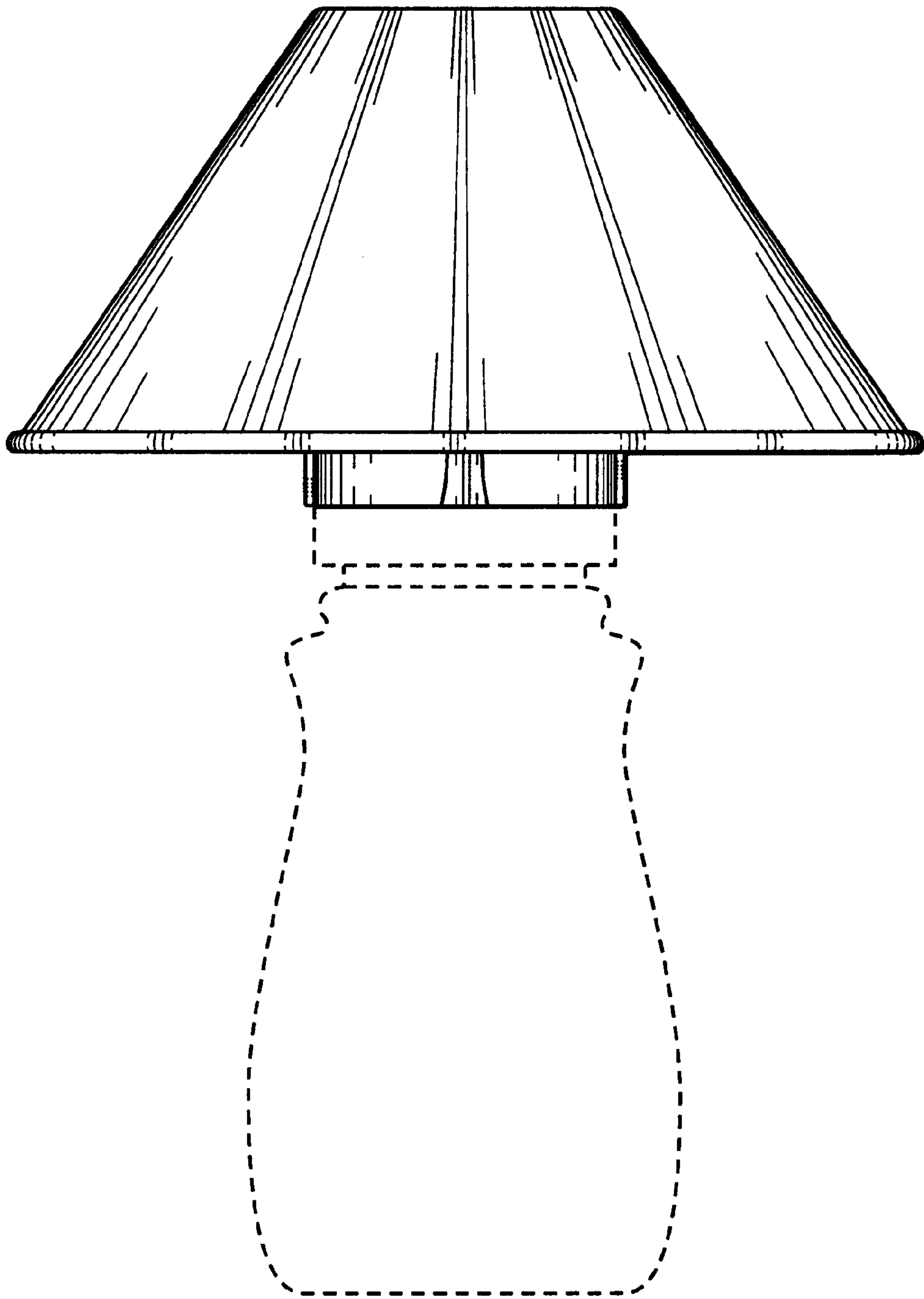


FIG. 6