



US00D487588S

(12) **United States Design Patent**
Millán

(10) **Patent No.:** **US D487,588 S**
(45) **Date of Patent:** **** Mar. 16, 2004**

(54) **ELECTRICAL AIR FRESHENER**

DESCRIPTION

(75) Inventor: **Jordi Basagañas Millán**, Barcelona (ES)

FIG. 1 is a perspective view of an electrical air freshener showing my new design;

(73) Assignee: **DBK Espana, S.A.**, Barcelona (ES)

FIG. 2 is a perspective view taken from a left frontal side thereof;

(**) Term: **14 Years**

FIG. 3 is a left side elevation view thereof;

(21) Appl. No.: **29/160,644**

FIG. 4 is a right side elevation view thereof;

(22) Filed: **May 14, 2002**

FIG. 5 is a top plan view of the container portion of the electrical air freshener shown separately for clarify of illustration;

(30) **Foreign Application Priority Data**

FIG. 6 is a front elevation view of the container portion of the electrical air freshener shown separately for clarify of illustration;

Nov. 14, 2001 (ES) 152763

FIG. 7 is a bottom plan view of the container portion of the electrical air freshener shown separately for clarify of illustration;

(51) **LOC (7) Cl.** **23-04**

FIG. 8 is a rear elevation view of the container portion of the electrical air freshener shown separately for clarify of illustration;

(52) **U.S. Cl.** **D23/366**

(58) **Field of Search** D23/366-369;
239/53, 55, 58-60; 422/123

FIG. 9 is a left side elevation view of the container portion of the electrical air freshener shown separately for clarify of illustration, the right side elevation view being a mirror image of that shown;

(56) **References Cited**

U.S. PATENT DOCUMENTS

D307,180 S	*	4/1990	Luthy	D23/366
D403,419 S	*	12/1998	Davis	D23/366
D432,222 S	*	10/2000	Rymer et al.	D23/366
D433,113 S	*	10/2000	Cole	D23/366
D433,744 S	*	11/2000	Basaganas	D23/366
D461,885 S	*	8/2002	Jordi	D23/366

FIG. 10 is a rear elevation view of the body portion of the electrical air freshener shown separately for clarity of illustration;

* cited by examiner

FIG. 11 is a left side elevation view of the body portion of the electrical air freshener shown separately for clarify of illustration, the right side elevation view being a mirror image of that shown;

Primary Examiner—Lisa Lichtenstein

(74) *Attorney, Agent, or Firm*—Karren Muchin Zavis Rosenman

FIG. 12 is a top plan view of the electrical air freshener and of the body portion of the electrical air freshener shown separately for clarify of illustration;

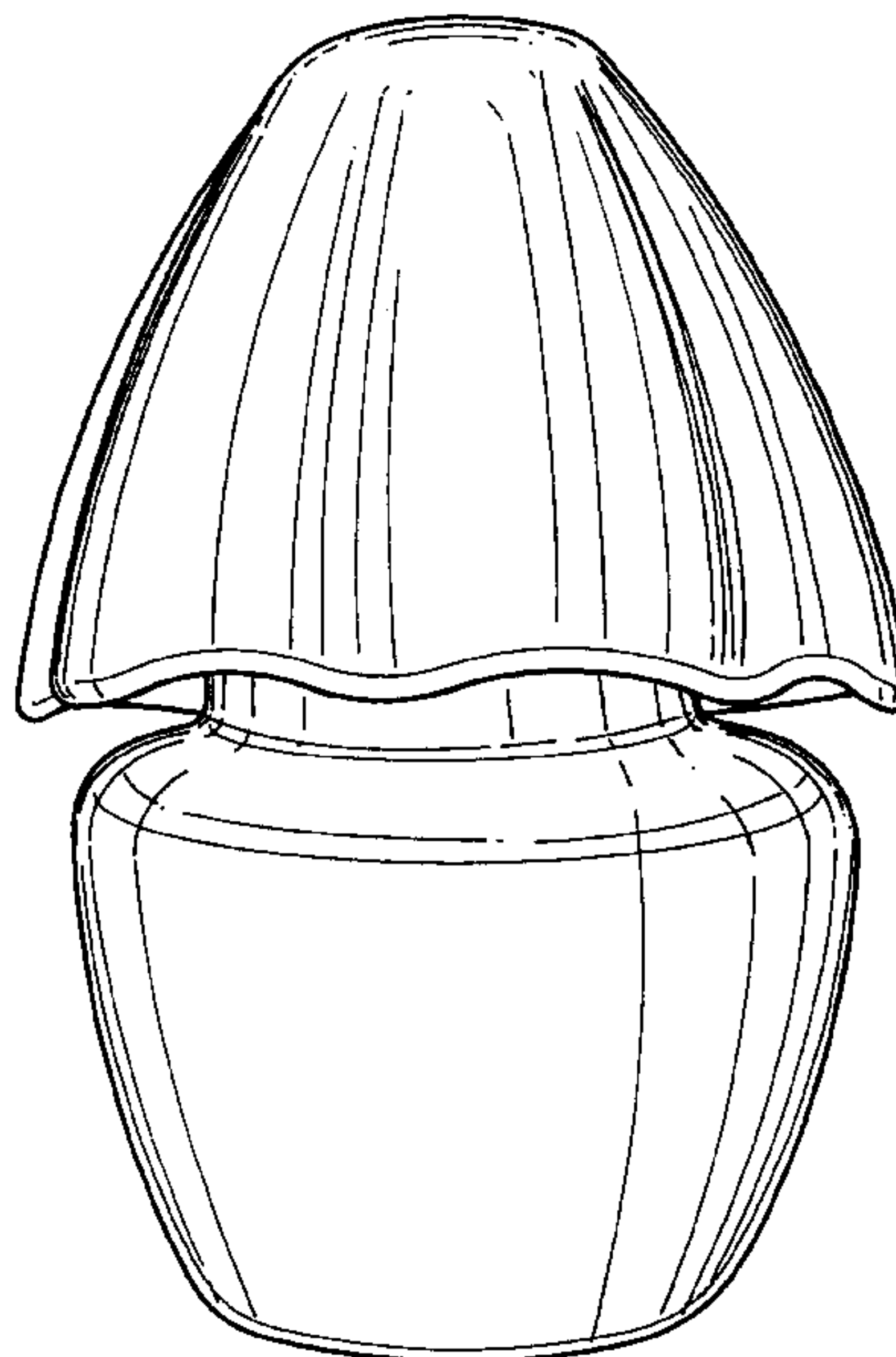
(57) **CLAIM**

The ornamental design for an electrical air freshener, as shown and described.

FIG. 13 is a bottom plan view of the body portion of the electrical air freshener shown separately for clarify of illustration; and,

FIG. 14 is a front elevation view of the body portion of the electrical air freshener shown separately for clarify of illustration.

1 Claim, 14 Drawing Sheets



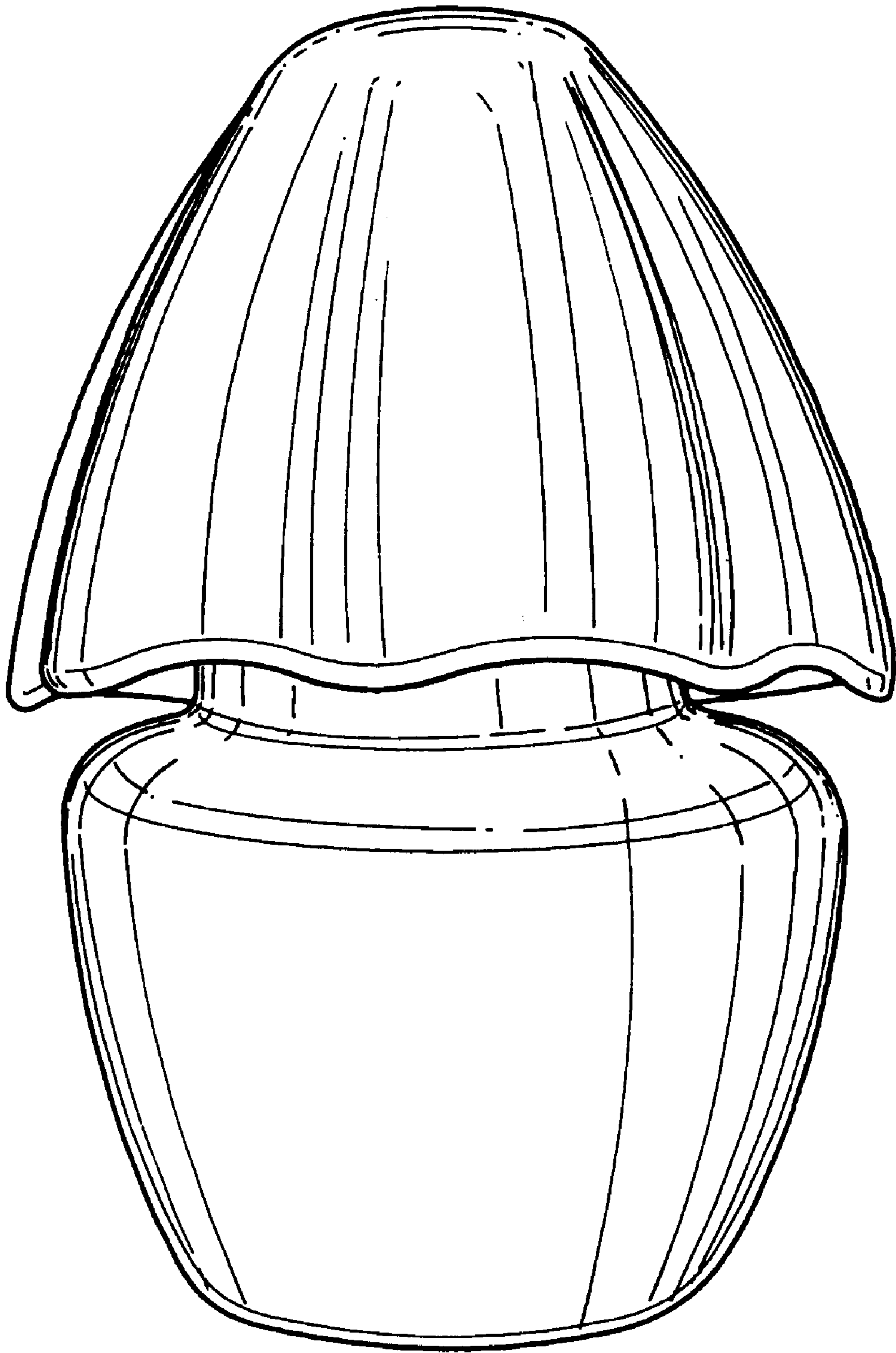


FIG. 1

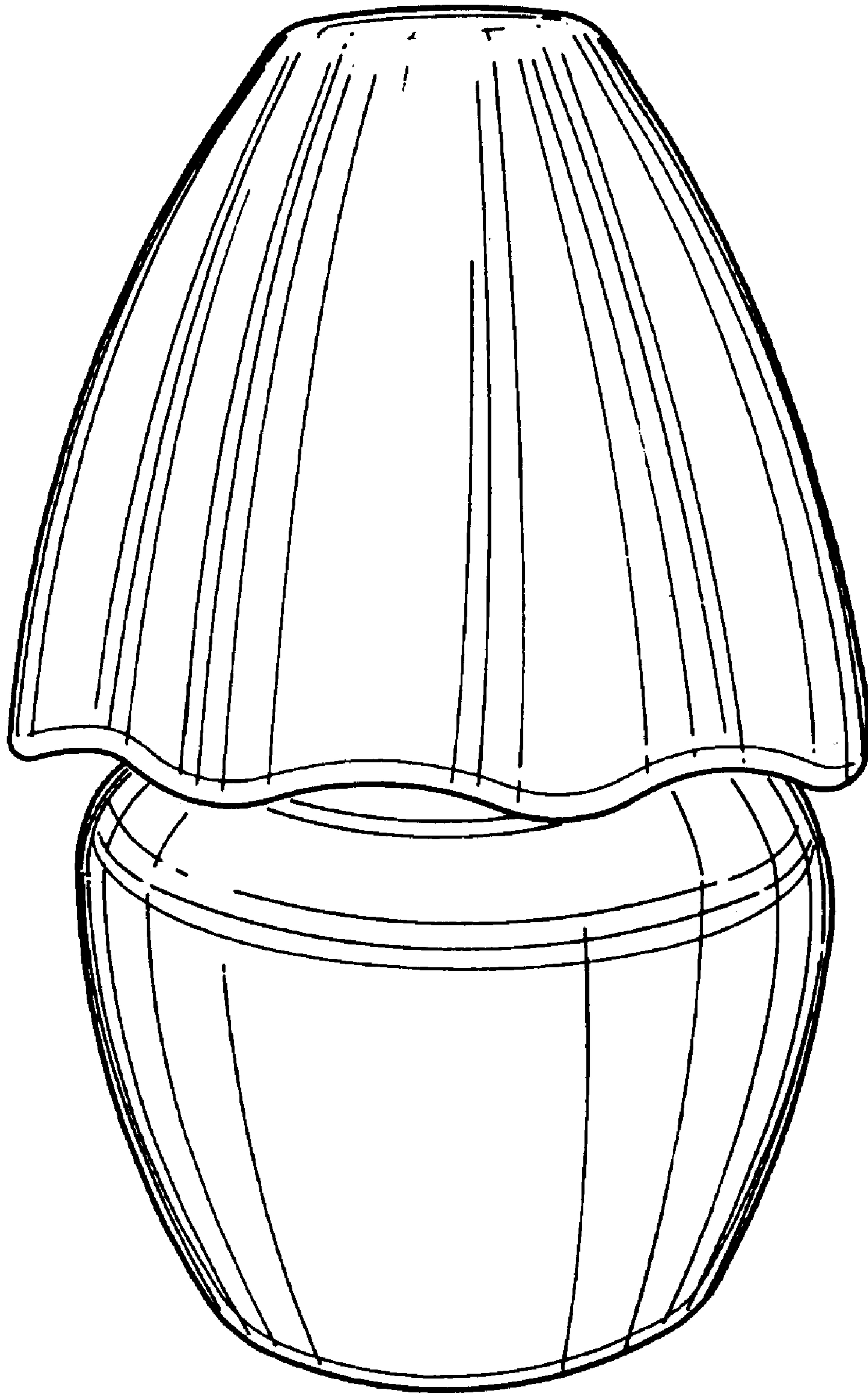


FIG. 2

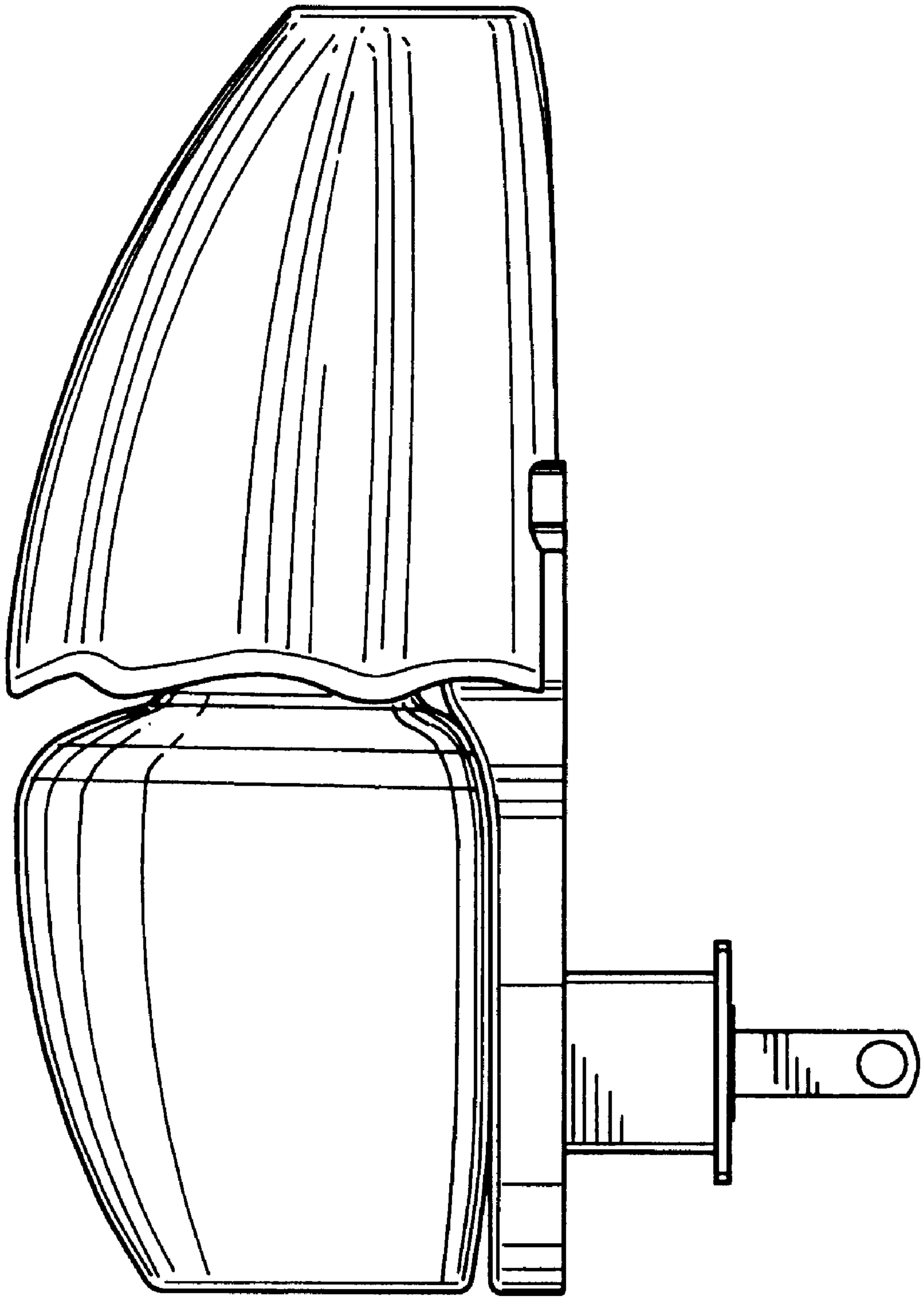


FIG.3

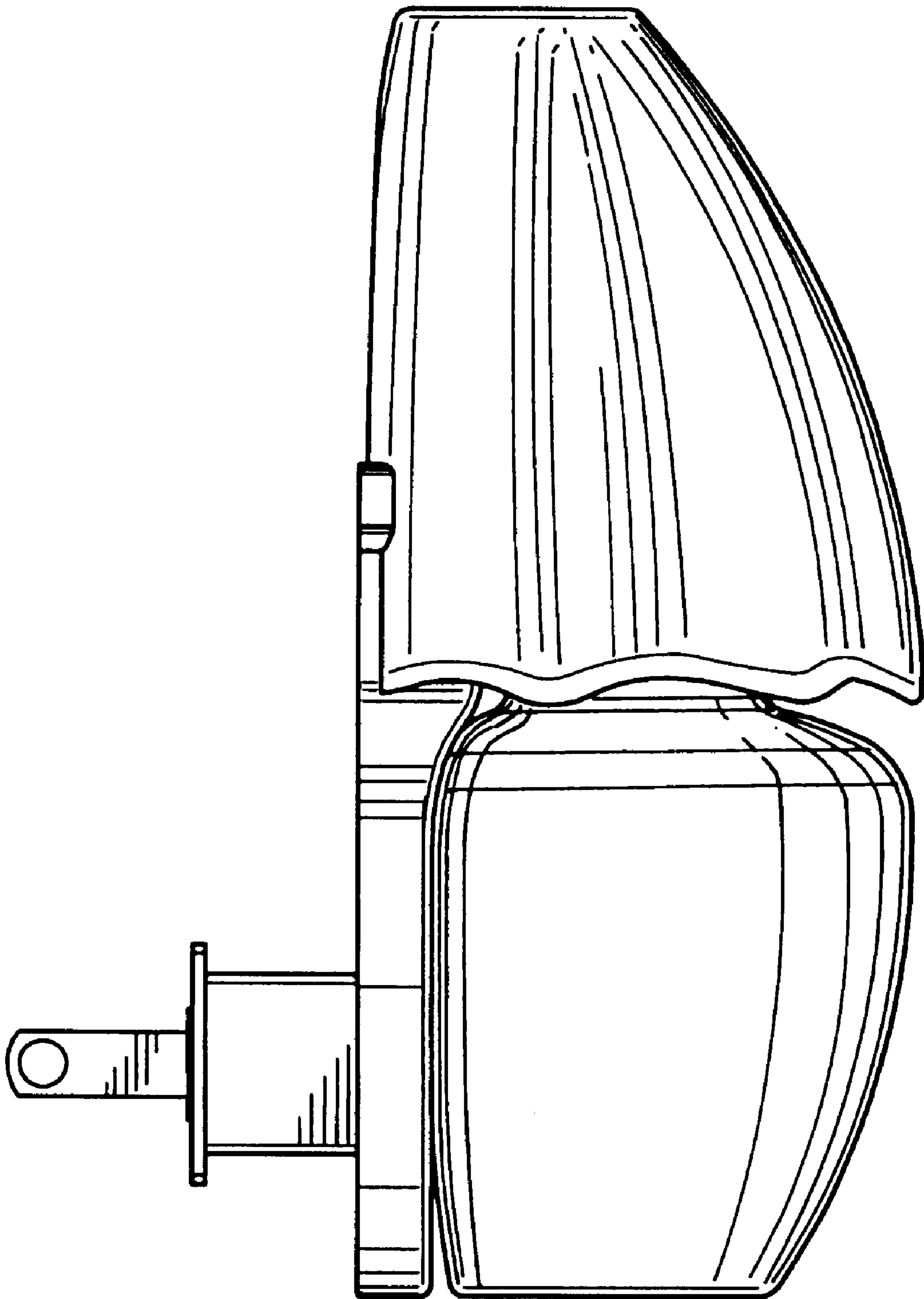


FIG.4

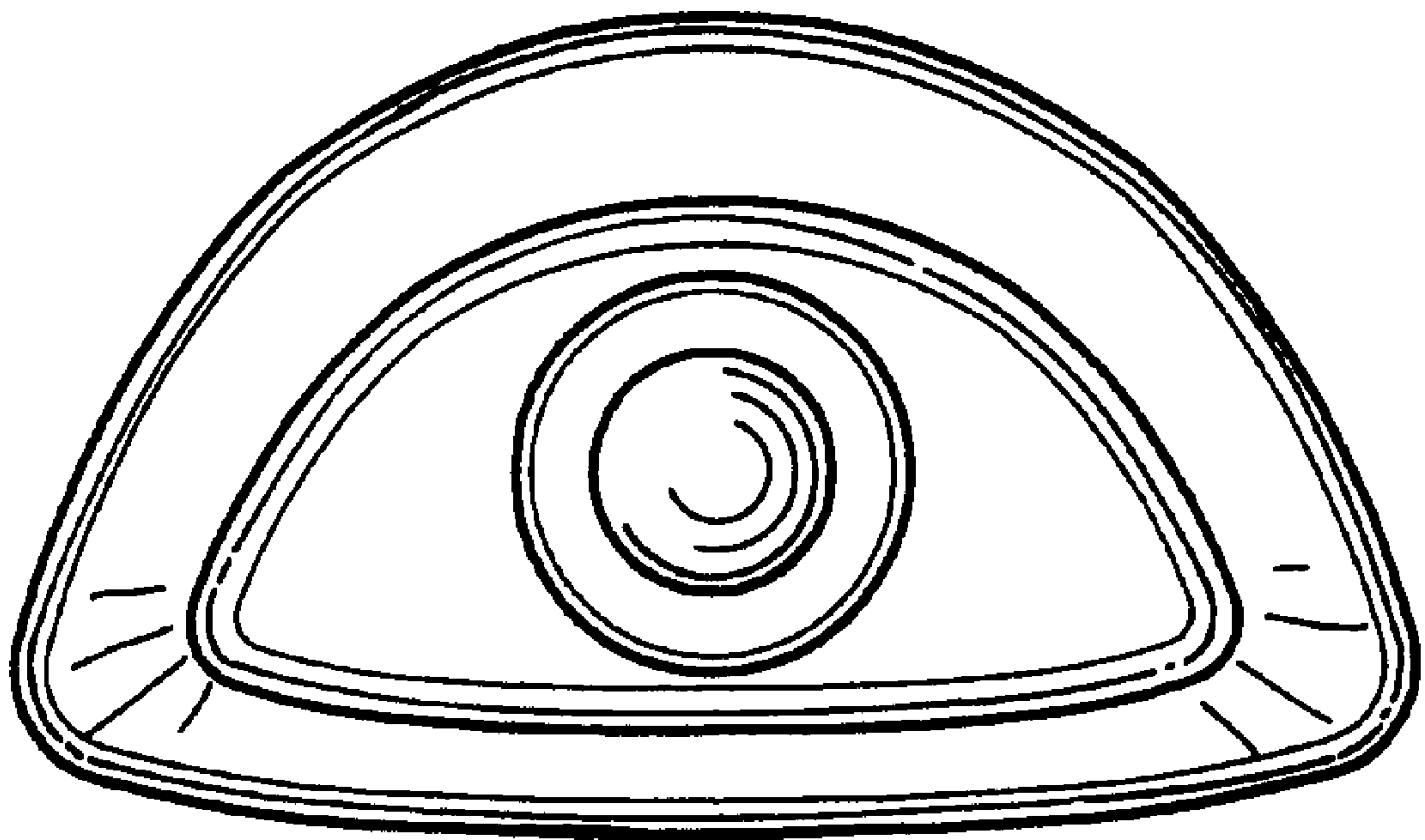


FIG.5

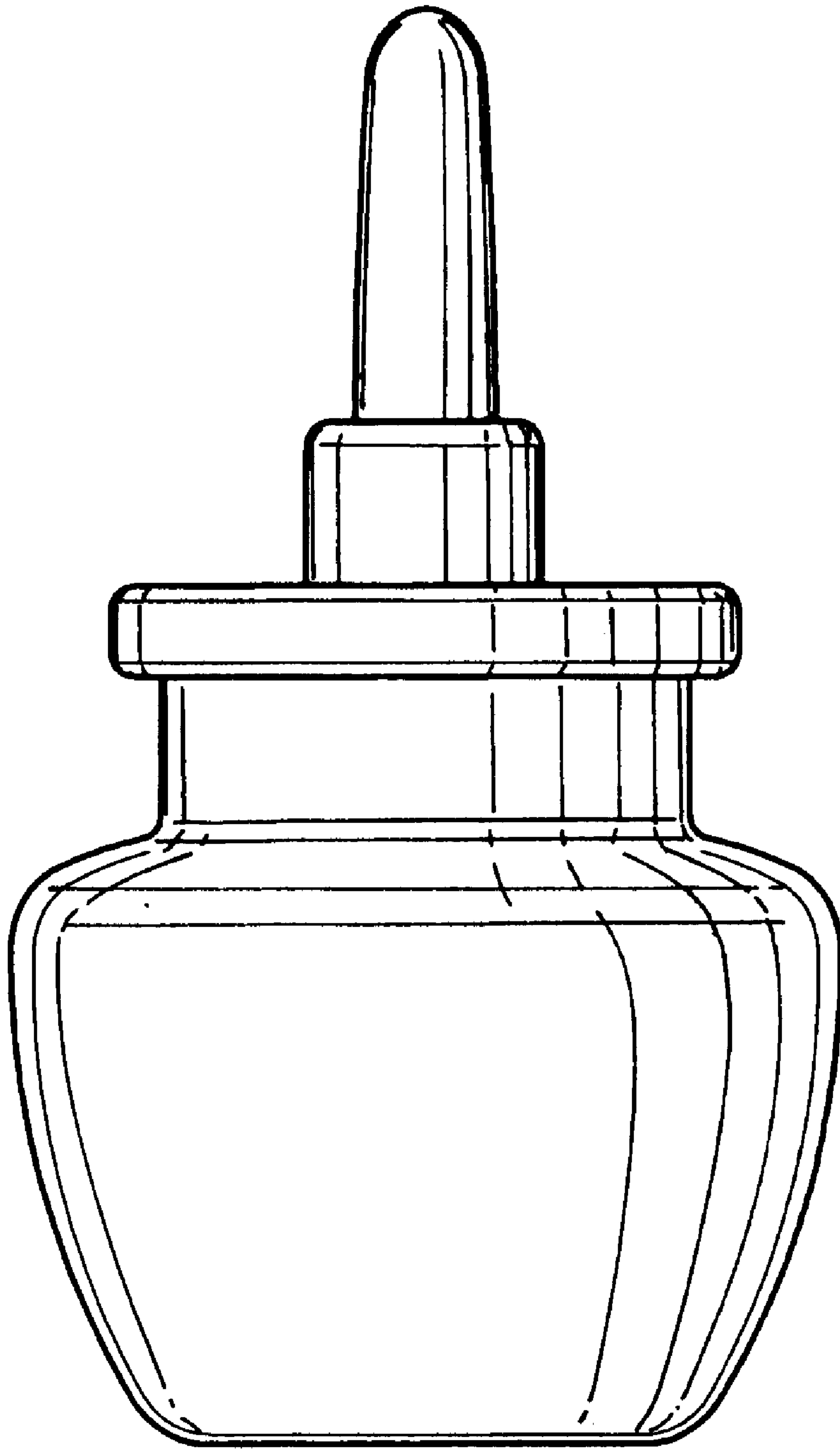


FIG.6

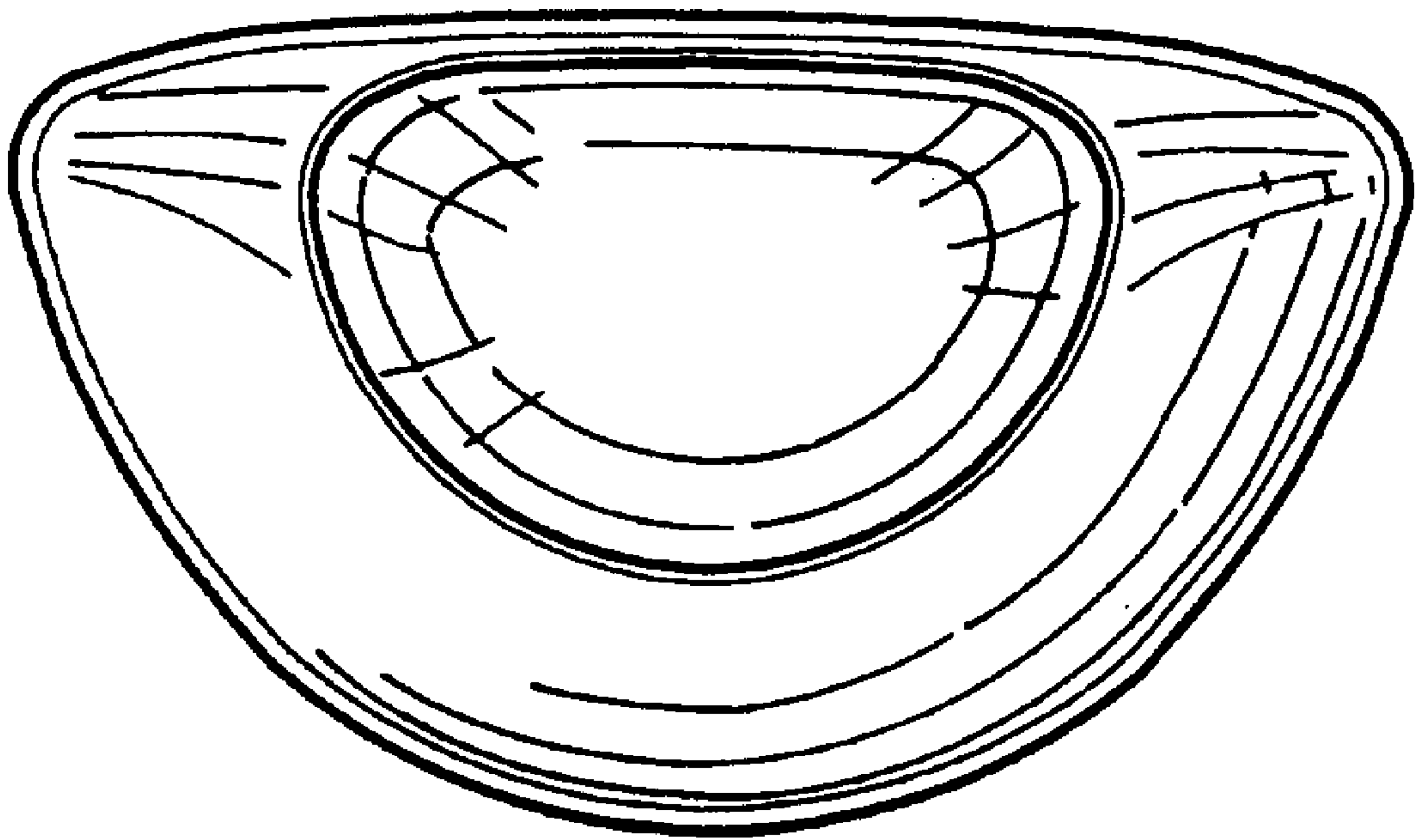


FIG.7

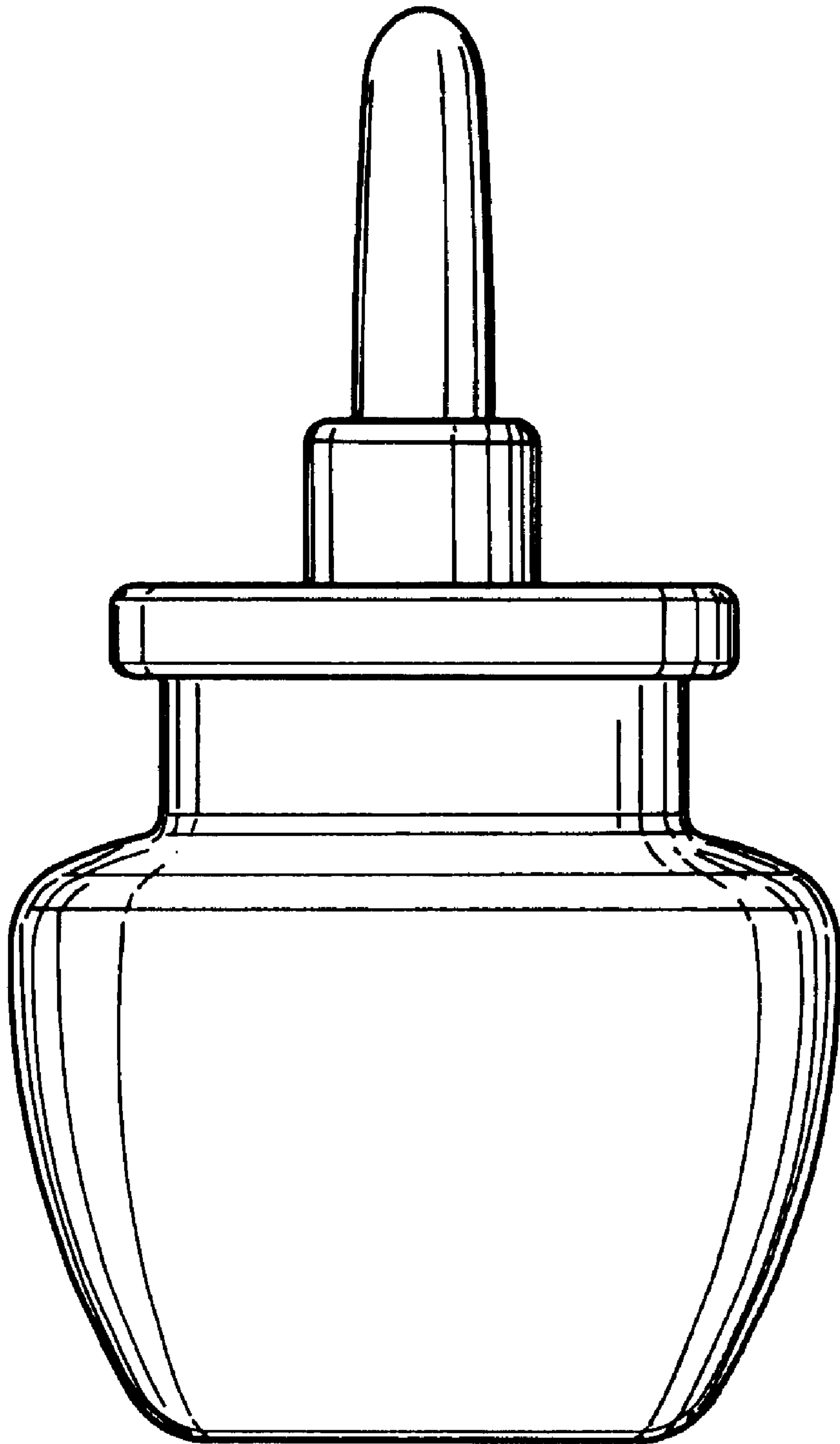


FIG.8

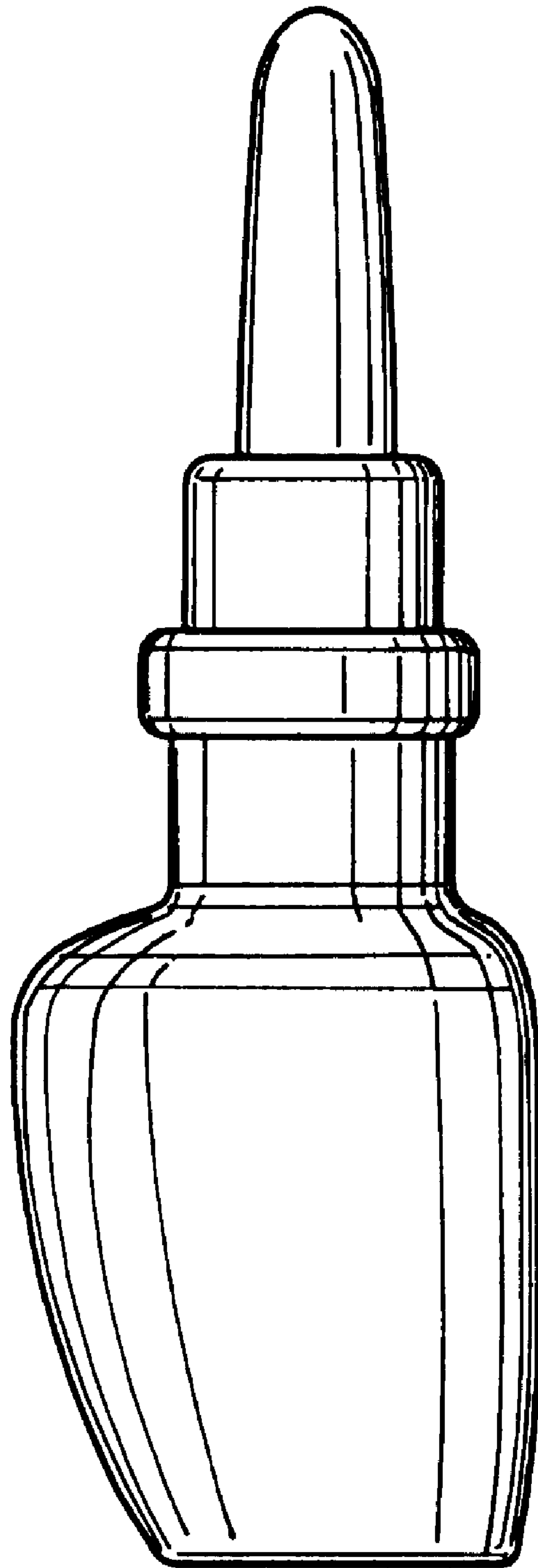


FIG.9

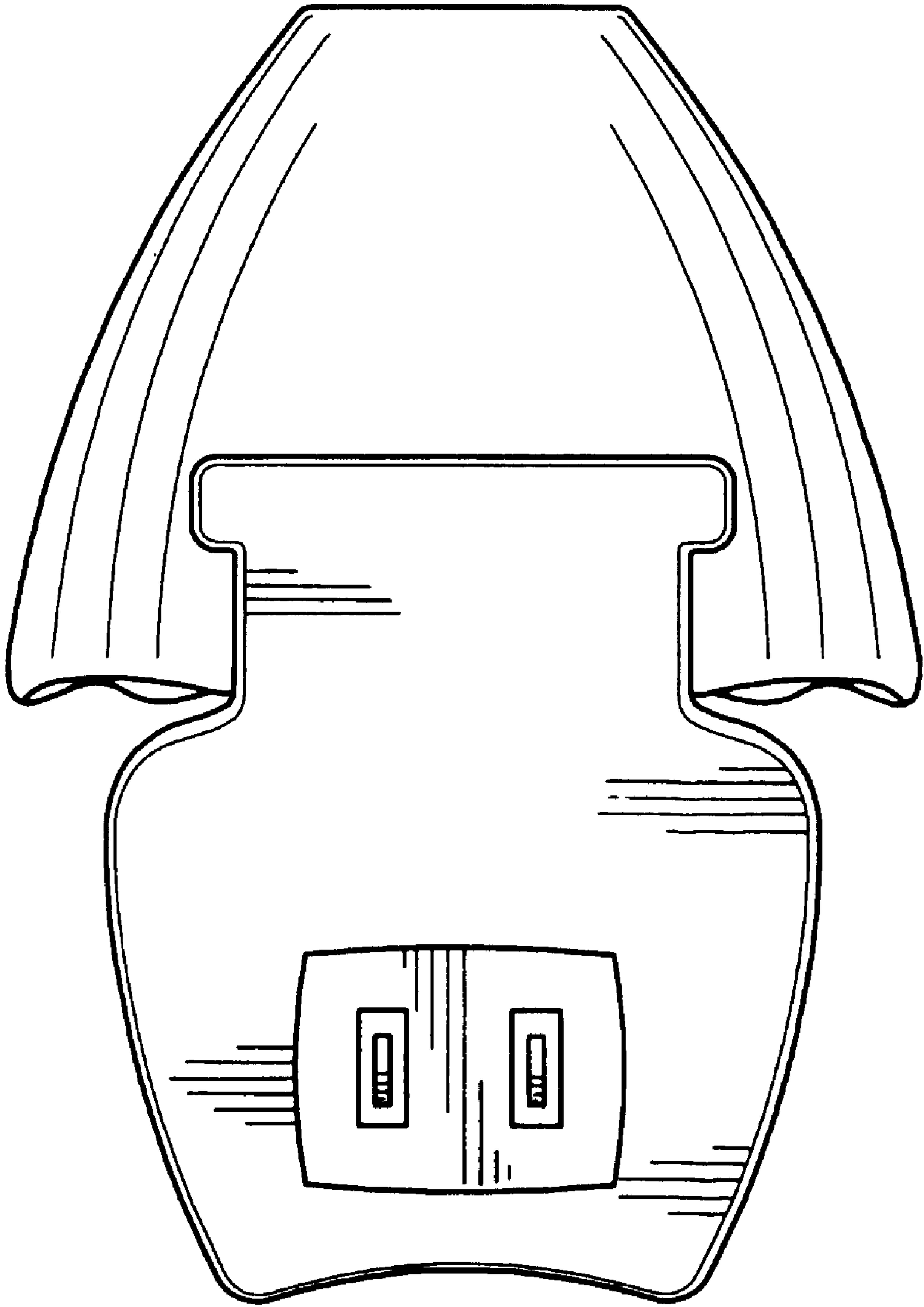


FIG.10

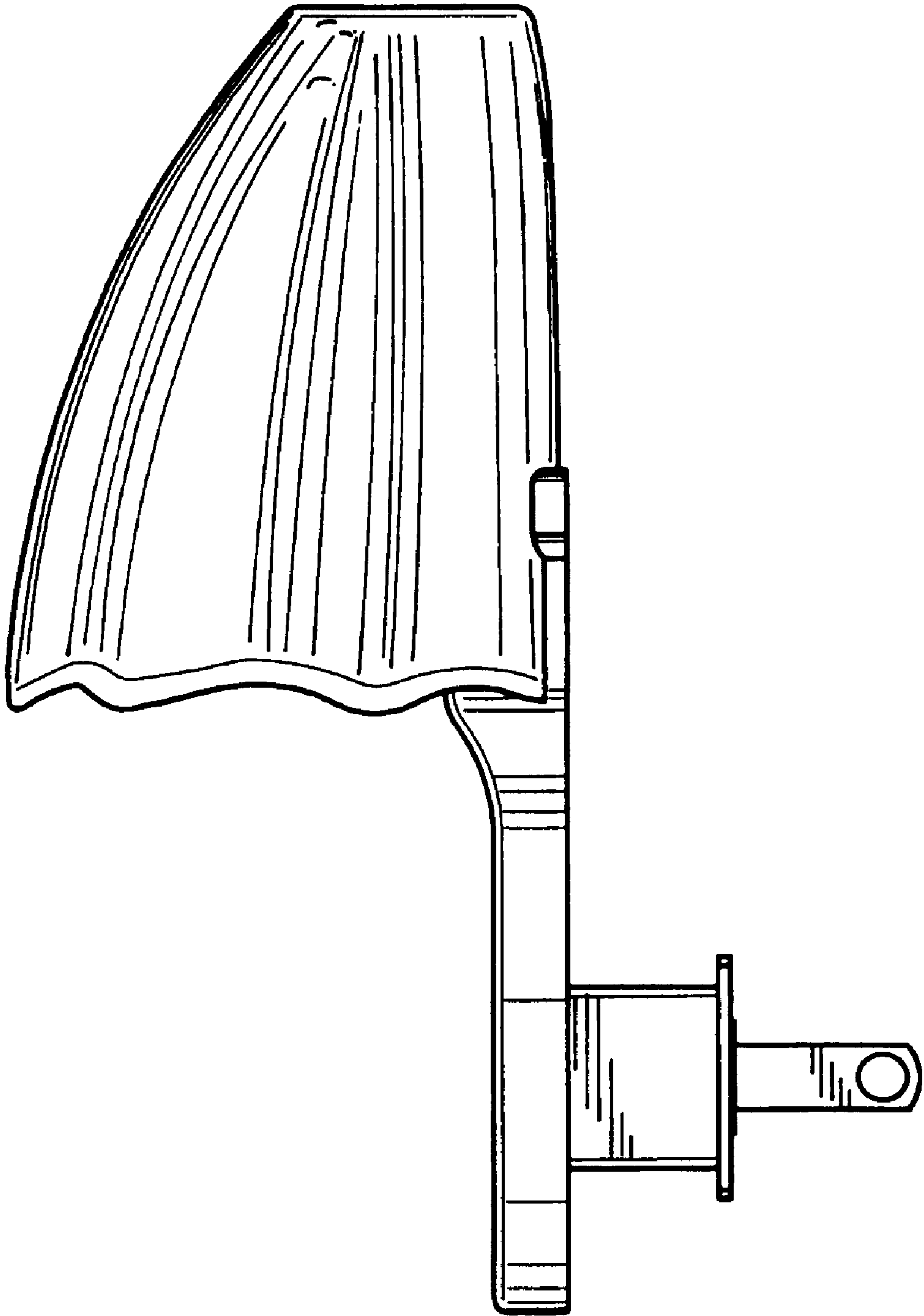


FIG. 11

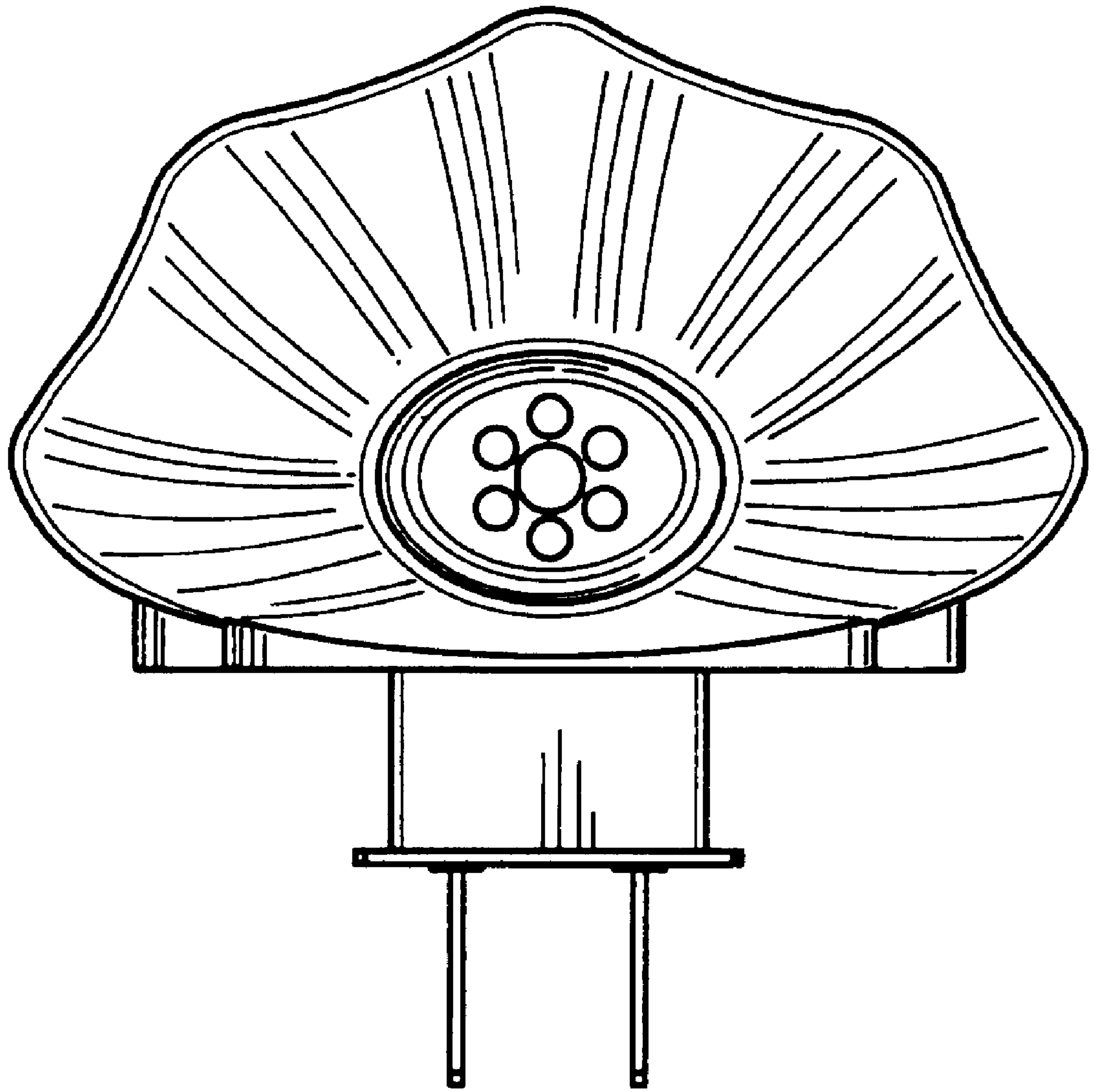


FIG. 12

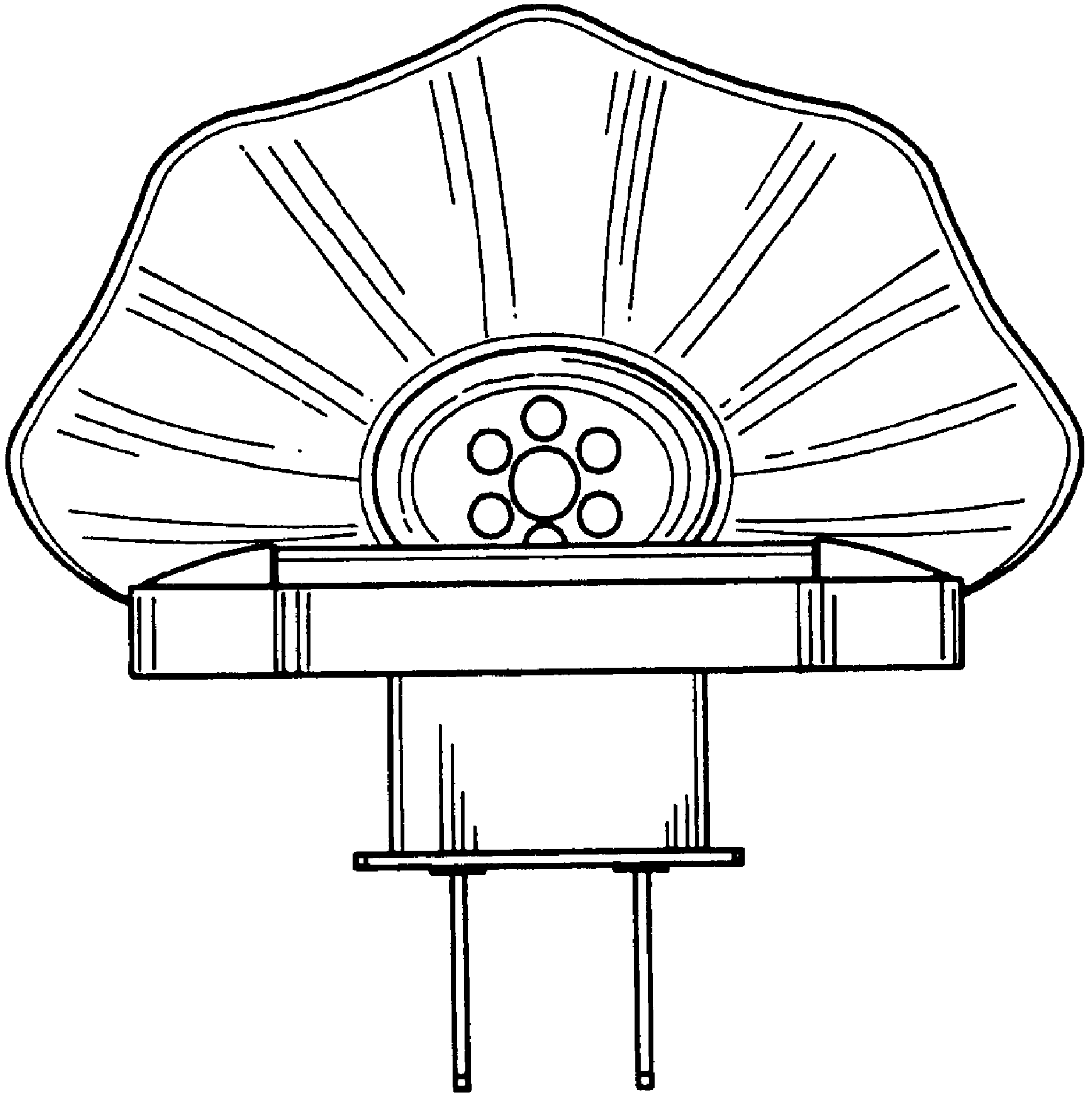


FIG. 13

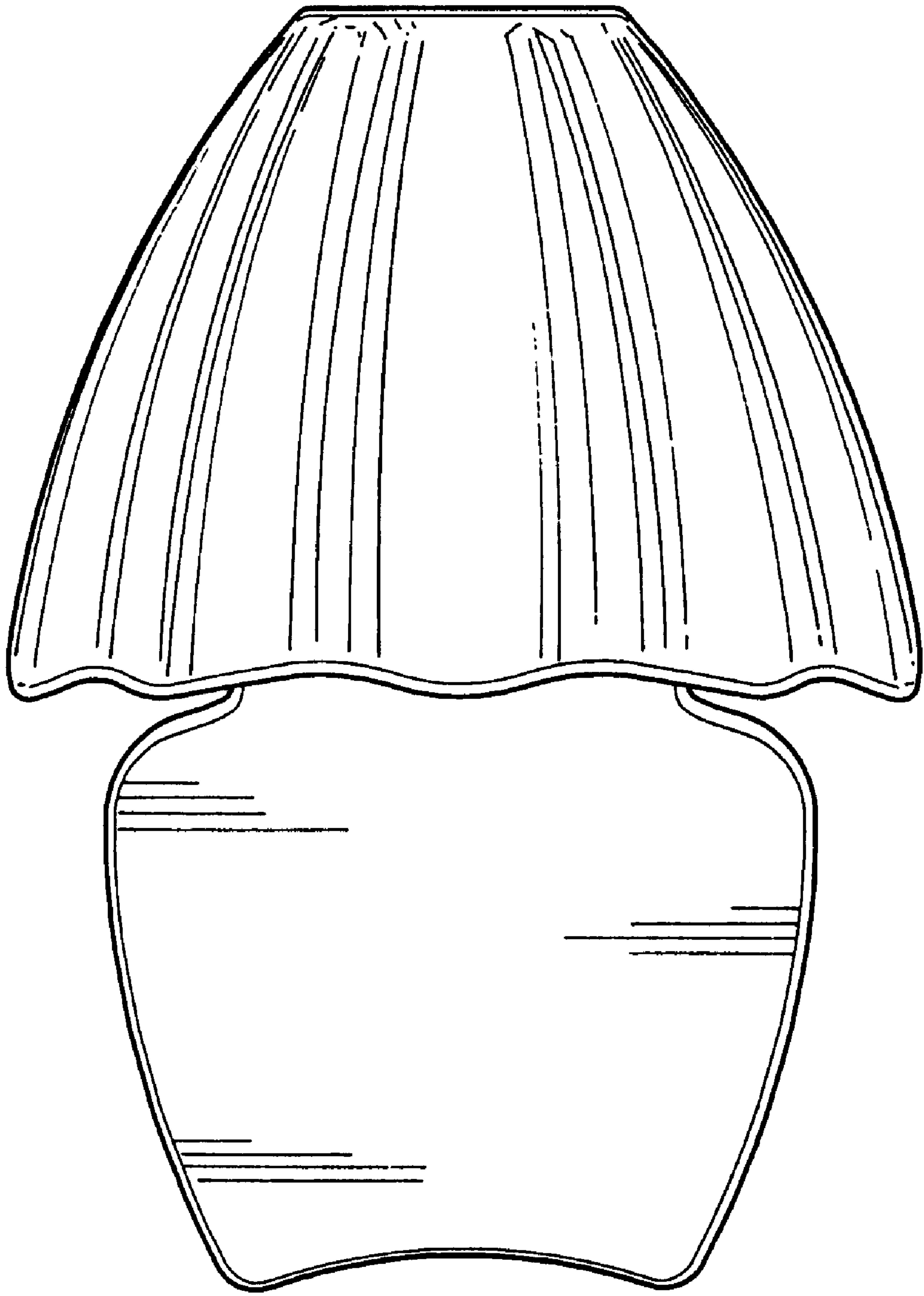


FIG.14