



US00D487586S

(12) **United States Design Patent**
Haug et al.

(10) **Patent No.:** **US D487,586 S**

(45) **Date of Patent:** **** Mar. 16, 2004**

(54) **GRIP FOR A SANITARY FAUCET**

(75) Inventors: **Andreas Haug**, Stuttgart (DE); **Tom Schönherr**, Stuttgart (DE); **Andreas Dimitriadis**, Lorch (DE)

(73) Assignee: **Hansgrohe AG**, Schiltach (DE)

(**) Term: **14 Years**

(21) Appl. No.: **29/177,538**

(22) Filed: **Mar. 11, 2003**

(30) **Foreign Application Priority Data**

Sep. 11, 2002 (DE) 4 02 07 567

(51) **LOC (7) Cl.** **23-01**

(52) **U.S. Cl.** **D23/252**

(58) **Field of Search** D23/238-243,
D23/245, 250-257; D8/300-322, 350-353,
DIG. 3; 16/110.1; 4/675-678; 137/801

(56) **References Cited**

U.S. PATENT DOCUMENTS

D321,242 S * 10/1991 Delepine D23/238
D462,421 S * 9/2002 Hundley D23/252

OTHER PUBLICATIONS

Fantini Rubinetteria, catalog, 2 pages, Sep., 1999.
Framo-Rubinetteria, catalog, 1 page, Mar., 2002.
Newform-Rubinetteria, catalog, 2 pages, Mar., 2002.
Il tuo rubinetto by Fonte, 2 pages, Mar., 2002.
Dornbracht, catalog, one page, Mar., 2001.

* cited by examiner

Primary Examiner—Louis S. Zarfes

Assistant Examiner—Gregory Andoll

(74) *Attorney, Agent, or Firm*—Duane Morris LLP

(57) **CLAIM**

The ornamental design for a grip for a sanitary faucet, as shown and described.

DESCRIPTION

FIG. 1: is a side perspective view of the grip for a sanitary faucet showing our new design;
FIG. 2: is a rear elevation view thereof;
FIG. 3: is a top plan view thereof;
FIG. 4: is a side elevation view thereof (the opposite side being a mirror image); and,
FIG. 5: is a front elevation view thereof.

1 Claim, 1 Drawing Sheet

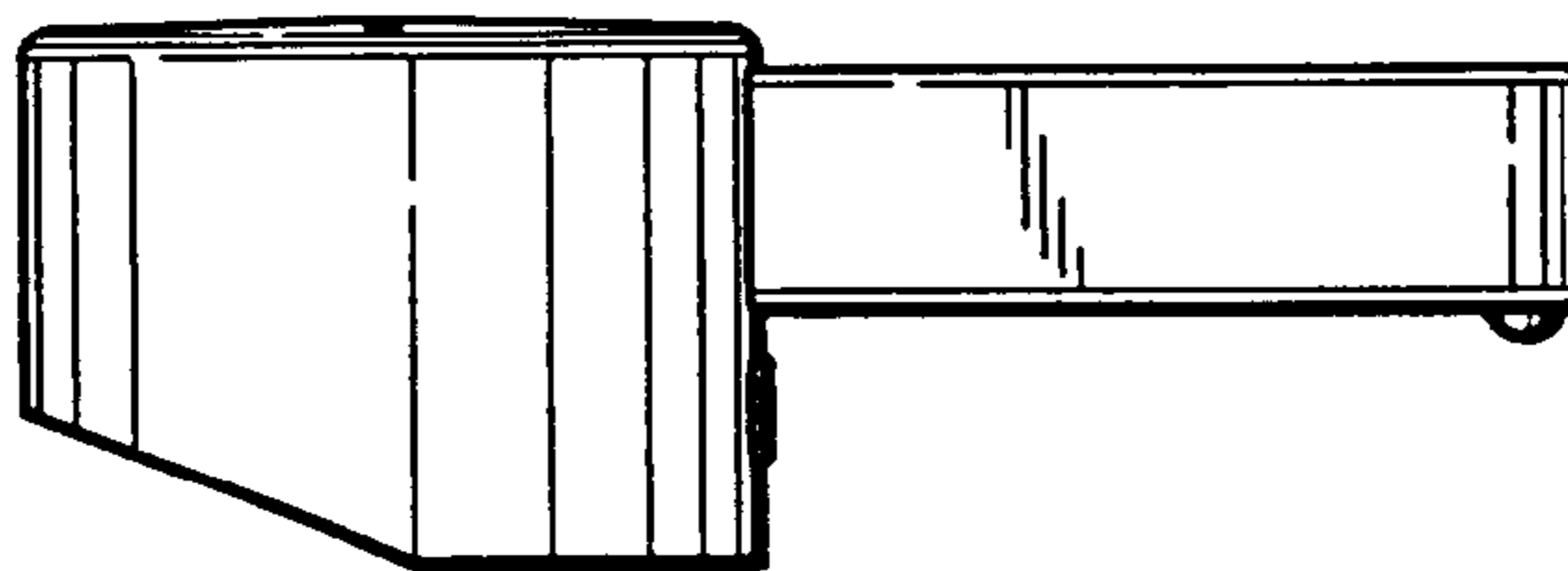
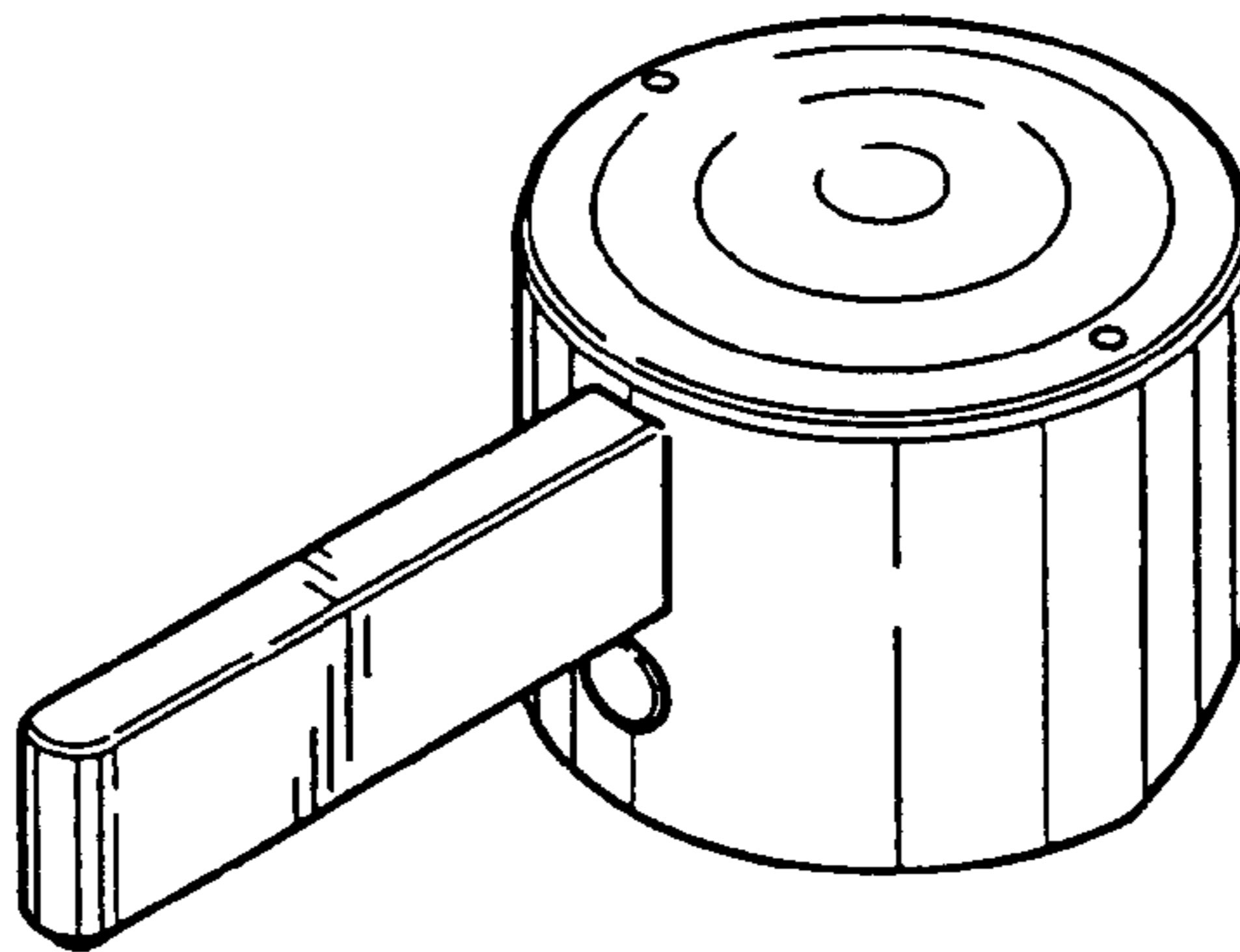


FIG. 1

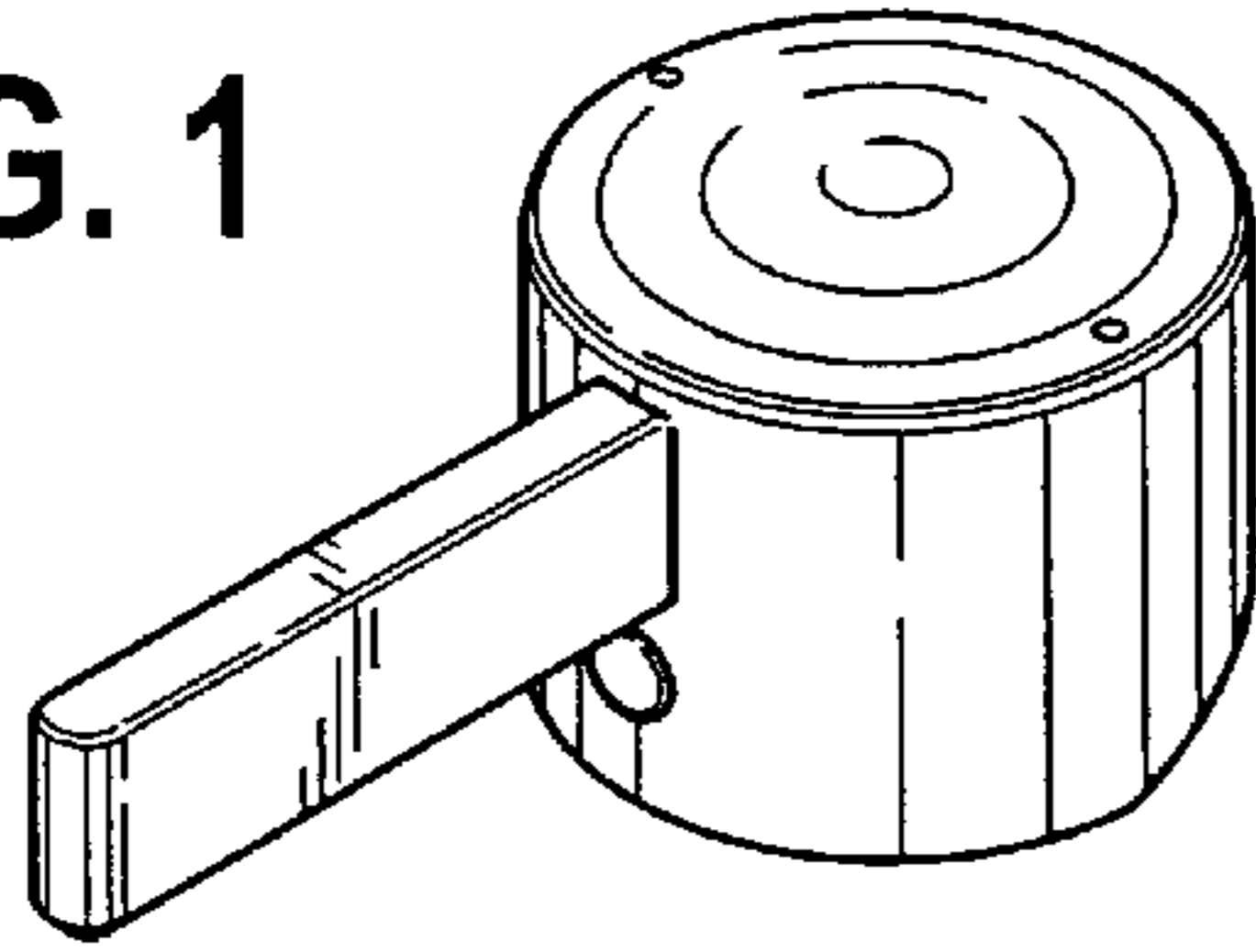


FIG. 3

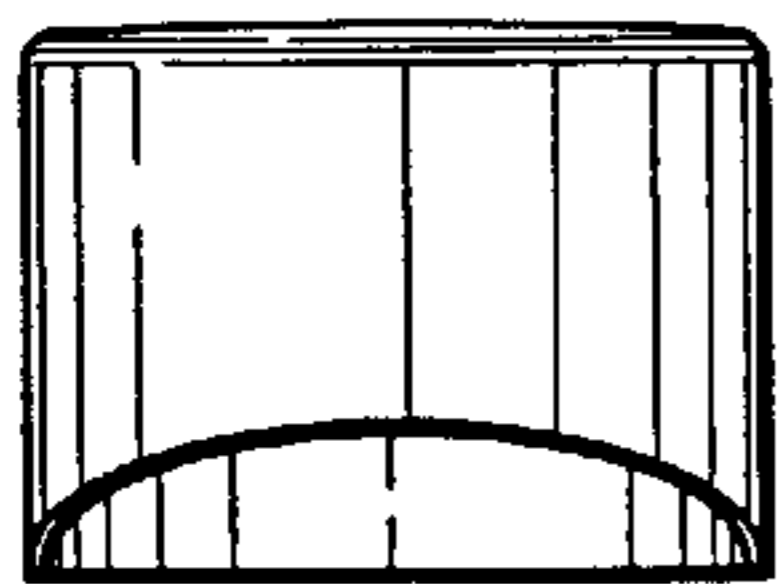
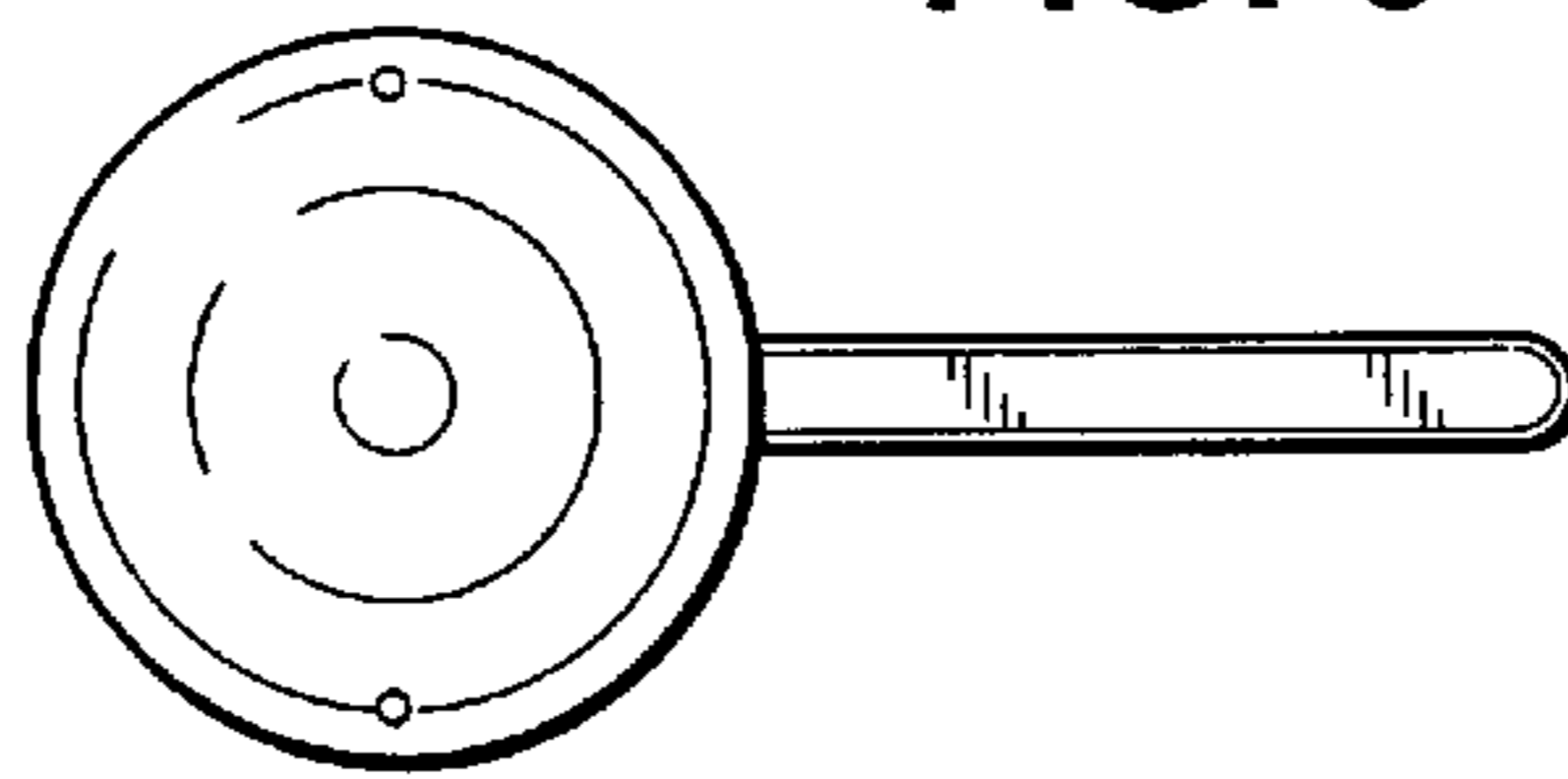


FIG. 2

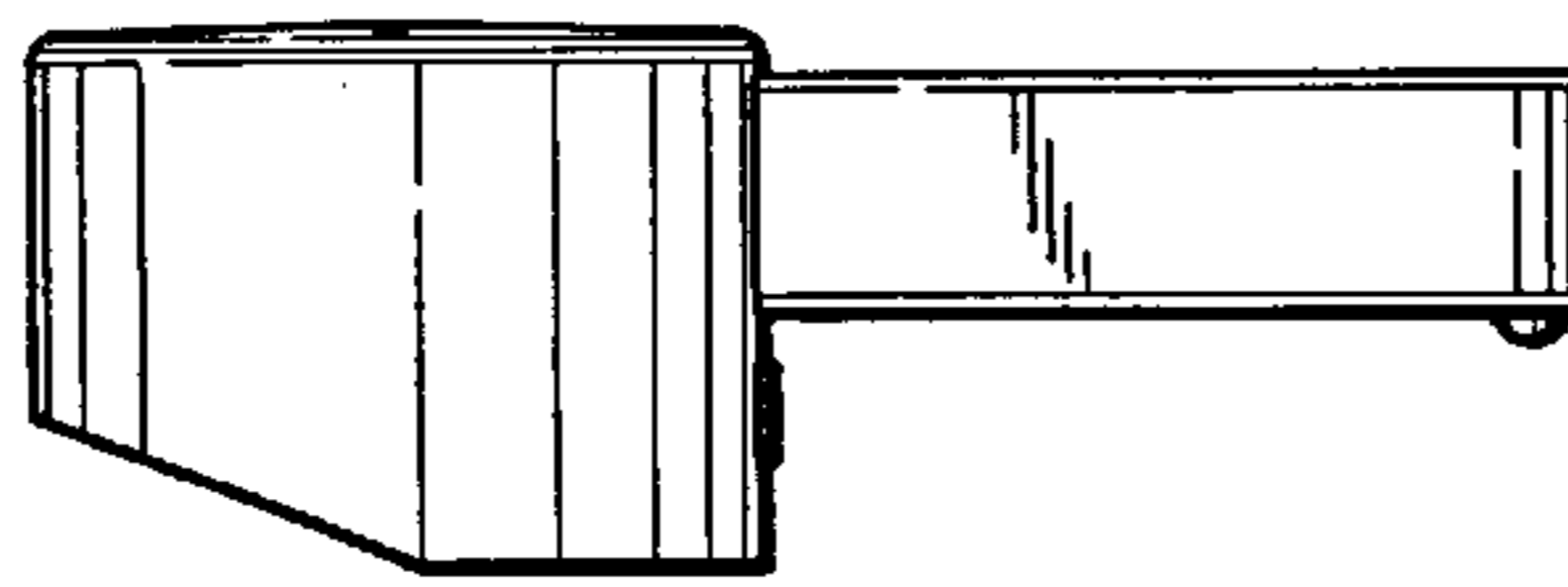


FIG. 4

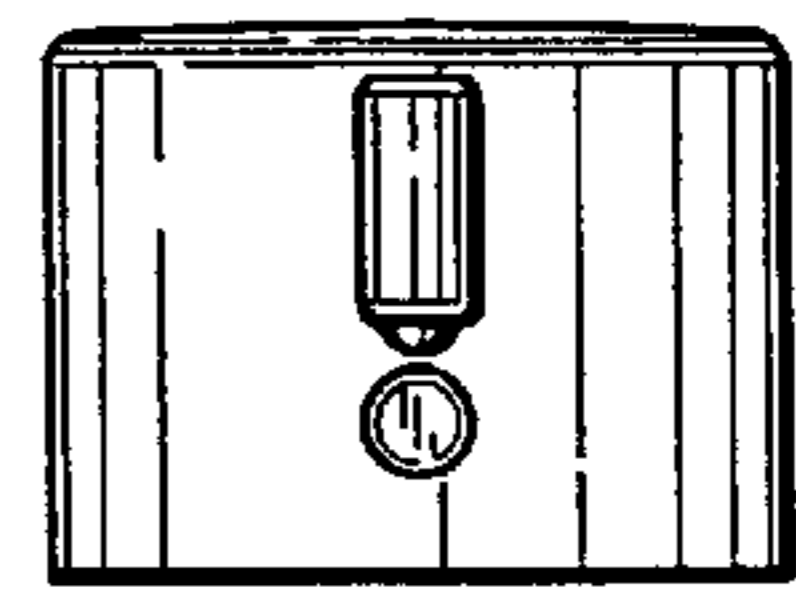


FIG. 5