



US00D487585S

(12) **United States Design Patent**  
**Shieh**

(10) **Patent No.:** **US D487,585 S**

(45) **Date of Patent:** **\*\* Mar. 16, 2004**

(54) **COMBINATION FAUCET**

D464,406 S \* 10/2002 Gottwald ..... D23/255

(76) Inventor: **Ming Don Shieh**, 5F-2, No. 130,  
Tai-Yuan N. Rd., Taichung (TW)

\* cited by examiner

(\*\*) Term: **14 Years**

*Primary Examiner*—Louis S. Zarfes  
*Assistant Examiner*—Gregory Andoll  
(74) *Attorney, Agent, or Firm*—Bacon & Thomas, PLLC

(21) Appl. No.: **29/142,334**

(57) **CLAIM**

(22) Filed: **May 24, 2001**

The ornamental design for a combination faucet, as shown and described.

(51) **LOC (7) Cl.** ..... **23-01**

(52) **U.S. Cl.** ..... **D23/241; D23/239**

(58) **Field of Search** ..... D23/238–243,  
D23/250–257; 4/675–678; 137/801

**DESCRIPTION**

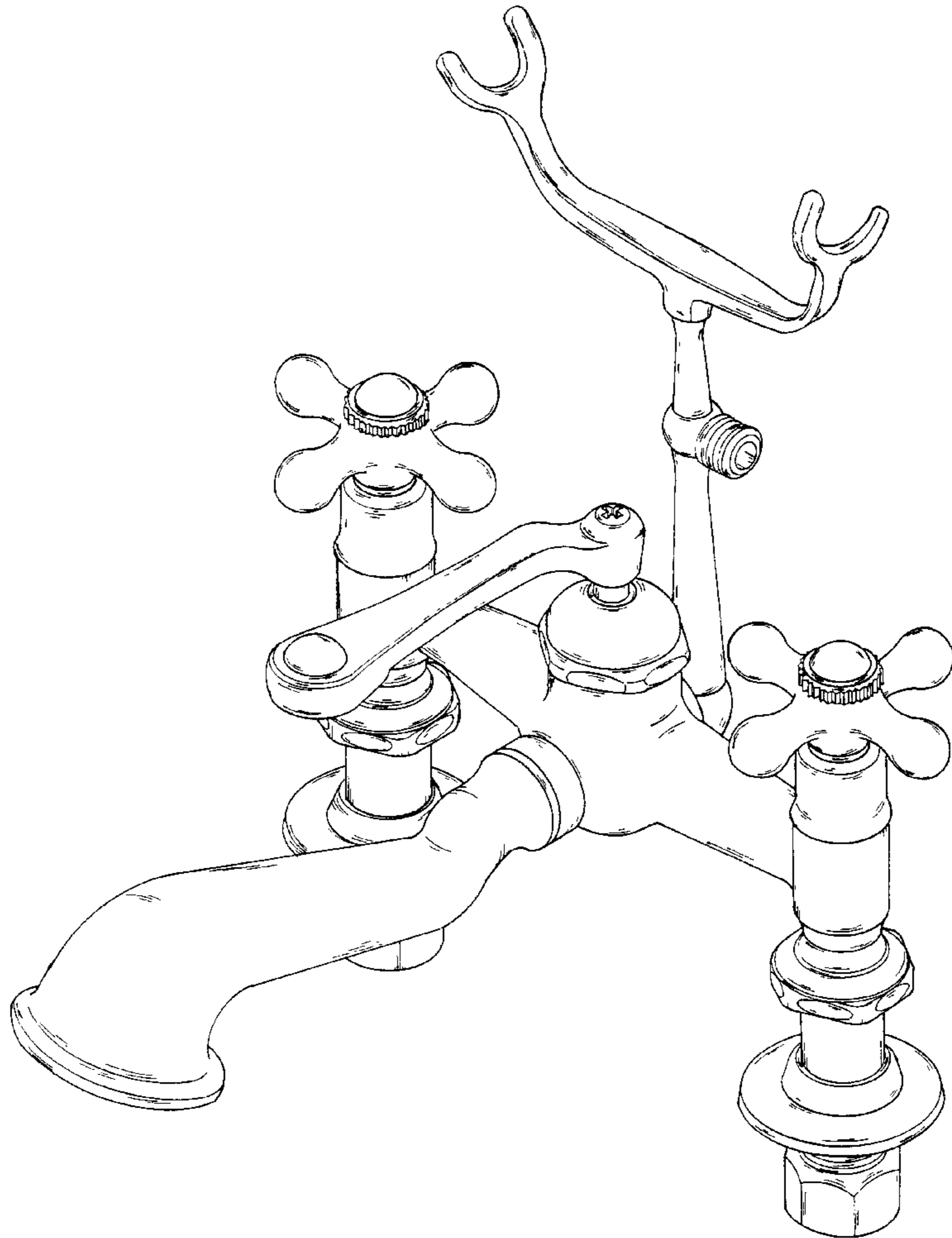
FIG. 1 is a perspective view of a combination faucet showing my new design;  
FIG. 2 is a front elevational view thereof;  
FIG. 3 is a rear elevational view thereof;  
FIG. 4 is a left side elevational view thereof;  
FIG. 5 is a right side elevational view thereof;  
FIG. 6 is a top plan view thereof; and,  
FIG. 7 is a bottom plan view thereof.

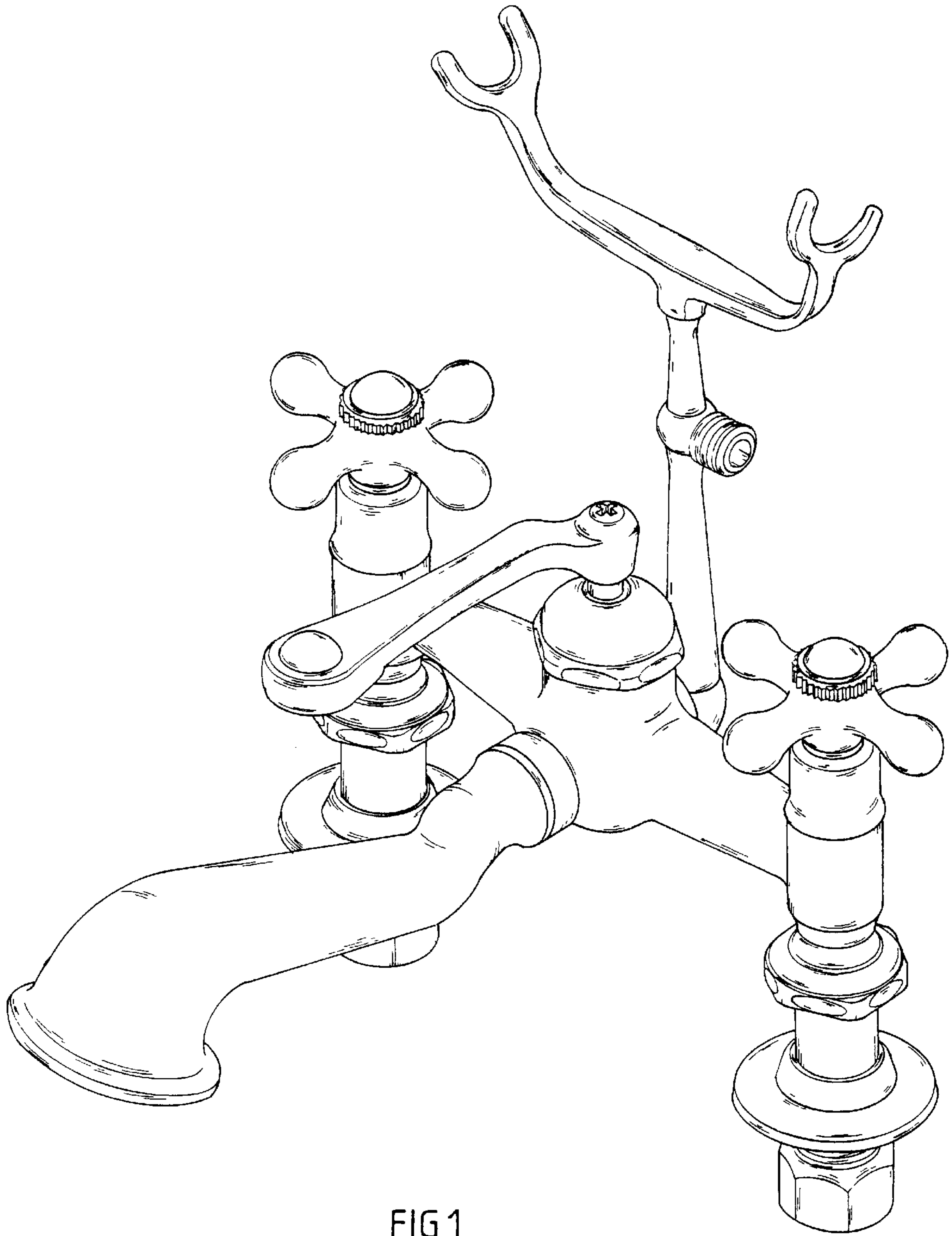
(56) **References Cited**

**U.S. PATENT DOCUMENTS**

D29,705 S	*	11/1898	Buick	.....	D23/240
D45,574 S	*	4/1914	Speakman	.....	D23/238
D68,867 S	*	11/1925	MacKay	.....	D23/240
D72,505 S	*	4/1927	Van Eweyk	.....	D23/241
D291,114 S	*	7/1987	Piesco	.....	D23/239
D342,119 S	*	12/1993	Shieh	.....	D23/241

**1 Claim, 7 Drawing Sheets**





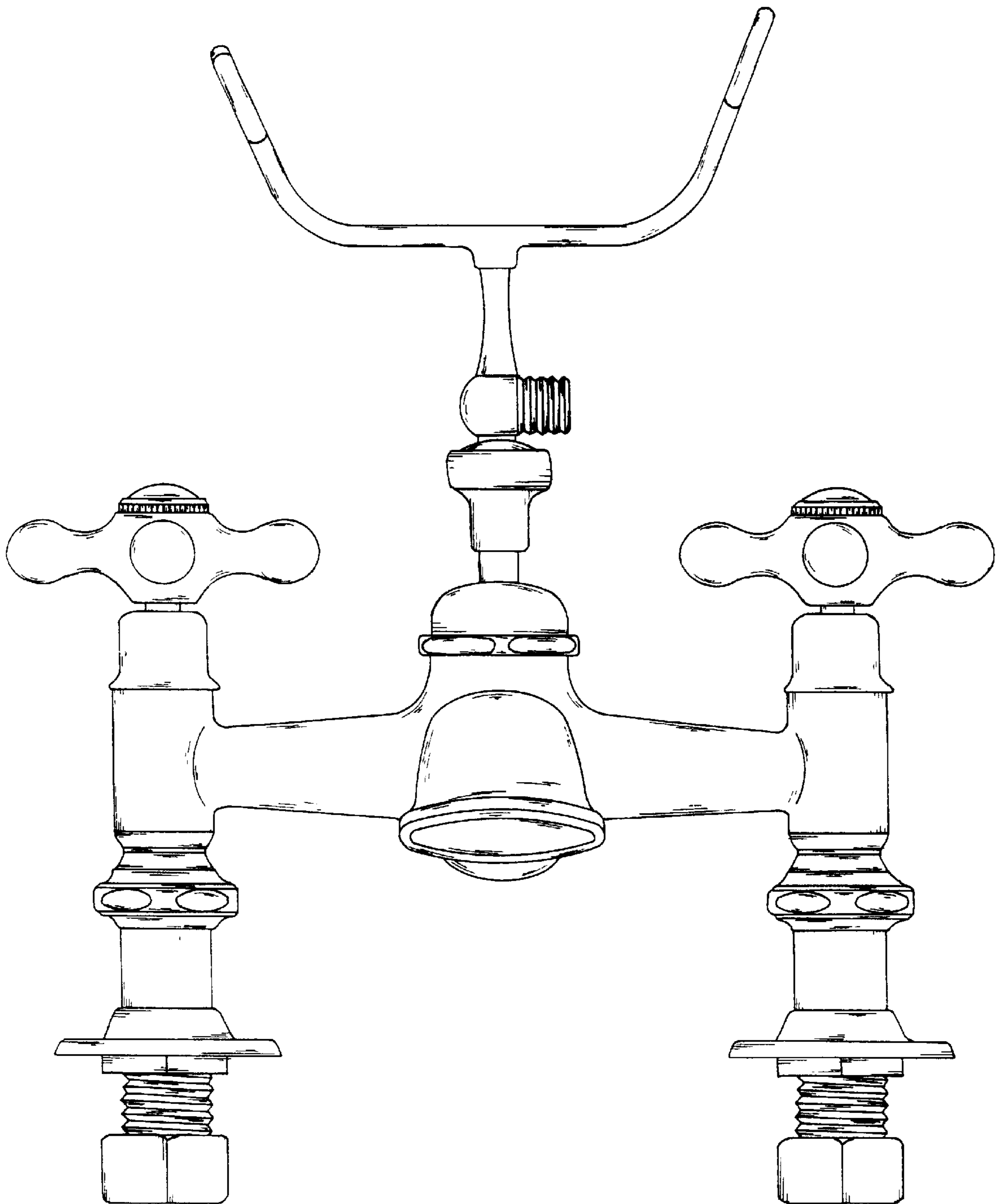


FIG.2

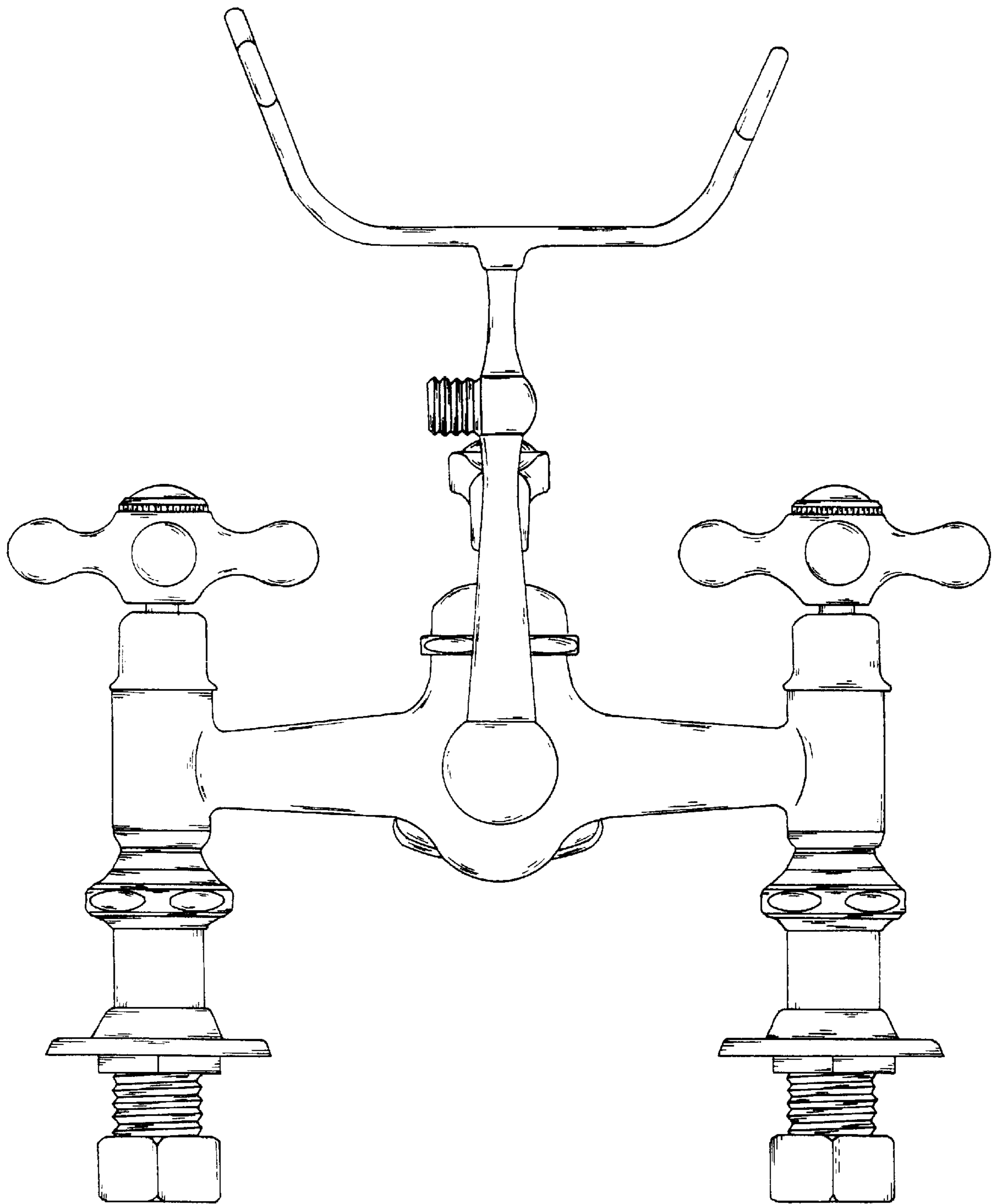


FIG 3

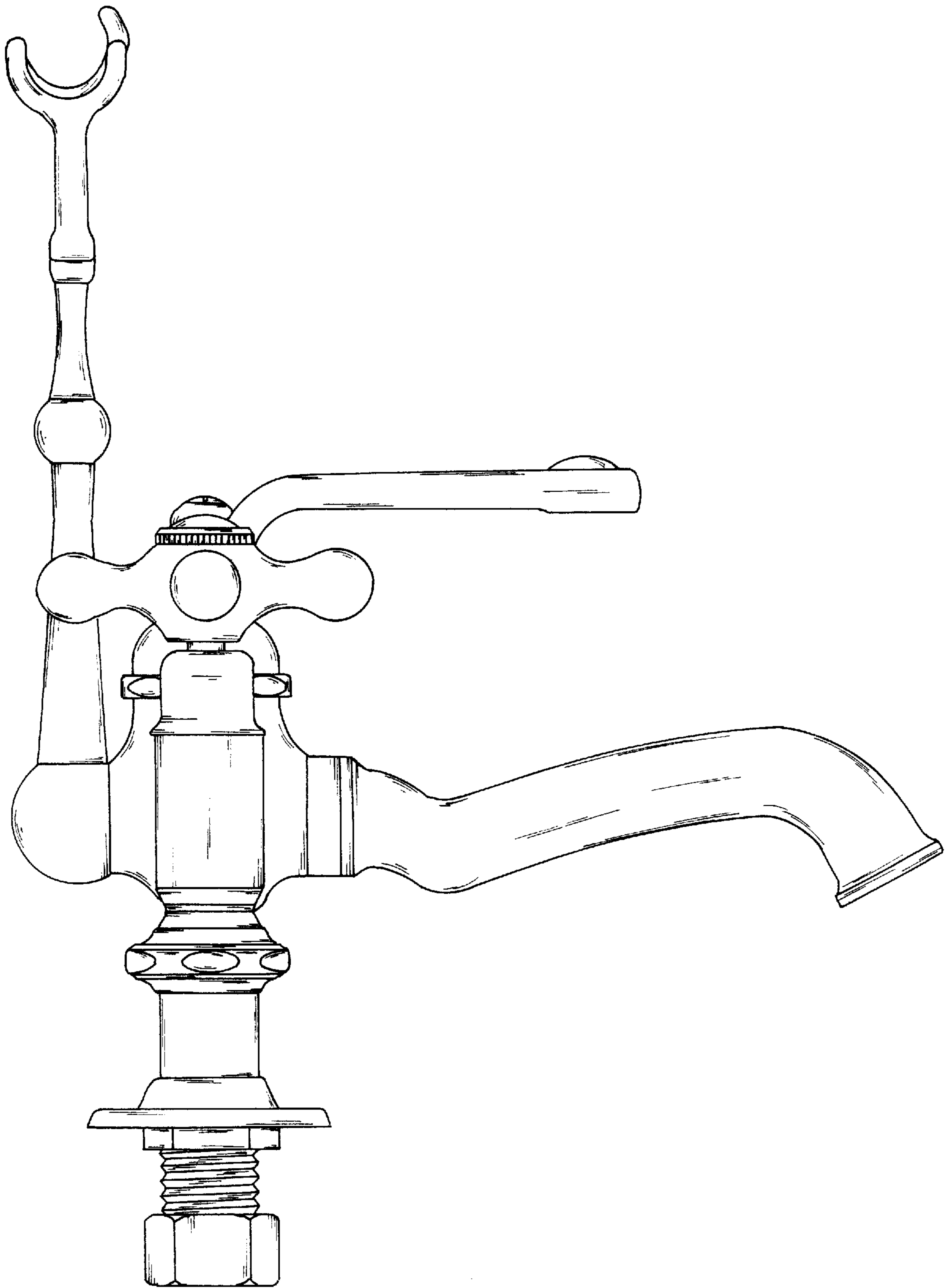


FIG.4

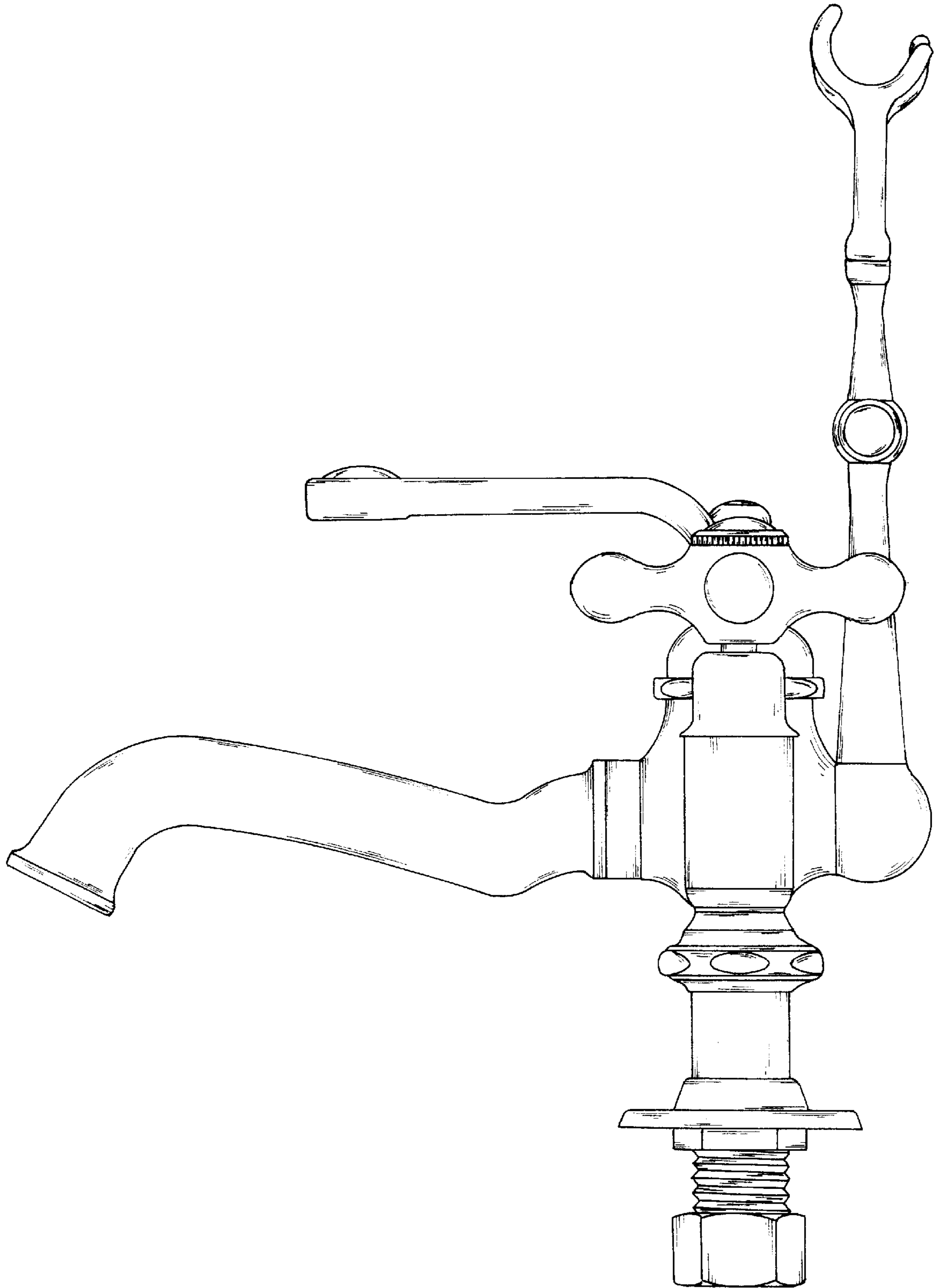


FIG. 5

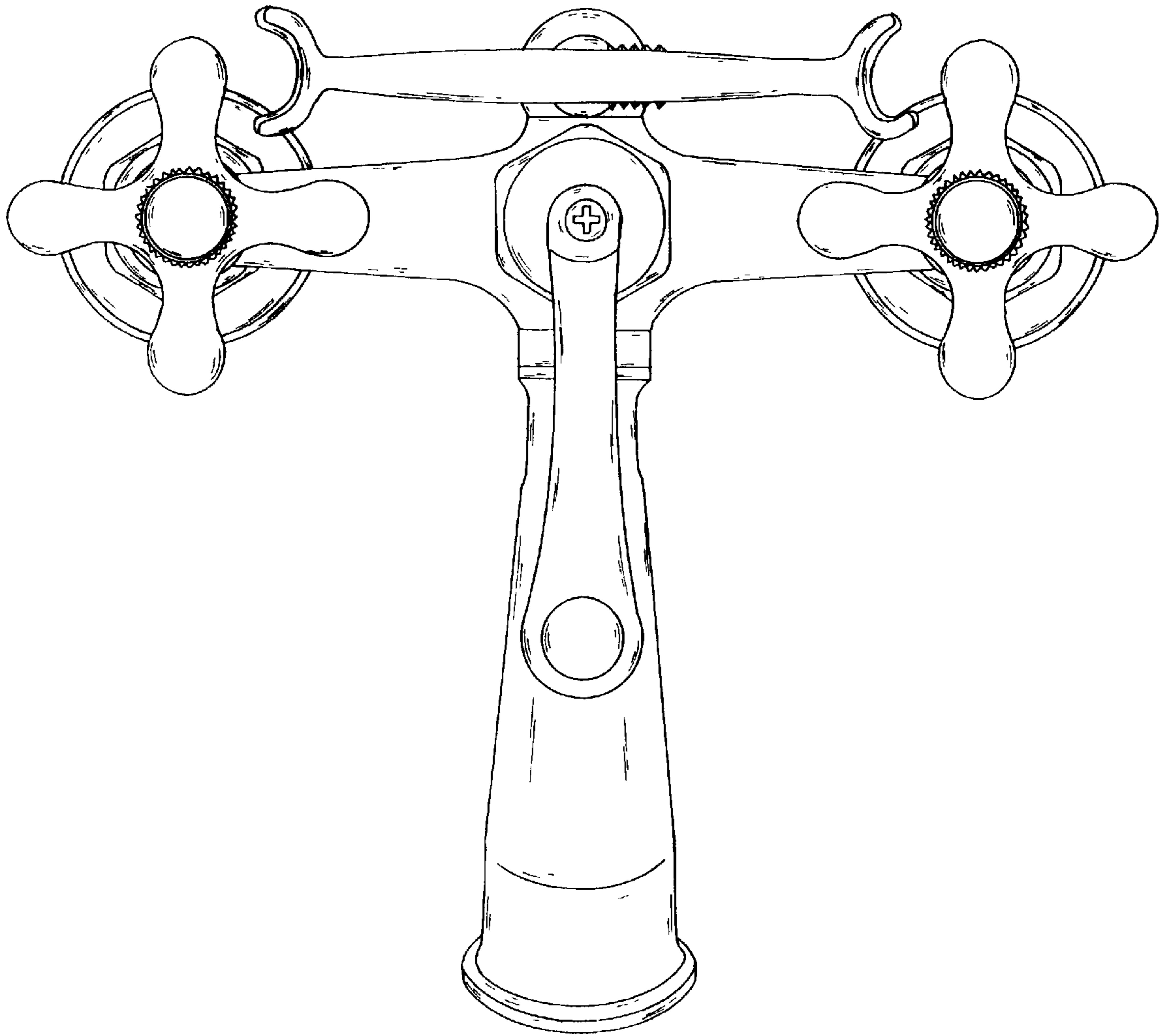


FIG 6

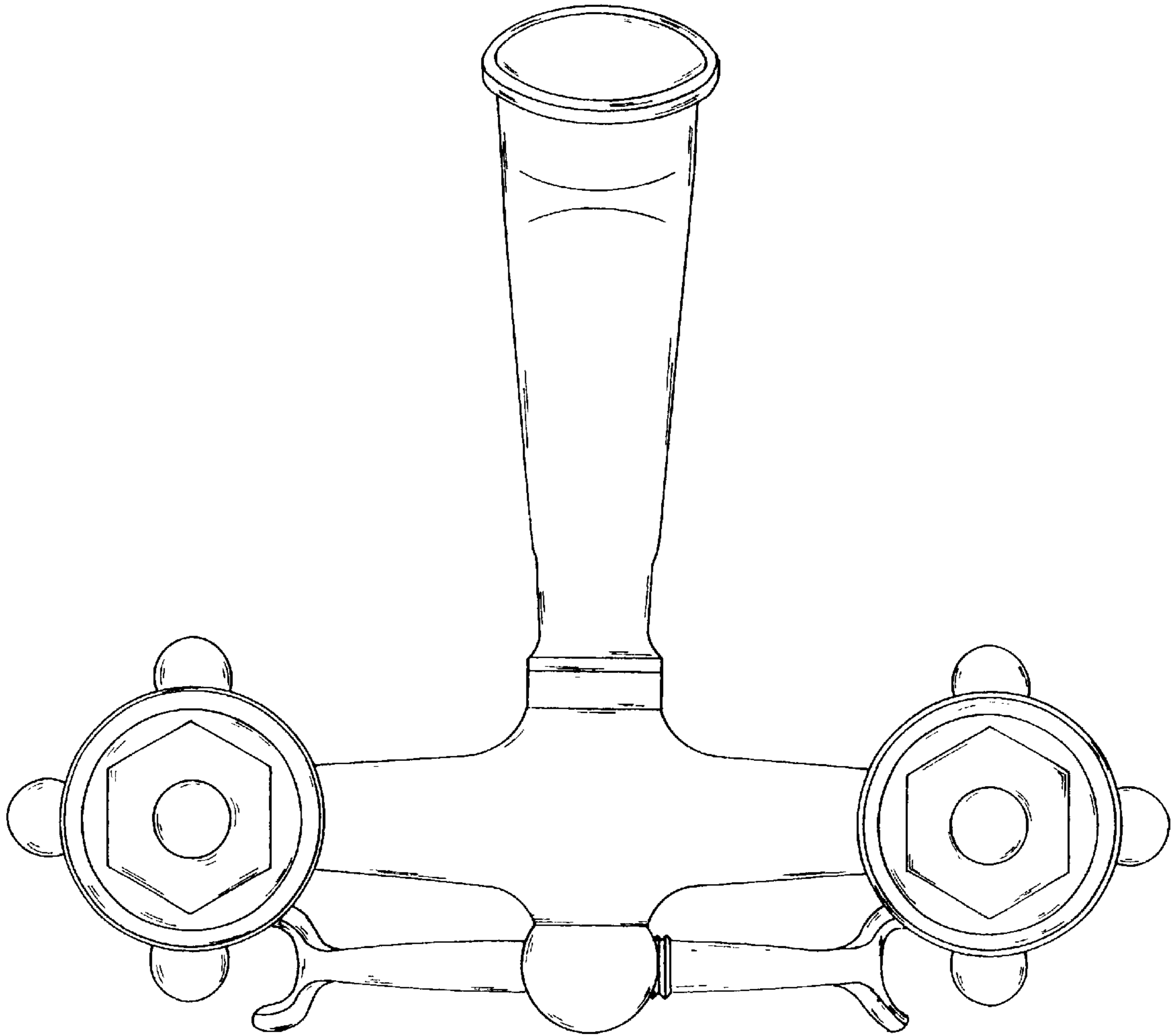


FIG 7