



US00D487582S

(12) **United States Design Patent**  
**McGahn et al.**

(10) **Patent No.:** **US D487,582 S**

(45) **Date of Patent:** **\*\* Mar. 16, 2004**

(54) **GAMING DEVICE HAVING AN ANGLED REEL DISPLAY**

D462,397 S 9/2002 Baker et al.  
D473,899 S \* 4/2003 Munoz et al. .... D21/370

(75) Inventors: **Steven P. McGahn**, Reno, NV (US);  
**Bayard S. Webb**, Sparks, NV (US)

**OTHER PUBLICATIONS**

(73) Assignee: **IGT**, Reno, NV (US)

Double Diamond Girls Advertisement written by A.C. Coin and Slot Services Company, published prior to 2002.

(\*\*) Term: **14 Years**

Mayan Wheel of Gold Advertisement written by Anchor Games, published prior to 2002.

(21) Appl. No.: **29/167,559**

Mill Vest Pocket Article written by Horizontal Spinning Reels 1940.

(22) Filed: **Sep. 16, 2002**

Monster Match written Advertisement by A.C. Coin and Slot Services Company, published in Jan. 2002.

(51) **LOC (7) Cl.** ..... **21-03**

Monte Carlo Advertisement written by Bally Gaming Systems, published prior to 2000.

(52) **U.S. Cl.** ..... **D21/369; D21/385**

On the Money Advertisement written by Casino Data Systems, published Dec. 2000.

(58) **Field of Search** ..... D21/325, 329,  
D21/369-371, 374, 385; 273/138.1; 463/16-17,  
20, 46-47

Spin a Lot Advertisement written by Acres Gaming, Inc., published in 2000.

(56) **References Cited**

Wheel and Deal Advertisement written by Anchor Games, published in Dec. 2001.

**U.S. PATENT DOCUMENTS**

Wheel of Fortune Advertisement written by Barcrest Ltd., published in 1995.

5,152,529 A	10/1992	Okada	
5,259,616 A	11/1993	Bergamann	
5,722,891 A	3/1998	Inoue	
5,752,881 A	5/1998	Inoue	
5,788,573 A	8/1998	Baerlocher et al.	
D400,597 S	11/1998	Hedrick et al.	
5,848,932 A	12/1998	Adams	
D404,084 S	1/1999	Hedrick et al.	
D406,615 S	3/1999	Griswold et al.	
D406,865 S	3/1999	Heidel	
5,882,261 A	3/1999	Adams	
5,890,962 A	4/1999	Takemoto	
5,911,418 A	6/1999	Adams	
5,934,672 A	8/1999	Sines et al.	
5,947,820 A	9/1999	Morro et al.	
6,059,658 A	5/2000	Mangano et al.	
6,089,978 A	7/2000	Adams	
6,105,962 A	8/2000	Malavazos et al.	
6,142,873 A	11/2000	Weiss et al.	
6,168,520 B1	1/2001	Baerlocher et al.	
6,186,894 B1 *	2/2001	Mayeroff	463/20
6,224,483 B1	5/2001	Mayeroff	
6,227,971 B1	5/2001	Weiss	
6,334,814 B1	1/2002	Adams	

Wheel of Fortune Advertisement written by International Game Technology, published in 1998.

Wheel of Fortune II Advertisement written by International Game Technology, published in 1998.

Wheel of Fortune Video Advertisement (website) written by International Game Technology, printed Mar. 21, 2001.

Progressive Wheel of Fortune Advertisement written by International Game Technology, published in 2002.

\* cited by examiner

*Primary Examiner*—Sandra L. Morris

(74) *Attorney, Agent, or Firm*—Bell, Boyd & Lloyd LLC

(57) **CLAIM**

The ornamental design for a gaming device having an angled reel display for a gaming device, as shown and described.

**DESCRIPTION**

FIG. 1 is a front perspective view of the angled reel display for a gaming device of our new design, that portion of the

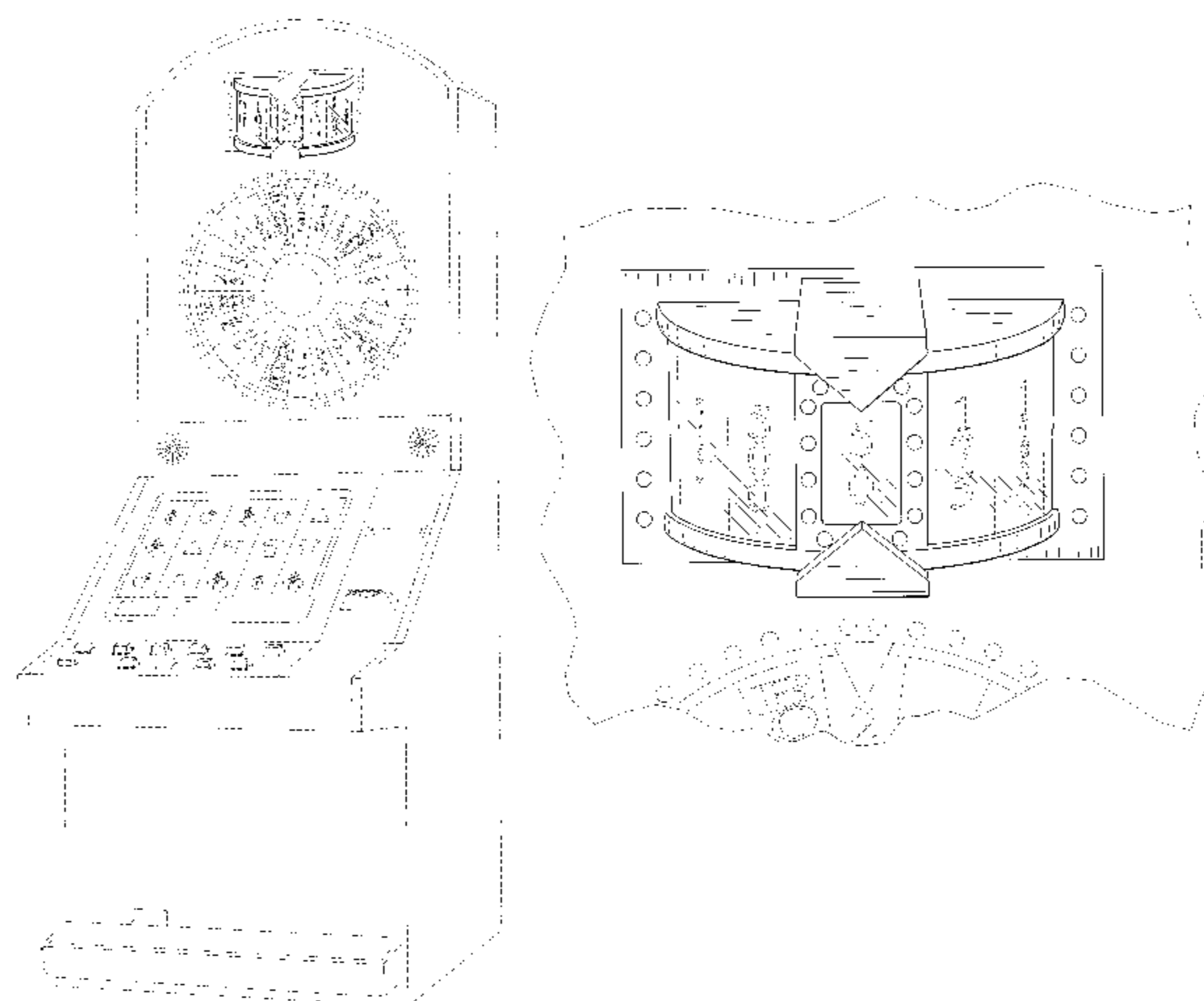






FIG. **31** is a top plan view of the alternative embodiment of the angled reel display for a gaming device of our new design illustrated in FIG. **29**;

FIG. **32** is a front perspective view of an alternative embodiment of the angled reel display for a gaming device of our new design, that portion of the gaming device shown in phantom is not part of the design sought to be patented and is provided for environmental purposes only; and,

FIG. **33** is a left side elevation view of the alternative embodiment of the angled reel display for a gaming device of our new design illustrated in FIG. **32**, the right side being a mirror image thereof.

**1 Claim, 23 Drawing Sheets**

FIG. 1

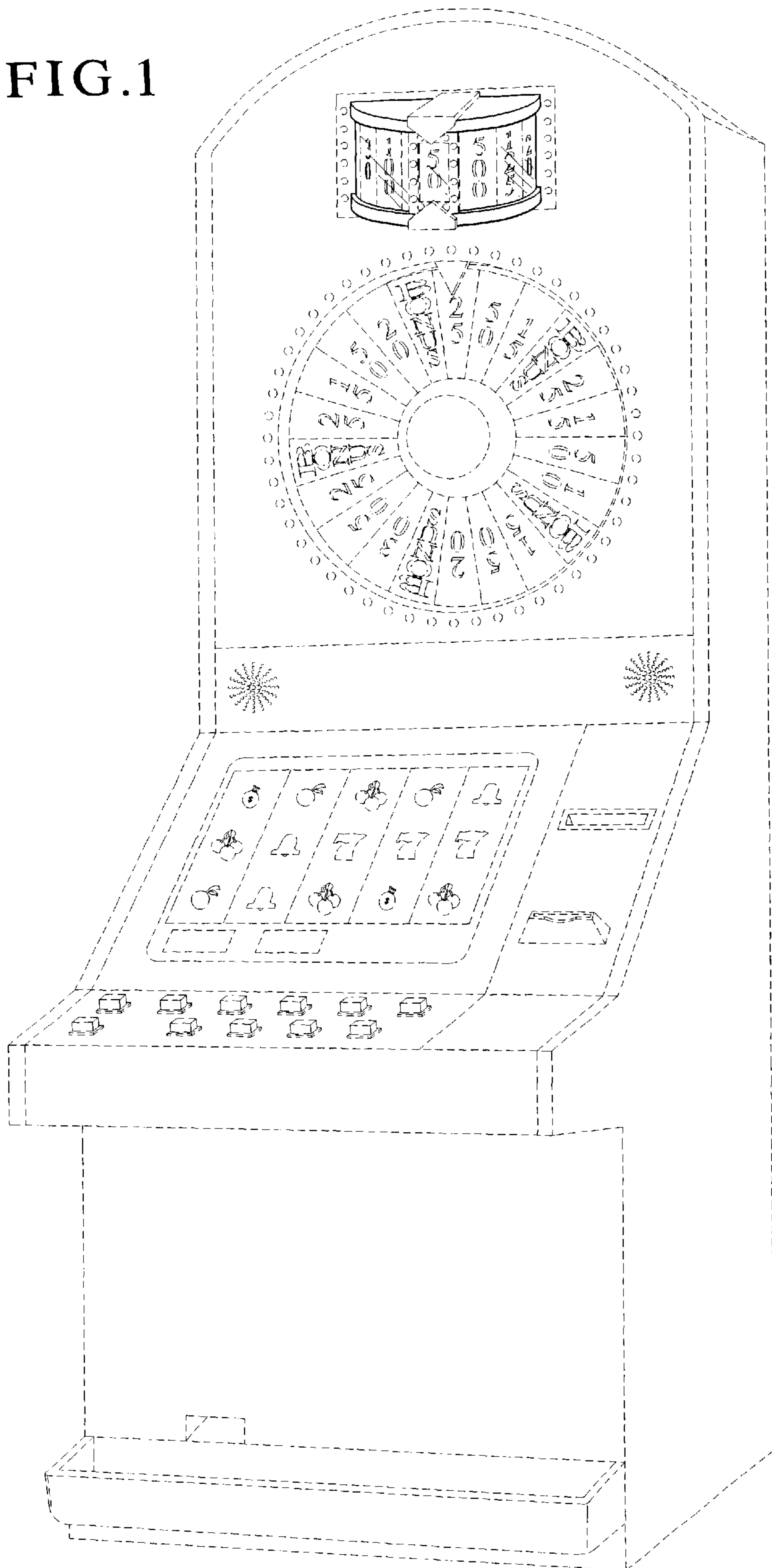




FIG. 2

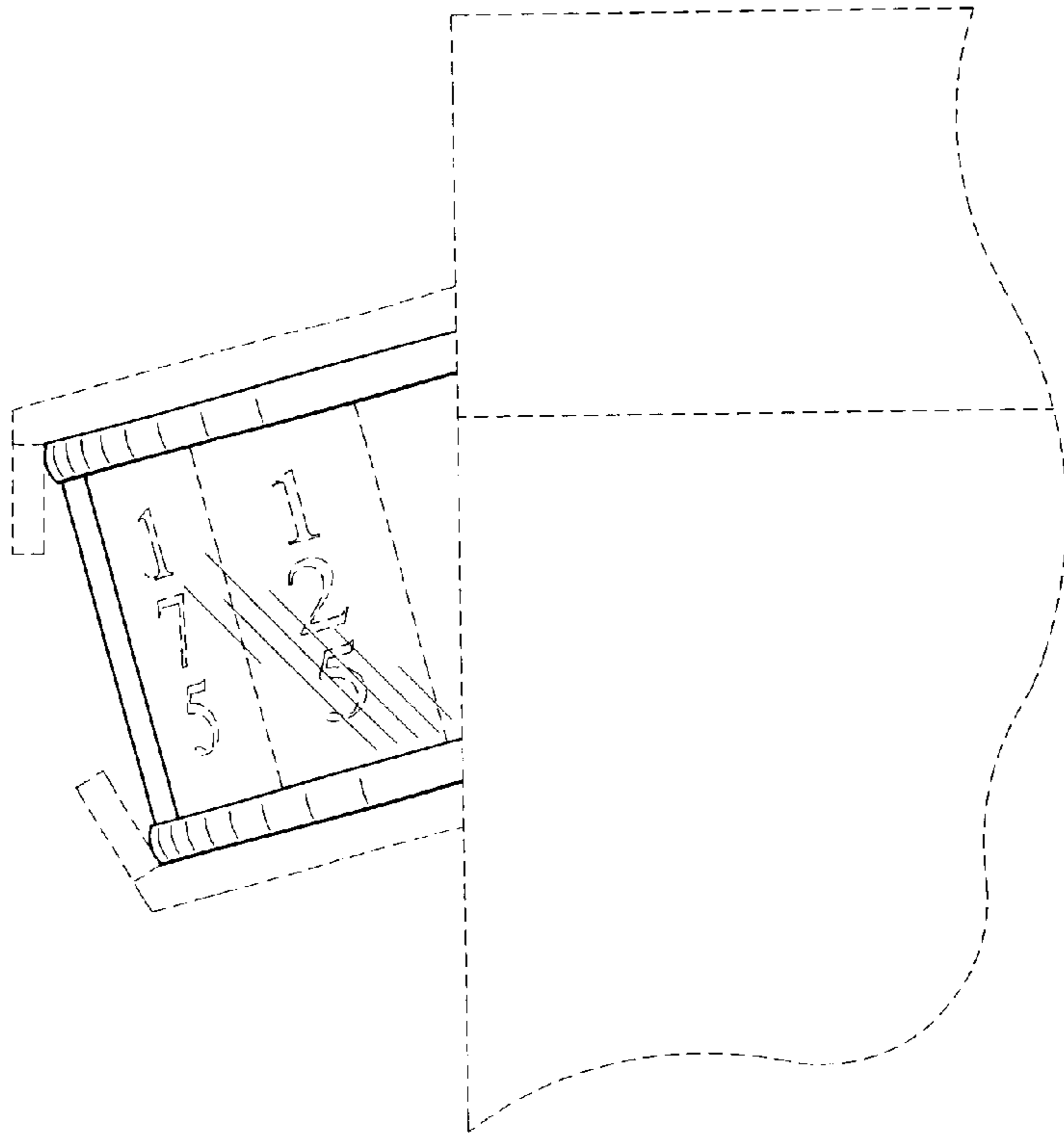
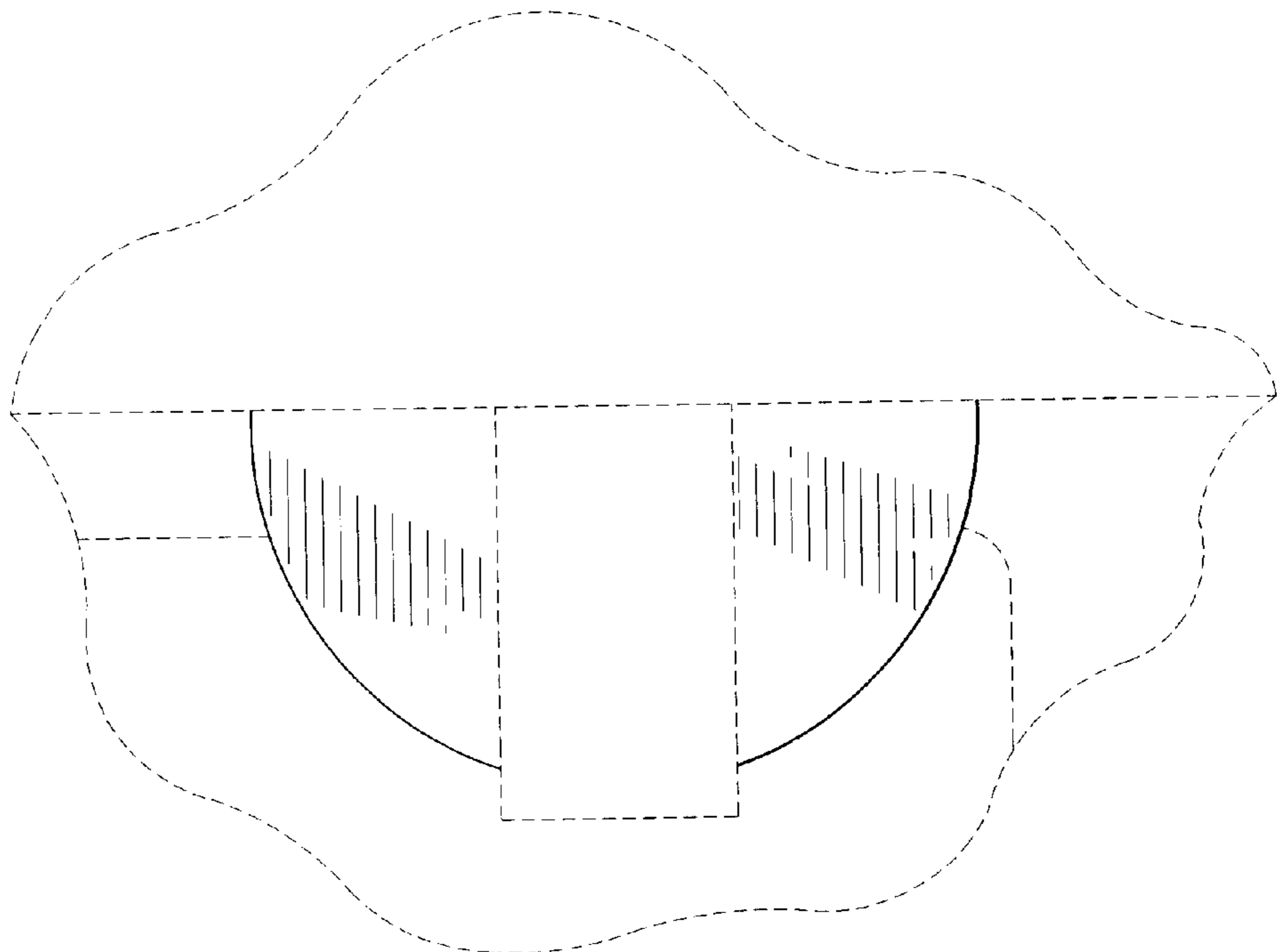


FIG. 3



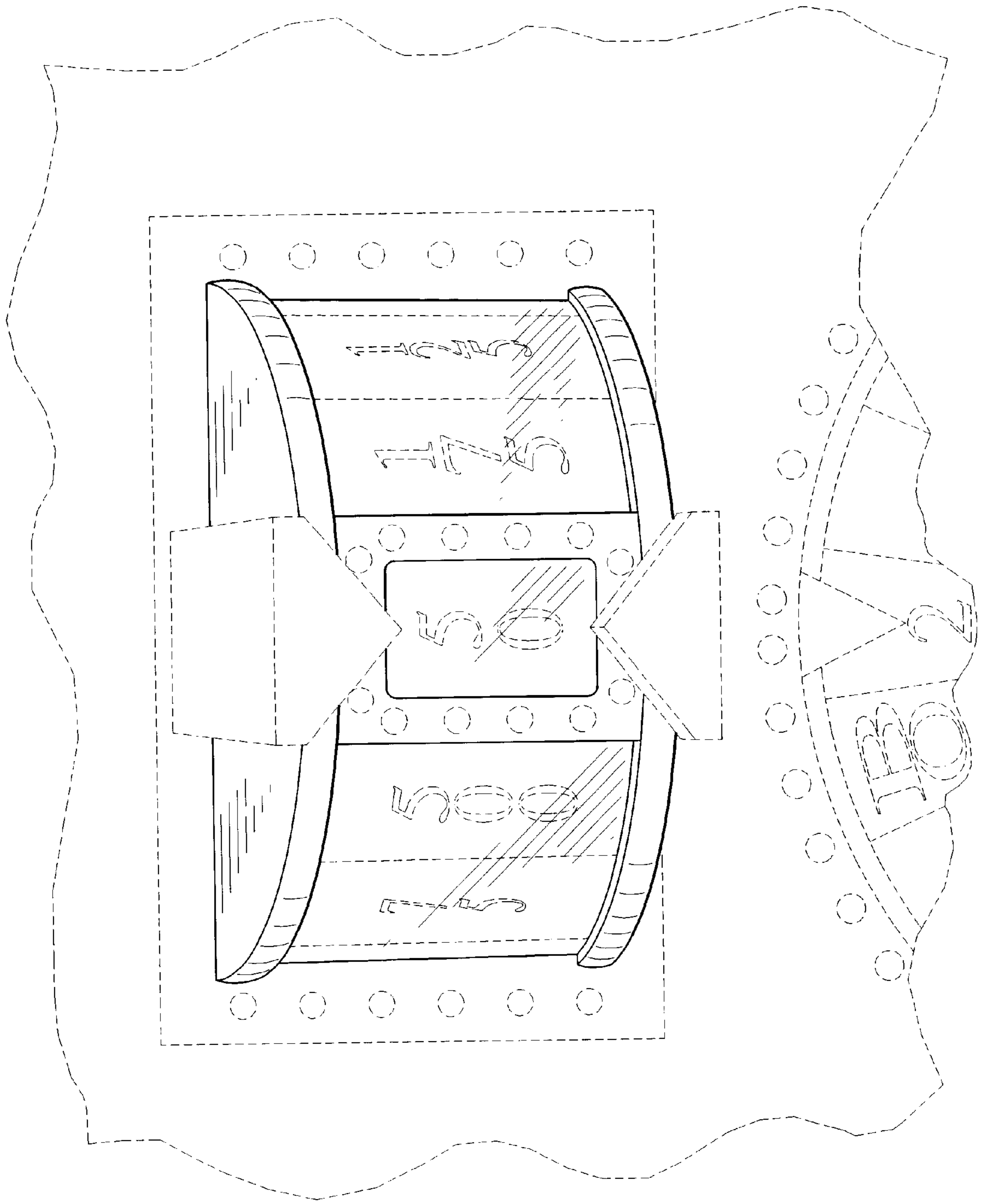


FIG. 4

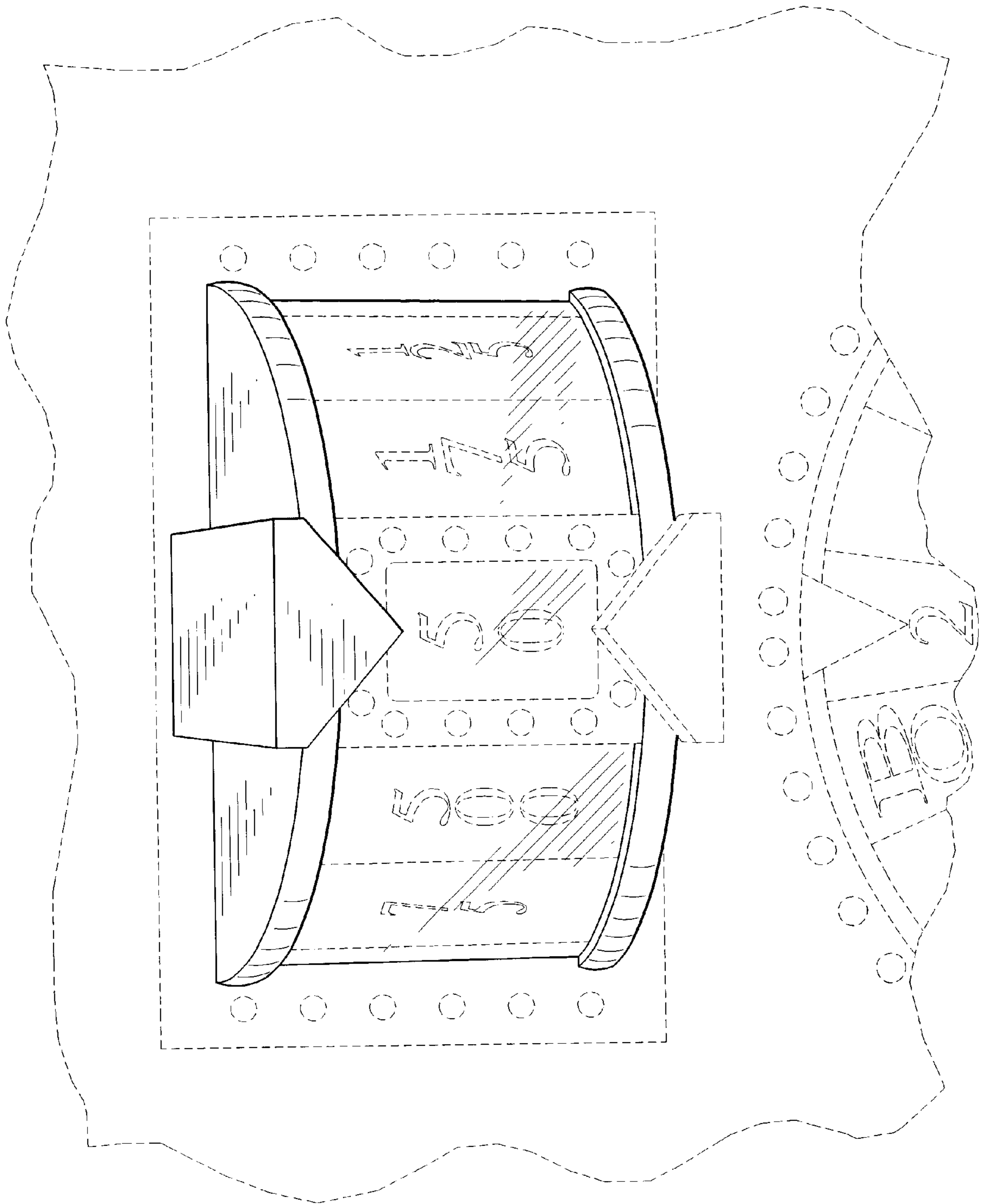


FIG. 5

FIG. 6

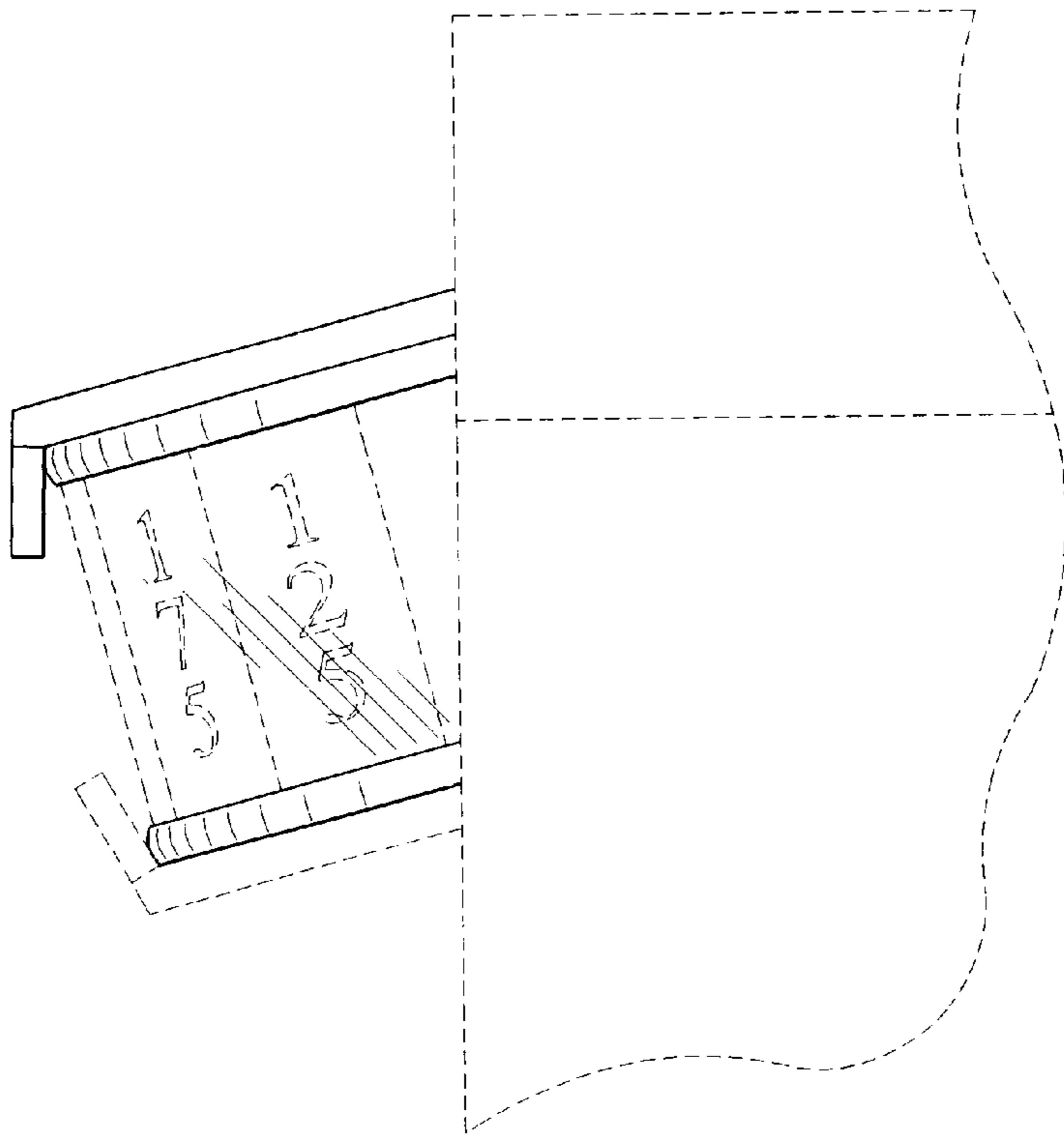
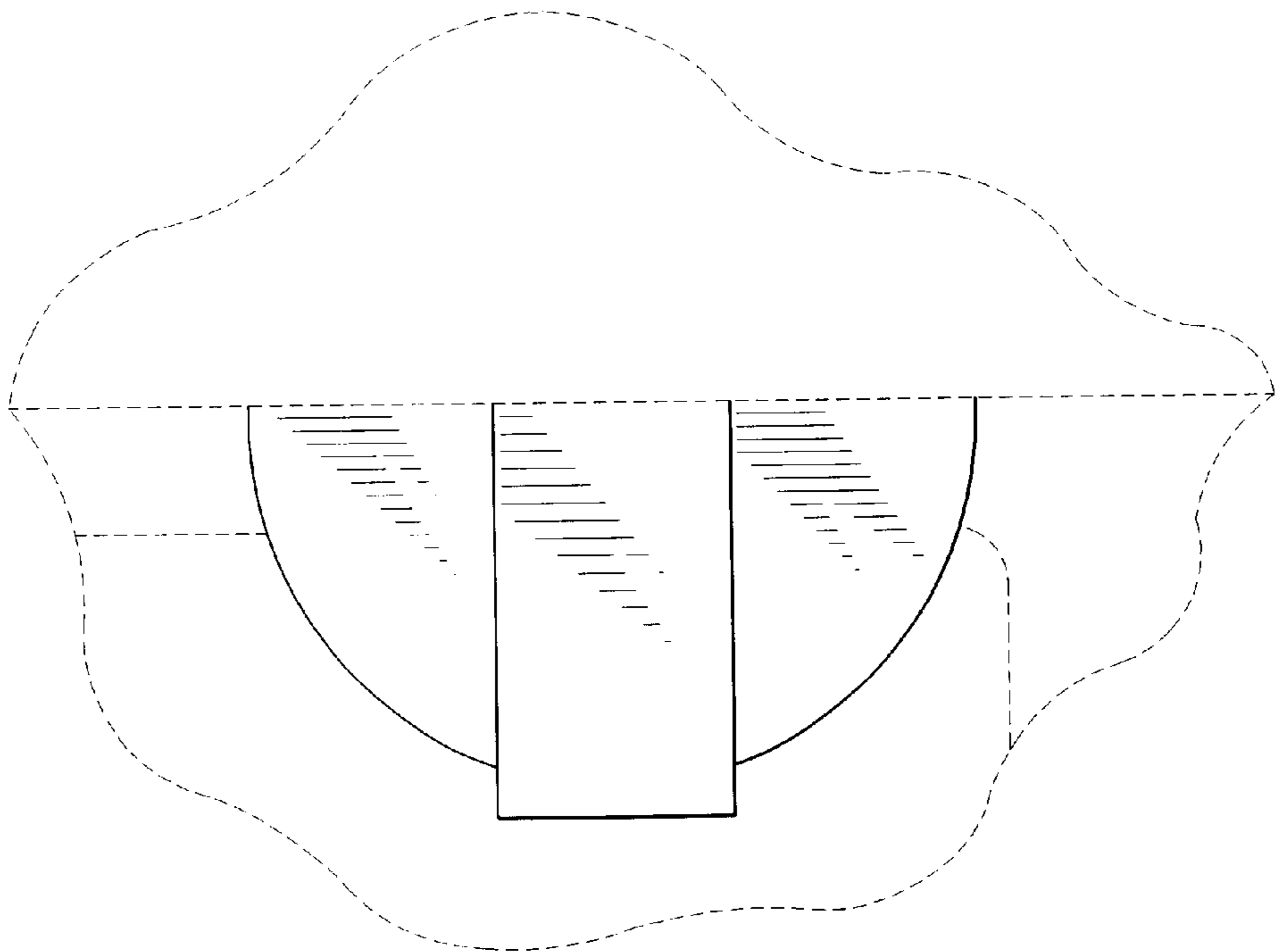


FIG. 7





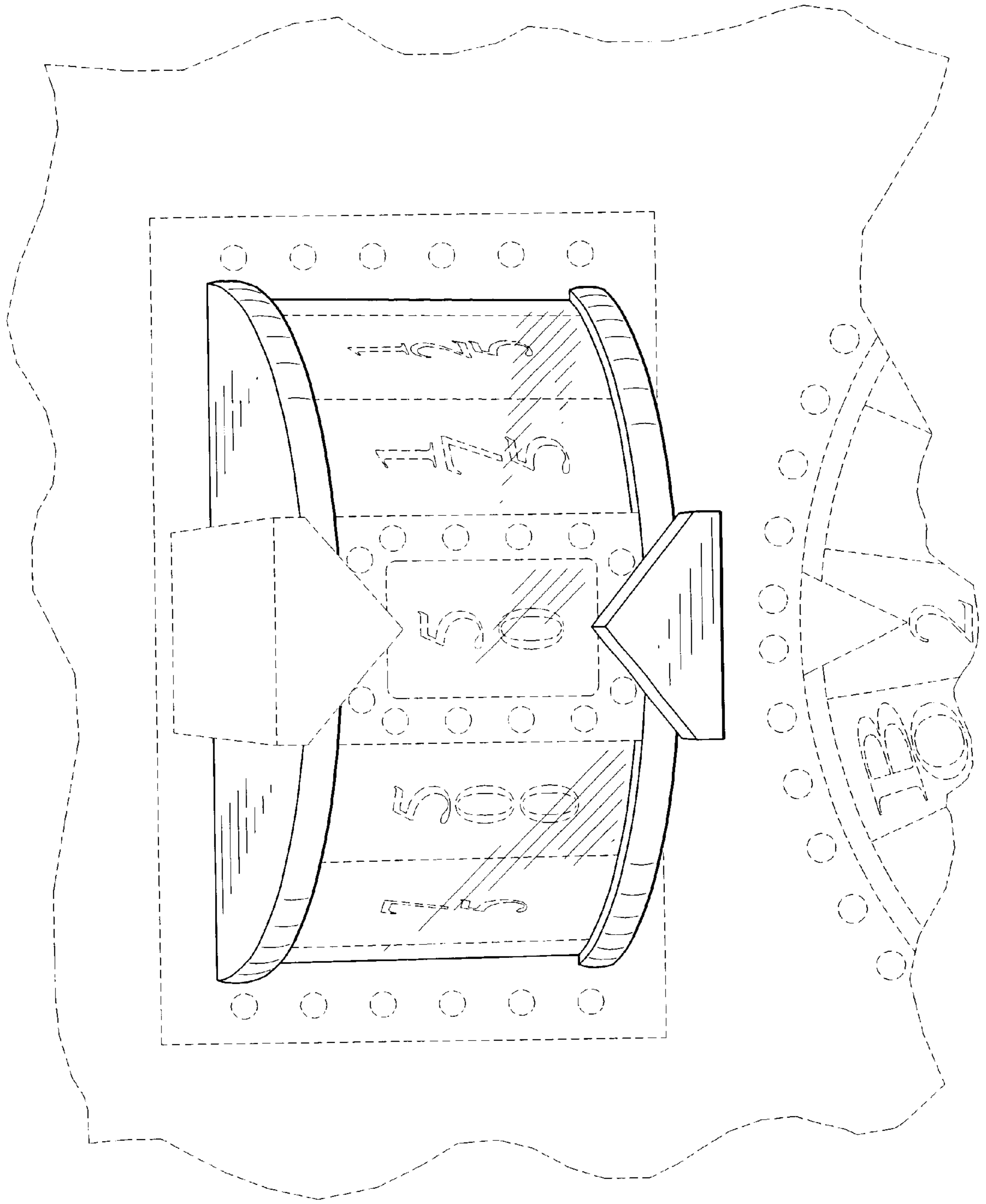


FIG. 8

FIG.9

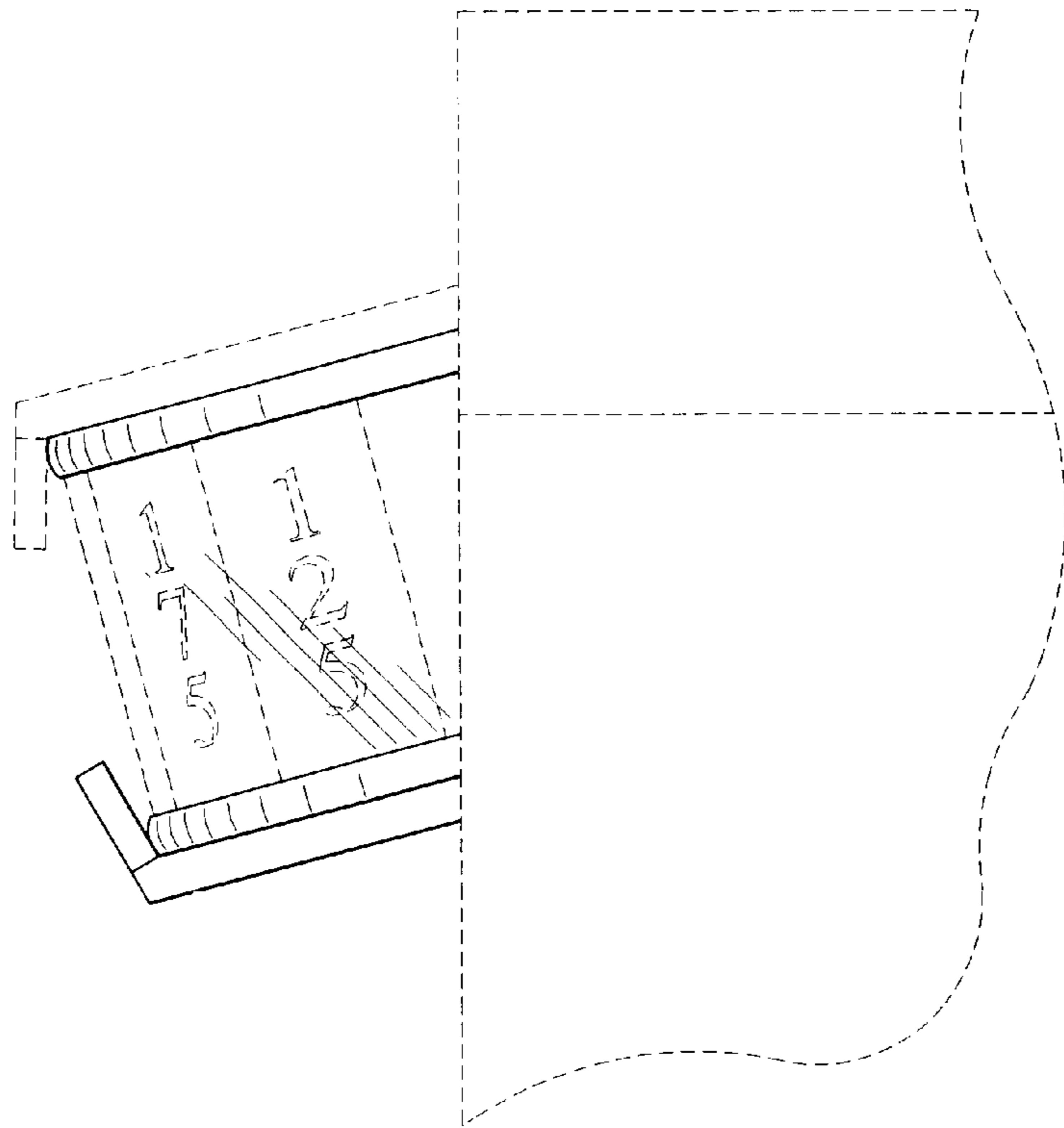
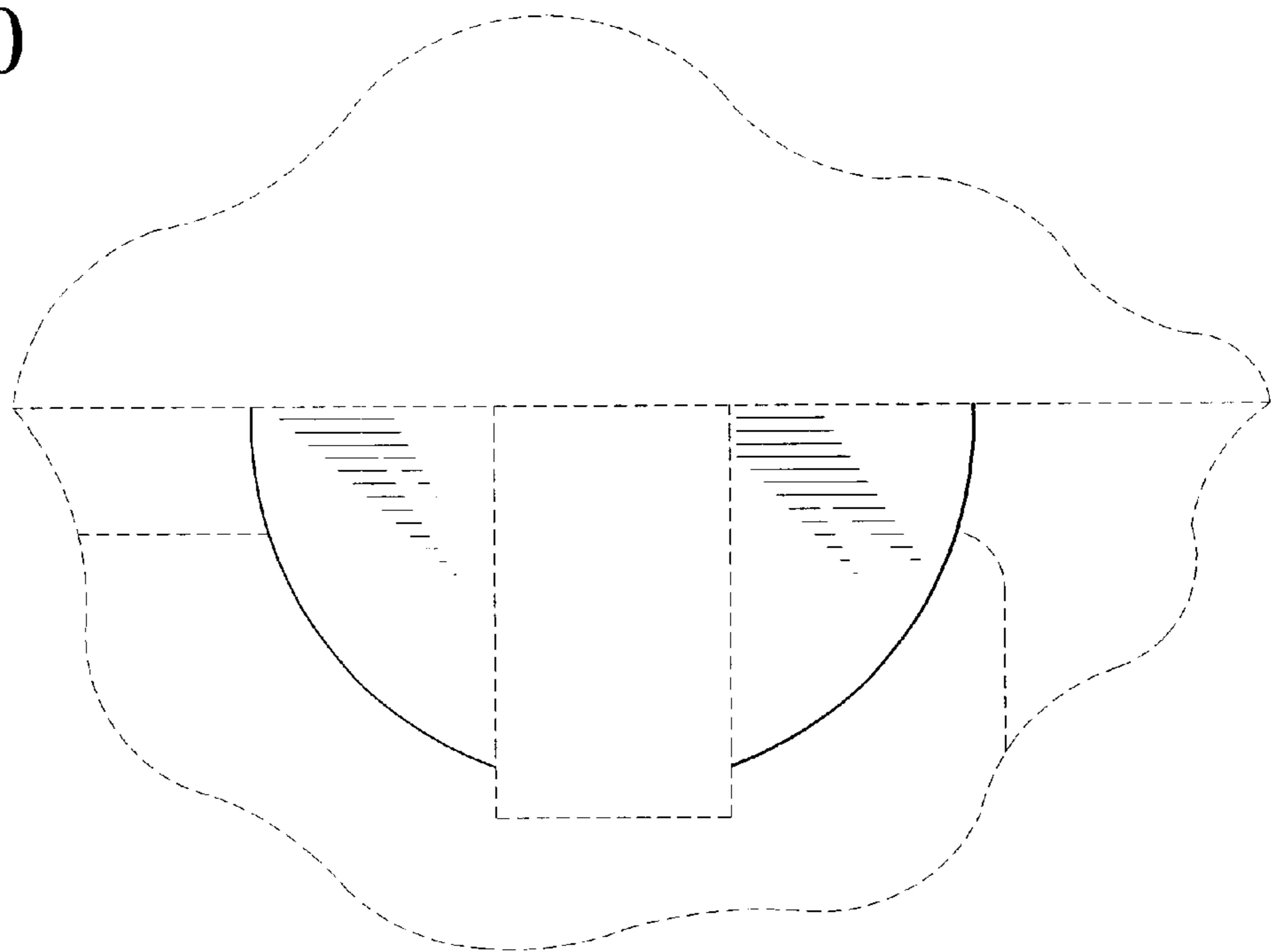


FIG.10



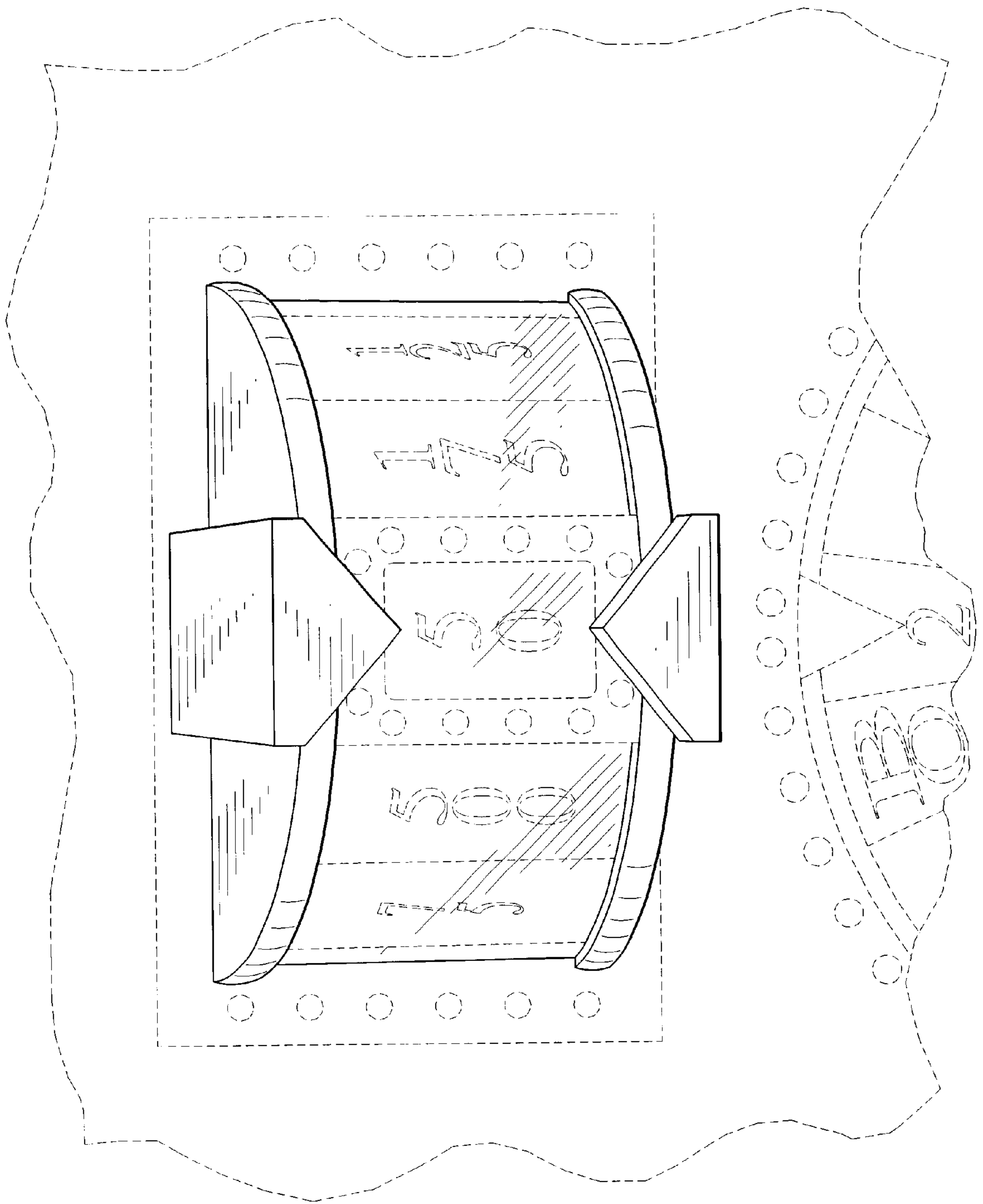


FIG.11

FIG.12

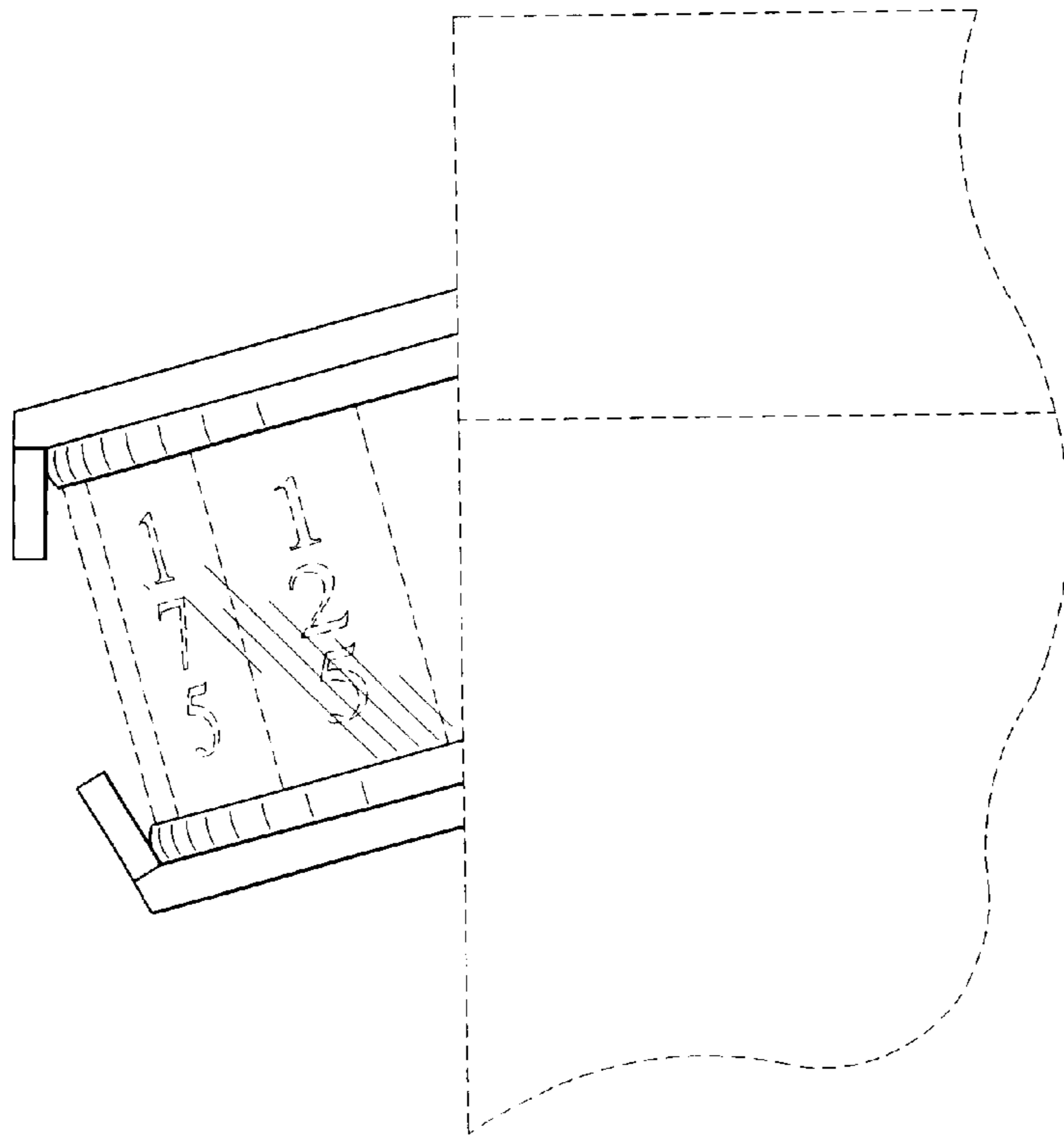
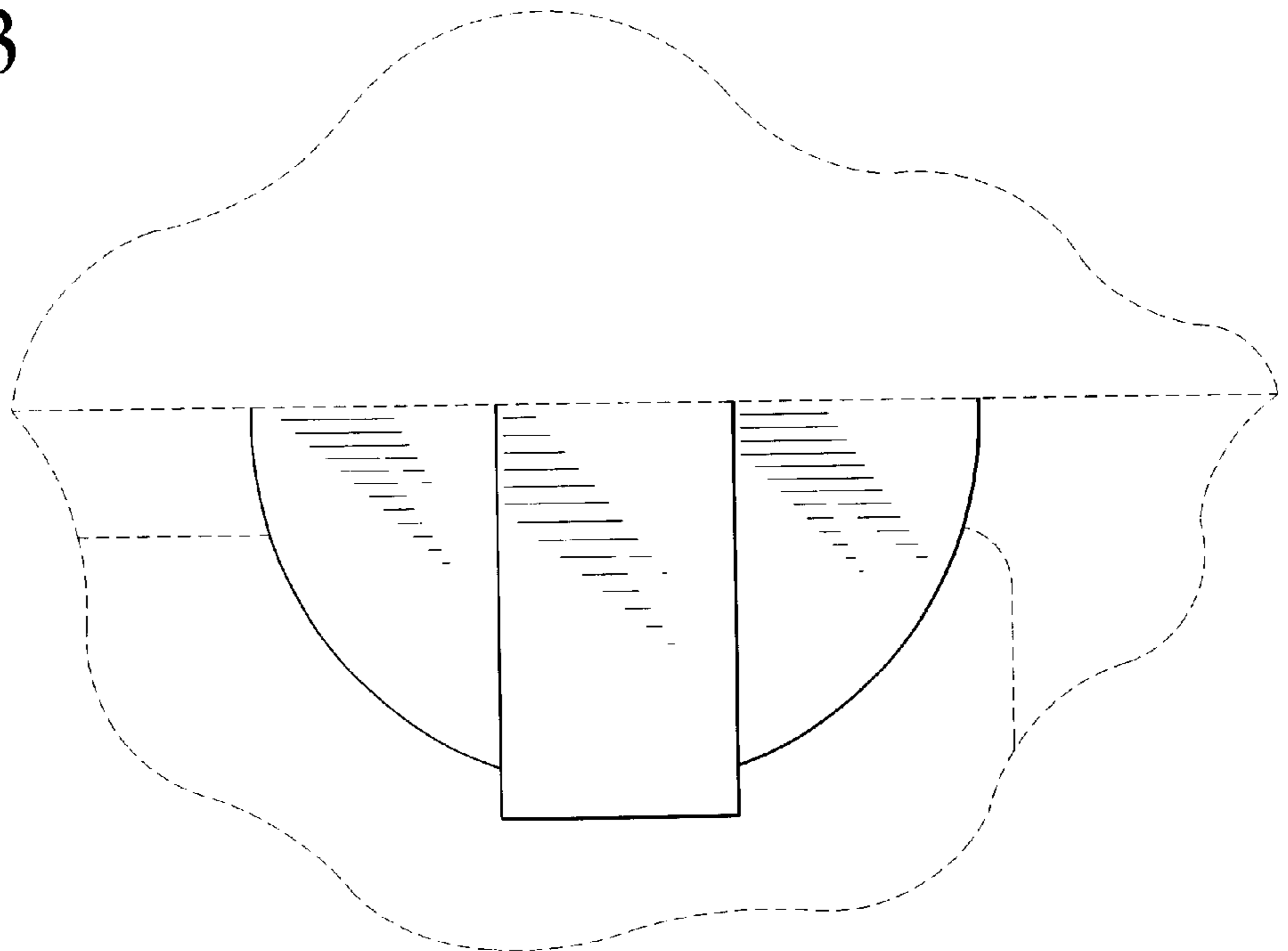


FIG.13





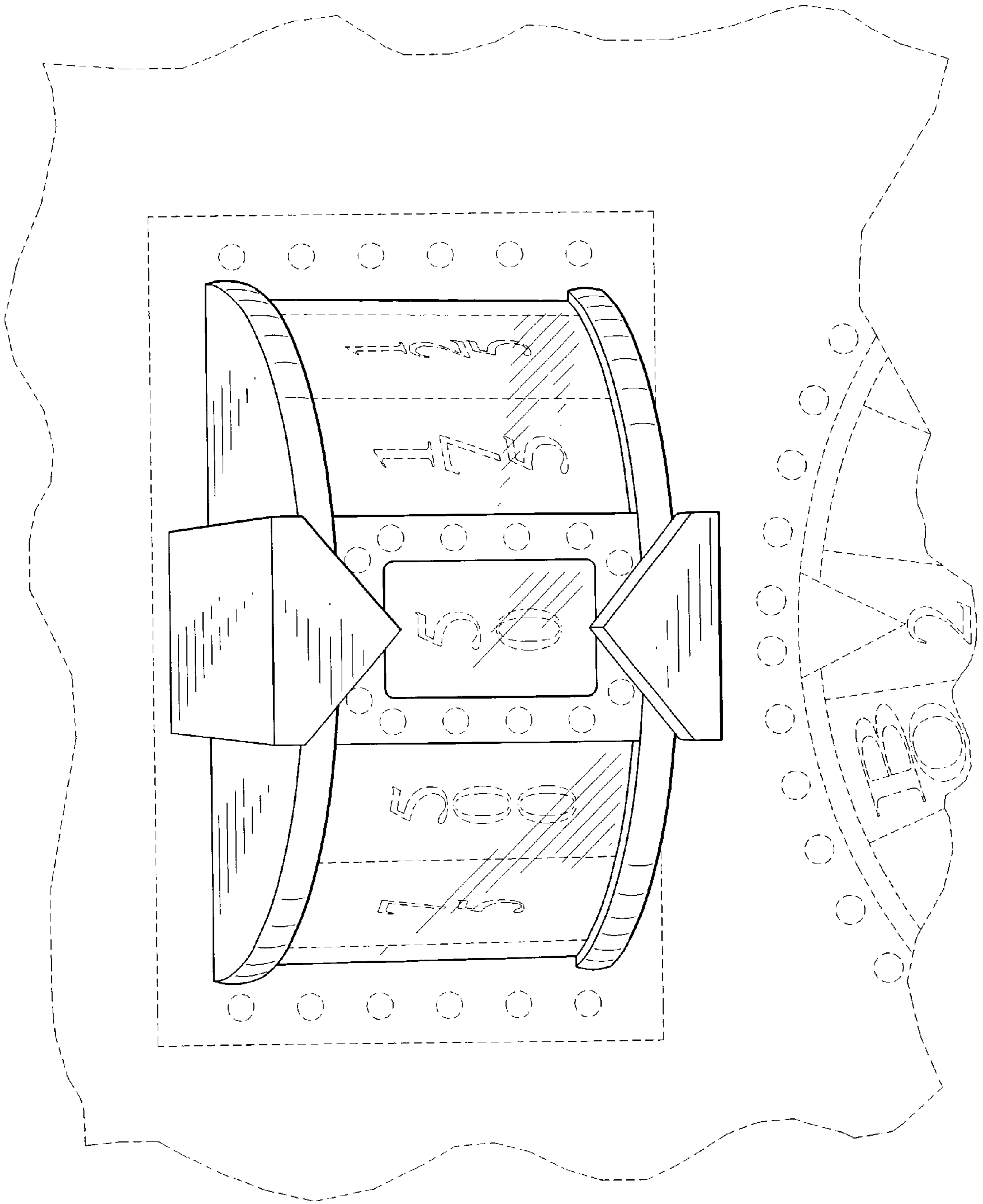


FIG.14

FIG.15

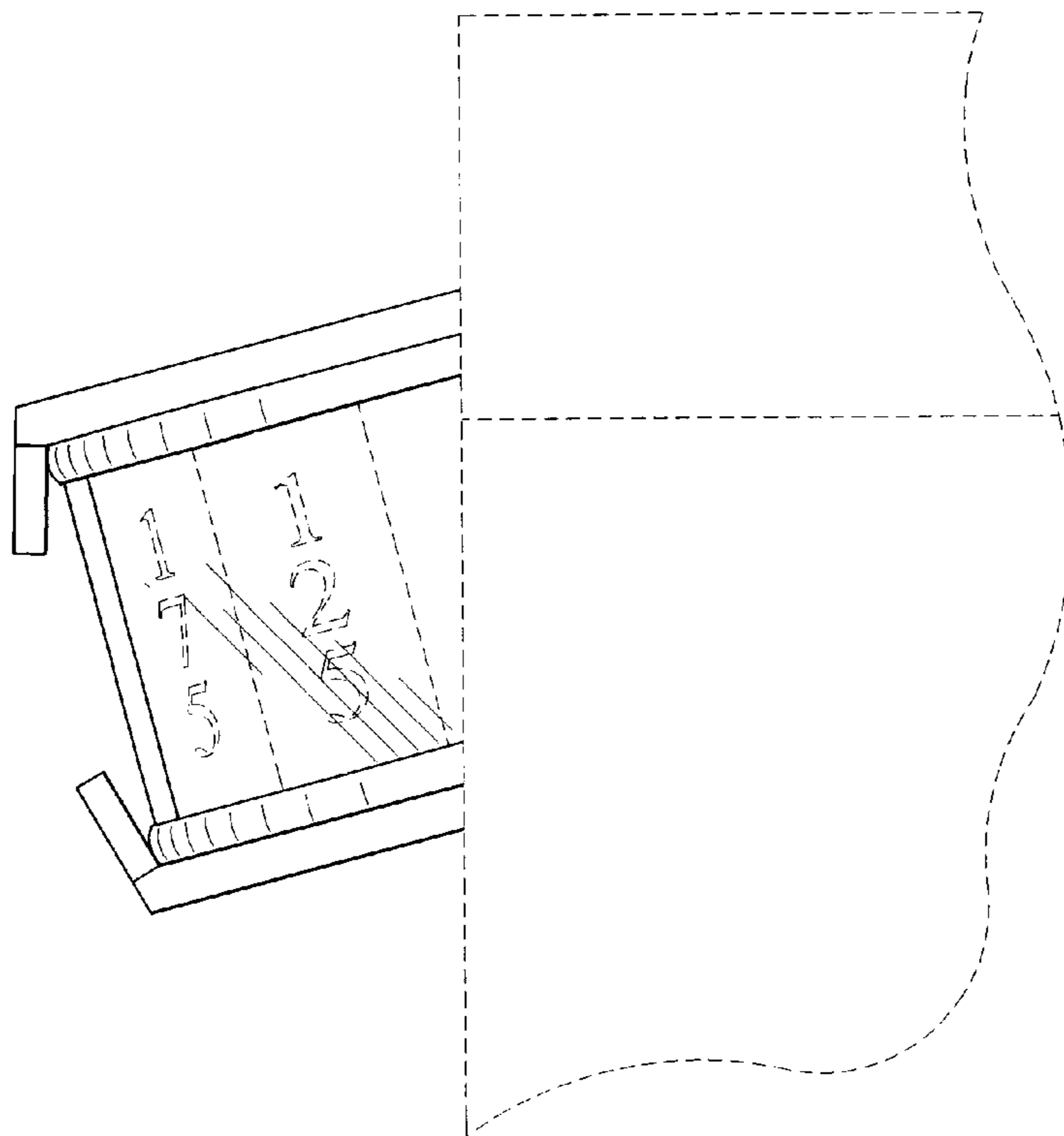
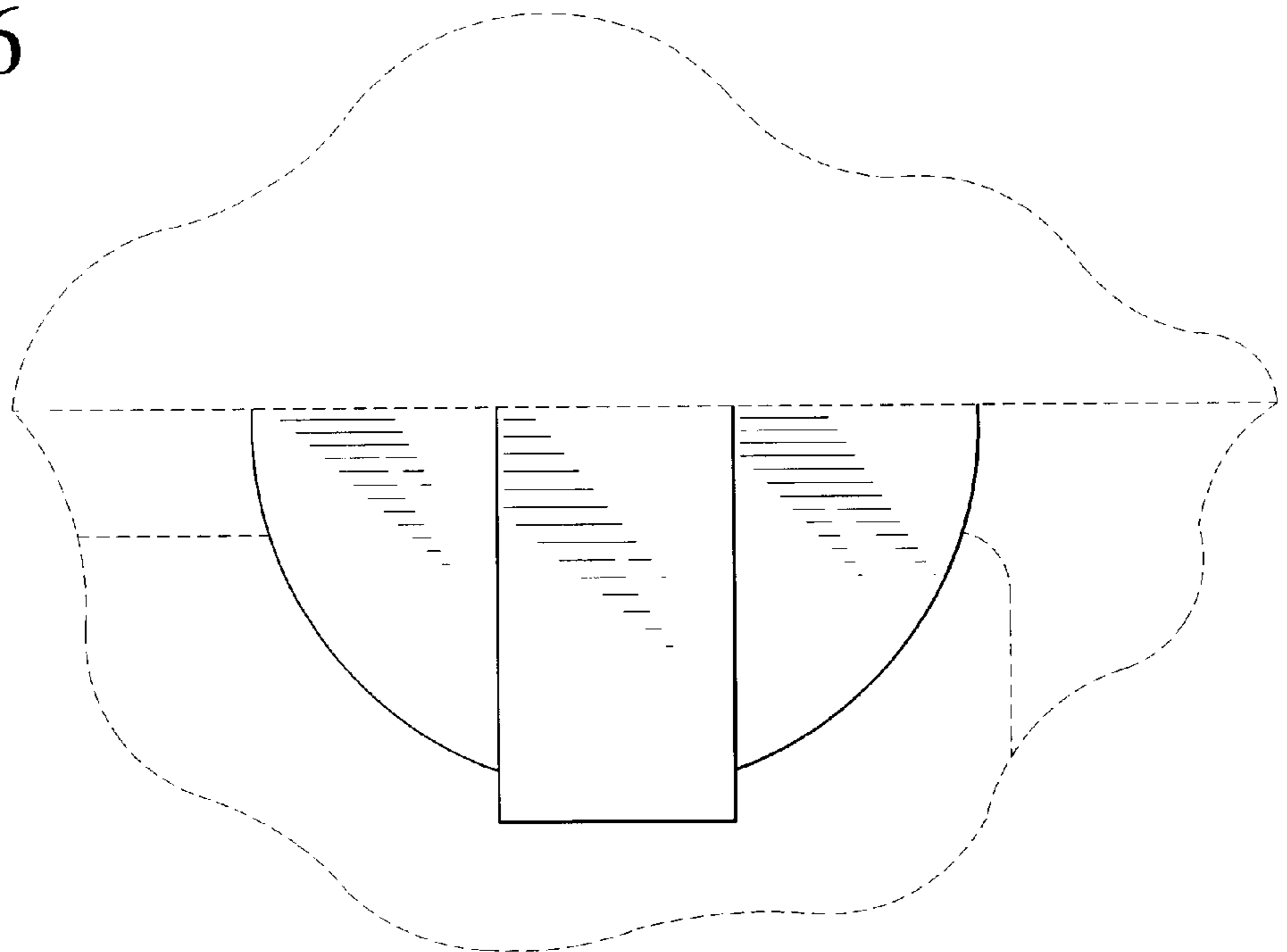


FIG.16



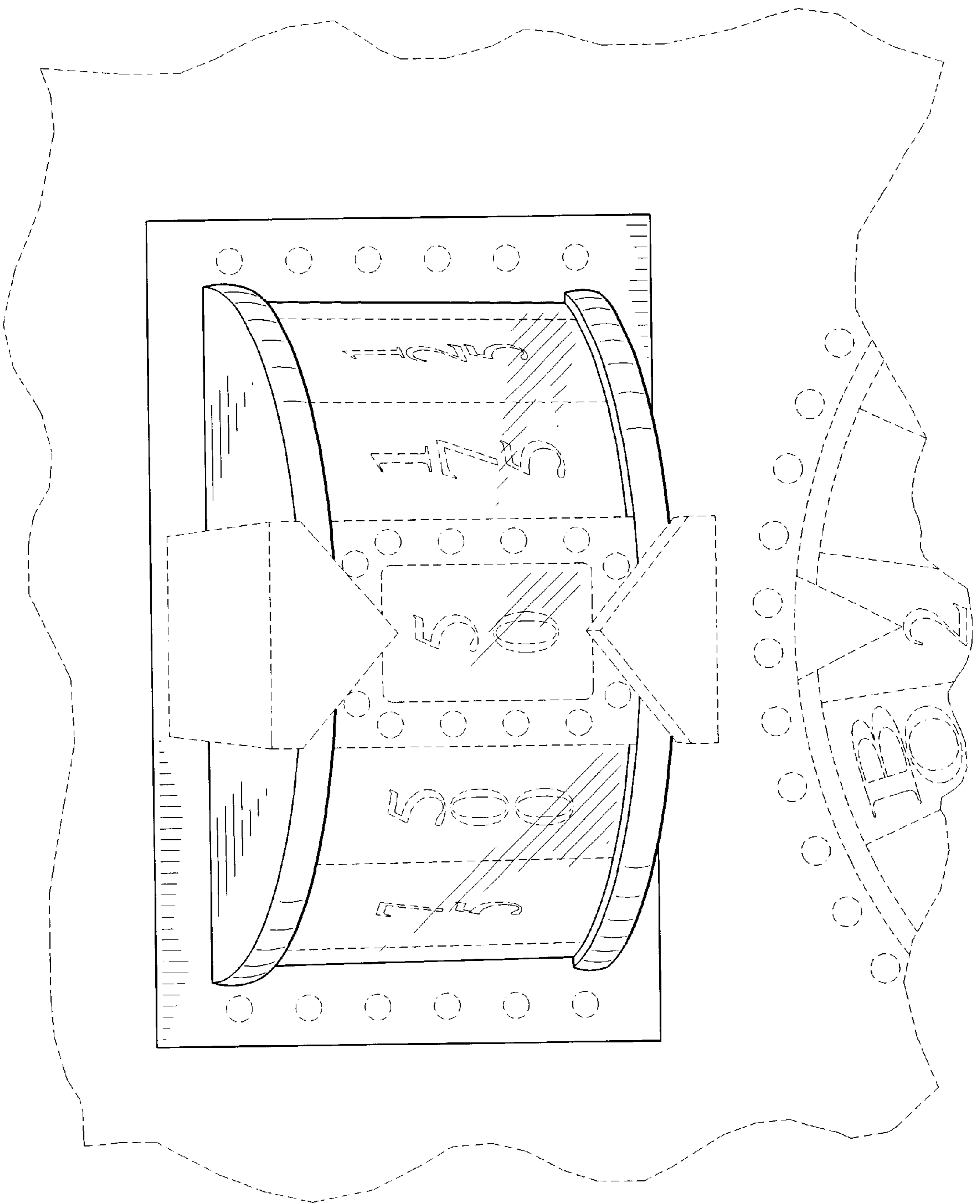


FIG.17

FIG.18

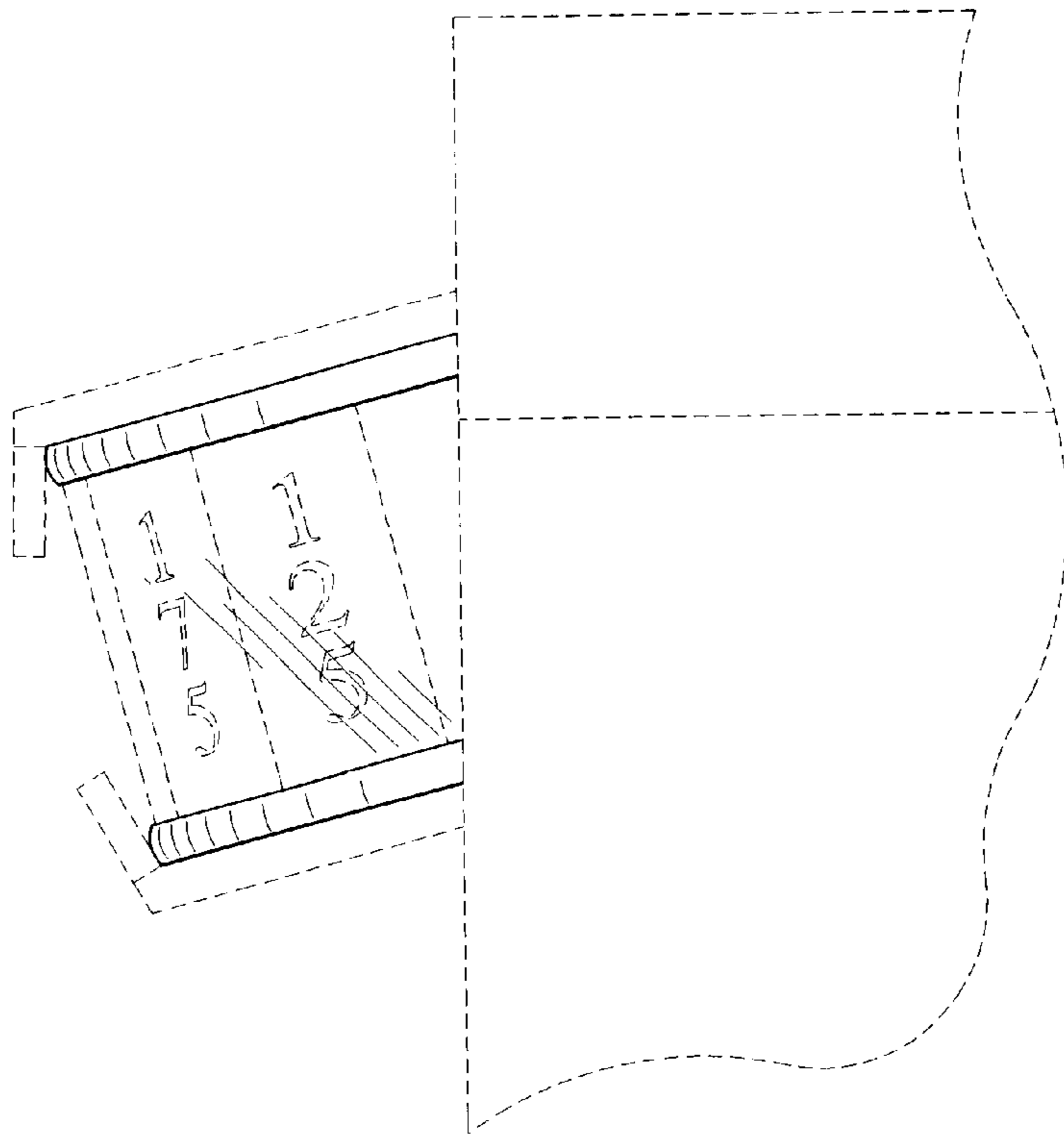
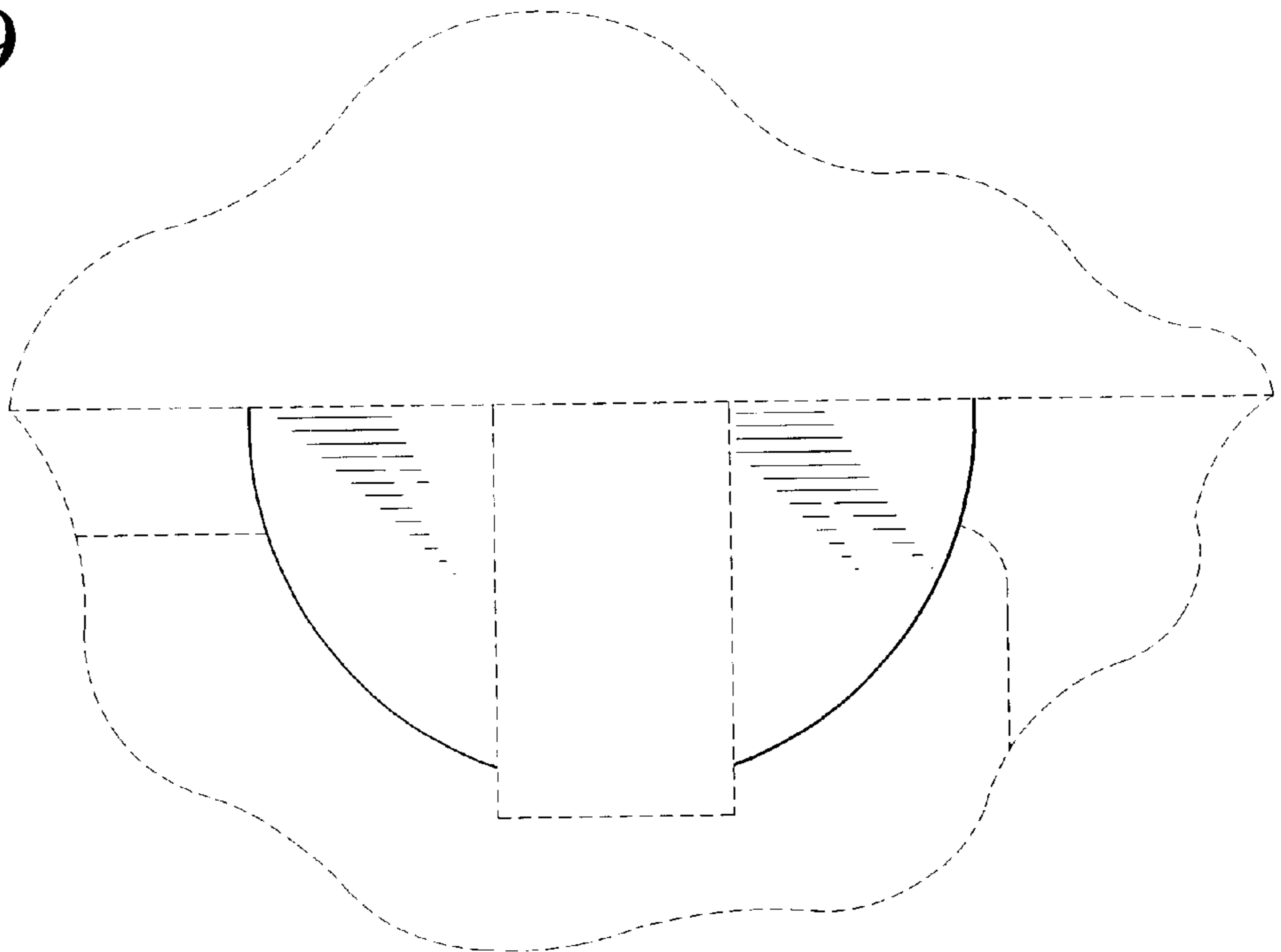


FIG.19





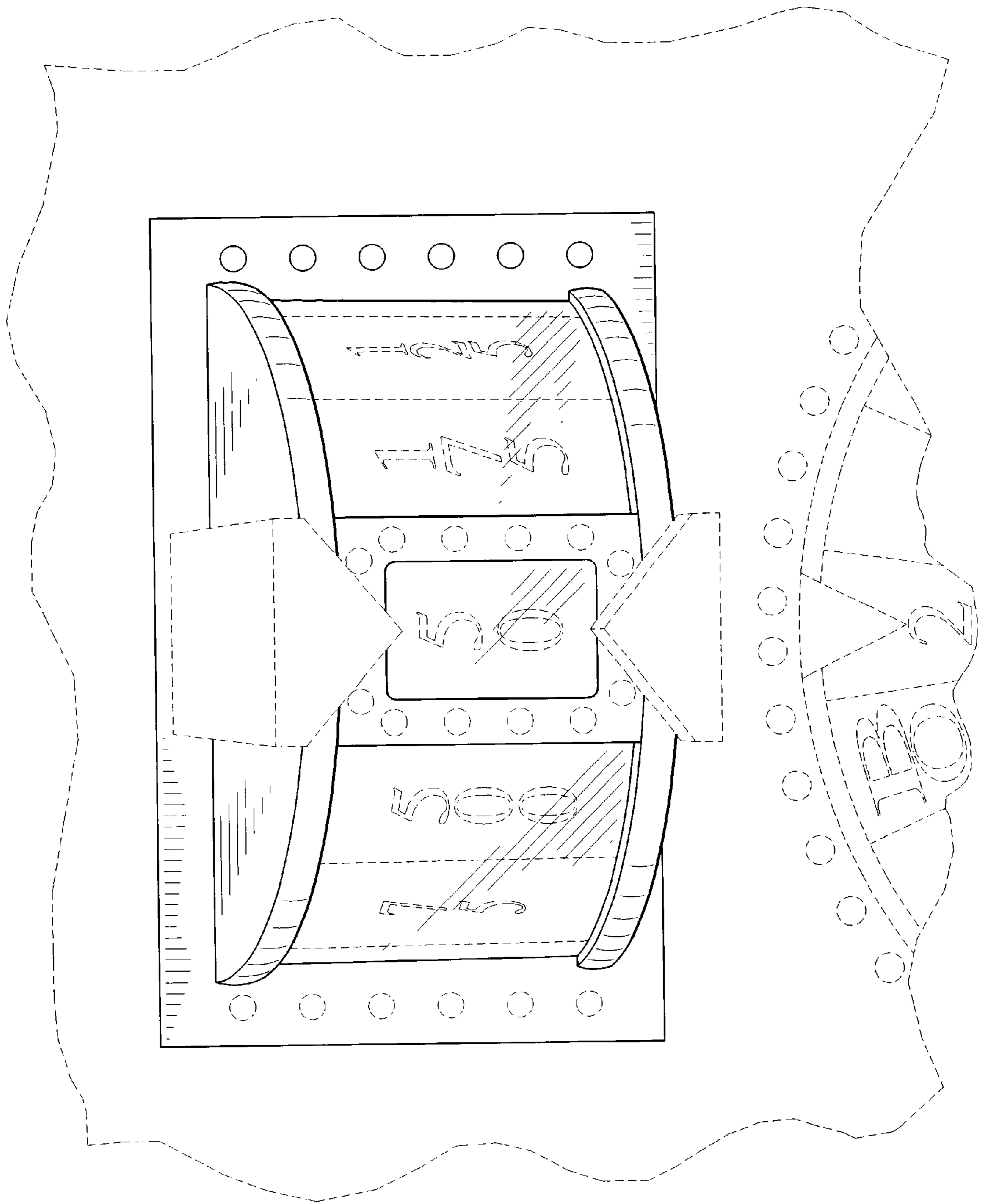


FIG. 20

FIG. 21

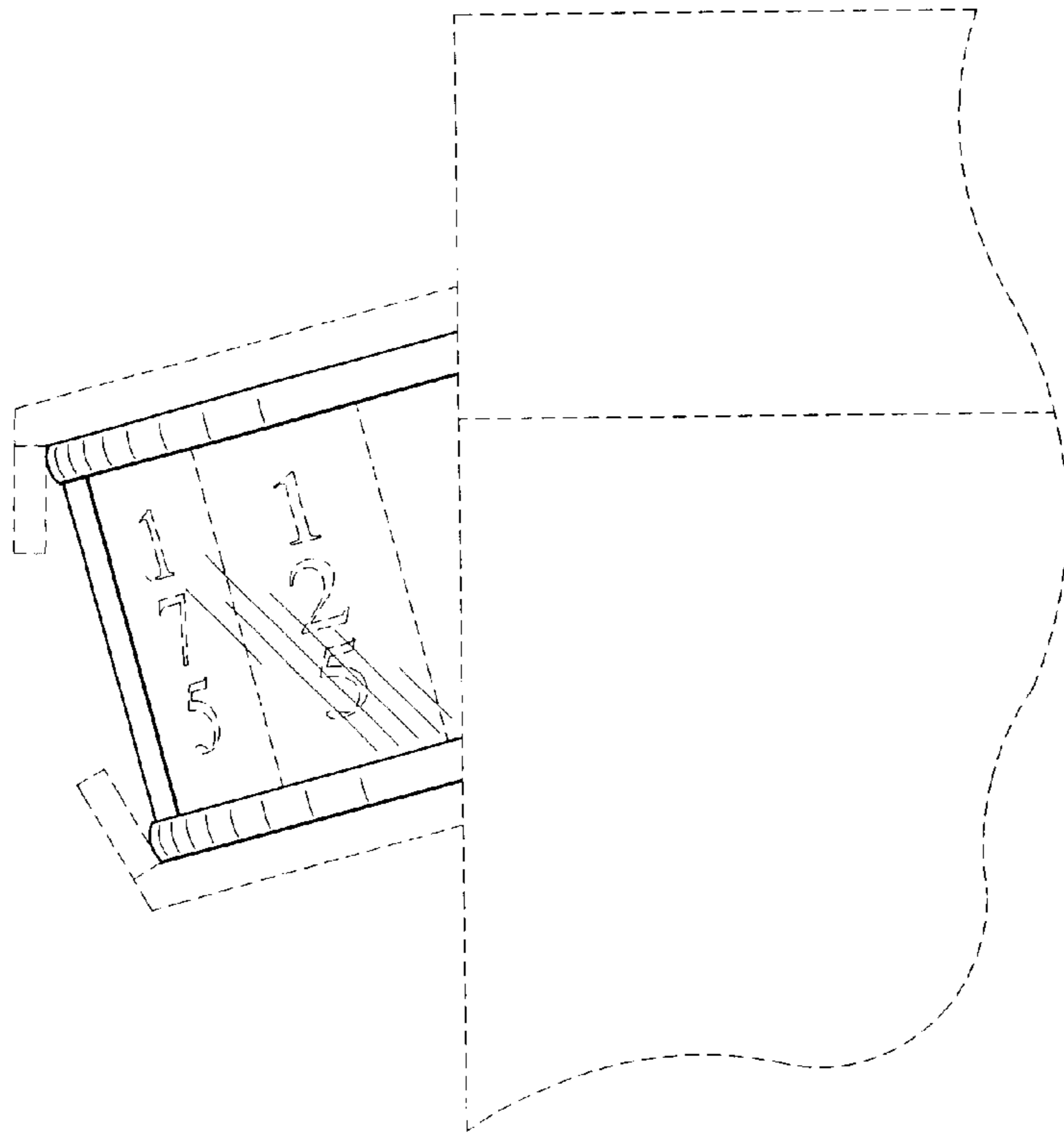
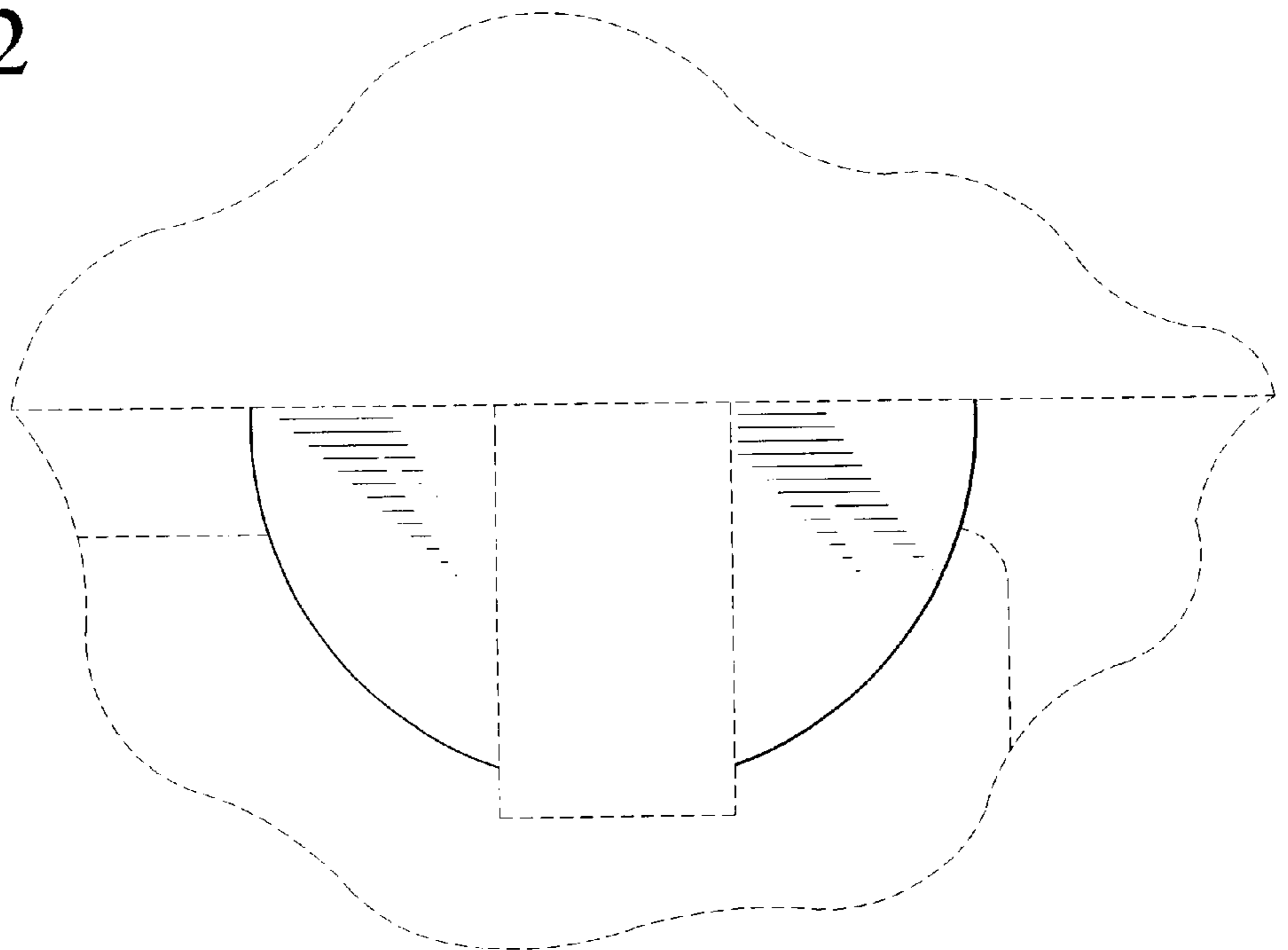


FIG. 22



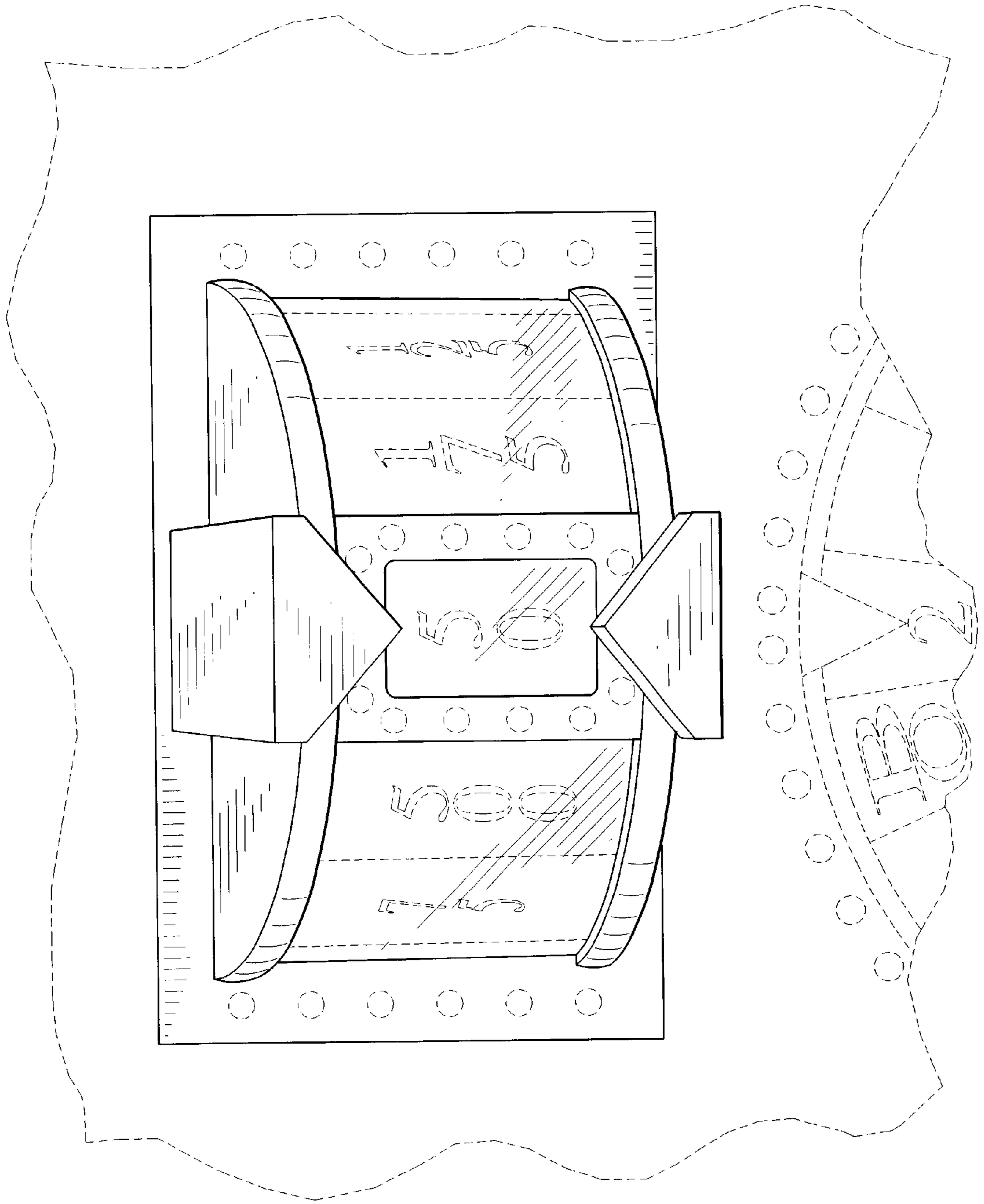


FIG. 23

FIG. 24

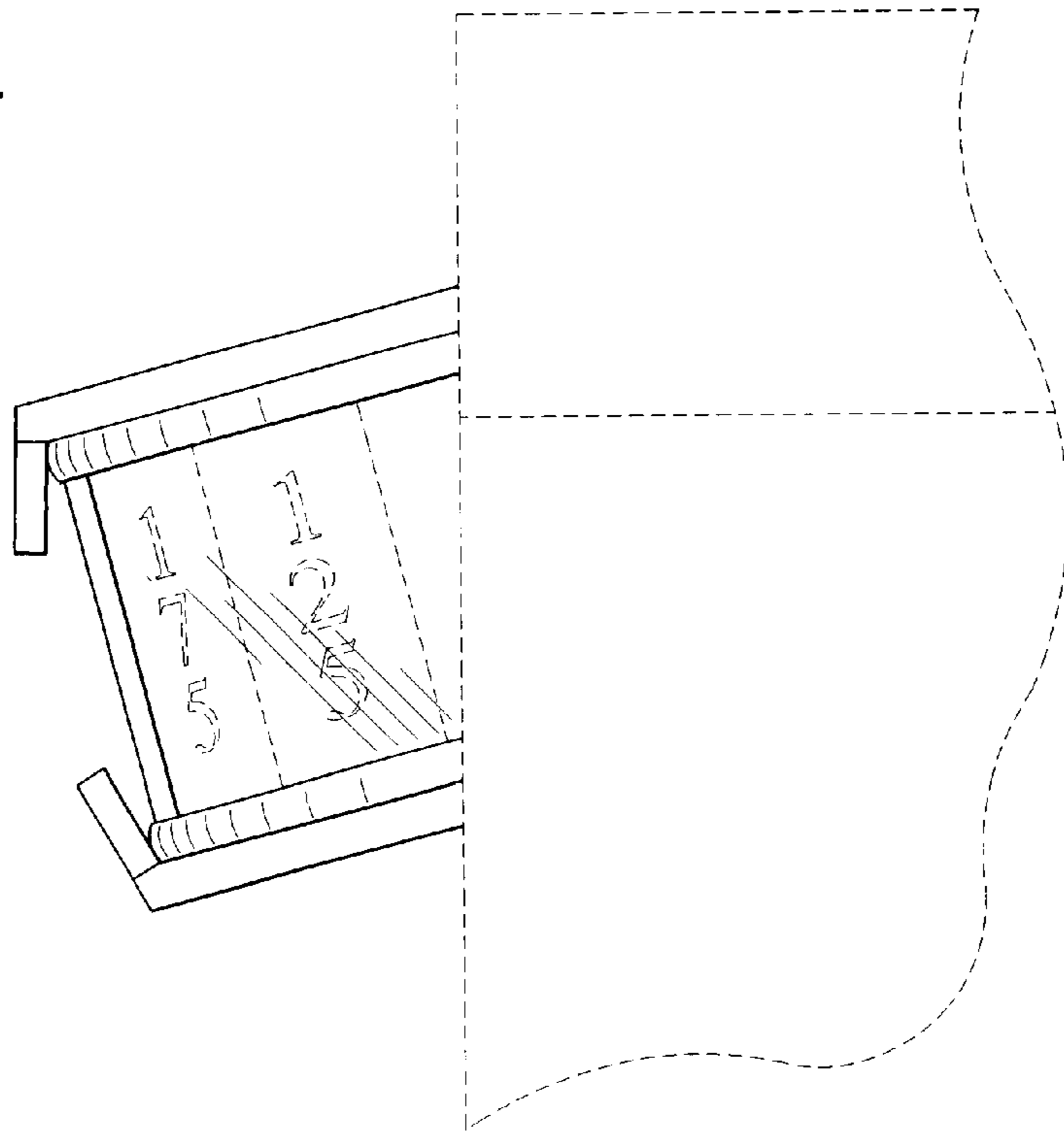
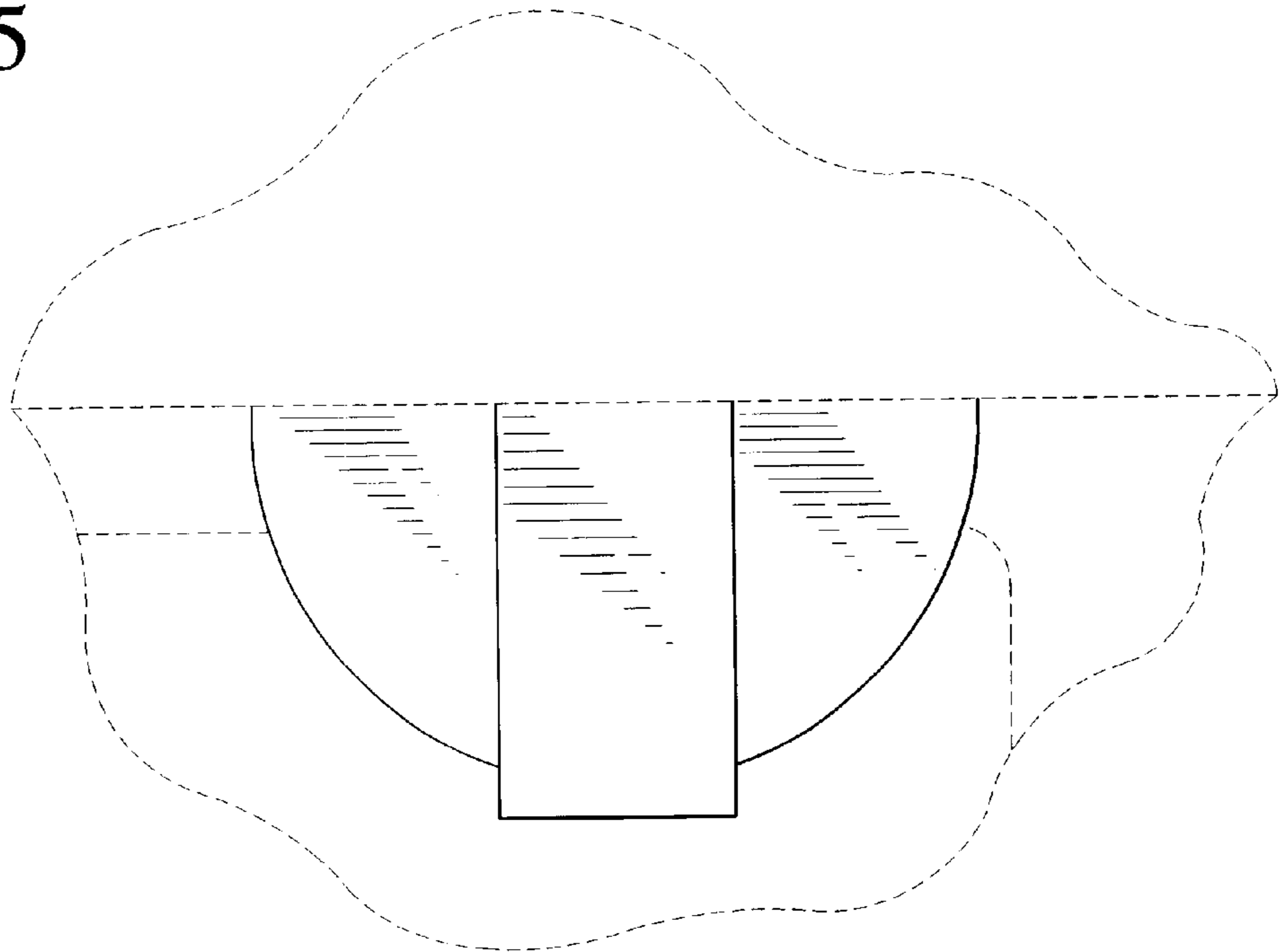


FIG. 25





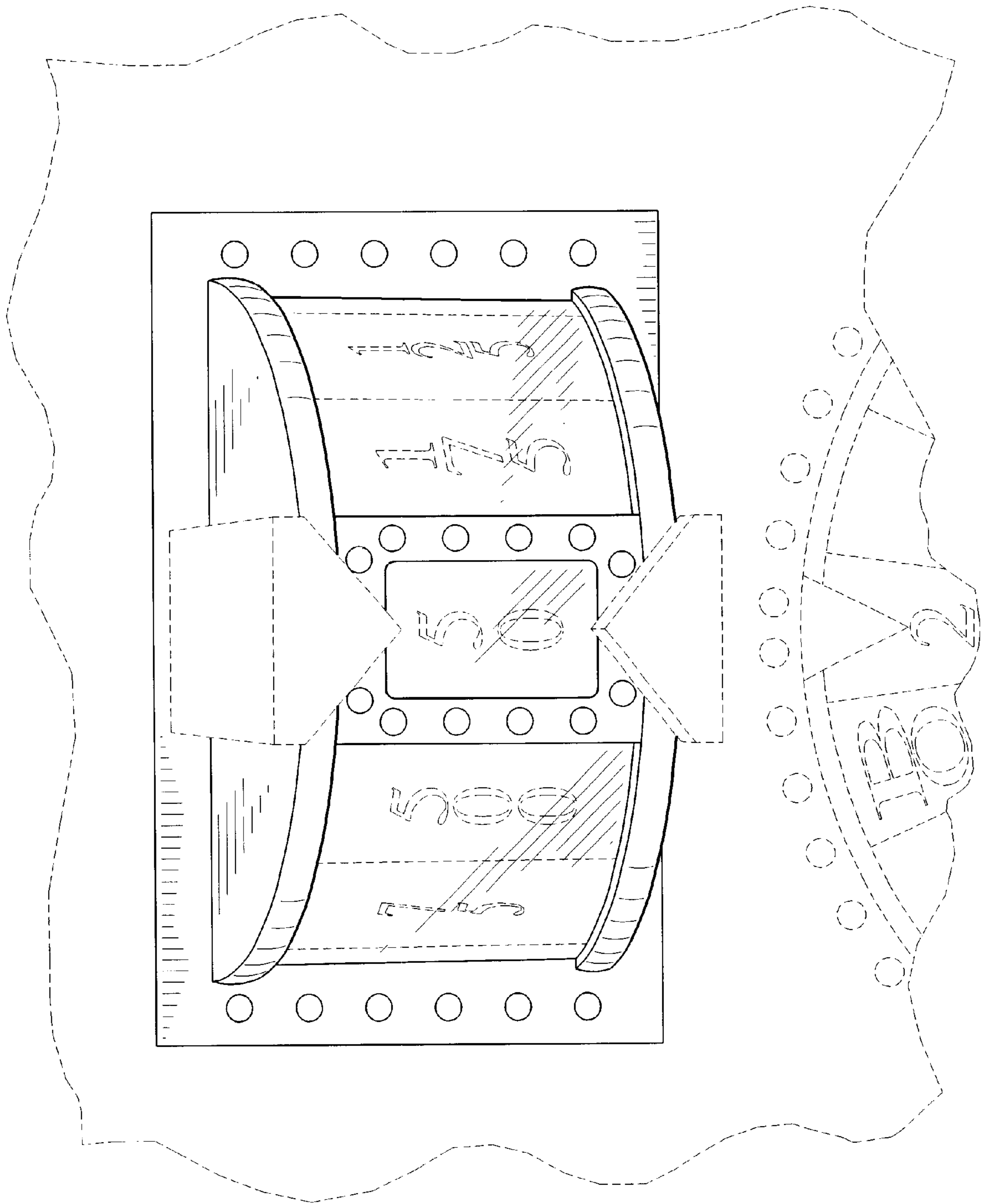


FIG. 26

FIG. 27

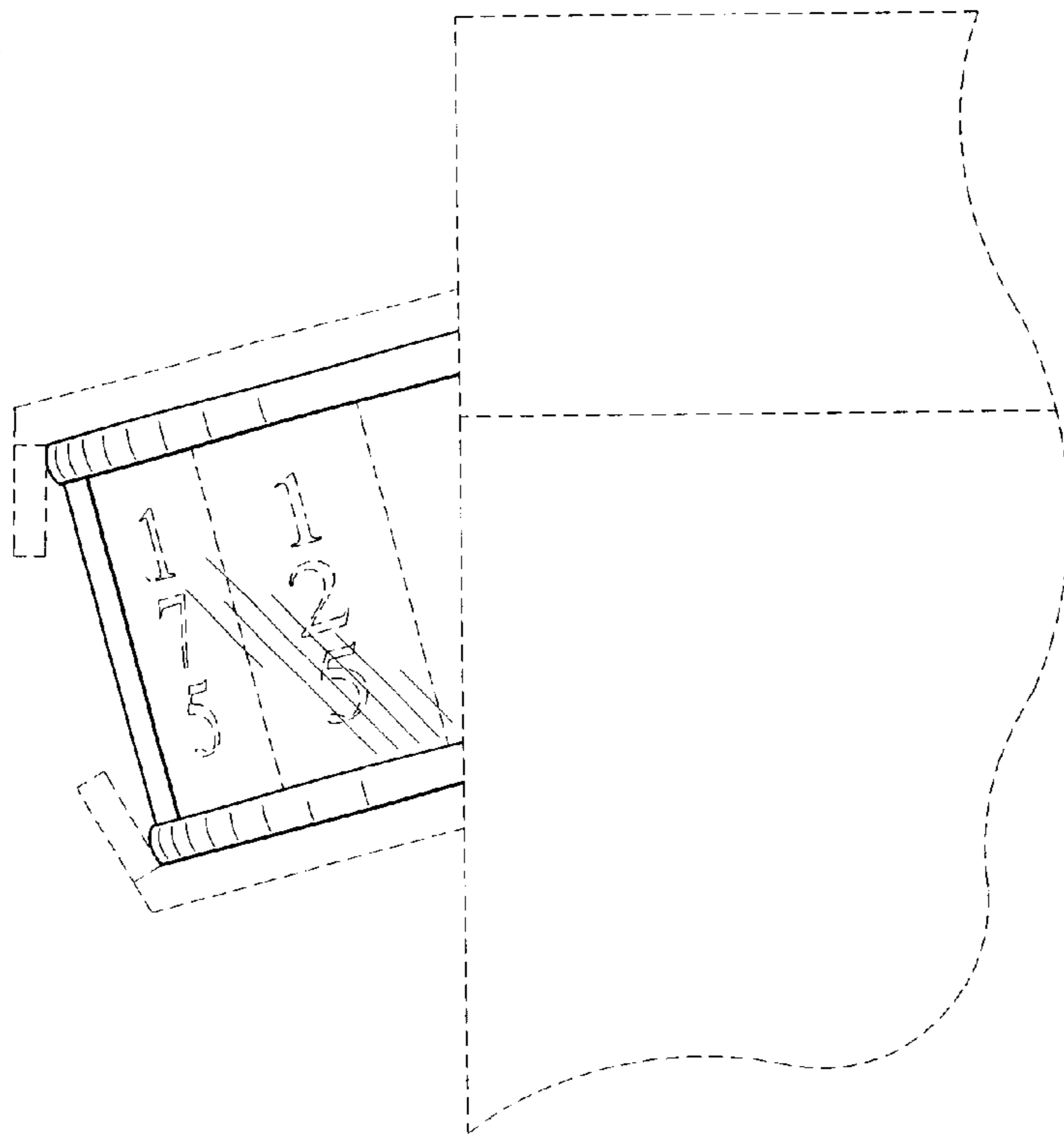
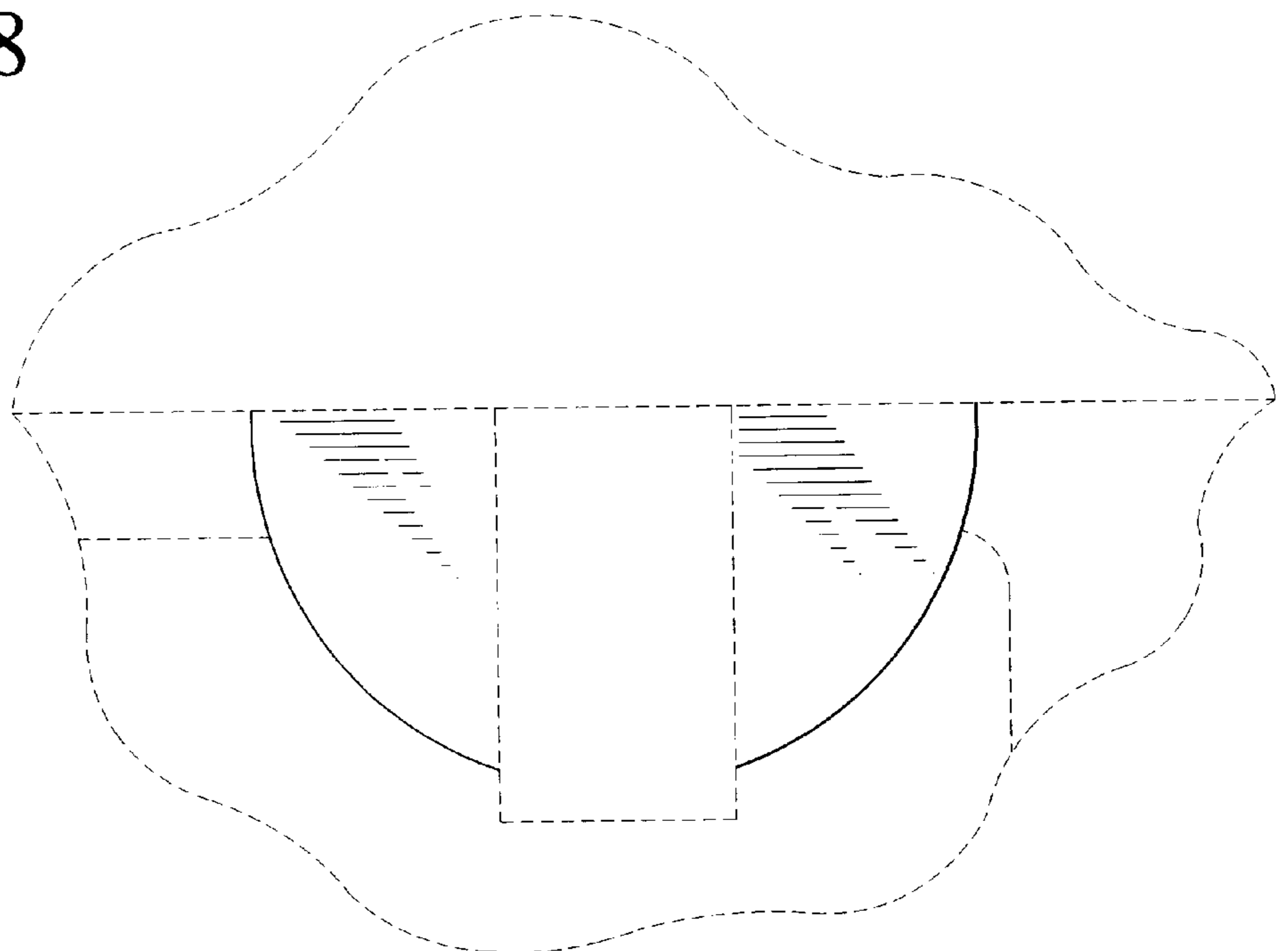


FIG. 28



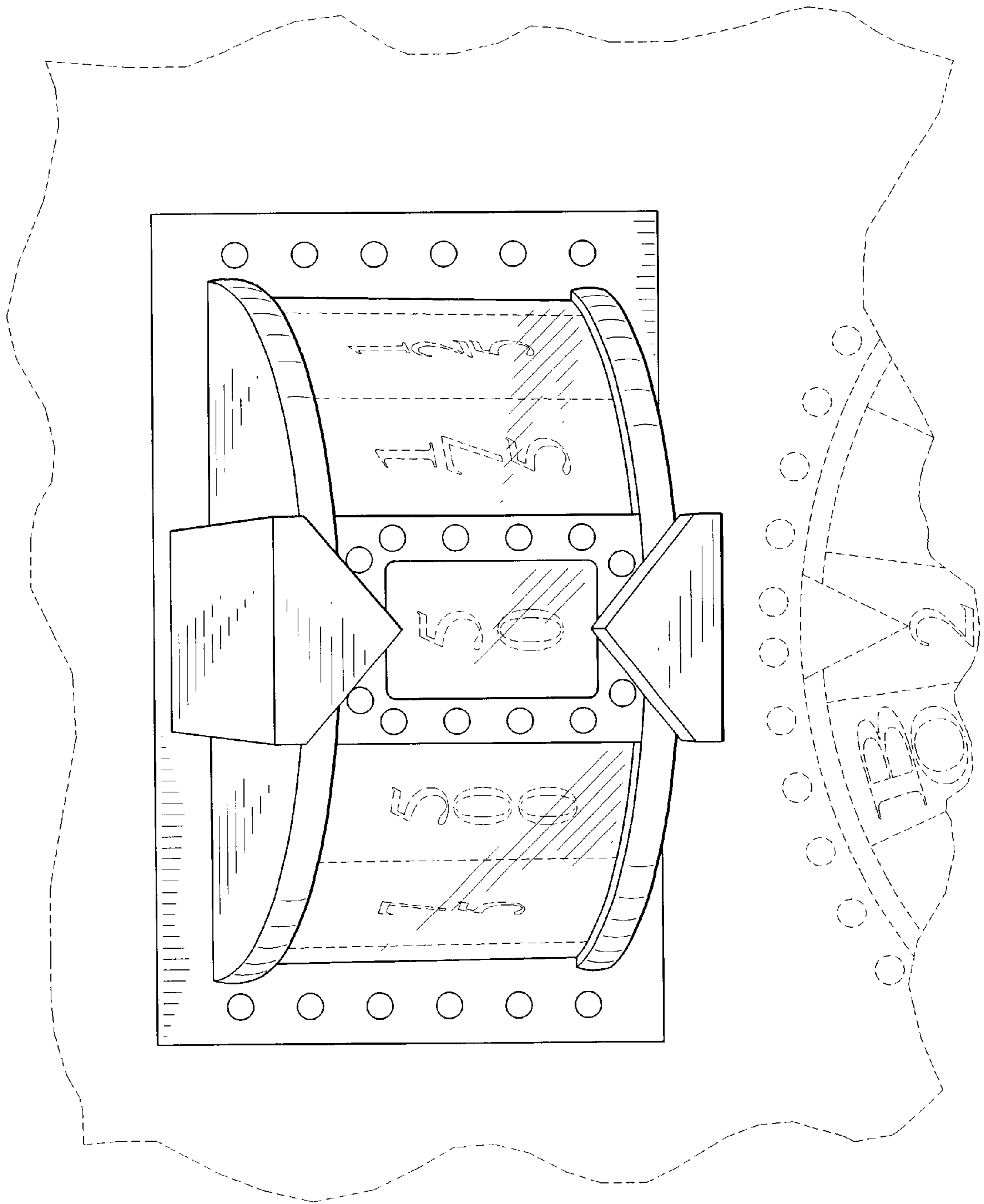


FIG. 29

FIG. 30

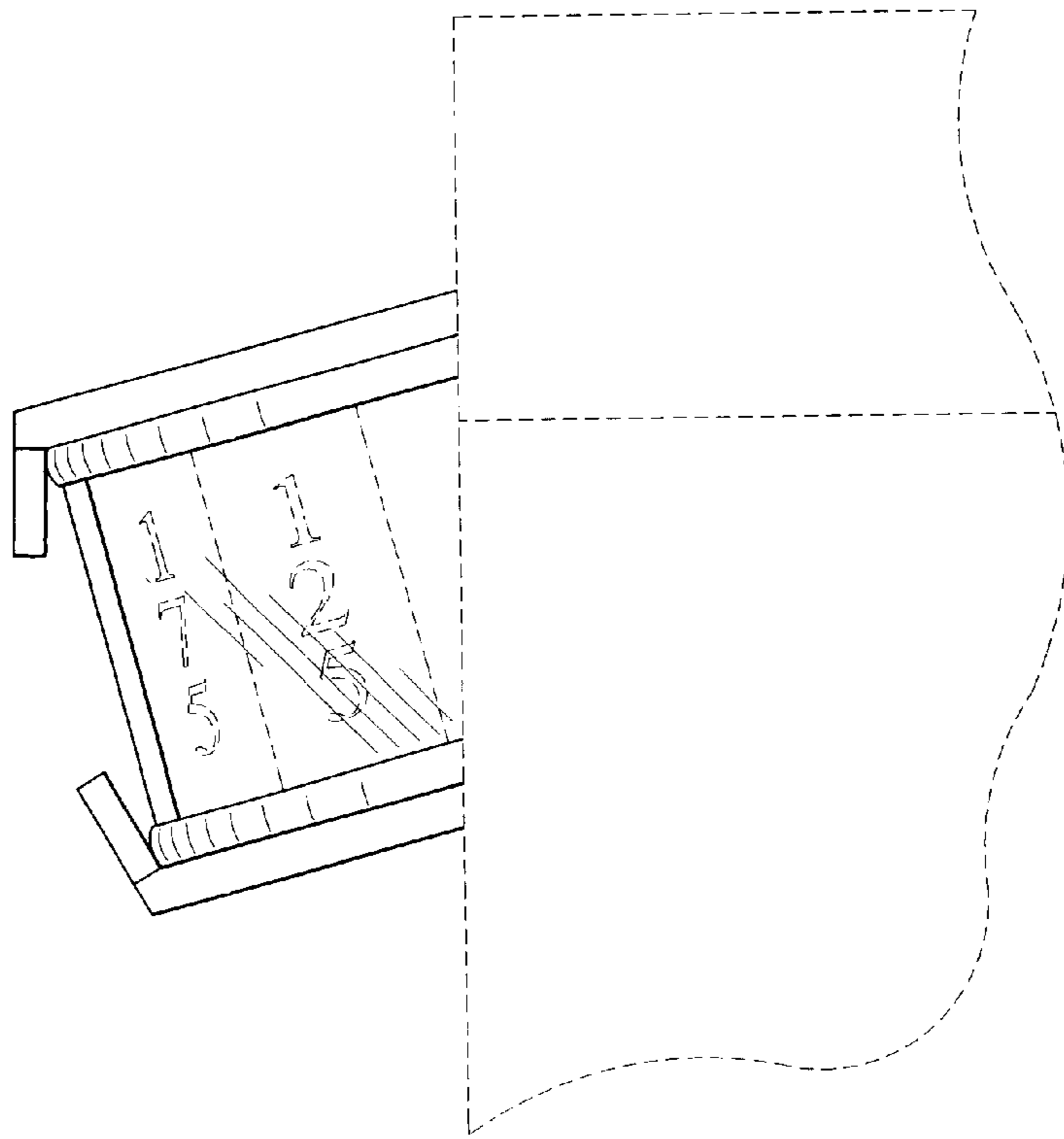


FIG. 31

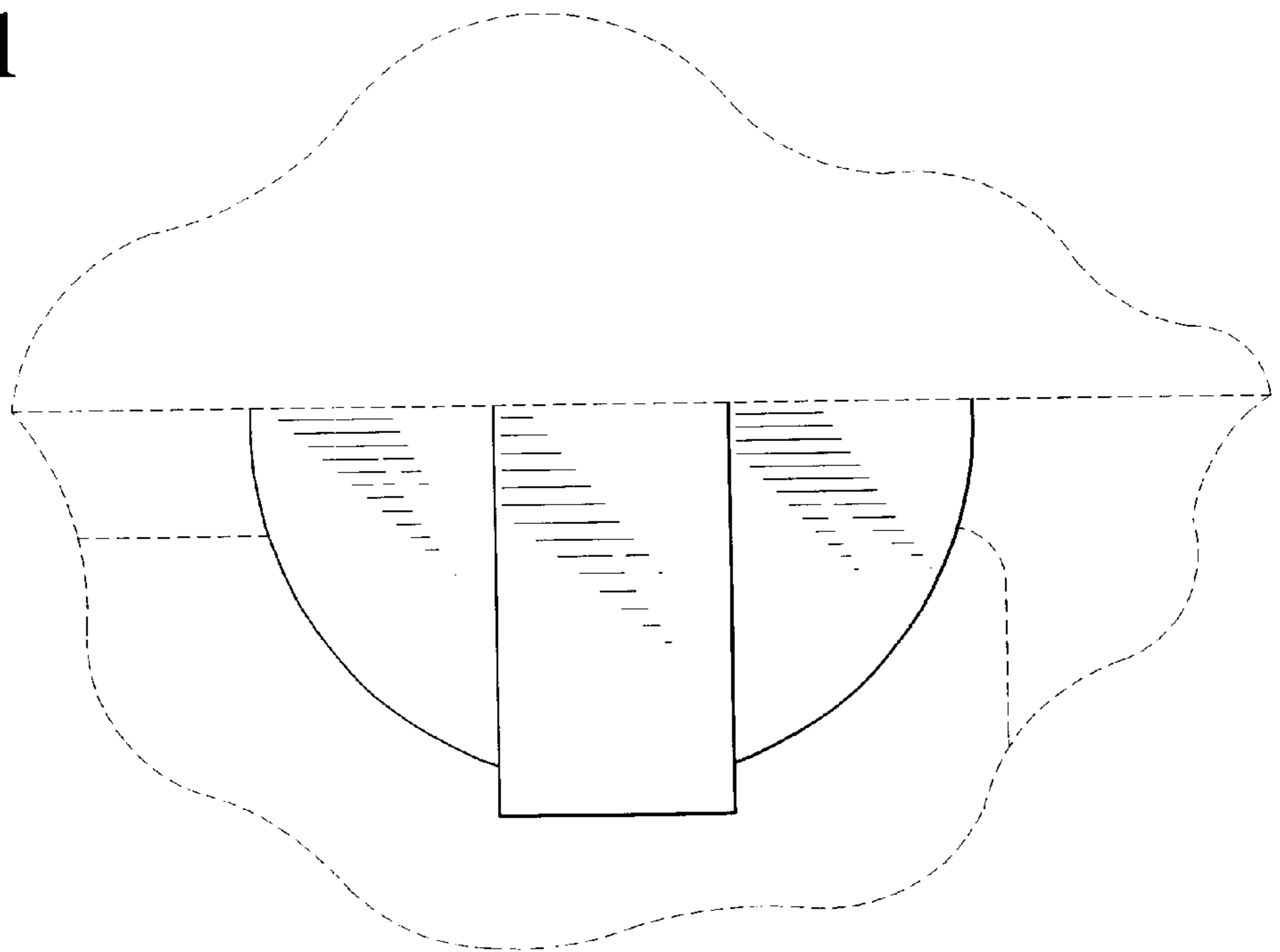




FIG. 32

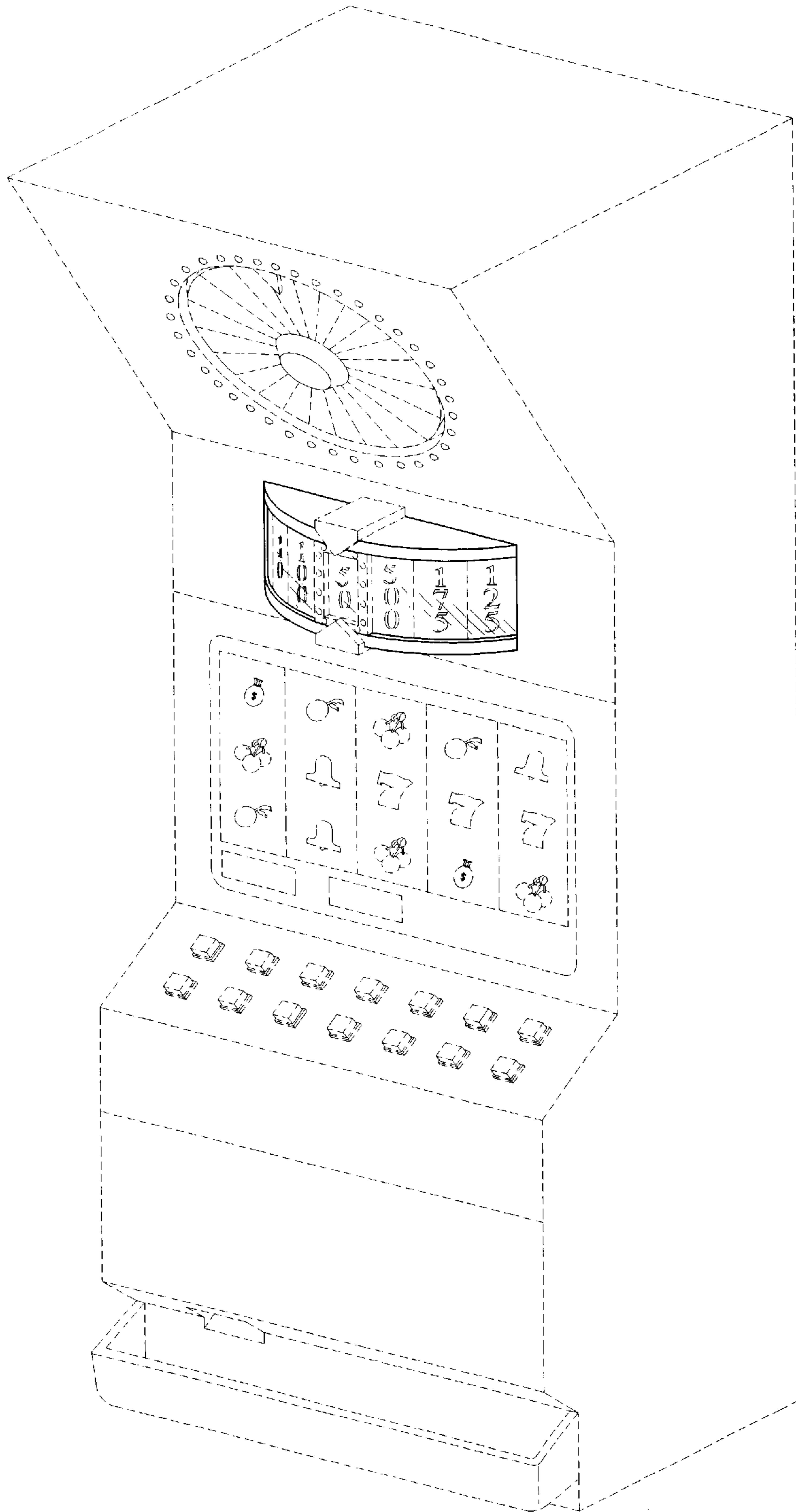


FIG. 33

